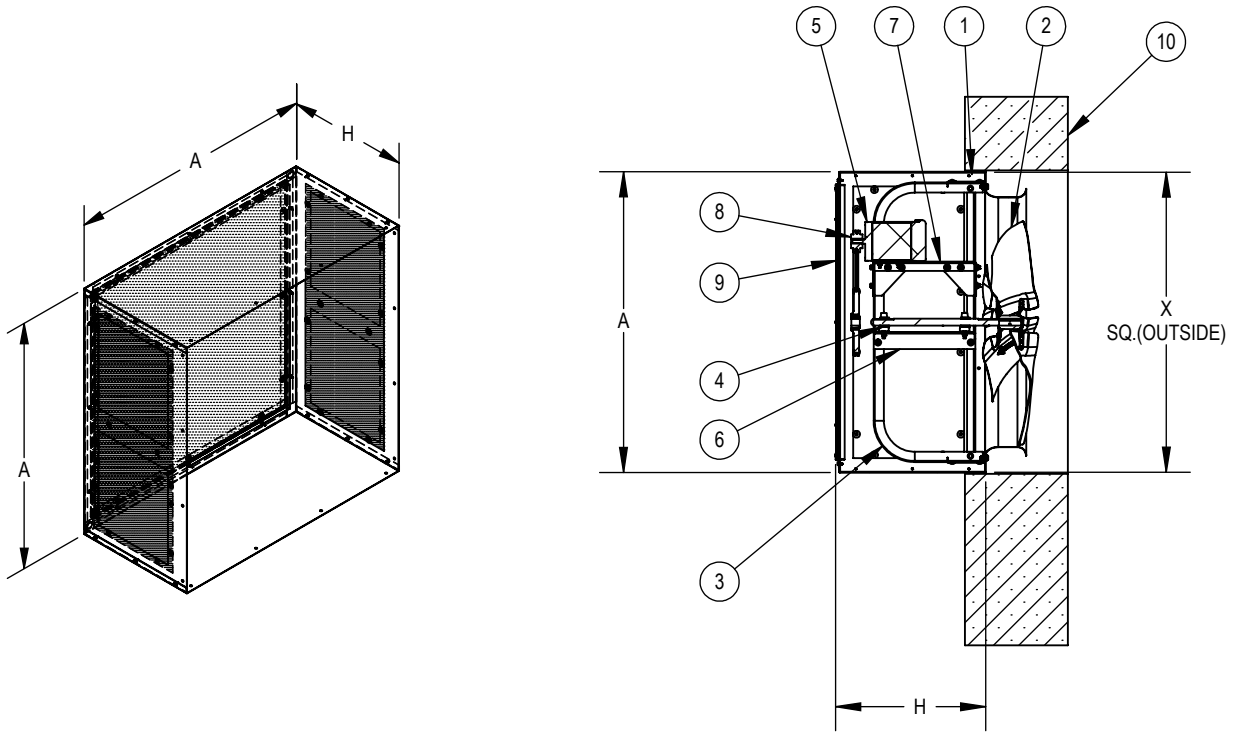


**LWP REAR GUARD  
 MODELS LWP 20 THRU LWP 60**



**LEGEND**

- |                      |                          |                               |
|----------------------|--------------------------|-------------------------------|
| 1 VENTURI PANEL      | 4 DRIVE SHAFT & BEARINGS | 7 MOTOR MOUNTING PLATE        |
| 2 PROPELLER          | 5 MOTOR                  | 8 PULLEYS                     |
| 3 STRUCTURE ASSEMBLY | 6 BEARING MOUNTING PLATE | 9 GALVANIZED STEEL REAR GUARD |
|                      |                          | 10 WALL (BY OTHERS)           |

**DIMENSIONAL DATA**

MODEL	X SQ(OUTSIDE)	A	H
20	26 5/16	25 5/8	17 7/8
24	32 5/16	31 5/8	17 7/8
30	38 5/16	37 5/8	21 3/4
36	44 5/16	43 5/8	21 3/4
42	50 5/16	49 5/8	21 3/4
48	56 5/16	55 5/8	22 1/2
54	62 5/8	61 9/16	24 1/8
60	68 5/8	67 9/16	24 3/8

ALL DIMENSIONS IN INCHES.

REVISION:

FORM:

REPLACES: