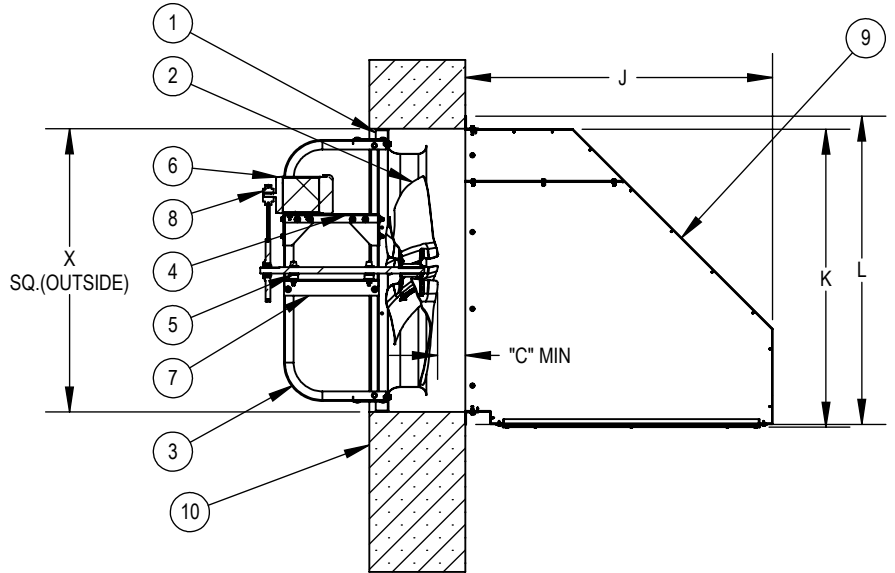
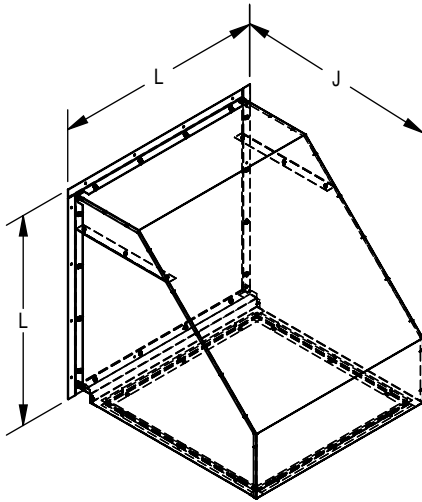


90 DEG WEATHER HOOD
 MODELS LWP 20 THRU LWP 60 (EXHAUST)



LEGEND

- | | | |
|------------------------|--------------------------|-------------------------|
| 1 VENTURI PANEL | 5 DRIVE SHAFT & BEARINGS | 9 WEATHER HOOD (90 DEG) |
| 2 PROPELLER | 6 MOTOR | 10 WALL (BY OTHERS) |
| 3 STRUCTURE ASSEMBLY | 7 BEARING MOUNTING PLATE | |
| 4 MOTOR MOUNTING PLATE | 8 PULLEYS | |

DIMENSIONAL DATA

MODEL	X SQ.(OUTSIDE)	J	L	K	"C" MIN
20	26 5/16	28 13/16	30 1/4	30 11/16	6
24	32 5/16	35 1/4	36 1/4	36 11/16	6
30	38 5/16	41 5/8	42 1/4	42 11/16	6
36	44 5/16	48	48 1/4	48 11/16	6
42	50 5/16	54 7/16	54 1/4	54 11/16	6
48	56 5/16	60 13/16	60 1/4	60 11/16	6
54	62 5/8	67 3/8	66 5/16	66 15/16	6
60	68 5/8	73 13/16	72 5/16	72 15/16	6

ALL DIMENSIONS IN INCHES.

REVISION:

FORM:

REPLACES: