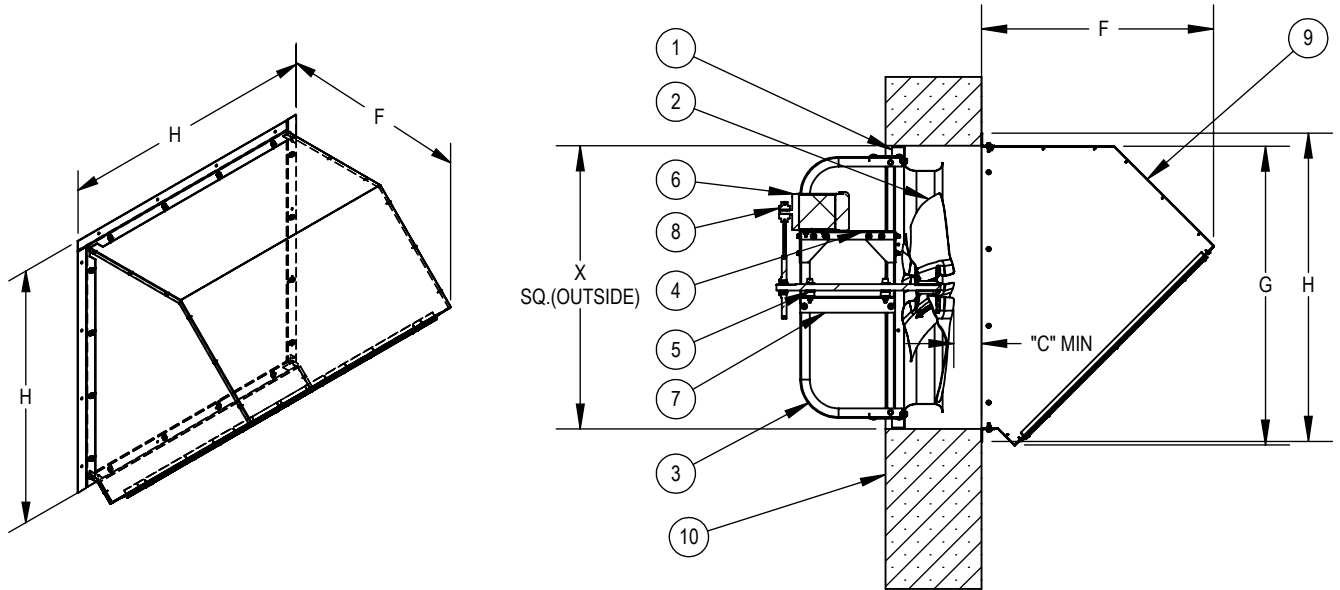


**45 DEG WEATHER HOOD
 MODELS LWP 20 THRU LWP 60 (EXHAUST)**



LEGEND

- | | | |
|------------------------|--------------------------|-------------------------|
| 1 VENTURI PANEL | 5 DRIVE SHAFT & BEARINGS | 9 WEATHER HOOD (45 DEG) |
| 2 PROPELLER | 6 MOTOR | 10 WALL (BY OTHERS) |
| 3 STRUCTURE ASSEMBLY | 7 BEARING MOUNTING PLATE | |
| 4 MOTOR MOUNTING PLATE | 8 PULLEYS | |

DIMENSIONAL DATA

MODEL	X SQ(OUTSIDE)	G	H	F	"C" MIN
20	26 5/16	28 11/16	30 1/4	23 9/16	6
24	32 5/16	34 7/8	36 1/4	27 15/16	6
30	38 5/16	40 3/4	42 1/4	32 1/16	6
36	44 5/16	46 4/5	48 1/4	36 3/8	6
42	50 5/16	52 4/5	54 1/4	40 5/8	6
48	56 5/16	58 4/5	60 1/4	44 7/8	6
54	62 5/8	64 15/16	66 5/16	49 1/4	6
60	68 5/8	71 1/8	72 5/16	53 5/8	6

ALL DIMENSIONS IN INCHES.

REVISION:

FORM:

REPLACES: