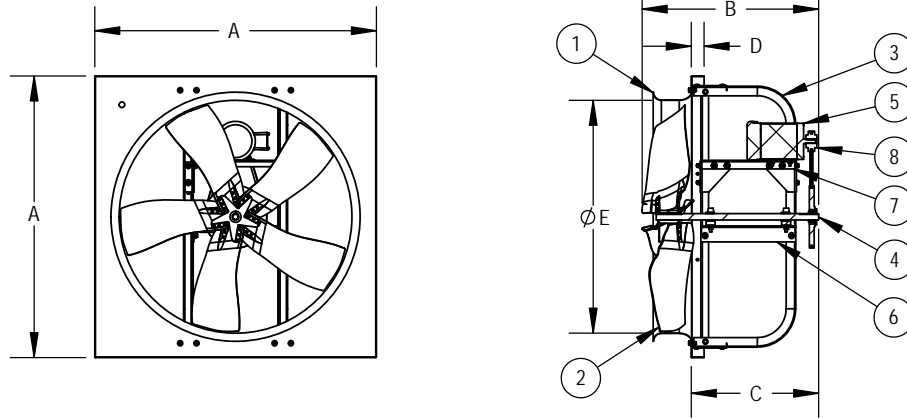


LWP LP PROPELLER MODELS 20 THRU 60



ALL DIMENSIONS IN INCHES.

DIMENSIONAL DATA

MODEL	A	B max	C	D	E
20	26.00	21.13	16.38	2.00	20.25
24	32.00	22.00	16.38	2.00	24.30
30	38.00	26.38	20.25	2.00	30.31
36	44.00	27.63	19.75	2.00	36.38
42	50.00	28.88	19.75	2.00	42.44
48	56.00	31.25	21.00	2.00	48.50
54	62.00	34.00	22.63	2.00	56.56
60	68.00	35.75	22.88	2.00	60.38

LEGEND

- | | | |
|--------------------------|--------------------------|------------------------|
| 1 VENTURI PANEL | 4 DRIVE SHAFT & BEARING | 7 MOTOR MOUNTING PLATE |
| 2 LOW PRESSURE PROPELLER | 5 MOTORS | 8 MOTOR & FAN PULLEY |
| 3 STRUCTURE ASSEMBLY | 6 BEARING MOUNTING PLATE | |

FEATURES

- Galvanized Steel Construction
- AMCA certified Air and Sound Performance.
- Exhaust or Supply applications.
- All propellers statically and dynamically balanced.
- Complies with AMCA Standard 204-96.
- UL 705 Certified

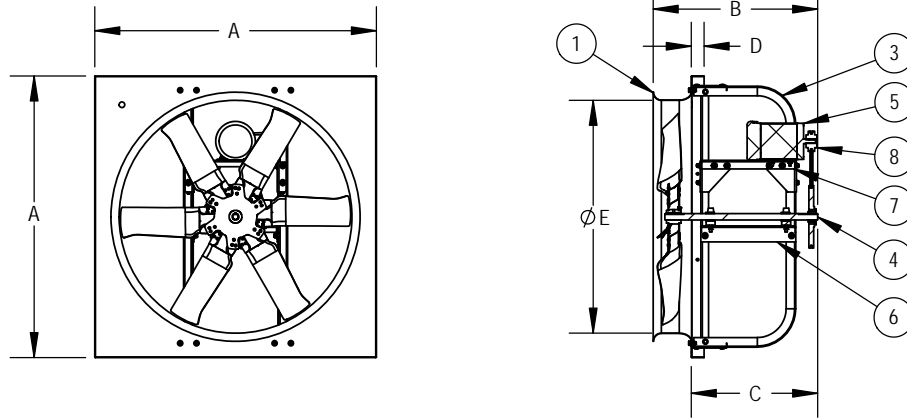
OPTIONS

REVISION:

FORM:

REPLACES:

LWP HP PROPELLER MODELS 20 THRU 60



ALL DIMENSIONS IN INCHES.

DIMENSIONAL DATA

MODEL	A	B max	C	D	E
20	26.00	20.75	16.38	2.00	20.25
24	32.00	21.25	16.38	2.00	24.30
30	38.00	25.13	20.25	2.00	30.31
36	44.00	25.75	19.75	2.00	36.38
42	50.00	26.63	19.75	2.00	42.44
48	56.00	29.00	21.00	2.00	48.50
54	62.00	31.50	22.63	2.00	56.56
60	68.00	32.88	22.88	2.00	60.38

LEGEND

- | | | |
|--------------------------|--------------------------|------------------------|
| 1 VENTURI PANEL | 4 DRIVE SHAFT & BEARING | 7 MOTOR MOUNTING PLATE |
| 2 LOW PRESSURE PROPELLER | 5 MOTORS | 8 MOTOR & FAN PULLEY |
| 3 STRUCTURE ASSEMBLY | 6 BEARING MOUNTING PLATE | |

FEATURES

- Galvanized Steel Construction
- AMCA certified Air and Sound Performance.
- Exhaust or Supply applications.
- All propellers statically and dynamically balanced.
- Complies with AMCA Standard 204-96.
- UL 705 Certified

OPTIONS

REVISION:

FORM:

REPLACES: