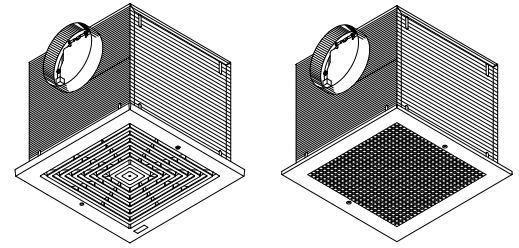




PENNBARRY™

SPECIFICATION SHEET

CEILING MOUNT VENTILATORS ZQ105 & ZQ155 SERIES



FEATURES

GRILLE:

- Conceals interior
- Low profile styling blends with any decor
- White polymeric

BLOWER:

- Low RPM for quiet operation
- Resilient anti-vibration mounts
- Dynamically-balanced, polymeric, centrifugal blower wheel for quiet, efficient performance
- Permanently lubricated, thermally protected motor
- Plug-in motor rated at 120 VAC
- Designed for continuous operation

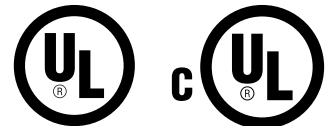
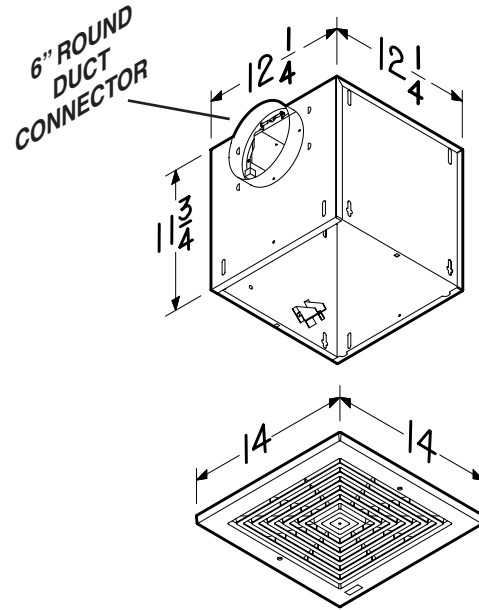
HOUSING:

- Rugged, 20 gauge galvanized steel
- 6" round duct connector
- 1/2" acoustic insulation inside
- May be installed in ceiling or wall (size permitting)
- 8-position mounting brackets for easy installation and greater adaptability to various mounting requirements
- Automatic backdraft damper located within duct connector
- Factory-shipped in horizontal discharge position - easily converted to vertical discharge

ACCESSORIES (purchase all separately):

- SC100W 3-Amp, Electronic Variable Speed Control
- Model CD60W 60-Minute Time Control
- Model 961L In-line Adapter Kit
- Model RD1 Radiation Damper
- Model 80L Electronic Speed Control (Internal)

DIMENSIONS



These units are UL listed for use over bathtubs and showers when connected to a GFCI-protected branch circuit.

PennBarry | 605 Shiloh Rd. Plano, TX 75074 | 1 972-212-4700 | www.pennbarry.com

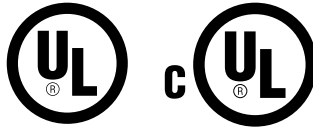
| REFERENCE | QTY. | REMARKS | Project |
|-----------|------|---------|--|
| | | | Location |
| | | | Architect |
| | | | Engineer |
| | | | Contractor |
| | | | Submitted by Date |

PERFORMANCE RATINGS - CEILING MOUNT VENTILATORS ZQ105 & ZQ155 SERIES

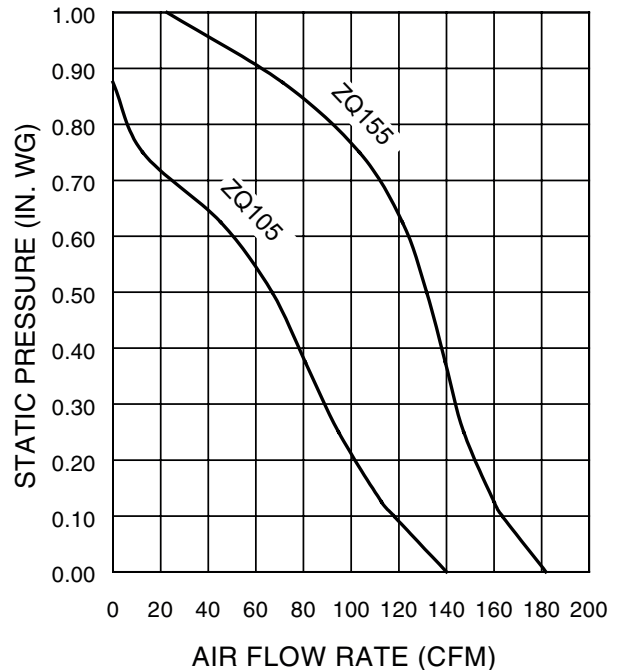
AMCA LICENSED PERFORMANCE

| CFM / SONES - AT STATIC PRESSURES (Ps - inches of H ₂ O) | | | | | | | | | | | | | | | | |
|---|-----------------|------------|------------|------------|-------------|-------------|-------------|------------|-------------|-------------|-------------|------------|-------------|-------------|-------|----|
| MODEL NO. | NOMINAL VOLTAGE | | 0.0" Ps | .10" Ps | .125" Ps | .250" Ps | .375" Ps | .50" Ps | .625" Ps | .750" Ps | .875" Ps | 1.0" Ps | NOMINAL RPM | AMPS @60 Hz | WATTS | |
| ZQ105 | 120 VAC | CFM Hor. | 136 | 115 | 109 | 93 | 80 | 65 | 44 | 12 | | | 640 | 1.1 | 87 | |
| | | SONES Hor. | 0.5 | 0.8 | 0.9 | 1.3 | 1.8 | 2.3 | 3.0 | 3.2 | | | | | | |
| | | CFM Ver. | 138 | 117 | 112 | 94 | 80 | 67 | 46 | 13 | | | | 650 | 1.1 | 87 |
| | | SONES Ver. | 0.7 | 0.9 | 1.0 | 1.3 | 1.8 | 2.2 | 2.8 | 3.0 | | | | | | |
| ZQ155 | 120 VAC | CFM Hor. | 181 | 161 | 157 | 141 | 132 | 124 | 114 | 94 | 62 | | 710 | 1.3 | 100 | |
| | | SONES Hor. | 1.3 | 1.4 | 1.5 | 2.2 | 2.6 | 3.1 | 3.6 | 4.1 | 4.6 | | | | | |
| | | CFM Ver. | 179 | 163 | 160 | 149 | 142 | 133 | 122 | 105 | 73 | 23 | 750 | 1.3 | 100 | |
| | | SONES Ver. | 1.4 | 1.6 | 1.6 | 2.0 | 2.5 | 3.0 | 3.3 | 3.6 | 3.9 | 4.2 | | | | |

Performance ratings include the effects of inlet grille and backdraft damper in the airstream. Speed (RPM) shown is nominal. Performance is based on actual speed of test. The sound ratings shown are loudness values in fan sones at 5' (1.5m) in a hemispherical free field calculated per AMCA Std. 301. Values shown are for Installation Type B: Free inlet fan sone levels. Performance shown is for Installation Type B: Free inlet, Ducted outlet.



These units are UL listed for use over bathtubs and showers when connected to a GFCI-protected branch circuit.



WEIGHT

| MODEL NO. | SHIPPING WT. |
|-----------|--------------|
| ZQ105 | 22.8 lbs. |
| ZQ155 | 23.1 lbs. |