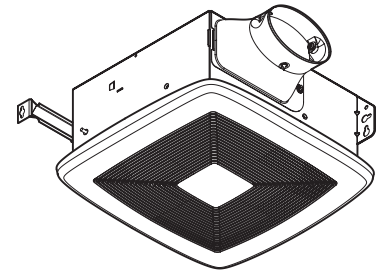




PENN BARRY™

# SPECIFICATION SHEET

## MODEL ZQ85 VENTILATION FAN



### FEATURES

#### BLOWER:

- Plug-in, permanently lubricated motor - engineered for continuous operation
- Dynamically balanced centrifugal blower wheel for quiet, efficient performance
- Low RPM for quiet operation

#### HOUSING:

- Rugged, galvanized steel construction
- Metal, 4" oval duct connector with no metallic clatter
- Includes 4" oval to 3" round duct reducer
- 4" height allows for 2" x 4" wall or ceiling installation
- Sturdy, easy, mounting directly to stud or joist
- Can be mounted in flat ceilings, sloped ceilings up to 12/12 pitch, and walls

#### GRILLE:

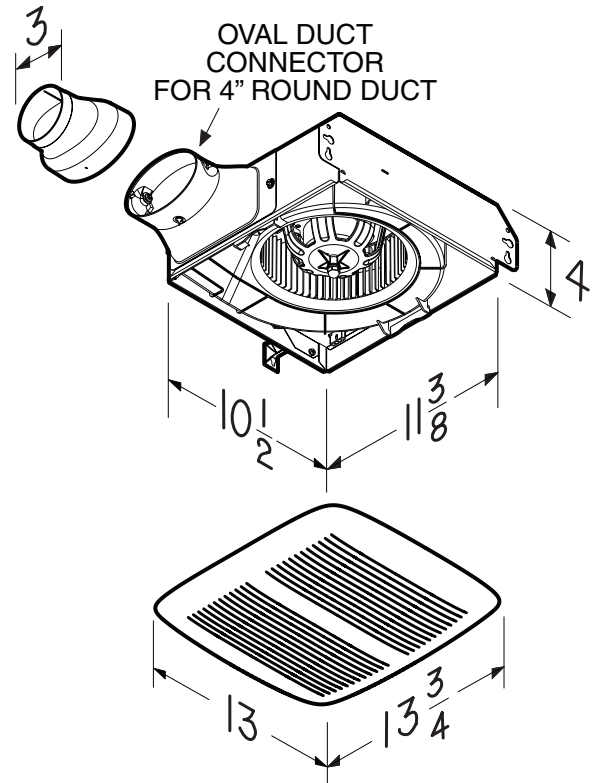
- Polymeric construction
- Innovative design - the result of extensive research with designers and consumers

#### CONTROLS (Purchase separately):

- Refer to PennBarry's catalog for a complete line of accessories to effectively adapt this fan to your construction requirements.

U.L. Listed for use over bathtubs and showers when connected to a GFCI protected branch circuit (ceiling mount only).

### DIMENSIONS



PennBarry | 605 Shiloh Rd. Plano, TX 75074 | 1 972-212-4700 | www.pennbarry.com

REFERENCE	QTY.	REMARKS	Project
			Location
			Architect
			Engineer
			Contractor
			Submitted by <span style="float: right;">Date</span>

# PERFORMANCE RATINGS

## MODEL ZQ85

### VENTILATION FAN

#### AMCA PERFORMANCE

4" Duct			3" Duct				
0.1 Ps - Static Pressure (inH <sub>2</sub> O)			0.25 Ps	0.1 Ps - Static Pressure (inH <sub>2</sub> O)			0.25 Ps
Airflow (CFM)	Sound (Sones)	Power (Watts)	Airflow (CFM)	Airflow (CFM)	Sound (Sones)	Power (Watts)	Airflow (CFM)
80	1.0	25.7	61	70	1.3	25.0	55

#### AMPS

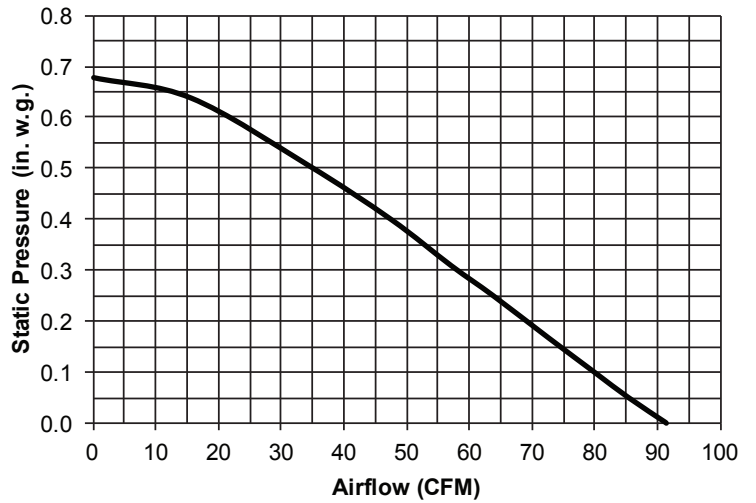
Model	Amps
ZQ85	0.3

#### WEIGHT

Model	Shipping Weight
ZQ85	9.0 lbs.

#### AIR FLOW PERFORMANCE

MODEL ZQ85 - 4" DUCT



MODEL ZQ85 - 3" DUCT

