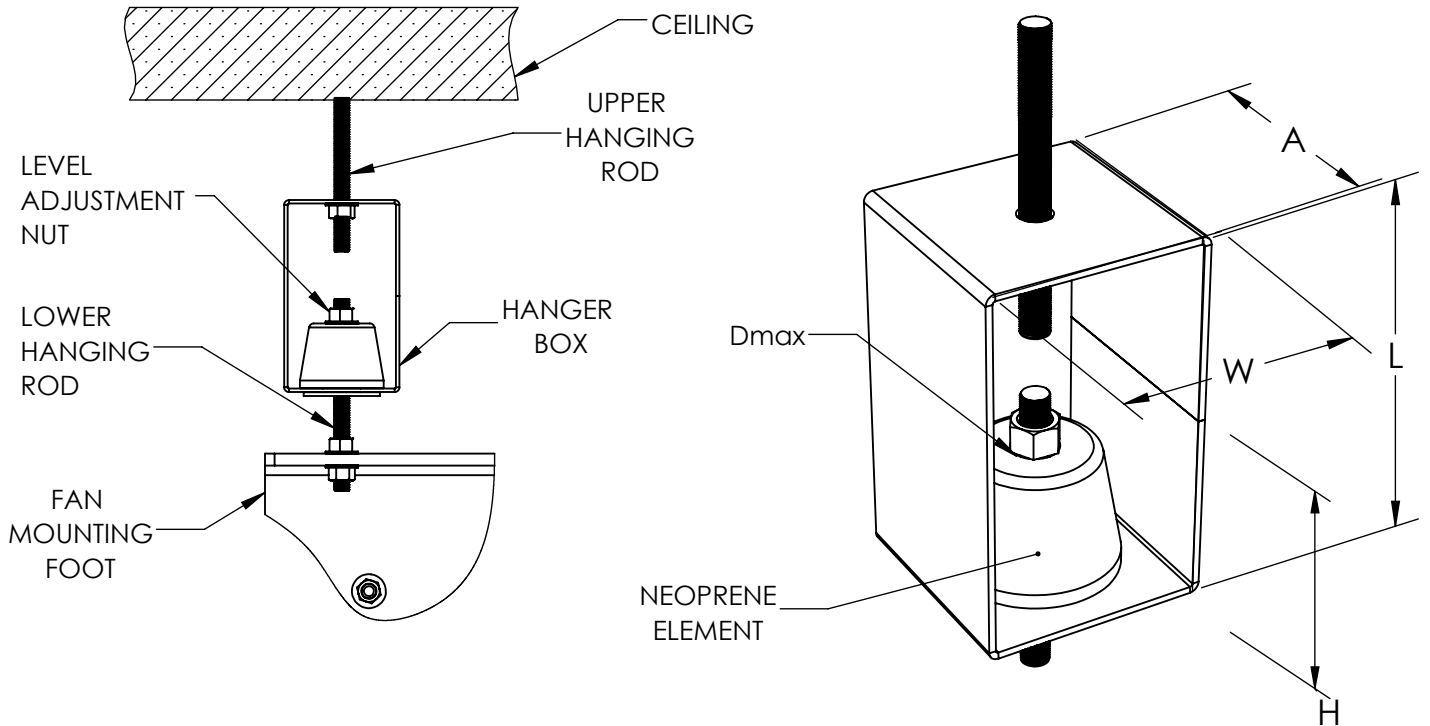


**MXI-LEVEL 2, ISOLATOR-CEILING HUNG,
 RUBBER IN SHEAR**



INSTALLATION INSTRUCTIONS-

1. LOCATE EACH HANGER IN POSITION USING DRAWING. ATTACH HANGER BOX TO UPPER HANGING ROD.
2. ROD AND FAN TO LOWER HANGING ROD.
3. IF NECESSARY ADJUST FAN LEVEL USING LEVEL ADJUSTMENT NUT.
4. CHECK ALIGNMENT BETWEEN LARGER HOLE ON BOTTOM OF HANGER BOX AND LOWER HANGING ROD.

DIMENSIONAL DATA

LEVEL 2 SIZES	RATED LOAD(lbs)	RATED DEFLECTION(in)	A	Dmax	H	L	W
122-150	125	0.04	1 1/2	3/8	7/16	2 3/4	2 1/8
165	175	0.35	2 1/4	3/4	1 5/8	5 15/16	3 1/8
182-222	300	0.53	2 1/4	3/4	1 5/8	5 15/16	3 1/8
245-270	450	0.55	2 1/4	3/4	1 5/8	5 15/16	3 1/8
300-330	700	0.57	3 5/8	7/8	2	8 9/16	5 9/16
365-445	1100	0.46	3 5/8	7/8	2	8 9/16	5 9/16
490-600	2000	0.53	3 5/8	7/8	2	8 9/16	5 9/16

ALL DIMENSIONS ARE IN INCHES