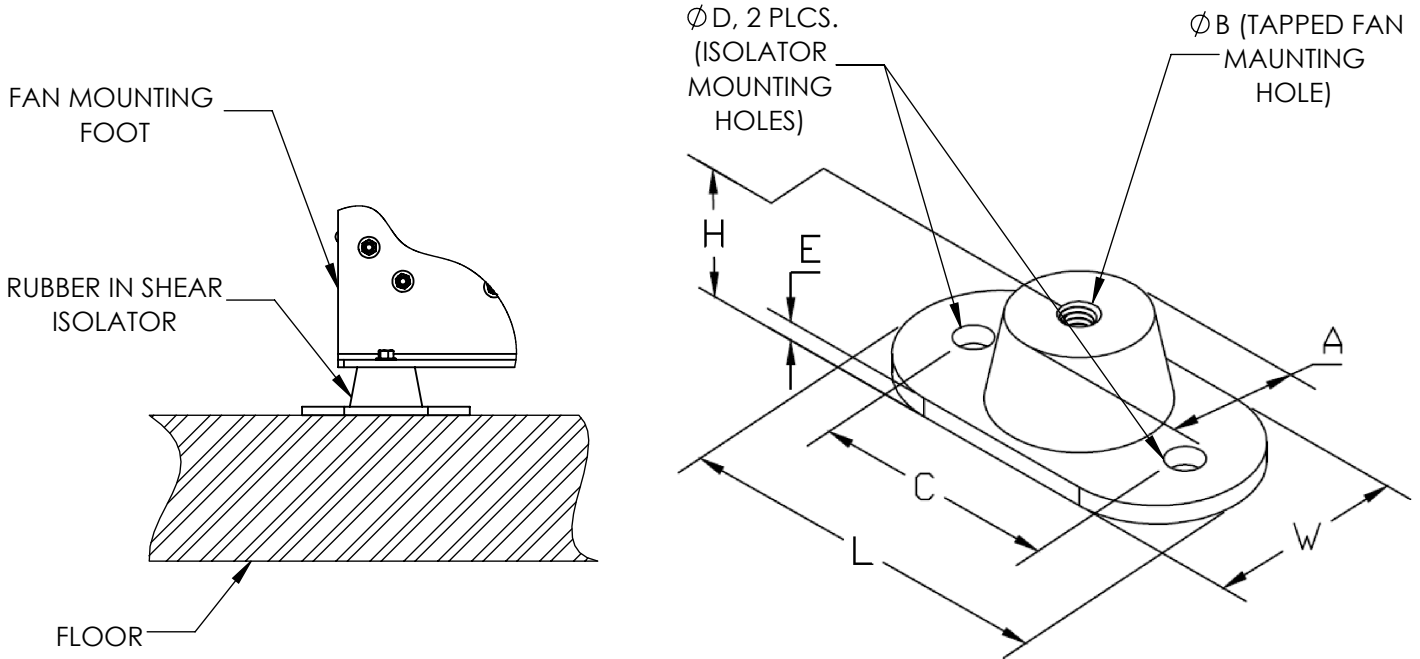


**MXI-LEVEL 2, ISOLATOR-BASE MOUNT,  
 RUBBER IN SHEAR**



**INSTALLATION INSTRUCTIONS-**

1. JACK UP FAN TO BE ISOLATED, HIGH ENOUGH TO PLACE RUBBER MOUNT UNDER FAN MOUNTING FEET.
2. ATTACH RUBBER MOUNT TO FAN MOUNTING FEET WITH BOLT AND WASHER, NUT IS NOT NEEDED AS FAN MOUNTING HOLE IS THREADED.
3. ROTATE RUBBER MOUNT AS REQUIRED TO ENSURE ISOLATOR MOUNTING HOLES ARE ACCESSIBLE AFTER MOUNTING TO FAN.

**DIMENSIONAL DATA**

LEVEL 2 SIZE	RATED LOAD(lbs)	RATED DEFLECTION(in)	A	B	C	D	E	H	L	W
<b>122</b>	125	0.40	1 1/4	5/16	2 3/8	5/16	3/16	1 1/2	3 3/16	1 13/16
<b>135-165</b>	120	0.50	1 3/4	3/8	3	5/16	1/4	1 3/4	3 7/8	2 3/8
<b>182-200</b>	220	0.50	1 3/4	3/8	3	5/16	1/4	1 3/4	3 7/8	2 3/8
<b>222-245</b>	375	0.50	1 3/4	3/8	3	5/16	1/4	1 3/4	3 7/8	2 3/8
<b>270-330</b>	600	0.50	2 1/2	1/2	4 1/8	9/16	1/4	2 1/2	5 1/2	3 1/4
<b>365-445</b>	1100	0.50	2 1/2	1/2	4 1/8	9/16	1/4	2 1/2	5 1/2	3 1/4
<b>490-600</b>	2250	0.50	3 3/4	1/2	5	9/16	3/8	2 3/4	6 1/4	4 5/8

ALL DIMENSIONS ARE IN INCHES