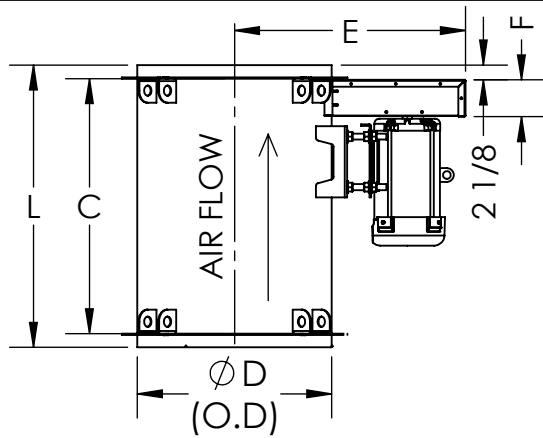


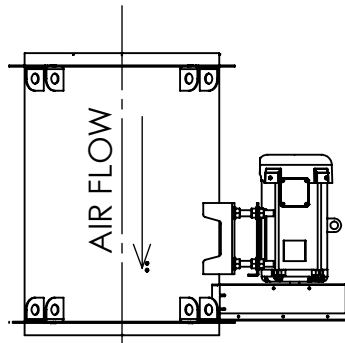


DATE: TAG:  
 JOB:  
 PROJECT:  
 COMPANY:  
 SALES PERSON:

MXI-ARRANGEMENT-9, LEVEL 2,  
 VERTICAL DISCHARGE



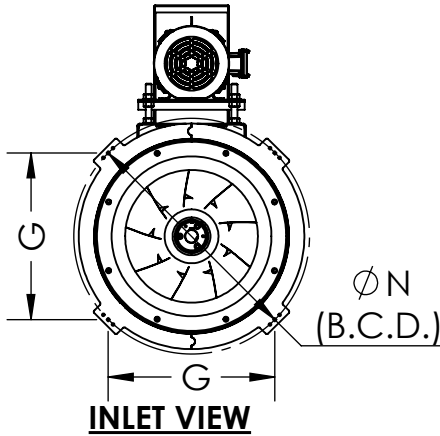
**VERTICAL UPBLAST**



**VERTICAL DOWNBLAST**

**Standard Construction:**

1. High Efficiency Welded Mixed Flow Wheel
2. Welded Guide Vanes
3. Bearing Tunnel
4. Bearing- L10 Life of 80K Hours
5. Adjustable or Constant Drive Kit
6. Adjustable Motor Base
7. Belt Guard
8. 1045 TG&P Shaft
9. Extended Lube Lines



**INLET VIEW**

**Accessories:**

1. Bearing- L10 Life of 200K Hours (Excludes MXI-AF.)
2. AMCA B Spark Resistant Construction
3. AMCA C Spark Resistant Construction
4. Mounting Rails
5. Vibration Isolators
6. Belt Tunnel
7. Motor/Weather Cover
8. Piezo Ring
9. Disconnect Switch
10. Access Door- Hinged or Bolted
11. Copper Lube Lines
12. Shaft Seal
13. Inlet and/or Outlet Flange
14. Inlet and/or Outlet Guard
15. Companion Flange
16. Drain
17. Flexible Duct Connector

**DIMENSIONAL DATA**

Size	C	D	E	F	G	L	N	MAX MTR FRAME SIZE	MXI FAN WEIGHT (LESS MOTOR) (LBS)	MXI-AF FAN WEIGHT (LESS MOTOR) (LBS)
122	21 1/2	17 15/16	25 1/2	3 7/16	16 13/16	25 1/8	23 3/4	184T	236	237
135	24 3/16	19 13/16	26 3/4	3 3/4	18 1/8	27 13/16	25 5/8	184T	271	270
150	27 1/4	21 15/16	28 1/4	4 1/8	19 11/16	30 7/8	27 13/16	215T	320	324
165	30 3/8	23 7/16	29 7/8	4 1/2	20 3/4	33 15/16	29 3/8	215T	358	363
182	33 7/8	25 13/16	31 13/16	4 15/16	22 1/2	37 7/16	31 13/16	256T	468	473
200	37 9/16	28 3/8	33 11/16	5 3/8	24 5/16	41 3/16	34 3/8	256T	546	550
222	42 1/16	31 7/16	35 5/8	5 15/16	27 1/8	45 11/16	38 3/8	256T	673	666
245	46 13/16	34 11/16	38 7/8	6 1/2	29 7/16	50 7/16	41 9/16	286T	796	792
270	51 15/16	38 3/16	41 5/16	7 3/16	31 15/16	55 9/16	45 3/16	286T	936	945
300	58 1/8	42 7/16	42 13/16	7 15/16	35 5/8	61 3/4	50 6/16	286T	1154	1144
330	64 3/8	46 5/8	46 5/8	8 5/8	38 5/8	68	54 5/8	326T	1343	1355
365	71 1/2	51 5/8	52 1/4	9 9/16	42 1/8	75 1/8	59 9/16	365T	1878	1875
402	79 1/8	56 13/16	55 7/8	10 9/16	45 13/16	82 3/4	64 13/16	365T	2260	2218
445	88	62 7/8	59 5/8	11 5/8	50 13/16	91 5/8	71 7/8	405T	2732	2678
490	97 1/4	69 1/8	62 3/4	12 13/16	56 1/4	100 7/8	79 4/8	405T	3175	-
542	107 15/16	76 7/16	67 3/8	14 1/8	62 1/8	111 9/16	87 7/8	405T	3753	-
600	119 7/8	84 9/16	71 7/16	15 5/8	67 3/16	123 1/2	95 1/16	405T	4480	-

ALL DIMENSIONS ARE IN INCHES

REVISION: FORM: REPLACES: