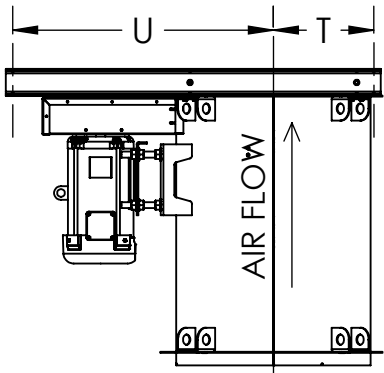
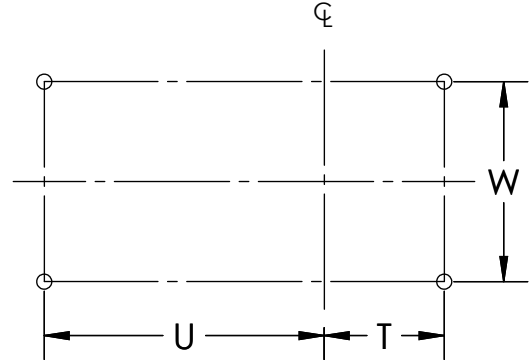


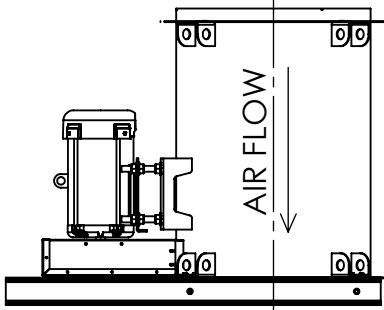
**MXI-ARRANGEMENT-9, LEVEL 2,  
 VERTICAL DISCHARGE, MOUNTING RAIL**



**VERTICAL CEILING HUNG**



**FOUNDATION PLAN VIEW**



**VERTICAL BASE MOUNT**

- **MOUNTING RAILS ARE NEEDED WHEN FAN WILL BE MOUNTED IN VERTICAL UPBLAST OR DOWNBLAST ARRANGEMENT EITHER CEILING HUNG OR BASE MOUNTED WITH USE OF ISOLATORS.**
- **MOUNTING RAILS TO BE SHIPPED LOOSE WITH HARDWARE.**
- **ISOLATORS ARE SUPPLIED AS PER ORDER**

**DIMENSIONAL DATA**

Size	T	U	W	MOUNTING RAIL SECTION	MXI FAN WEIGHT (LESS MOTOR) (LBS)	MXI-AF FAN WEIGHT (LESS MOTOR) (LBS)
122	10 7/8	29 1/2	26 3/4	C3 x 4.1	236	237
135	11 9/16	30 7/16	29 3/8	C3 x 4.1	271	270
150	12 5/16	32 15/16	30 15/16	C3 x 4.1	320	324
165	12 7/8	34 1/2	32	C3 x 4.1	358	363
182	13 3/4	38 7/8	33 15/16	C4 x 5.4	468	473
200	14 5/8	40	35 3/4	C4 x 5.4	546	550
222	17 1/16	41 9/16	41	C5 x 6.7	673	666
245	18 3/16	46 1/4	43 5/8	C6x 8.2	796	792
270	19 7/16	48	46 1/4	C6x 10.5	936	945
300	21 5/16	48 9/16	51 1/2	C6x 10.5	1154	1144
330	22 13/16	52 3/16	54 3/4	C8x11.5	1343	1355
365	24 9/16	58 3/8	60 1/4	C8x11.5	1878	1875
402	27 7/16	61 9/16	66 1/4	C10x15.3	2260	2218
445	29 7/8	67 11/16	71 7/8	C12x30	2732	2678
490	32 5/8	71 5/16	80 3/16	C12x30	3175	-
542	35 9/16	76 1/8	86 1/16	C12x30	3753	-
600	38 5/8	81 15/16	96 1/8	C12x30	4480	-

ALL DIMENSIONS ARE IN INCHES