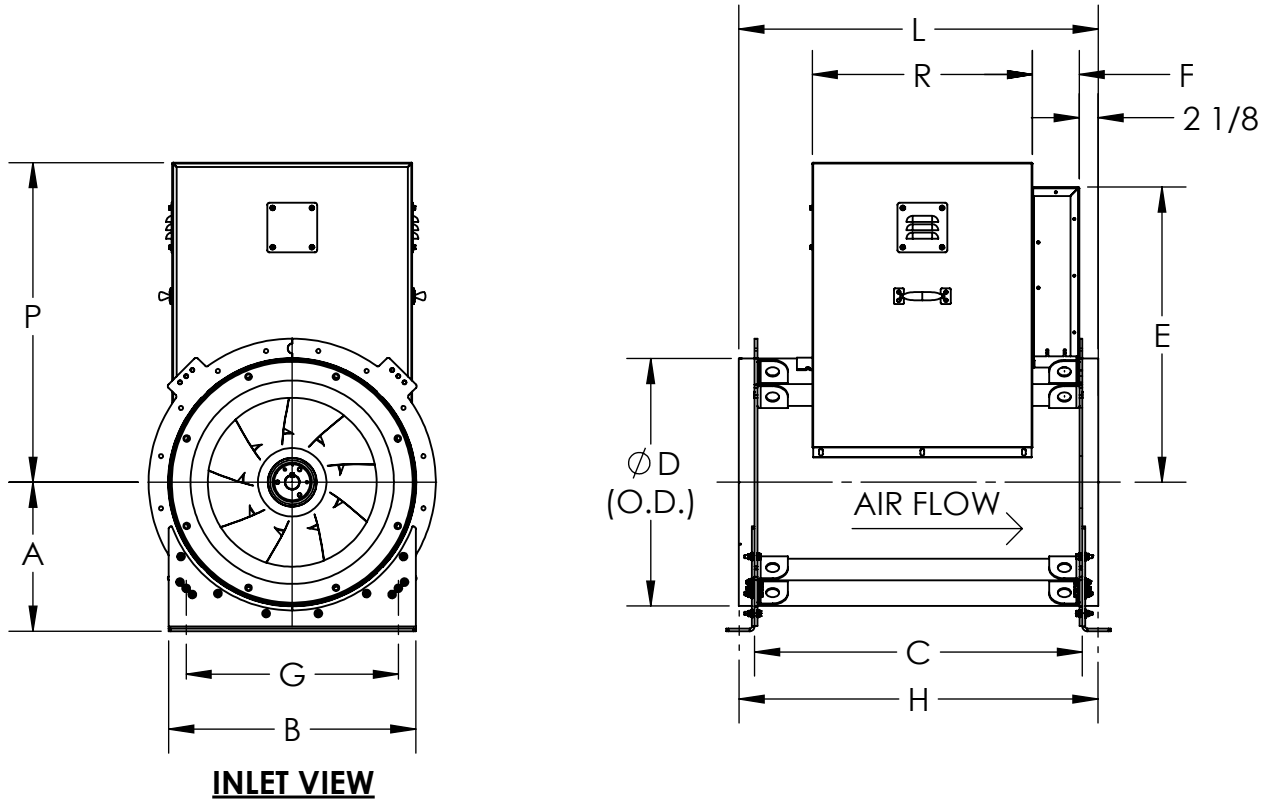




DATE: TAG:
 JOB:
 PROJECT:
 COMPANY:
 SALES PERSON:

MXI-ARRANGEMENT-9, LEVEL 2,
 WITH MOTOR COVER



DIMENSIONAL DATA

Size	A	B	C	D	E	F	G	H	L	P	R
122	12 11/16	20 13/16	21 1/2	17 15/16	25 1/2	3 7/16	16 13/16	25 1/4	25 1/8	27	15 7/8
135	14	22 1/8	24 3/16	19 13/16	26 3/4	3 3/4	18 1/8	28	27 13/16	27 15/16	15 13/16
150	14 3/4	23 11/16	27 1/4	21 15/16	28 3/16	4	19 11/16	31 1/16	30 7/8	30 15/16	20
165	15 5/16	24 3/4	30 3/8	23 7/16	29 13/16	4 1/2	20 3/4	34 1/8	33 15/16	31 11/16	20 1/16
182	16 3/16	26 1/2	33 7/8	25 13/16	31 13/16	4 15/16	22 1/2	37 5/8	37 7/16	35 3/8	24 13/16
200	17 1/16	28 5/16	37 9/16	28 3/8	33 11/16	5 7/16	24 5/16	41 5/16	41 3/16	36 5/8	25 1/4
222	19 5/8	32 1/8	42 1/16	31 7/16	35 5/8	6	27 1/8	45 7/8	45 11/16	38 3/16	25 1/4
245	20 7/8	34 7/16	46 13/16	34 11/16	38 7/8	6 9/16	29 7/16	52 1/16	50 7/16	41 9/16	27 3/8
270	22 1/8	36 15/16	51 15/16	38 3/16	41 3/8	7 1/4	31 15/16	57 1/4	55 9/16	42 11/16	27 3/8
300	24 3/4	40 5/8	58 1/8	42 7/16	43 13/16	8	35 5/8	63 7/16	61 3/4	45 7/16	27 3/8
330	26 1/4	43 5/8	64 3/8	46 5/8	46 5/8	8 11/16	38 5/8	69 5/8	68	49 3/4	30
365	29	47 5/8	71 1/2	51 5/8	52 3/16	9 11/16	42 1/8	77 1/16	75 1/8	54 1/16	31 7/8
402	31 7/8	51 1/8	79 1/8	56 13/16	55 13/16	10 9/16	45 13/16	84 11/16	82 3/4	56 11/16	31 7/8
445	34 5/16	56 5/16	88	62 7/8	59 9/16	11 3/4	50 13/16	93 1/2	91 5/8	62 3/16	36
490	38 1/2	63 3/4	97 1/4	69 1/8	62 3/4	12 7/8	56 1/4	104 1/4	100 7/8	65 5/16	36
542	41 7/16	69 5/8	107 15/16	76 7/16	67 3/8	14 1/4	62 1/8	115	111 9/16	68 15/16	35 13/16
600	46 1/2	76 3/8	119 7/8	84 9/16	71 7/16	15 3/4	67 3/8	126 15/16	123 1/2	73	36

ALL DIMENSIONS ARE IN INCHES

REVISION:

FORM:

REPLACES: