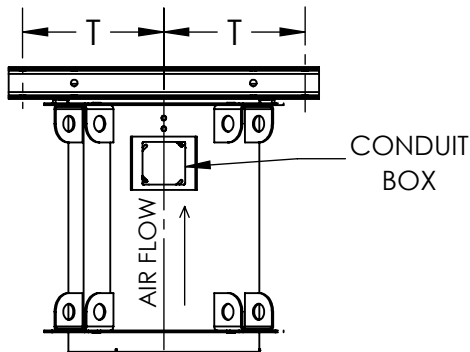
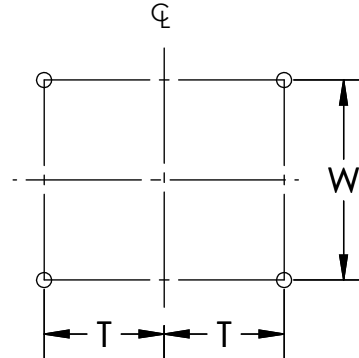


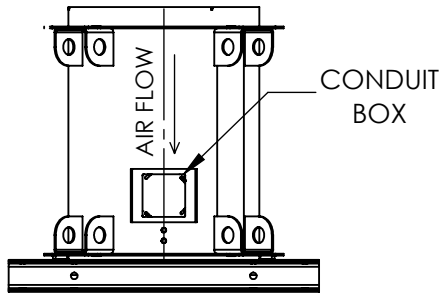
**MXI-ARRANGEMENT- 4, LEVEL 2,
 VERTICAL DISCHARGE, MOUNTING RAIL**



VERTICAL CEILING HUNG



FOUNDATION PLAN VIEW



VERTICAL BASE MOUNT

- **MOUNTING RAILS ARE NEEDED WHEN FAN WILL BE MOUNTED IN VERTICAL UPBLAST OR DOWNBLAST ARRANGEMENT EITHER CEILING HUNG OR BASE MOUNTED WITH USE OF ISOLATORS.**
- **MOUNTING RAILS TO BE SHIPPED LOOSE WITH HARDWARE.**
- **ISOLATORS ARE SUPPLIED AS PER ORDER**

DIMENSIONAL DATA

Size	T	W	MOUNTING RAIL SECTION	MAX MTR FRAME SIZE	MXI FAN WEIGHT (LESS MOTOR) (LBS)	MXI-AF FAN WEIGHT (LESS MOTOR) (LBS)
122	13 1/4	26 3/4	C3 x 4.1	145T	180	181
135	13 15/16	29 3/8	C3 x 4.1	145T	214	213
150	14 15/16	30 15/16	C3 x 4.1	145T	250	254
165	15 11/16	32	C3 x 4.1	184T	285	290
182	16 15/16	33 15/16	C4 x 5.4	215T	352	357
200	18 3/16	35 3/4	C4 x 5.4	256T	426	430
222	19 3/4	41	C5 x 6.7	256T	535	528
245	21 3/8	43 5/8	C6x 8.2	286T	636	632
270	23 1/8	46 1/4	C6x 10.5	326T	762	771
300	25 3/16	51 1/2	C6x 10.5	326T	937	927
330	27 5/16	54 3/4	C8x11.5	365T	1090	1102
365	29 3/4	60 1/4	C8x11.5	404T	1337	1334
402	32 3/8	66 1/4	C10x15.3	404T	1591	1549
445	35 3/8	71 7/8	C12x30	405T	1879	1825
490	38 9/16	80 3/16	C12x30	444T	2451	-
542	42 3/16	86 1/16	C12x30	445T	2903	-
600	46 1/4	96 1/8	C12x30	445T	3482	-

ALL DIMENSIONS ARE IN INCHES