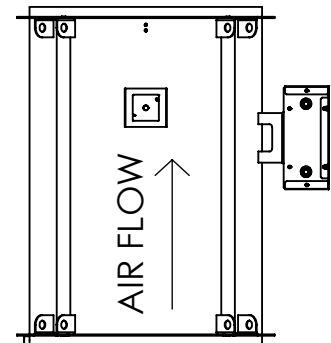
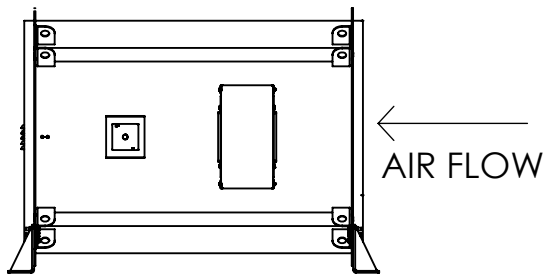
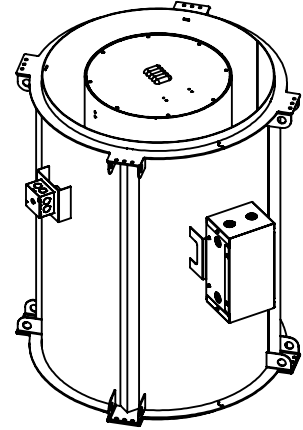
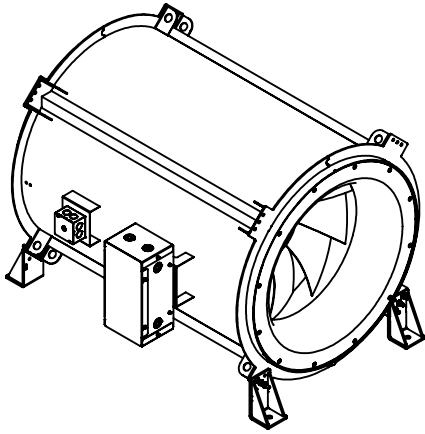


MXI-ARRANGEMENT - 4, ACCESSORY  
 SPEED CONTROLLER



HORIZONTAL DISCHARGE  
 BASE MOUNT/CEILING HUNG

VERTICAL DISCHARGE  
 UPBLAST OR DOWNBLAST

NOTE:

1. WIRING NOT SHOWN.
2. BOX SIZE AND SHAPE MAY VARY DEPENDING ON MOTOR SELECTION.
3. THIS DRAWING INTENDS TO SHOW EXAMPLE FOR POSITION OF CONDUIT BOX AND SPEED CONTROLLER IN DIFFERENT MOUNTING STYLES.
4. SPEED CONTROLLER CAN BE RELOCATED AS PER THE REQUIREMENT OF END USER.
5. CONDUIT BOX TO MEET OR EXCEED RATINGS OF SPEED CONTROLLER TYPE [INDOOR(IP20)OR OUTDOOR(NEMA3R)]

ALL DIMENSIONS ARE IN INCHES