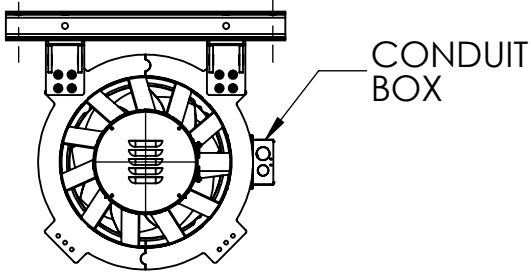
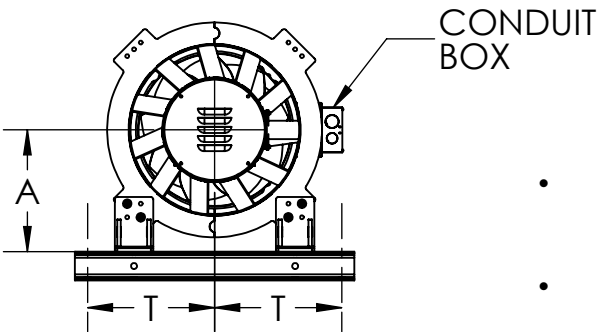


MXI-ARRANGEMENT- 4, LEVEL 1
 HORIZONTAL, MOUNTING RAIL

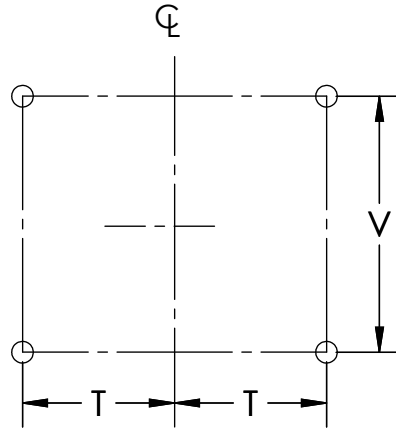


HORIZONTAL CEILING HUNG

ALL VIEWS ARE FROM DISCHARGE END



HORIZONTAL BASE MOUNT



FOUNDATION PLAN VIEW

- MOUNTING RAILS ARE NEEDED WHEN FAN WILL BE CEILING HUNG WITH BASE MOUNT STYLE.
- MOUNTING RAILS TO BE SHIPPED LOOSE WITH HARDWARE
- ISOLATORS ARE SUPPLIED AS PER ORDER

DIMENSIONAL DATA

SIZE	A	T	V	MOUNTING RAIL SECTION	MAX MTR FRAME SIZE	FAN WEIGHT (LESS MOTOR) (LBS.)
122	12 11/16	13 1/4	25 1/4	C3 x 4.1	145T	139
135	14	13 15/16	27 15/16	C3 x 4.1	145T	169
150	14 3/4	14 15/16	31 1/16	C3 x 4.1	145T	197
165	15 5/16	15 11/16	34 1/8	C3 x 4.1	184T	226
182	16 3/16	16 15/16	37 5/8	C4 x 5.4	215T	291
200	17 1/16	18 3/16	41 5/16	C4 x 5.4	215T	339
222	19 5/8	19 3/4	45 7/8	C5 x 6.7	256T	476
245	20 7/8	21 3/8	52 1/16	C6x 8.2	256T	572
270	22 1/8	23 1/8	57 1/4	C6x 10.5	286T	716
300	24 3/4	25 3/16	63 7/16	C6x 10.5	286T	861
330	26 1/4	27 5/16	69 5/8	C8x11.5	286T	1007
365	29	29 3/4	77 1/16	C8x11.5	326T	1358
402	31 7/8	32 3/8	84 11/16	C10x15.3	365T	1633
445	34 5/16	35 3/8	93 1/2	C12x30	365T	1909
490	38 1/2	38 9/16	104 1/4	C12x30	365T	2565
542	41 7/16	42 3/16	115	C12x30	405T	2984
600	46 1/2	46 1/4	126 15/16	C12x30	444T	3606

ALL DIMENSIONS ARE IN INCHES