



DEPARTMENT OF REGULATORY AND ECONOMIC RESOURCES (RER)
BOARD AND CODE ADMINISTRATION DIVISION

NOTICE OF ACCEPTANCE (NOA)

MIAMI-DADE COUNTY
PRODUCT CONTROL SECTION

11805 SW 26 Street, Room 208
Miami, Florida 33175-2474
T (786) 315-2590 F (786) 315-2599

www.miamidade.gov/economy

Air System Components, Inc. dba PennBarry
605 Shiloh Road
Plano, TX 75074

SCOPE:

This NOA is being issued under the applicable rules and regulations governing the use of construction materials. The documentation submitted has been reviewed and accepted by Miami-Dade County RER-Product Control Section to be used in Miami Dade County and other areas where allowed by the Authority Having Jurisdiction (AHJ).

This NOA shall not be valid after the expiration date stated below. The Miami-Dade County Product Control Section (In Miami Dade County) and/or the AHJ (in areas other than Miami Dade County) reserve the right to have this product or material tested for quality assurance purposes. If this product or material fails to perform in the accepted manner, the manufacturer will incur the expense of such testing and the AHJ may immediately revoke, modify, or suspend the use of such product or material within their jurisdiction. RER reserves the right to revoke this acceptance, if it is determined by Miami-Dade County Product Control Section that this product or material fails to meet the requirements of the applicable building code.

This product is approved as described herein, and has been designed to comply with the Florida Building Code, including the High Velocity Hurricane Zone.

DESCRIPTION: Model PHHW Aluminum Penthouse Louver System

APPROVAL DOCUMENT: Drawing No. **60-022497-00D**, titled "PHHW Penthouse", sheets 1 through 11 of 11, dated 12/04/2017, prepared by Air System Components, Inc. dba PennBarry, signed and sealed by Melissa M. Massar, P.E. on 08/08/2018, bearing the Miami-Dade County Product Control approval stamp with the Notice of Acceptance number and approval date by the Miami-Dade County Product Control Section.

MISSILE IMPACT RATING: Large and Small Missile Impact Resistant

LABELING: Each unit shall bear a permanent label with the manufacturer's name or logo, city, state, model/series, and following statement: "Miami-Dade County Product Control Approved", unless otherwise noted herein.

RENEWAL of this NOA shall be considered after a renewal application has been filed and there has been no change in the applicable building code negatively affecting the performance of this product.

TERMINATION of this NOA will occur after the expiration date or if there has been a revision or change in the materials, use, and/or manufacture of the product or process. Misuse of this NOA as an endorsement of any product, for sales, advertising or any other purposes shall automatically terminate this NOA. Failure to comply with any section of this NOA shall be cause for termination and removal of NOA.

ADVERTISEMENT: The NOA number preceded by the words Miami-Dade County, Florida, and followed by the expiration date may be displayed in advertising literature. If any portion of the NOA is displayed, then it shall be done in its entirety.

INSPECTION: A copy of this entire NOA shall be provided to the user by the manufacturer or its distributors and shall be available for inspection at the job site at the request of the Building Official.

This NOA consists of this page 1 and evidence page E-1, as well as approval document mentioned above. The submitted documentation was reviewed by **Carlos M. Utrera, P.E.**



Handwritten signature and date: 11/19/2018

NOA No. 18-0719.03
Expiration Date: November 29, 2019
Approval Date: November 29, 2018
Page 1

NOTICE OF ACCEPTANCE: EVIDENCE SUBMITTED

A. DRAWINGS

1. Drawing No. **60-022497-00D**, titled "PHHW Penthouse", sheets 1 through 11 of 11, dated 12/04/2017, prepared by Air System Components, Inc. dba PennBarry, signed and sealed by Melissa M. Massar, P.E. on 08/08/2018.

B. TESTS "Submitted under NOA # 08-1003.05"

1. Test reports on 1) Uniform Static Air Pressure Test, Loading per FBC TAS 202-94
2) Large Missile Impact Test per FBC, TAS 201-94
3) Cyclic Wind Pressure Loading per FBC, TAS 203-94
along with marked-up drawings and installation diagram of Series/Model PHB6625D Penthouse, prepared by Architectural Testing, Inc., Test Report No. **73628.01-401-18**, dated 09/05/2007, signed and sealed by Joseph A. Reed, P.E.

C. CALCULATIONS "Submitted under NOA # 18-1025.03"

1. Wind load review prepared by Ruskin Company, dated 08/18/2018, signed and sealed by Melissa M. Massar, P.E.

D. QUALITY ASSURANCE

1. Miami-Dade Department of Regulatory and Economic Resources (RER)

E. MATERIAL CERTIFICATIONS

1. None.

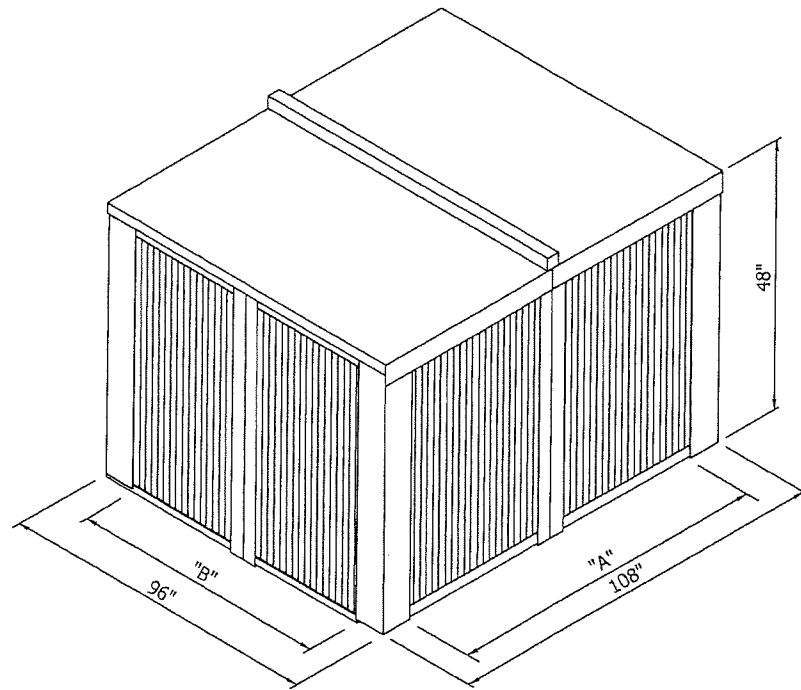
F. STATEMENTS "Submitted under NOA # 18-1025.03"

1. Statement letter of code conformance to the 6th edition (2017) FBC issued by Ruskin Company, dated 08/18/2018, signed and sealed by Melissa M. Massar, P.E.
2. Private label agreement dated 08/30/2018.



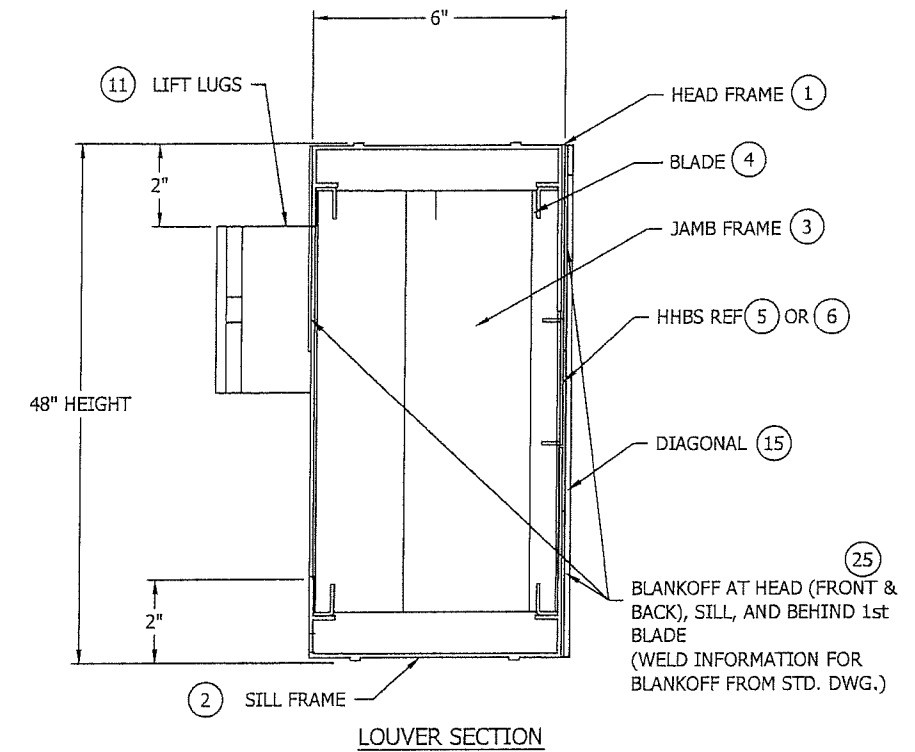
11/19/2018

Carlos M. Utrera, P.E.
Product Control Examiner
NOA No. 18-0719.03
Expiration Date: November 20, 2019
Approval Date: November 29, 2018

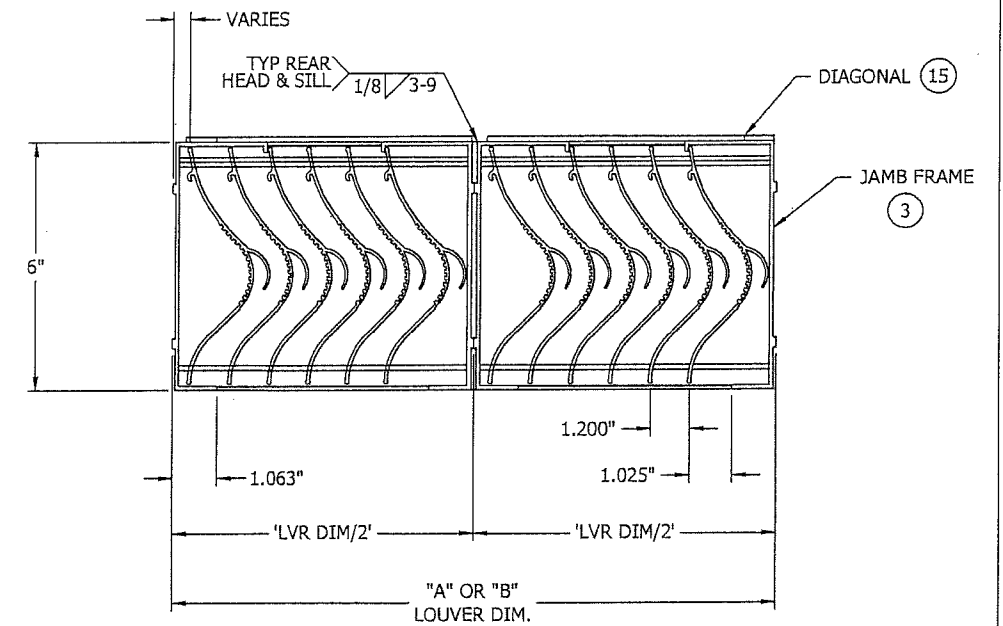


PENTHOUSE ISOMETRIC

FRAME
6063-T6 extruded aluminum with .095" nominal wall thickness.
BLADES
6063-T6 extruded aluminum with .080" nominal wall thickness.
ROOF
.080 thick formed aluminum panels
SILL
.125" thick formed aluminum
FINISH
Mill



LOUVER SECTION



LOUVER PLANVIEW

NOTE:
REF SHEET 6 FOR DESCRIPTION OF LINE ITEMS

NOTES:

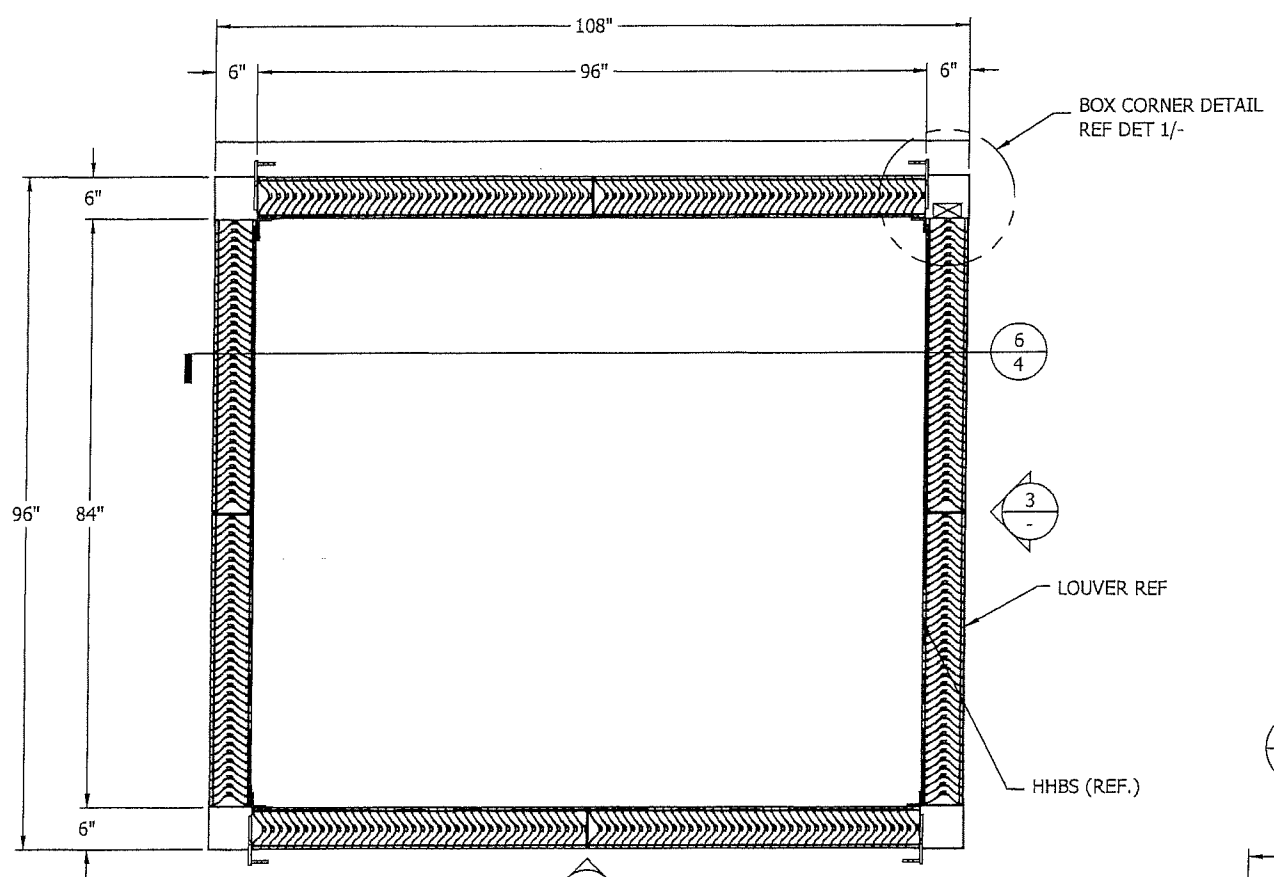
- 1) THE PHHW HAS BEEN TESTED IN ACCORDANCE WITH FLORIDA PROTOCOLS TAS-201, 202 & 203 FOR LARGE MISSILE IMPACT, UNIFORM PRESSURE AND CYCLIC WIND PRESSURE.
- 2) THIS PENTHOUSE SYSTEM IS APPROVED FOR APPLICATIONS WITH DESIGN PRESSURES OF +/- 110 PSF OR LESS.
- 3) IT SHALL BE THE RESPONSIBILITY OF THE PERMIT HOLDER/BUILDING DESIGN ENGINEER OF RECORD TO VERIFY THE STRUCTURAL INTEGRITY OF THE ROOF CURB/STRUCTURE TO SUPPORT THE LOADS IMPOSED BY THIS PENTHOUSE SYSTEM.
- 4) 'A'+12" AND 'B'+12" ARE THE OUTSIDE DIMENSIONS OF THE PENTHOUSE SIDES. 'A' AND 'B' ARE THE INSIDE DIMENSIONS OF THE CURB.
- 5) THE MAXIMUM OUTSIDE DIMENSIONS OF THE PENTHOUSE ARE 96"X108"X48" TALL AS INDICATED ON THESE DRAWINGS. THE MINIMUM OUTSIDE DIMENSIONS OF THE PENTHOUSE ARE 24"X24"X12" TALL.
- 6) SEALING REQUIREMENTS AROUND THE PENTHOUSE SHALL COMPLY WITH THE PROVISIONS OF CHAPTER 15 OF THE FLORIDA BUILDING CODE.
- 7) ALL FASTENERS SHALL BE CORROSION RESISTANT.

FOR OFFICE USE ONLY

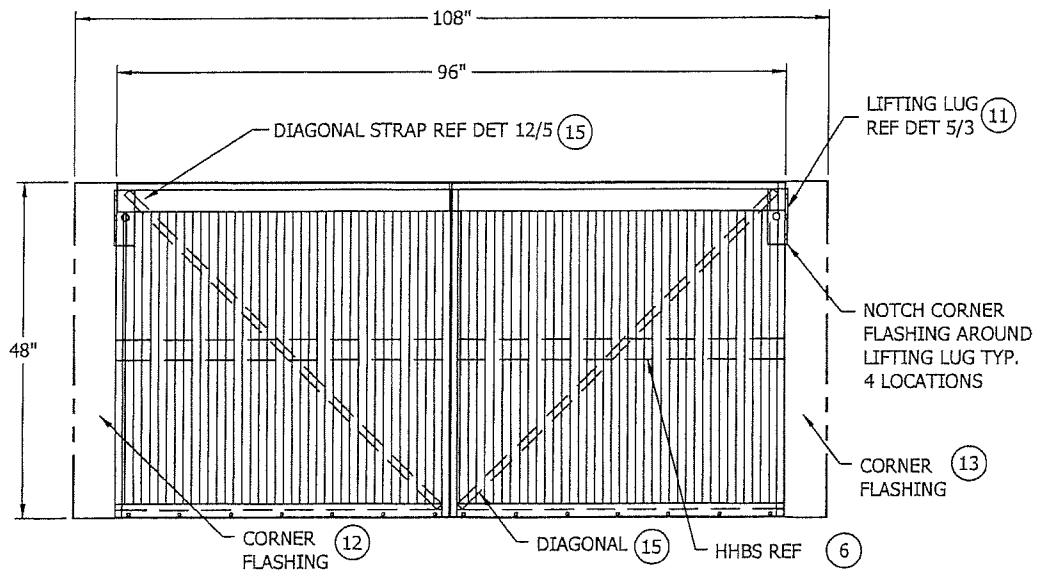
PRODUCT APPROVED
as complying with the Florida Building Code
NOA-No. **18-0719.03**
Approval Date **11/29/2018**
By *[Signature]*
Miami-Dade Product Control

MELISSA M. MASSAR
LICENSE
No 84659
[Signature]
STATE OF
FLORIDA
PROFESSIONAL ENGINEER
9/8/18
MELISSA M. MASSAR, P.E.
NO. 84659

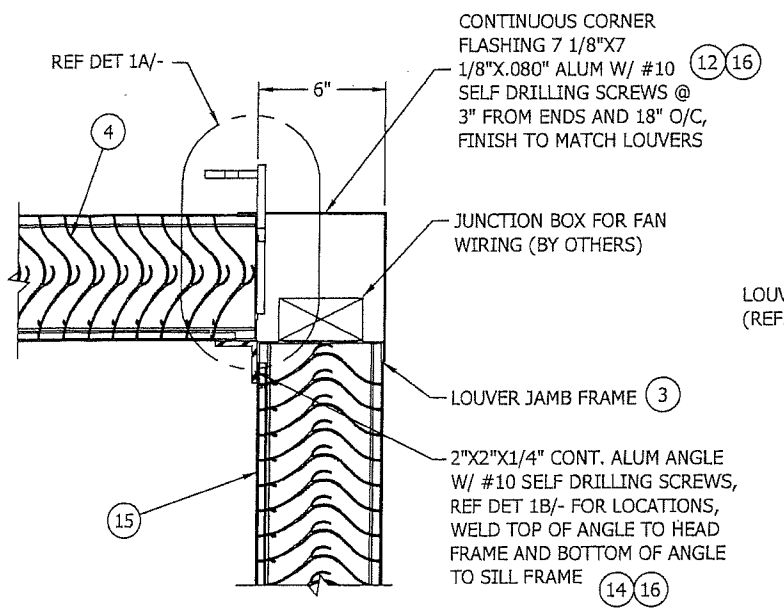
DWN. BY: CJD	CHK. BY: SDL	APPVD. BY: MMM	APPVD. BY:	DATE: 12/4/17	DATE: 12/4/17	DATE: 12/4/17	DATE:
CHANGE LETTER				REVISION DESCRIPTION			
PennBarry				PLOT SCALE			
605 Shiloh RD Plano, TX 75074				NONE			
SHEET 1 OF 11				TITILE			
PHHW PENNHOUSE				DWG. NO.			
SPECS, NOTES				60-022497-00D			
AND DETAILS							



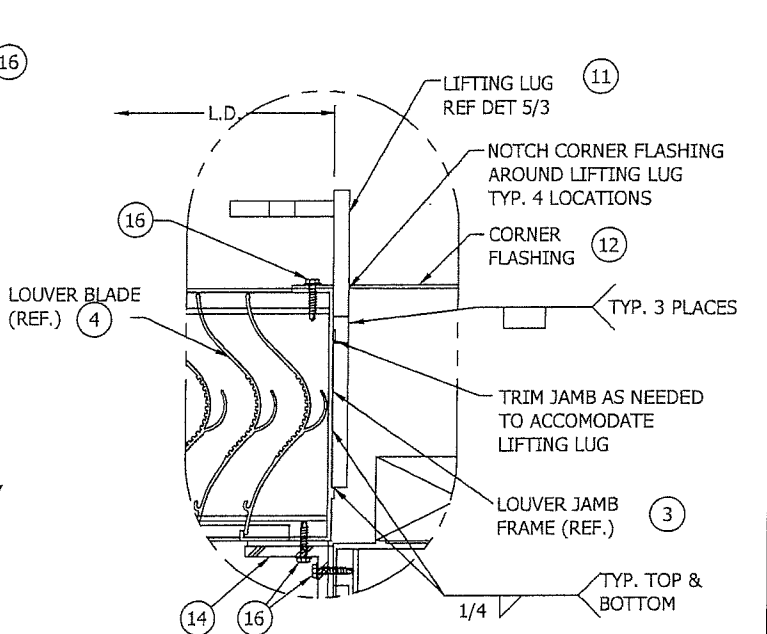
ASSEMBLY "A"
N.T.S.
HEIGHT = 48"



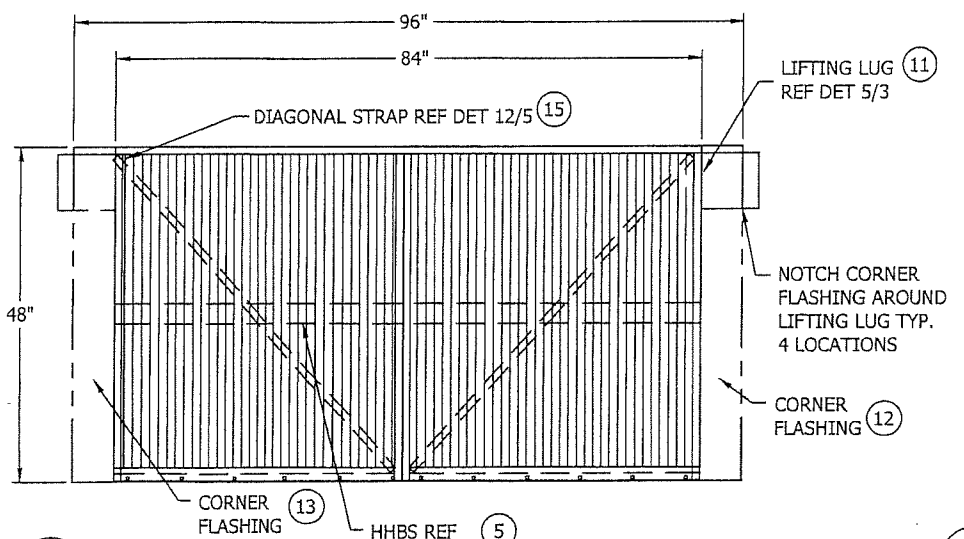
2 ELEVATION
N.T.S.



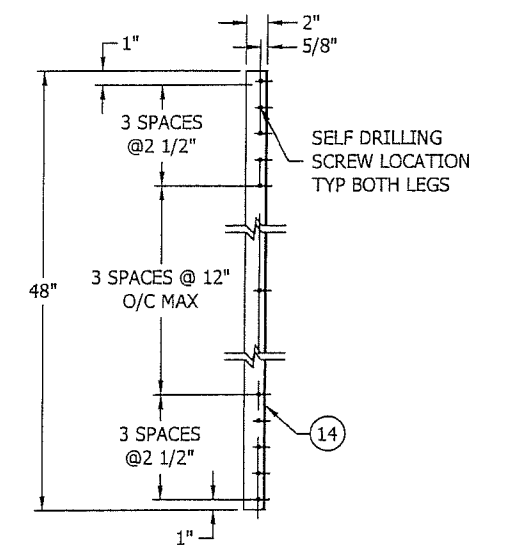
1 BOX CORNER DETAIL
N.T.S.



1A LOUVER/CORNER FLASHING DETAIL
N.T.S.



3 ELEVATION
N.T.S.



1B ITEM 14 - LOUVER CORNER ANGLE
N.T.S.

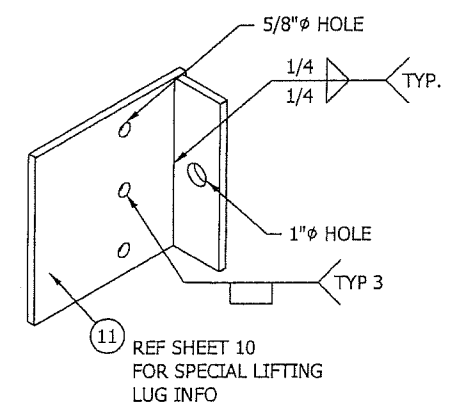
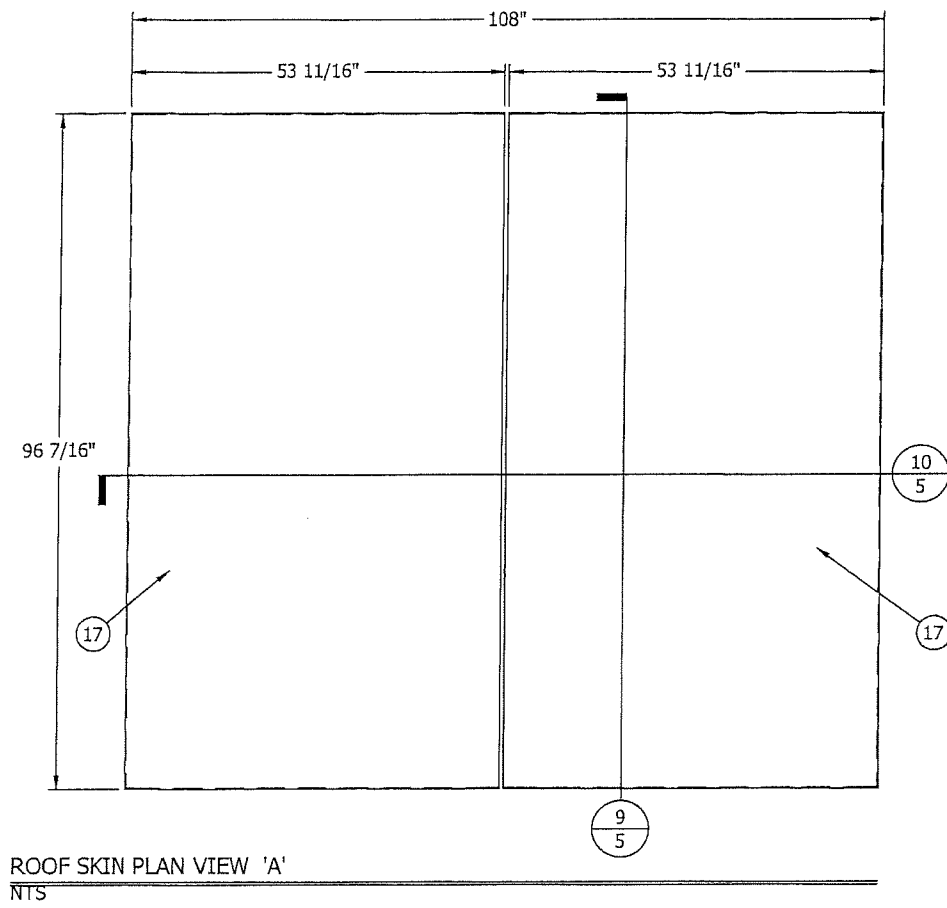
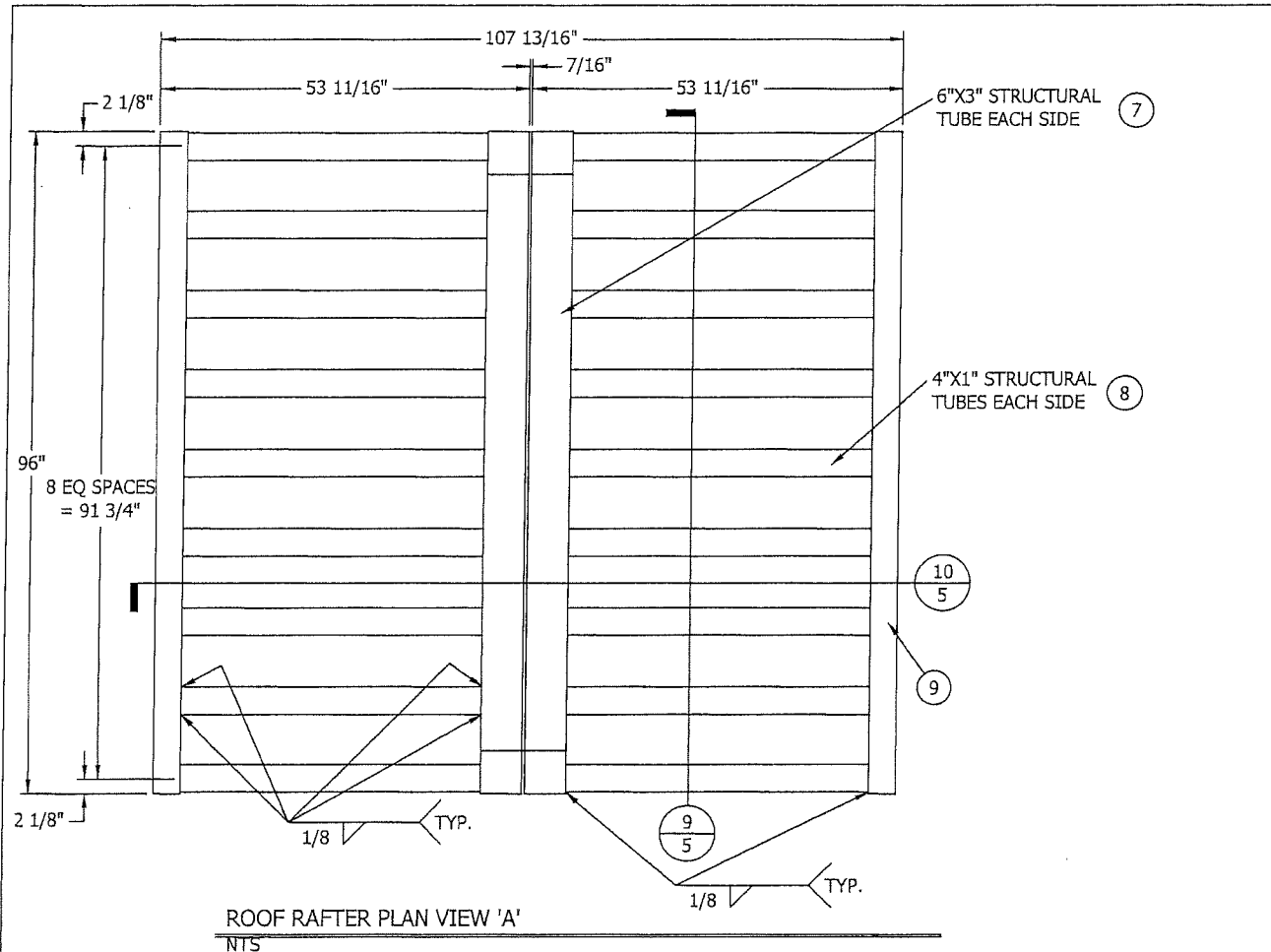
NOTE:
REF SHEET 6 FOR DESCRIPTION OF LINE ITEMS

FOR OFFICE USE ONLY
PRODUCT APPROVED
as complying with the Florida Building Code
NOA-No. **18-0719.03**
Approval Date **11/29/2018**
By *[Signature]*
Miami-Dade Product Control

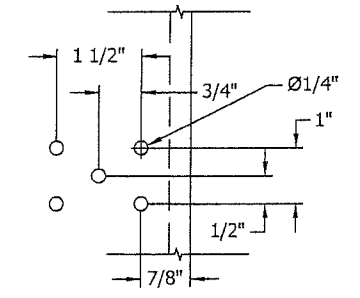
MELISSA M. MASSAR
LICENSE
No 84659
[Signature]
STATE OF
FLORIDA
PROFESSIONAL ENGINEER
MELISSA M. MASSAR, P.E.
NO. 84659

CHANGE LETTER	REVISION DESCRIPTION	OWN. BY:	CHKD. BY:	APP'D. BY:	APP'D. BY:	DATE
	PennBarry 605 Shiloh RD Plano, TX 75074					
	PHHW PENNHOUSE DETAILS					
						60-022497-00D

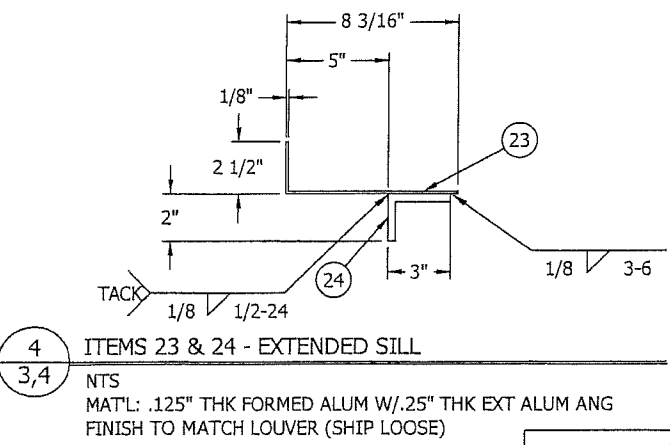
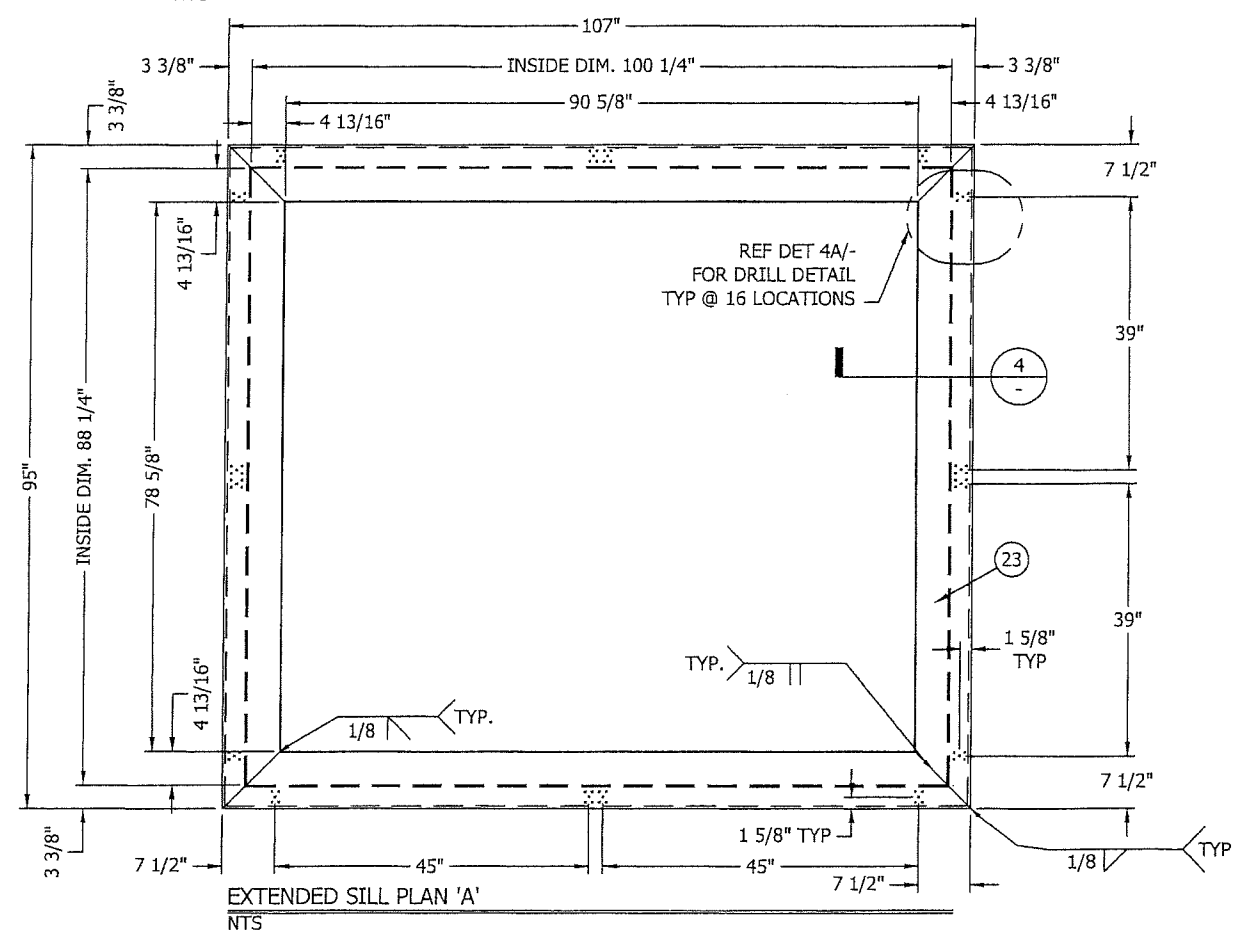
DATE: 12/4/17 DATE: 12/4/17 DATE: 12/4/17 DATE: 12/4/17
SHEET 2 OF 11



5 SPECIAL LIFTING LUG
2 NTS
MAT'L: .375" THICK ALUMINUM
FINISH TO MATCH LOUVER



4A EXTENDED SILL DRILL DETAIL
3,4 NTS



NOTE:
REF SHEET 6 FOR DESCRIPTION OF LINE ITEMS

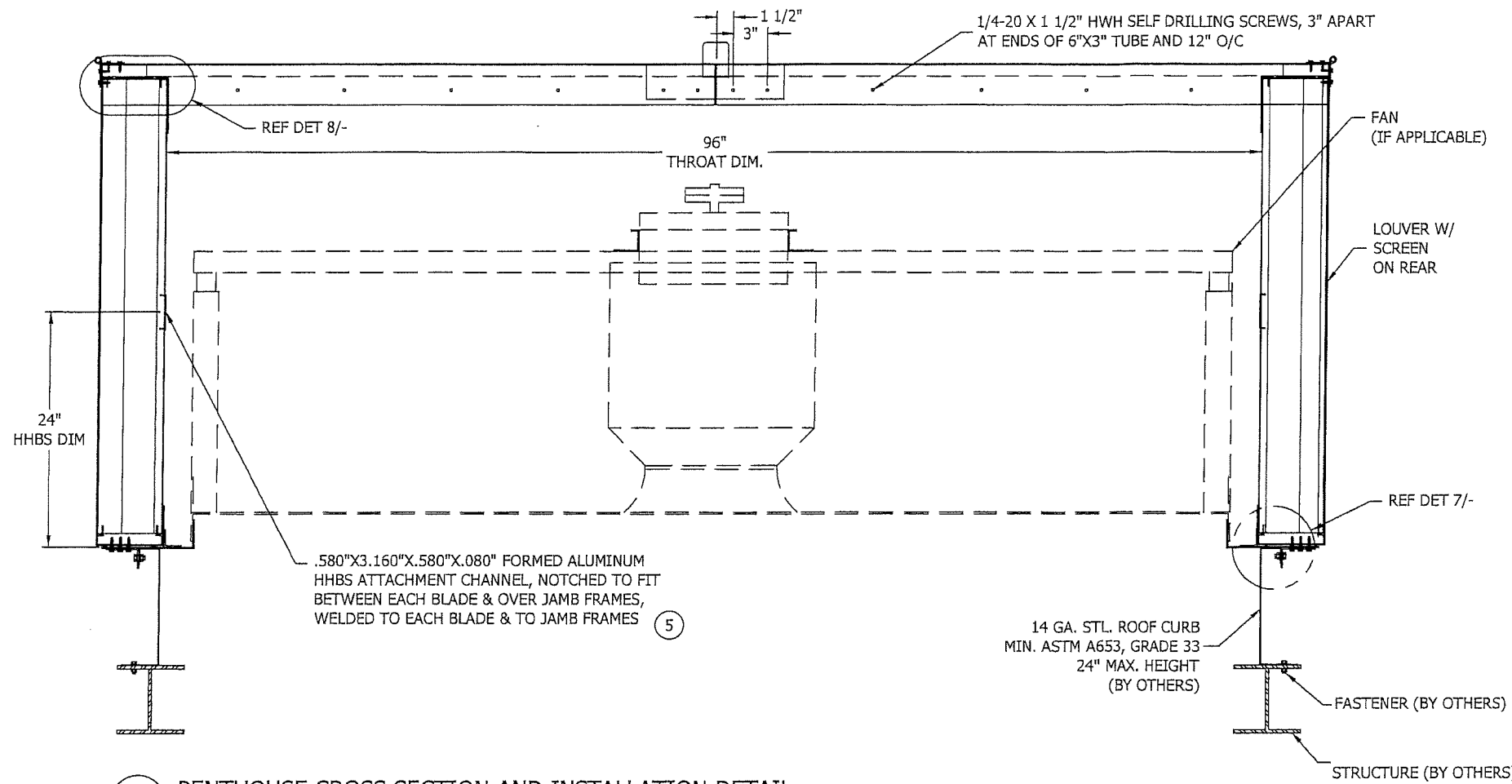
FOR OFFICE USE ONLY

PRODUCT APPROVED
as complying with the Florida
Building Code
NOA-No. **18-0719.03**
Approval Date **11/29/2018**
By *[Signature]*
Miami-Dade Product Control

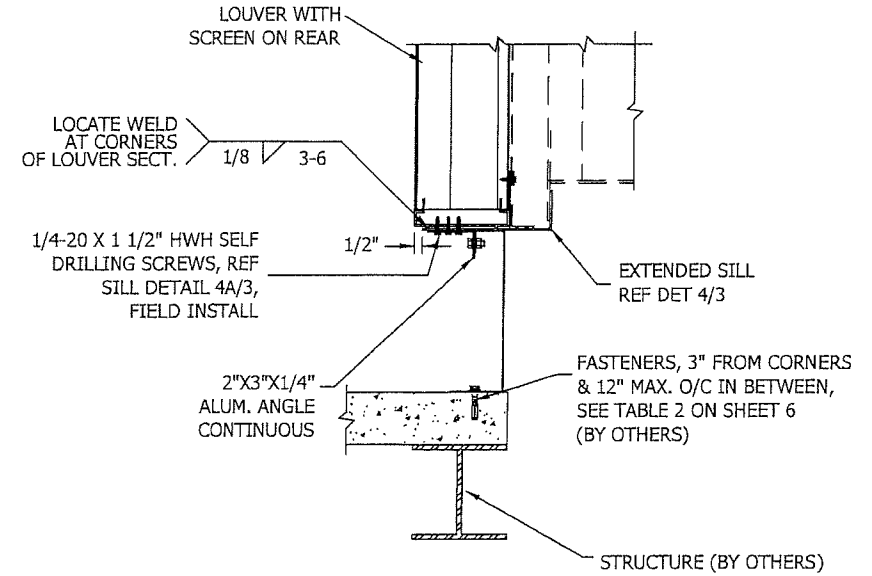


DWN. BY: CJD	CHK. BY: SDL	APPROV. BY: MMM	APPROV. BY: [Signature]
DATE: 12/4/17	DATE: 12/4/17	DATE: 12/4/17	DATE: [Signature]
SHEET 3 OF 11			

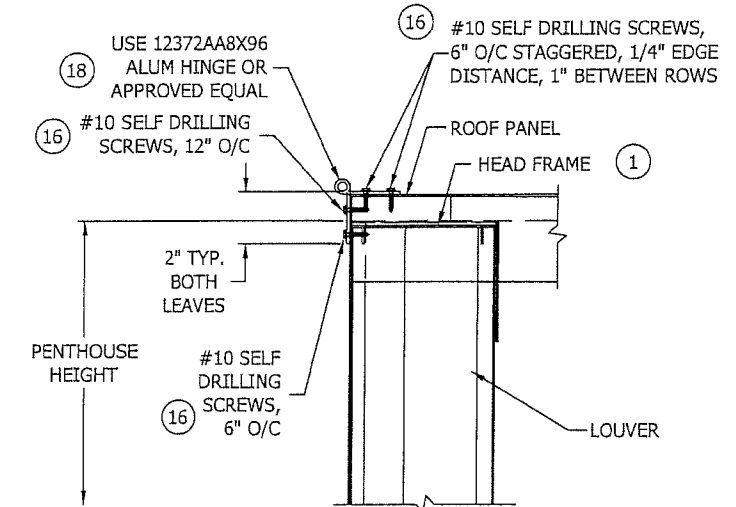
CHANGE LETTER	REVISION DESCRIPTION	DWN. BY:	CHKD. BY:	APPRD. BY:	APPRD. BY:	DATE
	PennBarry 605 Shiloh RD Plano, TX 75074				ECN	
	PHHW PENNHOUSE DETAILS	PLOT SCALE NONE		DWG. NO. 60-022497-00D		



6 PENTHOUSE CROSS SECTION AND INSTALLATION DETAIL
2 NTS

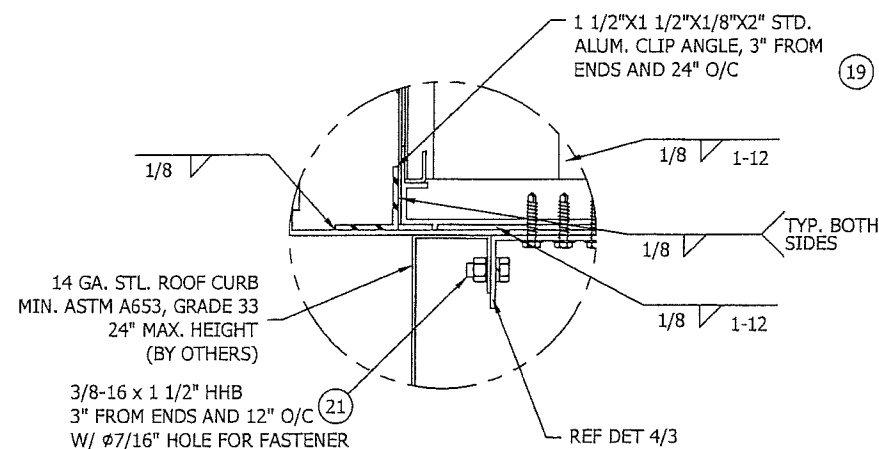


6A PENTHOUSE INSTALL (OPTIONAL)
NTS
(FOR DETAILS NOT NOTED REF DET 6/-)

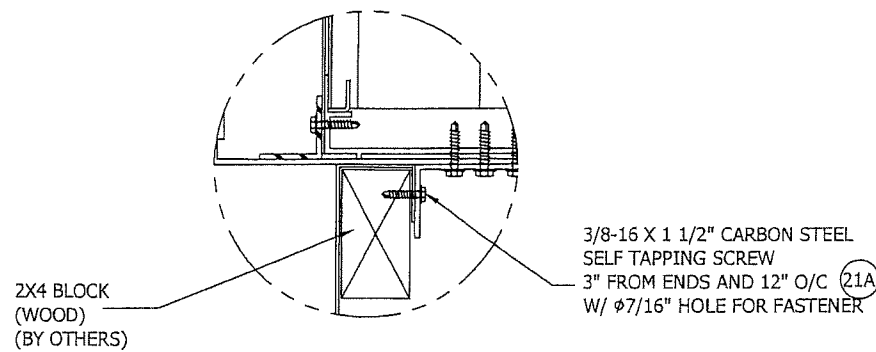


8 ROOF FASTENING DETAIL
NTS

NOTE:
REF SHEET 6 FOR DESCRIPTION OF LINE ITEMS



7 PENTHOUSE/CURB CONNECTION DETAIL
NTS



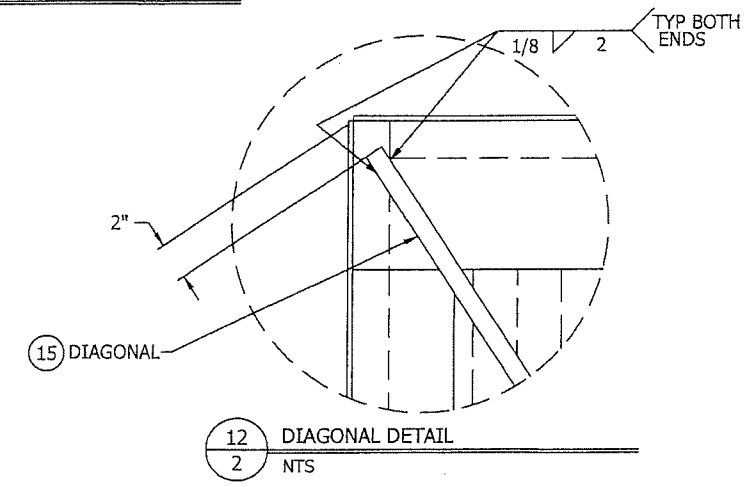
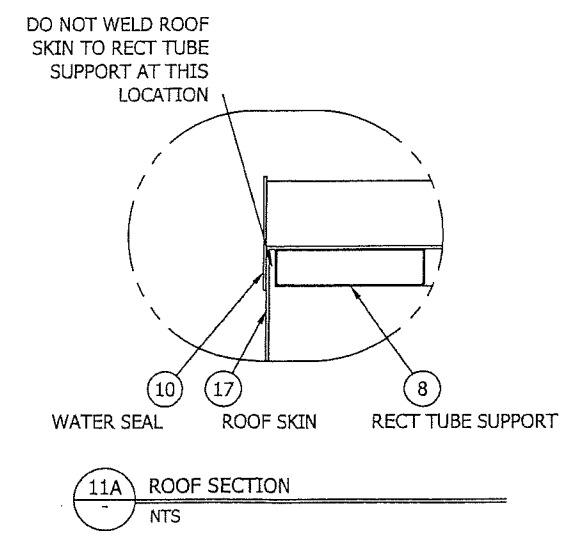
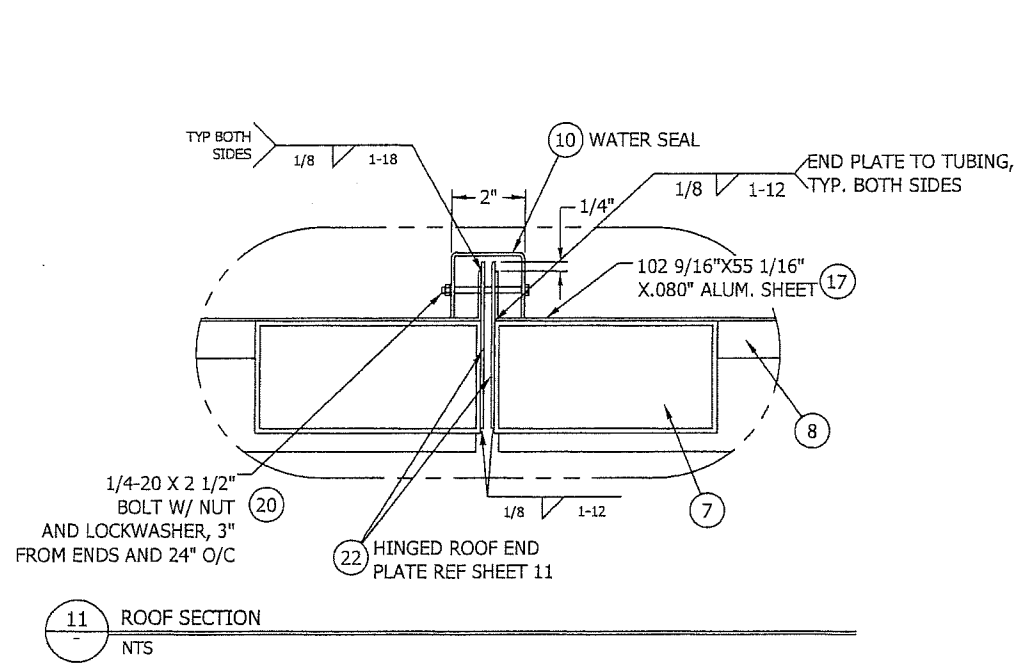
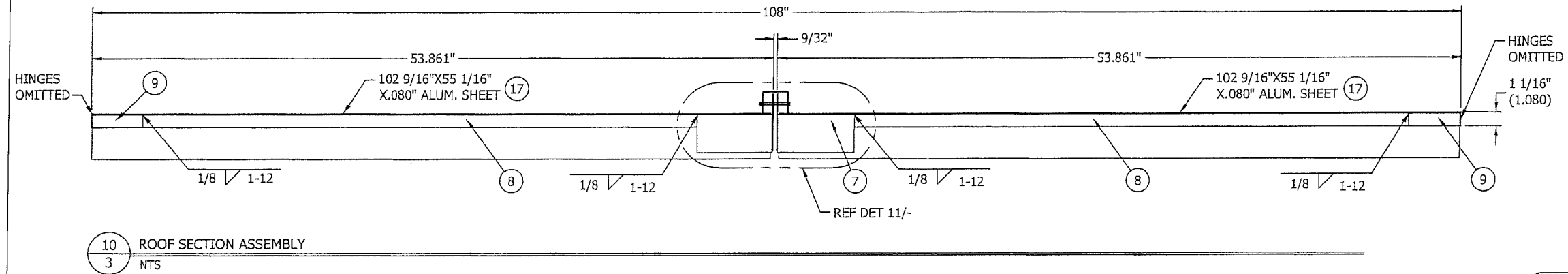
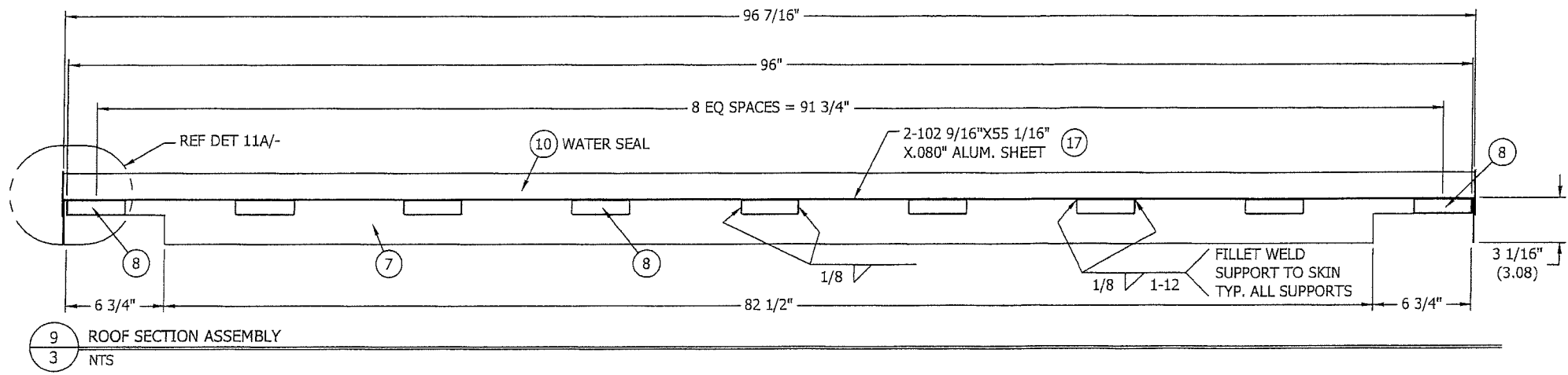
7A PENTHOUSE/INSULATED CURB CONNECTION DETAIL
NTS

FOR OFFICE USE ONLY

PRODUCT APPROVED
as complying with the Florida Building Code
NOA-No. **18-0719.03**
Approval Date **11/29/2018**
By *[Signature]*
Miami-Dade Product Control

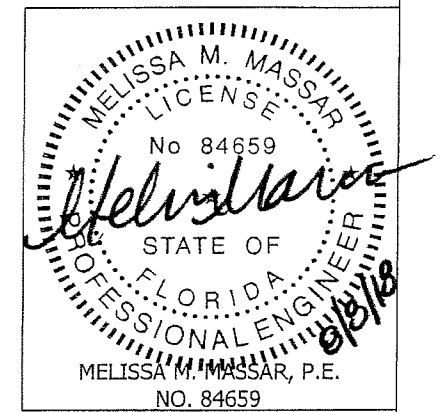
MELISSA M. MASSAR
LICENSE
No 84659
[Signature]
STATE OF
FLORIDA
PROFESSIONAL ENGINEER
01/18/18
MELISSA M. MASSAR, P.E.
NO. 84659

CHANGE LETTER	REVISION DESCRIPTION	DWNL. BY:	CRKD. BY:	APPVD. BY:	APPVD. BY:	DATE
	PennBarry 605 Shiloh RD Plano, TX 75074					
TITLE PHHW PENNHOUSE DETAILS		PLOT SCALE NONE		ECN ECN		DWG. NO. 60-022497-00D
SHEET 4 OF 11		DATE: 12/4/17		DATE: 12/4/17		DATE: 12/4/17



FOR OFFICE USE ONLY

PRODUCT APPROVED
as complying with the Florida Building Code
NOA-No. **18-0719.03**
Approval Date **11/29/2018**
By *[Signature]*
Miami-Dade Product Control



NOTE:
REF SHEET 6 FOR DESCRIPTION OF LINE ITEMS

CHANGE LETTER	REVISION DESCRIPTION	DWN. BY:	CHKD. BY:	APP'D. BY:	APP'D. BY:	DATE
	PennBarry 605 Shiloh RD Plano, TX 75074					
SHEET 5 OF 11			TITLE PHHW PENNHOUSE DETAILS		DWG. NO. 60-022497-00D	

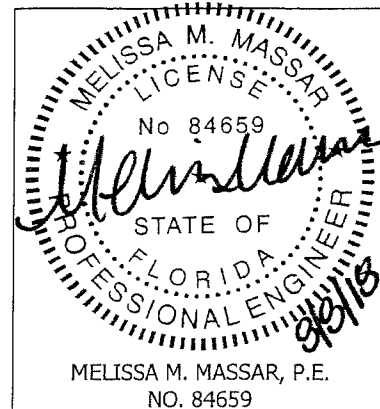
LINE ITEM	SHEET NUMBER	MATERIAL	DESCRIPTION	PENNBARRY NUMBER
1	7	6063-T6 ALUM	LOUVER HEAD FRAME	70-021995-00B
2	7	6063-T6 ALUM	LOUVER SILL FRAME	70-022627-00B
3	7	6063-T6 ALUM	LOUVER JAMB FRAME	70-022227-00B
4	7	6063-T6 ALUM	LOUVER BLADE	70-020748-00B
5	8	6063-T5 ALUM	.580"X3.160"X.580"X.080"X84" HHBS	RSM7001
6	8	6063-T5 ALUM	.580"X3.160"X.580"X.080"X96" HHBS	RSM7001
7	8	6063-T5 1/8" ALUM	6"X3" RECT. TUBE ROOF SUPPORT	-
8	8	6063-T6 1/8" ALUM	4"X1" RECT. TUBE SUPPORT (SHORT)	-
9	9	6063-T6 1/8" ALUM	4"X1" RECT. TUBE SUPPORT (LONG)	-
10	9	5005-H34 1/8" ALUM	WATER SEAL	-
11	9	3003-H14 3/8" ALUM	SPECIAL LIFTING LUG	-
12	10	5005-H34 .080" ALUM	LEFT HAND CORNER FLASHING	-
13	10	5005-H34 .080" ALUM	RIGHT HAND CORNER FLASHING	-
14	2	6063-T6 ALUM	2"X2"X1/4"X48" ANGLE	-
15	-	6063-T5 ALUM	DIAGONAL 1"X1/8" THK. BAR	-
16	-	CARBON STEEL, ZC	#10-16 X 1" SELF DRILLING SCREW	-
17	10	5005-H34 .080" ALUM	PENTHOUSE ROOF SKIN	-
18	11	5052 ALUM	12372AA8X96 HINGE-1/8" THK., 3/8" PIN, 2" KNUCKLE	-
19	10	5005-H34 ALUM	1 1/2"X1 1/2"X1/8"X2" CLIP ANGLE	85-020366-00B
20	-	CARBON STEEL, ZC	1/4-20 X 2 1/2" HHB W/ LOCKWASHER & HEX NUT	-
21	-	CARBON STEEL, ZC	3/8-16 X 1 1/2" HHB W/ WASHER, LOCKWASHER & HEX NUT	-
21A	-	CARBON STEEL, ZC	3/8-16 X 1 1/2" CARBON STEEL SELF TAPPING SCREW	-
22	11	5005-H34 ALUM	4 7/16"X95 7/8"X.080" HINGED DOOR END PLATE	-
23	3	5005-H34 ALUM	EXTENDED SILL .125" THK. FORMED	-
24	3	6063-T6 ALUM	EXTENDED SILL 2"X3"X1/4" ANGLE	-
25	-	-	BLANKOFF X" X Y" ALUM. SHEET	-

CURB SUBSTRATE FASTENER TABLE 2 (BY OTHERS)

SUBSTRATE TYPE	MIN. SUBSTRATE REQUIREMENTS	FASTENER TYPE	MIN. EMBEDMENT	MIN. EDGE DISTANCE
WOOD	0.42 SPECIFIC GRAVITY	3/8" DIA. LAG SCREW	3"	1 1/2"
STEEL	12 GA, 45 KSI TENSILE STRENGTH, 33 KSI YIELD STRENGTH	1/4" DIA. SELF TAPPING SCREW	3 THREADS BEYOND SUB.	3/8"
CONCRETE	2500 PSI COMP. STRENGTH	3/8" DIA. HILTI KWIK BOLT 3, CARBON STEEL	2 1/2"	2 1/2"

FOR OFFICE USE ONLY

PRODUCT APPROVED
as complying with the Florida
Building Code
NOA-No. **18-0719.03**
Approval Date **11/29/2018**
By *[Signature]*
Miami-Dade Product Control

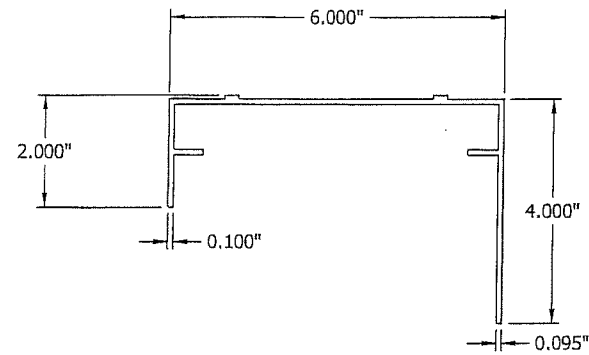


CHANGE LETTER	REVISION DESCRIPTION	DWN. BY:	CHKD. BY:	APPVD. BY:	APPVD. BY:	DATE
	PennBarry 605 Shiloh RD Plano, TX 75074					
	PHHW PENNHOUSE ITEM LIST AND APPROVED ATTACHMENTS TABLE					

DWN. BY:	CHK. BY:	APPVD. BY:	APPVD. BY:	DATE
CJD	SDL	MMM		
DATE: 12/4/17	DATE: 12/4/17	DATE: 12/4/17		

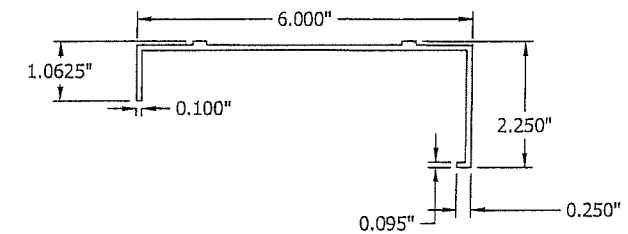
PLOT SCALE	ECN
NONE	ECN

DWG. NO.
60-022497-00D



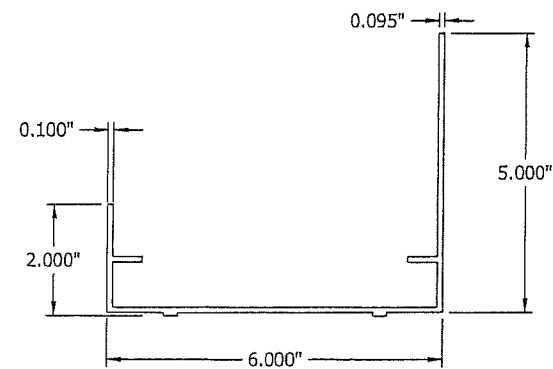
ITEM 1 - LOUVER HEAD FRAME

NTS



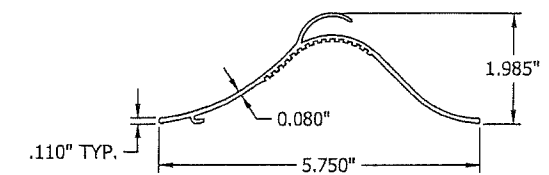
ITEM 3 - LOUVER JAMB FRAME

NTS



ITEM 2 - LOUVER SILL FRAME

NTS



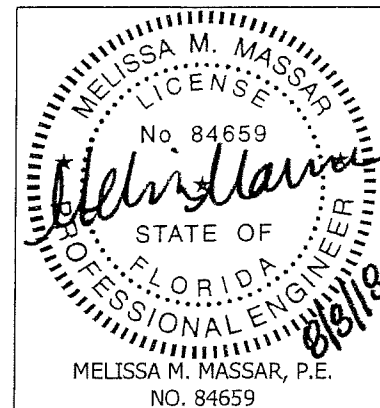
ITEM 4 - LOUVER BLADE

NTS

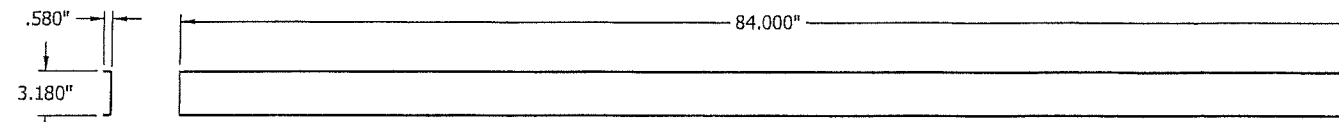
NOTES:
1. REF. SHEET 6 FOR MATERIAL.

FOR OFFICE USE ONLY

PRODUCT APPROVED
as complying with the Florida
Building Code
NOA-No. **18-0719.03**
Approval Date **11/29/2018**
By *[Signature]*
Miami-Dade Product Control

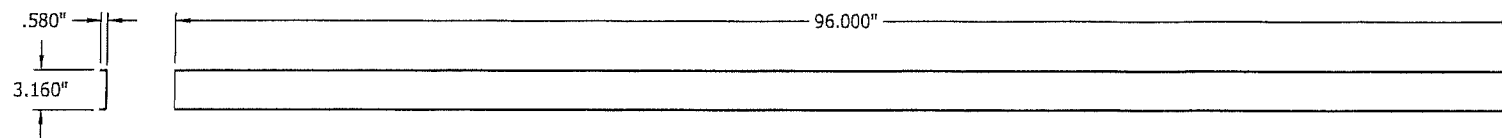


CHG. LETTER	REVISION DESCRIPTION	CHKD. BY:	CHKD. BY:	APPVD. BY:	APPVD. BY:	DATE
	PennBarry 605 Shiloh RD Plano, TX 75074					
TITLE		PLOT SCALE		DWG. NO.		
SHEET 7 OF 11		NONE		ECN		
PHHW PENNHOUSE PART DETAILS						60-022497-00D



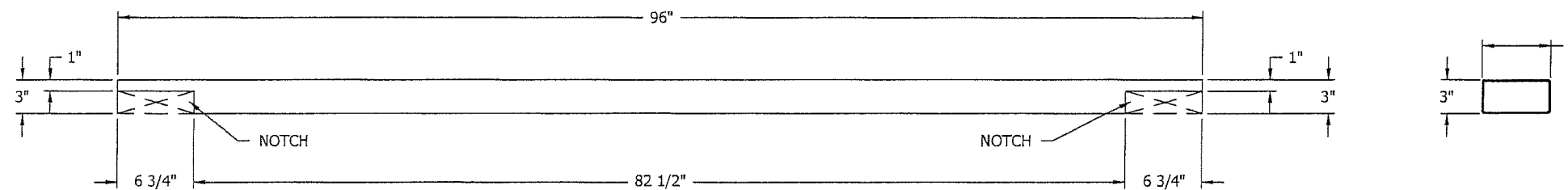
ITEM 5 - .580"X3.160"X.580"X.080"X84" HHBS

NTS



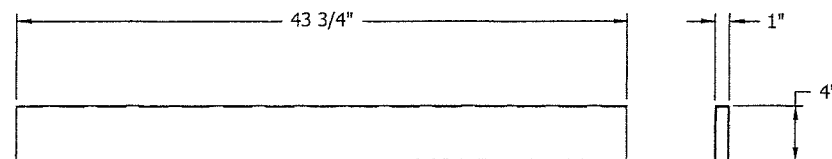
ITEM 6 - .580"X3.160"X.580"X.080"X96" HHBS

NTS



ITEM 7 - 6"X3" ROOF SUPPORT

NTS



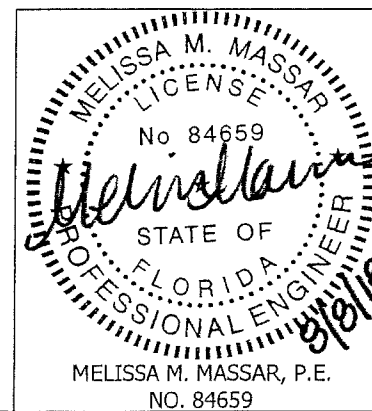
ITEM 8 - 4"X1" SUPPORT (SHORT)

NTS

NOTES:
1. REF. SHEET 6 FOR MATERIAL.

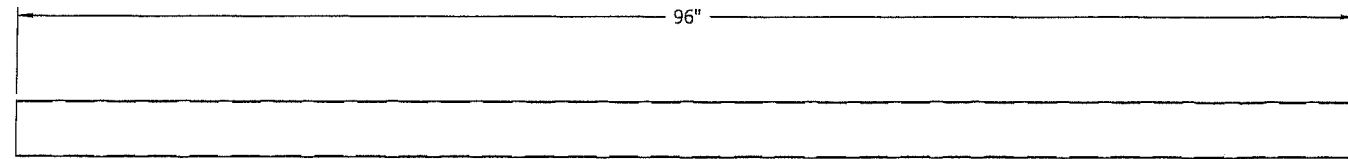
FOR OFFICE USE ONLY

PRODUCT APPROVED
as complying with the Florida
Building Code
NOA-No. **18-0719.03**
Approval Date, **11/29/2018**
By *[Signature]*
Miami-Dade Product Control

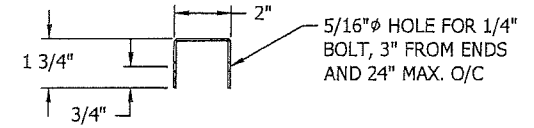
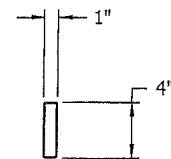


CHANGE LETTER	REVISION DESCRIPTION	DWN. BY:	CHKD. BY:	APPVD. BY:	APPVD. BY:	DATE
	PennBarry 605 Shiloh RD Plano, TX 75074					
		PLOT SCALE		ECN		
		NONE				
SHEET 8 OF 11		TITLE		DWG. NO.		
		PHHW PART DETAILS		60-022497-00D		

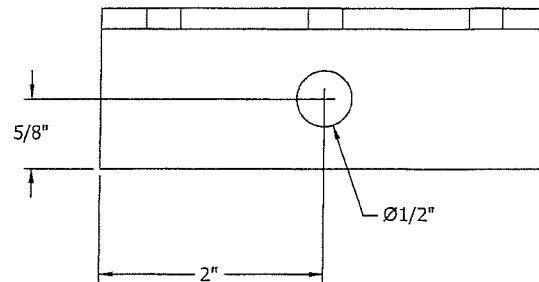
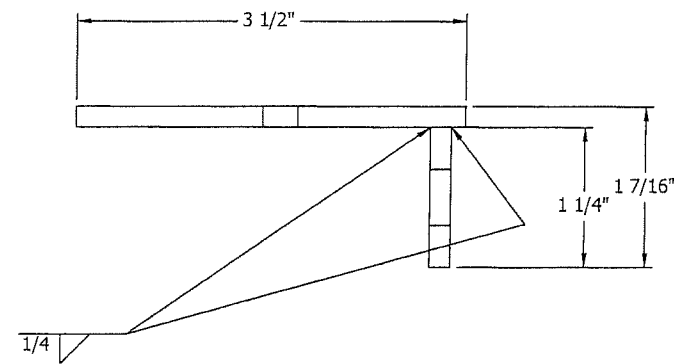
DWN. BY:	CHK. BY:	APPVD. BY:	APPVD. BY:
CJD	SDL	MMM	
DATE: 12/4/17	DATE: 12/4/17	DATE: 12/4/17	DATE:



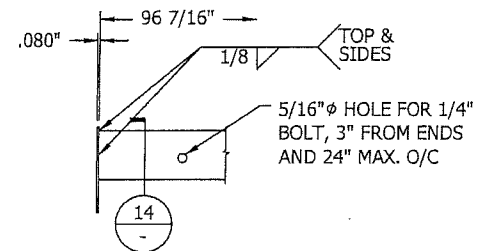
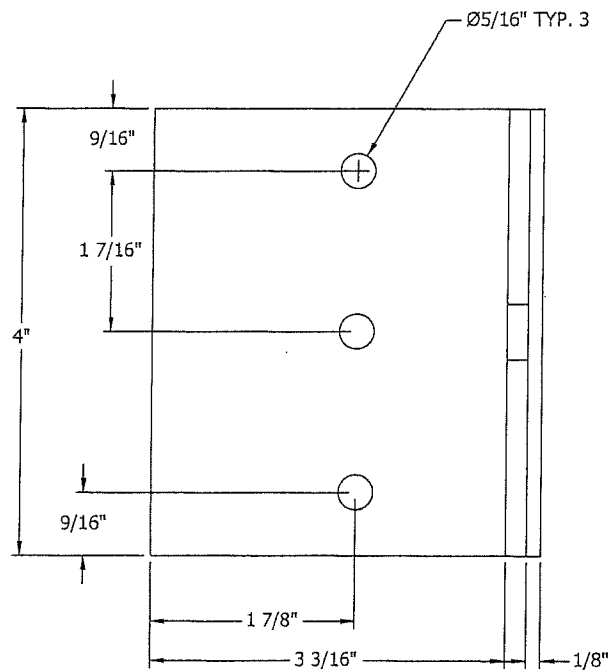
ITEM 9 - 4"X1" SUPPORT (LONG)
NTS



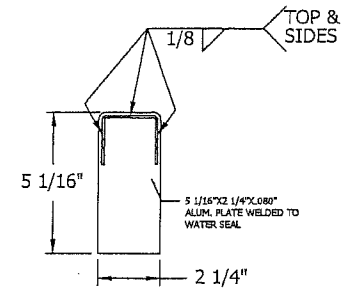
ITEM 10 - WATER SEAL
NTS
LENGTH: 96 7/16"



ITEM 11 - SPECIAL LIFTING LUG
NTS



13 WATER SEAL AT END
NTS



14 WATER SEAL AT END DETAIL
NTS

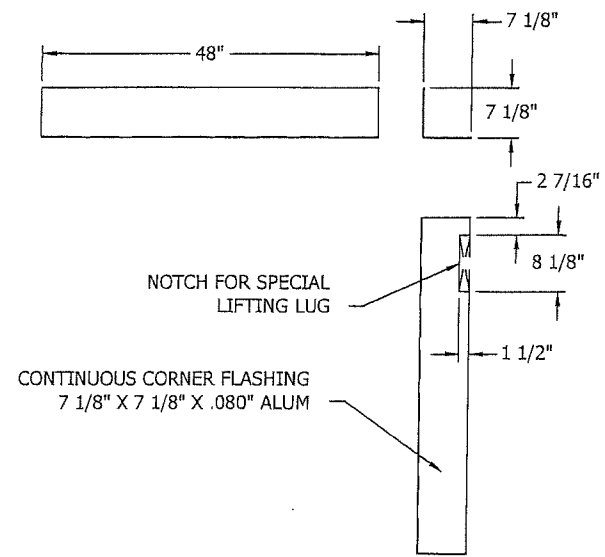
NOTES:
1. REF SHEET 6 FOR MATERIAL.

FOR OFFICE USE ONLY

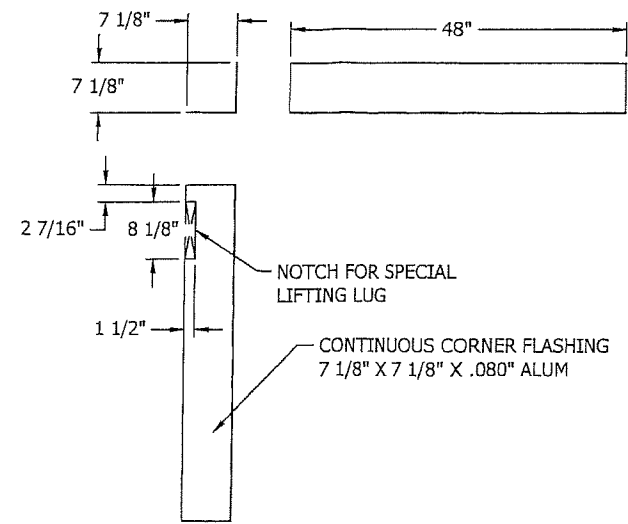
PRODUCT APPROVED
as complying with the Florida
Building Code
NOA-No. **18-0719.03**
Approval Date **11/29/2018**
By *[Signature]*
Miami-Dade Product Control

MELISSA M. MASSAR
LICENSE
No 84659
[Signature]
STATE OF
FLORIDA
PROFESSIONAL ENGINEER
9/18/18
MELISSA M. MASSAR, P.E.
NO. 84659

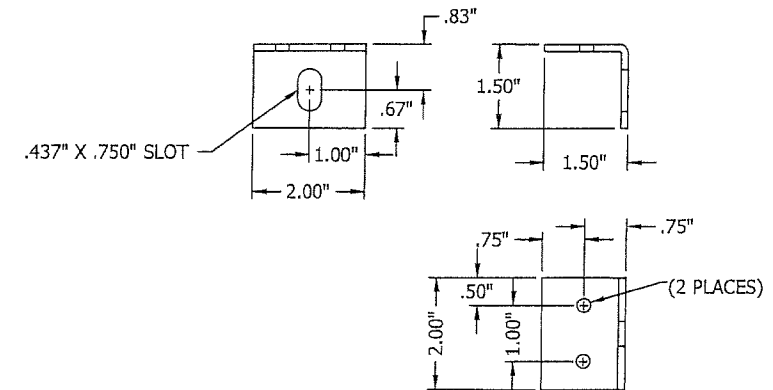
CHANGE LETTER	REVISION DESCRIPTION	DWN. BY:	CHKD. BY:	APPVD. BY:	APPVD. BY:	DATE
	PennBarry 605 Shiloh RD Plano, TX 75074					
		PLOT SCALE		ECN		
		NONE				
SHEET 9 OF 11		TITLE		DWG. NO.		
		PHHW PENNHOUSE PART DETAILS		60-022497-00D		



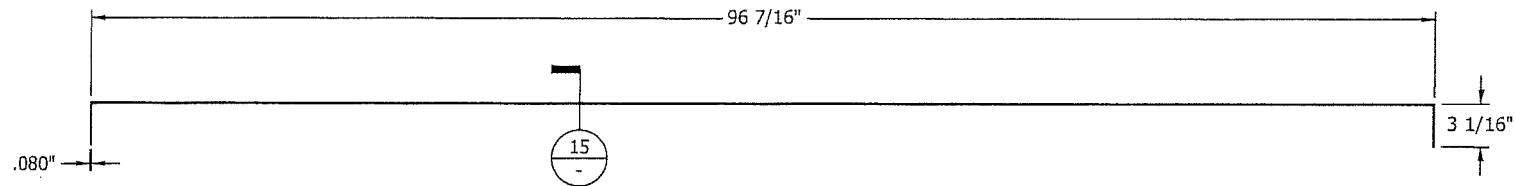
ITEM 12 - LEFT HAND CORNER FLASHING
NTS



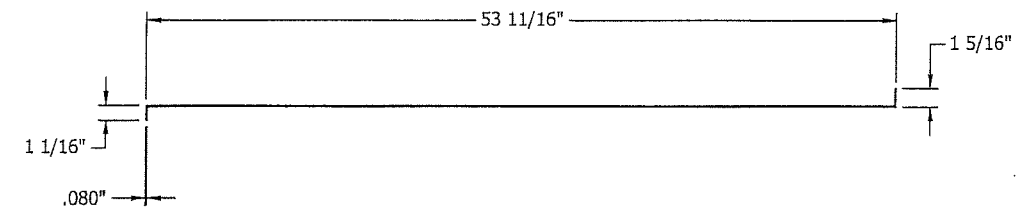
ITEM 13 - RIGHT HAND CORNER FLASHING
NTS



ITEM 19 - 1 1/2"X1 1/2"X1/8"X2" CLIP ANGLE
NTS



ITEM 17 - PENTHOUSE ROOF SKIN
NTS

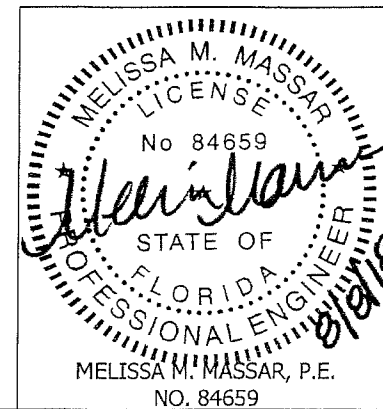


15 PENTHOUSE ROOF SKIN SECTION
NTS

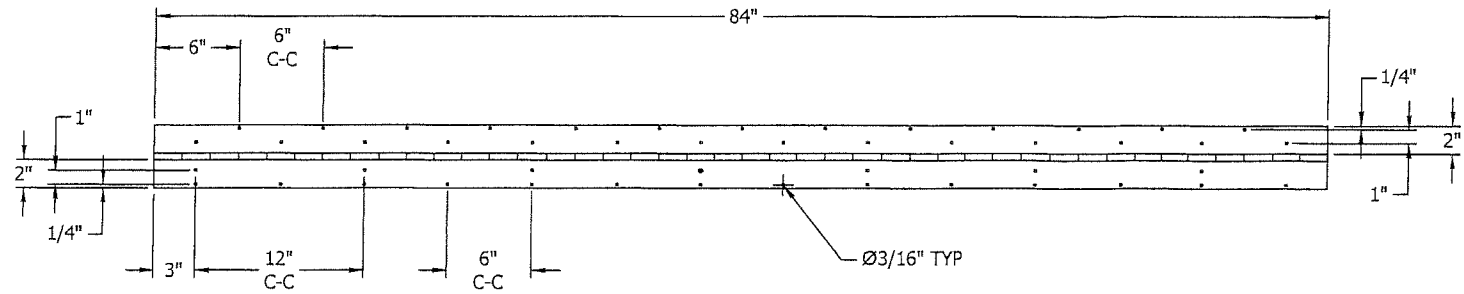
NOTES:
1. REF SHEET 6 FOR MATERIAL.

FOR OFFICE USE ONLY

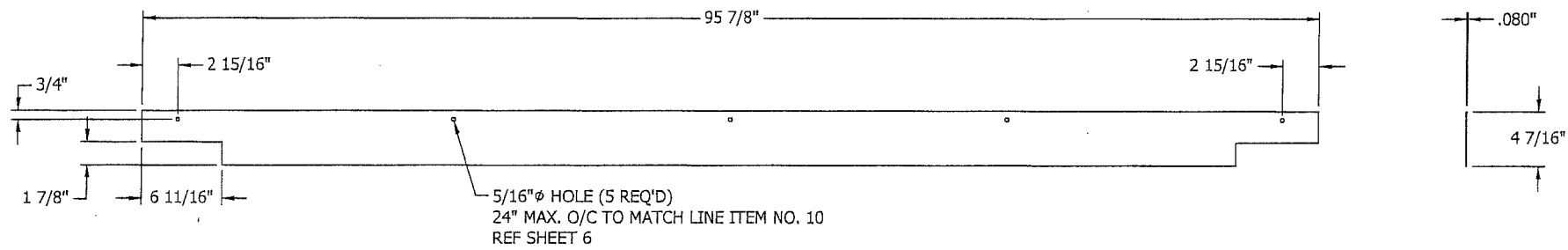
PRODUCT APPROVED
as complying with the Florida
Building Code
NOA-No. **18-0719.03**
Approval Date **11/29/2018**
By *[Signature]*
Miami-Dade Product Control



CHANGE LETTER	REVISION DESCRIPTION	DWN. BY:	CHKD. BY:	APPVD. BY:	APPVD. BY:	DATE
	PennBarry 605 Shiloh RD Plano, TX 75074					
SHEET 10 OF 11		PHHW PENNHOUSE PART DETAILS		60-022497-00D		



ITEM 18 - HINGE
NTS

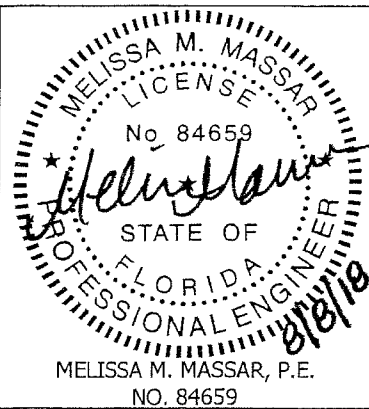


ITEM 22 - 4 7/16"X95 7/8"X.080" HINGED DOOR END PLATE
NTS

NOTES:
1. REF SHEET 6 FOR MATERIAL.

FOR OFFICE USE ONLY

PRODUCT APPROVED
as complying with the Florida
Building Code
NOA-No. **18-0719.03**
Approval Date **11/29/2018**
By *[Signature]*
Miami-Dade Product Control



CHANGE LETTER	REVISION DESCRIPTION	DWN. BY:	CHKD. BY:	APPVD. BY:	APPVD. BY:	DATE
	PennBarry 605 Shiloh RD Plano, TX 75074	CJD	SDL	MMM		
		12/4/17	12/4/17	12/4/17		
SHEET 11 OF 11		PLOT SCALE NONE		ECN		
TITLE PHHW PENNHOUSE PART DETAILS		DWG. NO. 60-022497-00D				