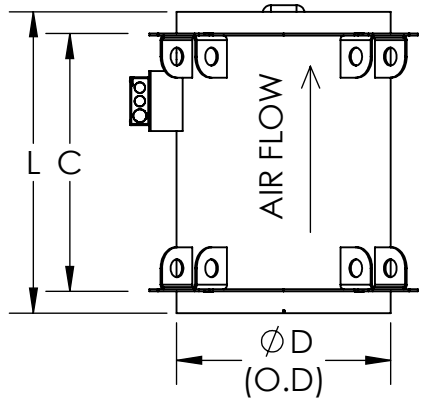
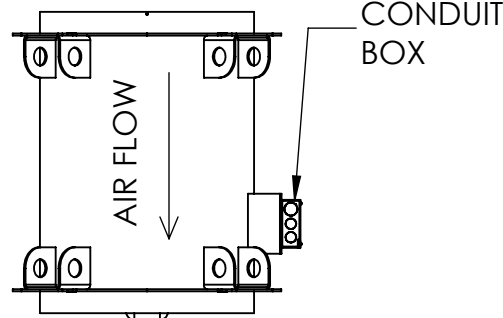


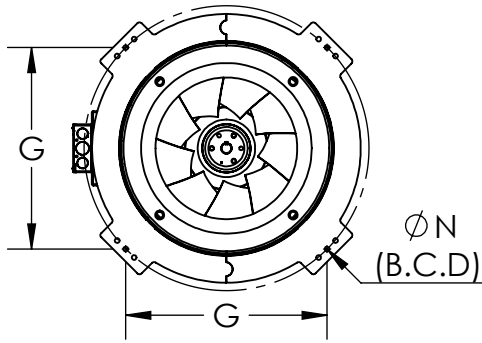
**MXI-ARRANGEMENT- 4, LEVEL 1,
 VERTICAL DISCHARGE**



VERTICAL UPBLAST



VERTICAL DOWNBLAST



INLET VIEW

Standard Construction:

- 1.High Efficiency Welded Mixed Flow Wheel
- 2.Welded Guide Vanes
- 3.Extended Lube Lines
- 4.Motor Tunnel
- 5.Bolted Mounting Feet

Accessories:

- | | |
|--|---|
| <ol style="list-style-type: none"> 1.AMCA B Spark Resistant Construction 2.AMCA C Spark Resistant Construction 3.Mounting Rails 4.Vibration Isolators 5.Piezo Ring 6.Disconnect Switch | <ol style="list-style-type: none"> 7.Access Door- Hinged or Bolted 8.Copper Lube Lines 9.Inlet and/or Outlet Flange 10.Inlet and/or Outlet Guard 11.Companion Flange 12.Drain 13.Flexible Duct Connector 14.VFD |
|--|---|

DIMENSIONAL DATA

Size	C	D	G	L	N	MAX MTR FRAME SIZE	LESS MOTOR WEIGHT (LBS.)
122	21 1/2	17 7/8	16 13/16	25 1/8	23 3/4	145T	139
135	24 3/16	19 3/4	18 1/8	27 13/16	25 5/8	145T	169
150	27 1/4	21 7/8	19 11/16	30 7/8	27 13/16	145T	197
165	30 3/8	23 3/8	20 3/4	33 15/16	29 3/8	184T	226
182	33 7/8	25 13/16	22 1/2	37 7/16	31 13/16	215T	291
200	37 9/16	28 3/8	24 5/16	41 3/16	34 3/8	215T	339
222	42 1/16	31 7/16	27 1/8	45 11/16	38 3/8	256T	476
245	46 13/16	34 11/16	29 7/16	50 7/16	41 5/8	256T	572
270	51 15/16	38 3/16	31 15/16	55 9/16	45 3/16	286T	716
300	58 1/8	42 7/16	35 5/8	61 3/4	50 3/8	286T	861
330	64 3/8	46 5/8	38 5/8	68	54 5/8	286T	1007
365	71 1/2	51 9/16	42 1/8	75 1/8	59 9/16	326T	1358
402	79 1/8	56 3/4	45 13/16	82 3/4	64 13/16	365T	1633
445	88	62 13/16	50 13/16	91 5/8	71 7/8	365T	1909
490	97 1/4	69 1/8	56 1/4	100 7/8	79 1/2	365T	2565
542	107 15/16	76 7/16	62 1/8	111 9/16	87 7/8	405T	2984
600	119 7/8	84 9/16	67 3/8	123 1/2	95 1/16	444T	3606

ALL DIMENSIONS ARE IN INCHES

REVISION:

FORM:

REPLACES: