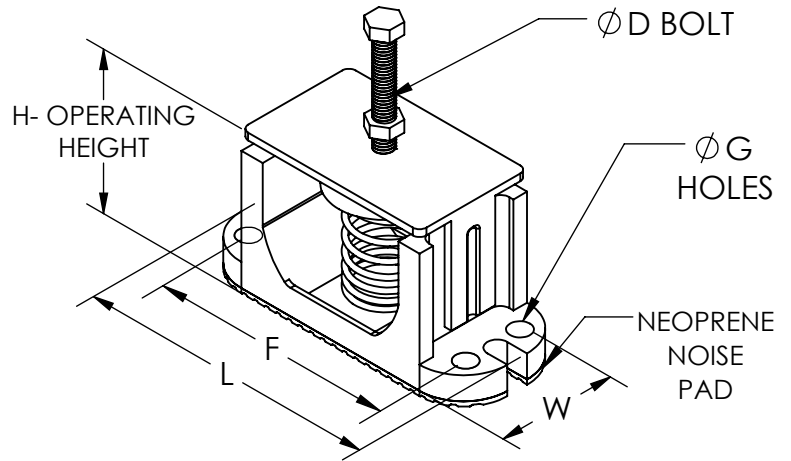
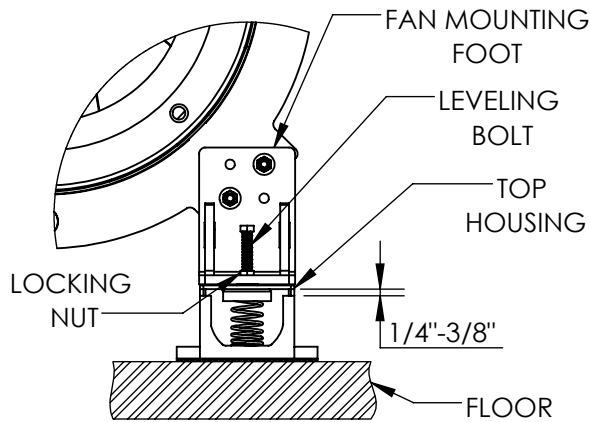


**MXI- ISOLATOR, BASE MOUNT,  
 HOUSED SPRING**



**INSTALLATION INSTRUCTIONS-**

1. JACK UP FAN TO BE ISOLATED, SLIDE THE SPRING ISOLATOR UNDER FAN MOUNTING FOOT. ALIGN HOLE IN ISOLATOR TOP HOUSING WITH THAT OF FAN MOUNTING FOOT.
2. THREAD LOCK NUT WELL UP ON LEVELING BOLT AND THREAD THE LEVELING BOLT THRU FAN MOUNTING FOOT TO ISOLATOR TOP HOUSING.
3. LOWER THE FAN ONTO SPRING ISOLATOR, TURN THE LEVELING BOLT CLOCKWISE TO THE LOWEST. CONTINUE TO TURN EACH LEVELING BOLT UNTIL TOP PLATE REACHES OPERATING HEIGHT. MAINTAIN CLEARANCE IS ISOLATOR HOUSING AS SHOWN.
4. AFTER FAN IS LEVEL, TIGHTEN THE LOCKNUT TO PREVENT LEVELING BOLT AGAINST TURNING.
5. DO NOT ATTEMPT TO PLACE ALL THE WEIGHT ON ONE SPRING, BUT DISTRIBUTE THE LOAD PROPORTIONATELY BY ADJUSTING EACH ISOLATOR IN SEQUENCE. TAKE CARE NOT TO PUSH THE EQUIPMENT SIDEWAYS.

**DIMENSIONAL DATA**

LEVEL 1 SIZE	RATED LOAD(lbs)	RATED DEFLECTION(in)	D	F	G	H	L	W
122	70	1.36	3/8	NA	NA	3 1/2	6 1/8	2 1/8
135-165	120	1.18	3/8	NA	NA	3 1/2	6 1/8	2 1/8
182-222	220	1.07	3/8	NA	NA	3 1/2	6 1/8	2 1/8
245-300	370	0.96	3/8	NA	NA	3 1/2	6 1/8	2 1/8
330-365	500	1.00	3/8	NA	NA	3 1/2	6 1/8	2 1/8
402	600	1.00	3/8	NA	NA	3 1/2	6 1/8	2 1/8
445	805	1.01	3/8	NA	NA	3 1/2	6 1/8	2 1/8
490	1000	1.15	5/8	7 1/2	7/16	5	9	3 1/2
542	1250	1.09	5/8	7 1/2	7/16	5	9	3 1/2
600	1700	0.95	5/8	7 1/2	7/16	5	9	3 1/2

ALL DIMENSIONS ARE IN INCHES

REVISION:

FORM:

REPLACES: