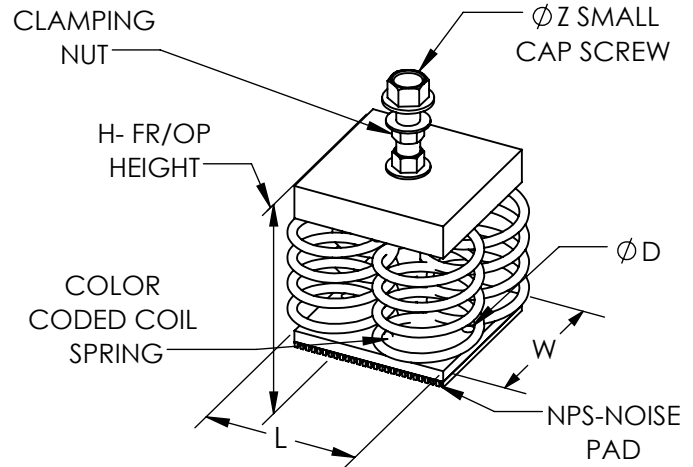
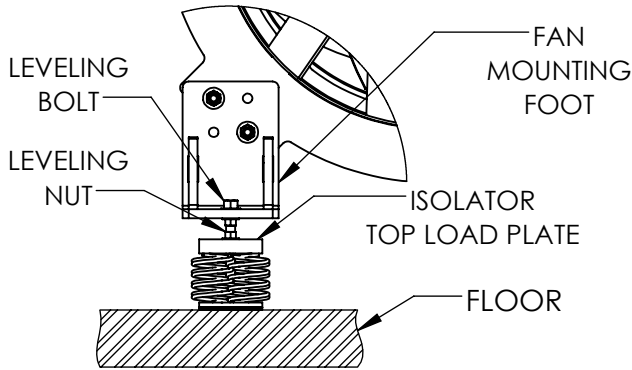


**MXI-ISOLATOR, BASE MOUNT,  
 FREE STANDING SPRING**



**INSTALLATION INSTRUCTIONS-**

1. THREAD THE LEVELING BOLT INTO THE TOP LOAD PLATE OF THE SPRING. REMOVE THE SMALL CAP SCREW AND WASHER.
2. JACK UP FAN TO BE ISOLATED, SLIDE THE SPRING ISOLATOR UNDER FAN MOUNTING FOOT. INSERT THE SMALL CAP SCREW THROUGH FAN MOUNTING FOOT AND TIGHTEN FINGER TIGHT.
3. SIZE 300 AND ABOVE (WEIGHS 1,000 LBS OR MORE), USE OF BLOCKS BENEATH THE FEETS NEAR EACH ISOLATOR POINT WILL ASSIST INSTALLATION. TURN THE LEVELING BOLT COUNTER CLOCKWISE ONE OR TWO TURNS AT EACH ISOLATOR.
4. UP TO SIZE 270, WHERE BLOCKS ARE NOT NEEDED, TURN THE LEVELING BOLT COUNTER-CLOCKWISE TO THE LOWEST.
5. TIGHTEN THE SMALL CAP SCREW TO LOCK LEVELING BOLT AGAINST TURNING.
6. DO NOT ATTEMPT TO PLACE ALL THE WEIGHT ON ONE SPRING, BUT DISTRIBUTE THE LOAD PROPORTIONATELY BY ADJUSTING EACH ISOLATOR IN SEQUENCE. TAKE CARE NOT TO PUSH THE EQUIPMENT SIDWAYS.

**DIMENSIONAL DATA**

LEVEL 1 SIZE	RATED LOAD(lbs)	RATED DEFLECTION(in)	SPRING O.D.	D	H	L	W	Z
122	70	1.36	1 3/4	11/16	4 3/16	2 5/8	2 5/8	3/8
135-165	120	1.18	1 3/4	11/16	4 3/16	2 5/8	2 5/8	3/8
182-200	220	1.07	1 3/4	11/16	4 3/16	2 5/8	2 5/8	3/8
222	250	1.79	3	1	5 7/16	3 7/8	3 7/8	3/8
245-270	370	0.96	1 3/4	11/16	4 3/16	2 5/8	2 5/8	3/8
300-365	450	1.54	3	1	5 7/16	3 7/8	3 7/8	3/8
402	625	1.44	3	1	5 7/16	3 7/8	3 7/8	3/8
445	800	1.31	3	1	5 7/16	3 7/8	3 7/8	3/8
490	1000	1.15	3	1	5 7/16	3 7/8	3 7/8	3/8
542	1250	1.09	3	1	5 7/16	3 7/8	3 7/8	3/8
600	2200	1.00	3	1	5 7/16	3 7/8	3 7/8	3/8

ALL DIMENSIONS ARE IN INCHES

REVISION:

FORM:

REPLACES: