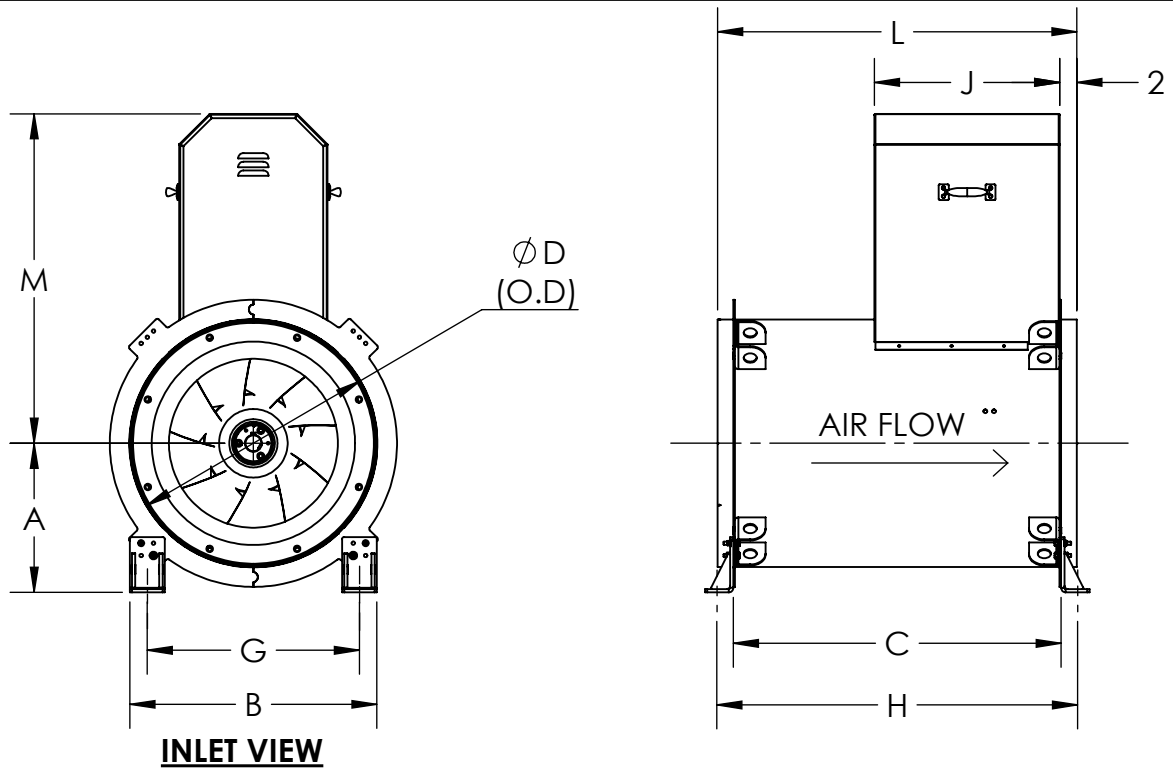




DATE: TAG:
 JOB:
 PROJECT:
 COMPANY:
 SALES PERSON:

MXI- ARRANGEMENT 9
 WITH WEATHER COVER



DIMENSIONAL DATA

Size	A	B	C	D	G	H	J	L	M
122	12 11/16	20 13/16	21 1/8	17 7/8	16 13/16	25 1/4	18 13/16	25 1/8	27
135	14	22 1/8	23 13/16	19 3/4	18 1/8	27 15/16	18 15/16	27 13/16	28 1/2
150	14 3/4	23 11/16	26 7/8	21 7/8	19 11/16	31 1/16	20 3/4	30 7/8	32 3/4
165	15 5/16	24 3/4	30	23 3/8	20 3/4	34 1/8	21 1/4	33 15/16	34
182	16 3/16	26 1/2	33 1/2	25 13/16	22 1/2	37 5/8	20 7/16	37 7/16	35 1/2
200	17 1/16	28 5/16	37 3/16	28 3/8	24 5/16	41 5/16	21 1/4	41 3/16	37 3/4
222	19 5/8	32 1/8	41 3/4	31 7/16	27 1/8	45 7/8	23 1/4	45 11/16	40
245	20 7/8	34 3/8	46 7/16	34 11/16	29 3/8	52 1/16	29 1/4	50 7/16	41 3/4
270	22 1/8	36 15/16	51 7/16	38 3/16	31 15/16	57 1/4	32 1/4	55 9/16	46
300	24 3/4	40 5/8	57 5/8	42 7/16	35 5/8	63 7/16	33 1/4	61 3/4	48
330	26 1/4	43 5/8	63 7/8	46 5/8	38 5/8	69 5/8	35 1/4	68	51
365	29	47 5/8	71 3/16	51 9/16	42 1/8	77 1/16	41 1/4	75 1/8	58
402	31 7/8	51 5/16	78 3/4	56 3/4	45 13/16	84 11/16	41 1/4	82 3/4	63 3/4
445	34 3/8	56 5/16	87 5/8	62 13/16	50 13/16	93 1/2	42 1/4	91 5/8	67 1/2
490	38 1/2	63 3/4	96 7/8	69 1/8	56 1/4	104 1/4	42 1/4	100 7/8	72
542	41 7/16	69 5/8	107 5/8	76 7/16	62 1/8	115	52 1/4	111 9/16	76
600	46 1/2	76 3/16	119 9/16	84 9/16	67 3/16	126 15/16	52 3/4	123 1/2	83 1/2

ALL DIMENSIONS ARE IN INCHES

REVISION:

FORM:

REPLACES: