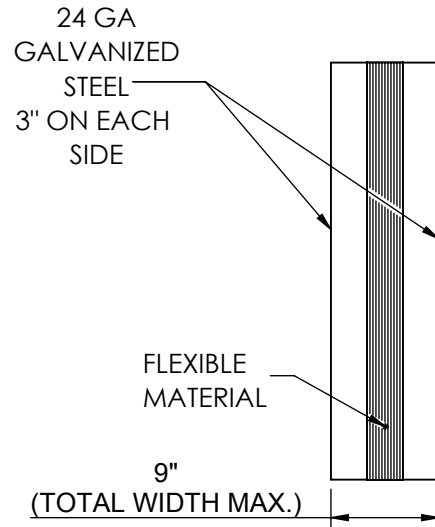
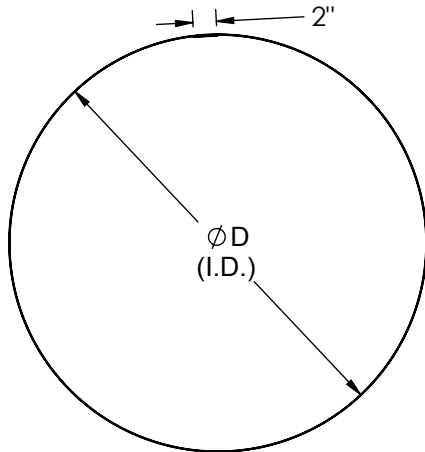


MXI-ACCESSORY
 FLEXIBLE DUCT CONNECTOR



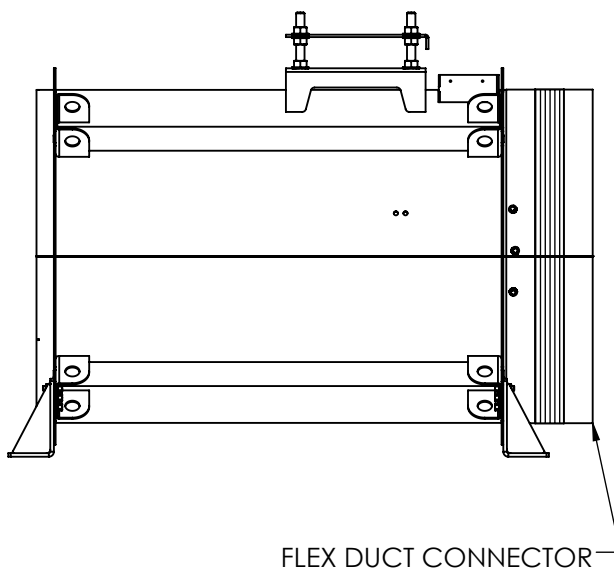
MATERIAL-

1. MATERIAL IS SHIPPED LOOSE WITH FAN AND INSTALLED BY END USERS.
2. FOR INDOOR UNITS NEOPRENE COATED FIBERGLASS FABRIC WILL BE USED AS FLEXIBLE MATERIAL.
3. FOR OUTDOOR UNITS HYPALON WILL BE USED AS FLEXIBLE MATERIAL.
4. MIN 2" OVERLAPPING MATERIAL IS PROVIDED FOR ADHESIVE.

FASTENING OPTIONS (PROVIDED BY OTHERS)-

1. USING STEEL DUCT CLAMPS.
2. BOLTING INTO FAN USING SELF TAPERS.

DIMENSIONAL DATA:



SIZES	D
122	17 7/8
135	19 3/4
150	21 7/8
165	23 3/8
182	25 13/16
200	28 3/8
222	31 7/16
245	34 11/16
270	38 3/16
300	42 7/16
330	46 5/8
365	51 9/16
402	56 3/4
445	62 13/16
490	69 1/8
542	76 7/16
600	84 9/16

ALL DIMENSIONS ARE IN INCHES