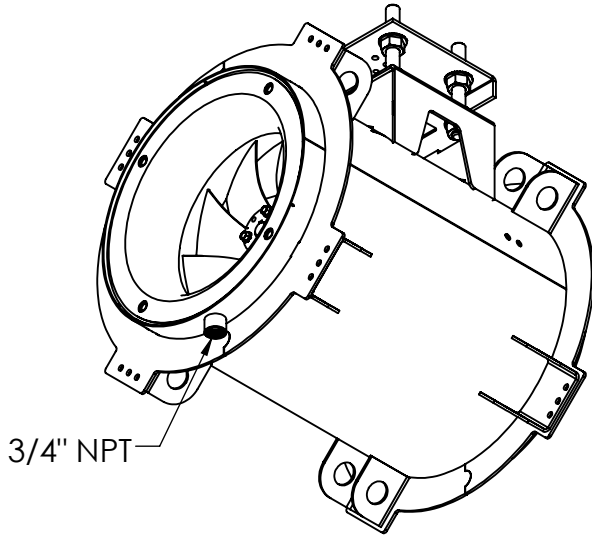
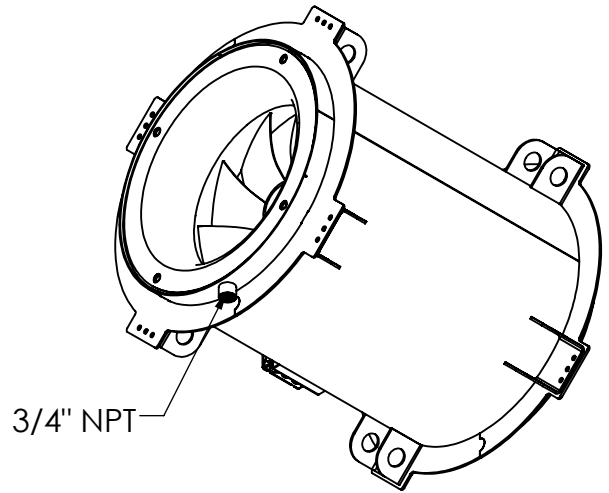


MXI-ACCESSORY
 DRAIN



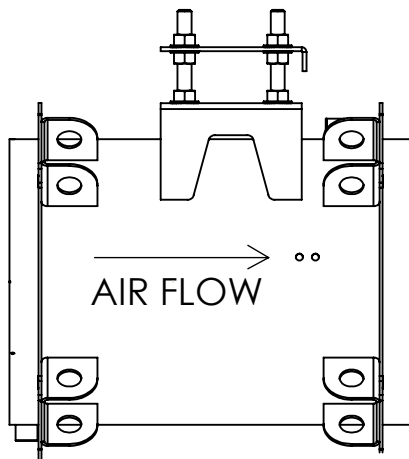
BELT DRIVE

DRAIN WILL BE LOCATED AT
 6:00 PER MOTOR POSITION

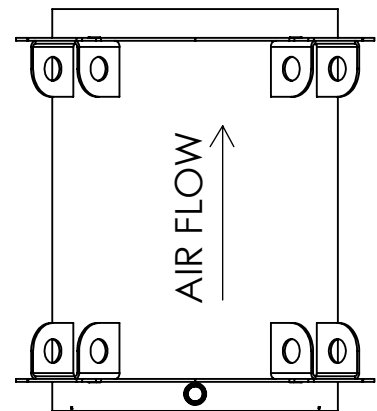


DIRECT DRIVE

CONDUIT BOX ALWAYS AT 3:00
 AND DRAIN AT 6:00



FOR HORIZONTAL DISCHARGE
 (BELT DRIVE SHOWN)



FOR VERTICAL UPBLAST
 (BELT DRIVE SHOWN)