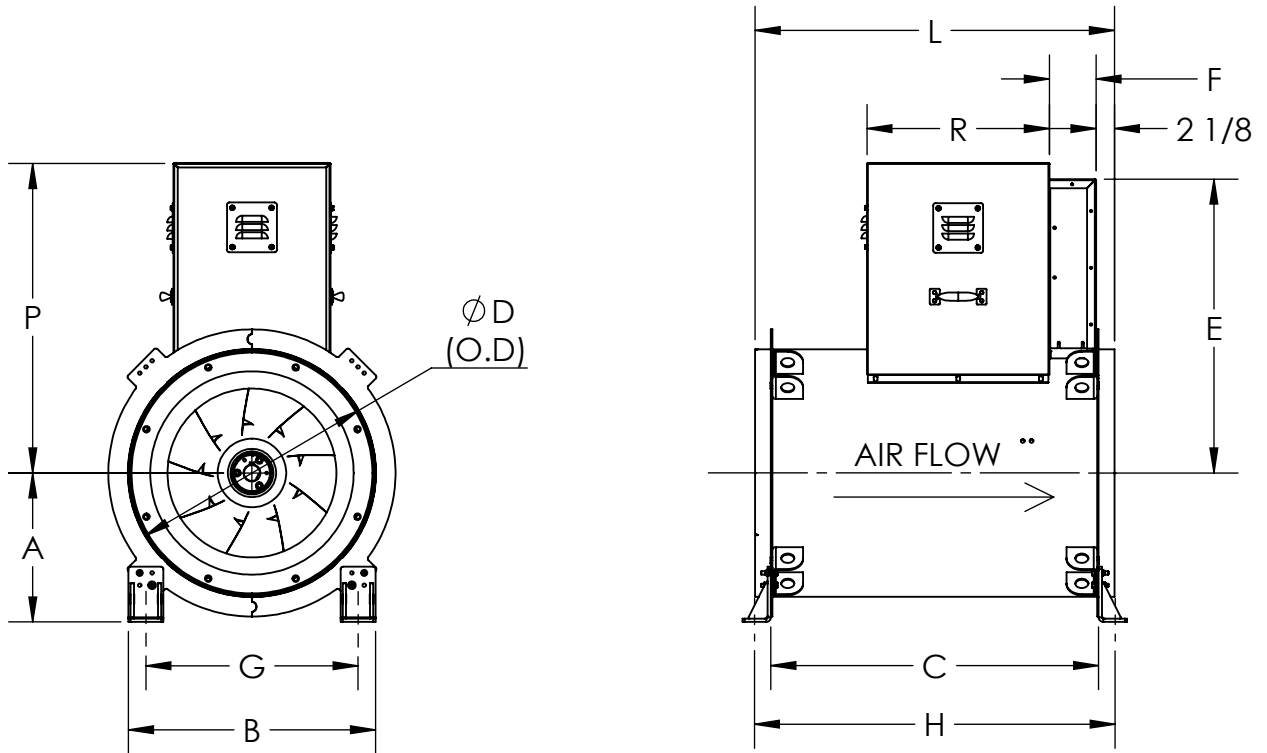




DATE: TAG:
 JOB:
 PROJECT:
 COMPANY:
 SALES PERSON:

**MXI- ARRANGEMENT 9
 WITH MOTOR COVER**



INLET VIEW

DIMENSIONAL DATA

Size	A	B	C	D	E	F	G	H	L	P	R
122	12 11/16	20 13/16	21 1/8	17 7/8	25 1/2	3 7/16	16 13/16	25 1/4	25 1/8	27	15 7/8
135	14	22 1/8	23 13/16	19 3/4	26 3/4	3 3/4	18 1/8	27 15/16	27 13/16	27 15/16	15 13/16
150	14 3/4	23 11/16	26 7/8	21 7/8	28 3/16	4 1/8	19 11/16	31 1/16	30 7/8	28 15/16	16 15/16
165	15 5/16	24 3/4	30	23 3/8	29 13/16	4 1/2	20 3/4	34 1/8	33 15/16	30 1/2	17 7/8
182	16 3/16	26 1/2	33 1/2	25 13/16	31 13/16	4 15/16	22 1/2	37 5/8	37 7/16	34 7/16	20 3/4
200	17 1/16	28 5/16	37 3/16	28 3/8	33 11/16	5 7/16	24 5/16	41 5/16	41 3/16	35 1/2	20 7/8
222	19 5/8	32 1/8	41 3/4	31 7/16	35 5/8	6	27 1/8	45 7/8	45 11/16	37	18 3/16
245	20 7/8	34 3/8	46 7/16	34 11/16	38 7/8	6 9/16	29 3/8	52 1/16	50 7/16	42 1/4	23 1/2
270	22 1/8	36 15/16	51 7/16	38 3/16	41 5/16	7 1/4	31 15/16	57 1/4	55 9/16	44	23 5/16
300	24 3/4	40 5/8	57 5/8	42 7/16	43 13/16	8	35 5/8	63 7/16	61 3/4	46 1/16	27 5/16
330	26 1/4	43 5/8	63 7/8	46 5/8	46 5/8	8 11/16	38 5/8	69 5/8	68	47 11/16	26
365	29	47 5/8	71 3/16	51 9/16	52 3/16	9 11/16	42 1/8	77 1/16	75 1/8	52 3/4	28 1/4
402	31 7/8	51 5/16	78 3/4	56 3/4	55 13/16	10 5/8	45 13/16	84 11/16	82 3/4	56 15/16	30 1/4
445	34 3/8	56 5/16	87 5/8	62 13/16	59 9/16	11 3/4	50 13/16	93 1/2	91 5/8	60 15/16	32 1/4
490	38 1/2	63 3/4	96 7/8	69 1/8	62 3/4	12 7/8	56 1/4	104 1/4	100 7/8	62 3/4	30 3/16
542	41 7/16	69 5/8	107 5/8	76 7/16	67 3/8	14 1/4	62 1/8	115	111 9/16	68 3/8	38 3/16
600	46 1/2	76 3/16	119 9/16	84 9/16	71 7/16	15 3/4	67 3/16	126 15/16	123 1/2	73 5/16	37 3/16

ALL DIMENSIONS ARE IN INCHES

REVISION:

FORM:

REPLACES: