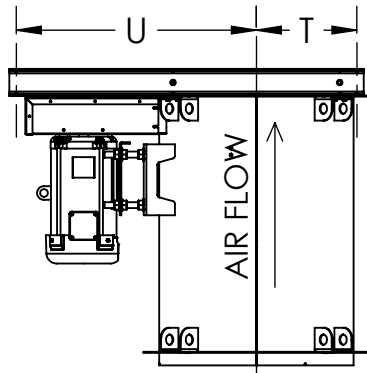
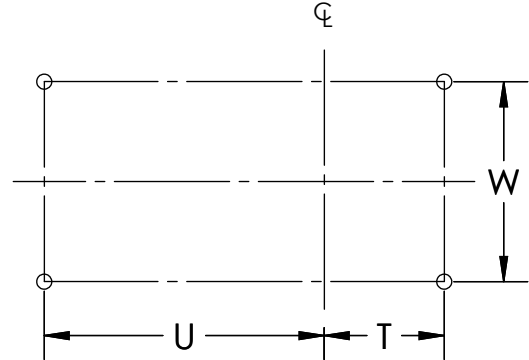


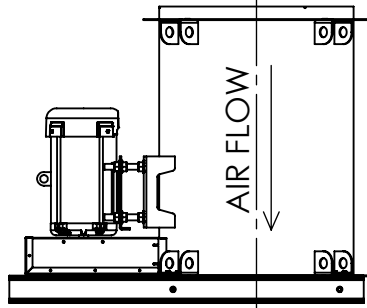
**MXI-ARRANGEMENT 9
 VERTICAL DISCHARGE, MOUNTING RAIL**



VERTICAL CEILING HUNG



FOUNDATION PLAN VIEW



VERTICAL BASE MOUNT

- **MOUNTING RAILS ARE NEEDED WHEN FAN WILL BE MOUNTED IN VERTICAL UPBLAST OR DOWNBLAST ARRANGEMENT EITHER CEILING HUNG OR BASE MOUNTED.**
- **MOUNTING RAILS TO BE SHIPPED LOOSE WITH HARDWARE.**
- **ISOLATORS ARE SUPPLIED AS PER ORDER**

DIMENSIONAL DATA

Size	T	U	W	MOUNTING RAIL SECTION	LESS MOTOR/ DRIVE WEIGHT (LBS.)
122	10 7/8	26 1/2	26 3/4	C3 x 4.1	186
135	11 9/16	27 7/16	29 3/8	C3 x 4.1	218
150	12 5/16	28 7/16	31	C3 x 4.1	249
165	12 7/8	30	32	C3 x 4.1	280
182	13 3/4	33 15/16	32 1/8	C4 x 5.4	362
200	14 5/8	35	35 3/4	C4 x 5.4	449
222	16 1/16	36 1/2	41	C5 x 6.7	587
245	17 3/16	41 3/4	43 5/8	C6x 8.2	714
270	18 7/16	43 1/2	46 1/4	C6x 10.5	856
300	20 5/16	45 9/16	51 1/2	C6x 10.5	1027
330	21 13/16	47 3/16	54 3/4	C8x8.5	1185
365	23 9/16	52 1/4	60 1/4	C8x8.5	1227
402	25 7/16	56 7/16	66 1/4	C10x15.3	1535
445	27 7/8	60 7/16	71 7/8	C12x20.7	1980
490	30 5/8	62 1/4	80 3/16	C12x20.7	2511
542	33 9/16	67 7/8	86	C12x20.7	3022
600	36 1/8	72 13/16	96 1/8	C12x20.7	4382

ALL DIMENSIONS ARE IN INCHES

REVISION:

FORM:

REPLACES: