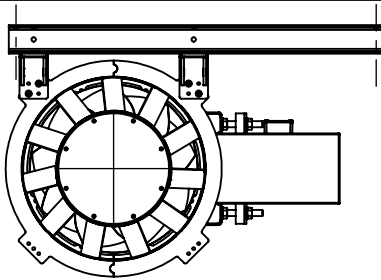
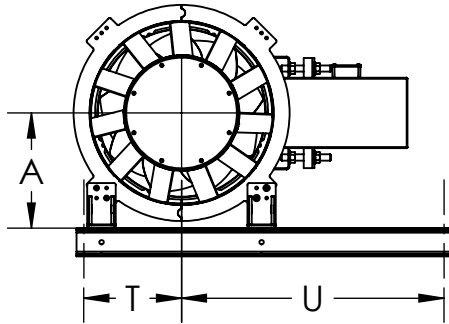


**MXI-ARRANGEMENT-9, LEVEL 1,  
 HORIZONTAL, MOUNTING RAIL**

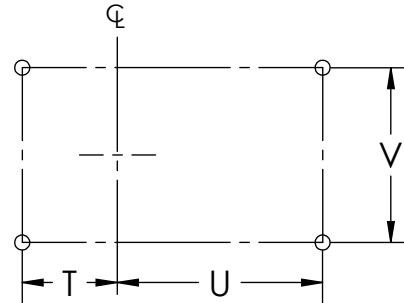


**HORIZONTAL CEILING HUNG**

ALL VIEWS ARE FROM DISCHARGE END  
 WITH "C" MOTOR POSITION



**HORIZONTAL BASE MOUNT**



**FOUNDATION PLAN VIEW**

- MOUNTING RAILS ARE NEEDED WHEN FAN WILL BE MOUNTED HORIZONTALLY WITH USE OF ISOLATORS AND AT MOTOR POSITIONS "C" AND "G"
- "G" POSITION OF MOTOR WILL BE EXACTLY OPPOSITE TO "C"
- MOUNTING RAILS TO BE SHIPPED LOOSE WITH HARDWARE
- ISOLATORS ARE SUPPLIED AS PER ORDER

**DIMENSIONAL DATA**

Size	A	T	U	V	Mounting Rail Section	LESS MOTOR/ DRIVE WEIGHT (LBS.)
122	12 11/16	10 7/8	29 1/2	25 1/4	C3 x 4.1	186
135	14	11 9/16	30 7/16	27 15/16	C3 x 4.1	218
150	14 3/4	12 5/16	31 7/16	31 1/16	C3 x 4.1	249
165	15 5/16	12 7/8	33	34 1/8	C3 x 4.1	280
182	16 3/16	13 3/4	36 7/8	37 5/8	C4 x 5.4	362
200	17 1/16	14 5/8	38	41 5/16	C4 x 5.4	449
222	19 5/8	17 1/16	39 9/16	45 7/8	C5 x 6.7	587
245	20 7/8	18 3/16	44 3/4	52 1/16	C6x 8.2	714
270	22 1/8	19 7/16	46 1/2	57 1/4	C6x 10.5	856
300	24 3/4	21 5/16	48 9/16	63 7/16	C6x 10.5	1027
330	26 1/4	22 13/16	50 3/16	69 5/8	C8x11.5	1185
365	29	24 9/16	56 3/8	77 1/16	C8x11.5	1227
402	31 7/8	27 7/16	59 9/16	84 11/16	C10x15.3	1535
445	34 5/16	29 7/8	63 11/16	93 1/2	C12x30	1980
490	38 1/2	32 5/8	67 5/16	104 1/4	C12x30	2511
542	41 7/16	35 9/16	72 1/8	115	C12x30	3022
600	46 1/2	38 5/8	77 15/16	126 15/16	C12x30	4382

ALL DIMENSIONS ARE IN INCHES