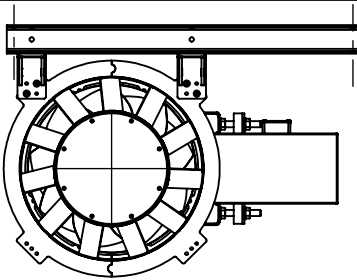
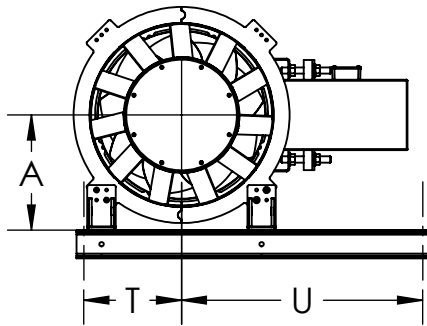


**MXI-ARRANGEMENT 9
 HORIZONTAL MOUNTING RAIL**

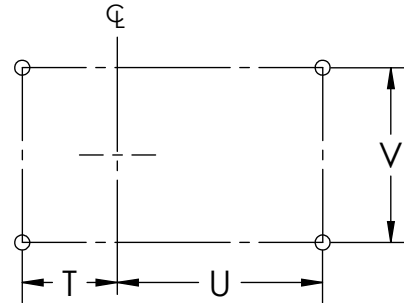


HORIZONTAL CEILING HUNG

ALL VIEWS ARE FROM DISCHARGE END
 WITH "C" MOTOR POSITION



HORIZONTAL BASE MOUNT



FOUNDATION PLAN VIEW

- MOUNTING RAILS ARE NEEDED WHEN FAN WILL BE MOUNTED HORIZONTALLY WITH USE OF ISOLATORS AND AT MOTOR POSITIONS "C" AND "G"
- "G" POSITION OF MOTOR WILL BE EXACTLY OPPOSITE TO "C"
- MOUNTING RAILS TO BE SHIPPED LOOSE WITH HARDWARE
- ISOLATORS ARE SUPPLIED AS PER ORDER

DIMENSIONAL DATA

Size	A	T	U	V	Mounting Rail Section	LESS MOTOR/ DRIVE WEIGHT (LBS.)
122	12 11/16	10 7/8	26 1/2	25 1/4	C3 x 4.1	186
135	14	11 9/16	27 7/16	27 15/16	C3 x 4.1	218
150	14 3/4	12 5/16	28 7/16	31 1/16	C3 x 4.1	249
165	15 5/16	12 7/8	30	34 1/8	C3 x 4.1	280
182	16 3/16	13 3/4	33 15/16	37 5/8	C4 x 5.4	362
200	17 1/16	14 5/8	35	41 5/16	C4 x 5.4	449
222	19 5/8	16 1/16	36 1/2	45 7/8	C5 x 6.7	587
245	20 7/8	17 3/16	41 3/4	52 1/16	C6x 8.2	714
270	22 1/8	18 7/16	43 1/2	57 1/4	C6x 10.5	856
300	24 3/4	20 5/16	45 9/16	63 7/16	C6x 10.5	1027
330	26 1/4	21 13/16	47 3/16	69 5/8	C8x8.5	1185
365	29	23 9/16	52 1/4	77 1/16	C8x8.5	1227
402	31 7/8	25 7/16	56 7/16	84 11/16	C10x15.3	1535
445	34 3/8	27 7/8	60 7/16	93 1/2	C12x20.7	1980
490	38 1/2	30 5/8	62 1/4	104 1/4	C12x20.7	2511
542	41 7/16	33 9/16	67 7/8	115	C12x20.7	3022
600	46 1/2	36 1/8	72 13/16	126 15/16	C12x20.7	4382

ALL DIMENSIONS ARE IN INCHES

REVISION:

FORM:

REPLACES: