



DEPARTMENT OF REGULATORY AND ECONOMIC RESOURCES (RER)
BOARD AND CODE ADMINISTRATION DIVISION

NOTICE OF ACCEPTANCE (NOA)

MIAMI-DADE COUNTY
PRODUCT CONTROL SECTION
11805 SW 26 Street, Room 208
Miami, Florida 33175-2474
T (786) 315-2590 F (786) 315-2599
www.miamidade.gov/economy

Air System Components, Inc. dba PennBarry
605 Shiloh Rd.
Plano, TX 75074

SCOPE:

This NOA is being issued under the applicable rules and regulations governing the use of construction materials. The documentation submitted has been reviewed and accepted by Miami-Dade County RER-Product Control Section to be used in Miami Dade County and other areas where allowed by the Authority Having Jurisdiction (AHJ).

This NOA shall not be valid after the expiration date stated below. The Miami-Dade County Product Control Section (In Miami Dade County) and/or the AHJ (in areas other than Miami Dade County) reserve the right to have this product or material tested for quality assurance purposes. If this product or material fails to perform in the accepted manner, the manufacturer will incur the expense of such testing and the AHJ may immediately revoke, modify, or suspend the use of such product or material within their jurisdiction. RER reserves the right to revoke this acceptance, if it is determined by Miami-Dade County Product Control Section that this product or material fails to meet the requirements of the applicable building code.

This product is approved as described herein, and has been designed to comply with the Florida Building Code, including the High Velocity Hurricane Zone.

DESCRIPTION: Series AC Powered Airette Exhaust and Supply Steel Rooftop Fans

APPROVAL DOCUMENT: Drawing No. **24555-0**, titled "Power Airette Exhaust and Supply Hooded Propeller Roof Ventilators", sheets 1 through 11 of 11, dated 09/09/2016, prepared by Air System Components, Inc. dba PennBarry, signed and sealed by Thomas D. Sullivan, P.E. on 08/14/2017, bearing the Miami-Dade County Product Control approval stamp with the Notice of Acceptance number and approval date by the Miami-Dade County Product Control Section.

MISSILE IMPACT RATING: Large and Small Missile Impact Resistant

LABELING: Each unit shall bear a permanent label with the manufacturer's name or logo, city, state, model/series, and following statement: "Miami-Dade County Product Control Approved", unless otherwise noted herein.

RENEWAL of this NOA shall be considered after a renewal application has been filed and there has been no change in the applicable building code negatively affecting the performance of this product.

TERMINATION of this NOA will occur after the expiration date or if there has been a revision or change in the materials, use, and/or manufacture of the product or process. Misuse of this NOA as an endorsement of any product, for sales, advertising or any other purposes shall automatically terminate this NOA. Failure to comply with any section of this NOA shall be cause for termination and removal of NOA.

ADVERTISEMENT: The NOA number preceded by the words Miami-Dade County, Florida, and followed by the expiration date may be displayed in advertising literature. If any portion of the NOA is displayed, then it shall be done in its entirety.

INSPECTION: A copy of this entire NOA shall be provided to the user by the manufacturer or its distributors and shall be available for inspection at the job site at the request of the Building Official.

This NOA consists of this page 1 and evidence page E-1, as well as approval document mentioned above.

The submitted documentation was reviewed by **Carlos M. Utrera, P.E.**



[Handwritten Signature]
08/20/2017

NOA No. 17-0112.10
Expiration Date: September 7, 2022
Approval Date: September 7, 2017
Page 1

NOTICE OF ACCEPTANCE: EVIDENCE SUBMITTED

A. DRAWINGS

1. Drawing No. **24555-0**, titled "Power Airette Exhaust and Supply Hooded Propeller Roof Ventilators", sheets 1 through 11 of 11, dated 09/09/2016, prepared by Air System Components, Inc. dba PennBarry, signed and sealed by Thomas D. Sullivan, P.E. on 08/14/2017.

B. TESTS

1. Test reports on 1) Uniform Static Air Pressure Test, Loading per FBC TAS 202-94
2) Large Missile Impact Test per FBC, TAS 201-94
along with marked-up drawings and installation diagram of Powered Airette AC Rooftop Supply Fans, prepared by Intertek/ATI, Test Report No. **G2358.01-801-18**, dated 09/23/2016, with revision dated 03/09/2017, signed and sealed by Tyler Westerling, P.E.

C. CALCULATIONS

1. Anchoring verification calculations prepared by JB & B Engineering Consultants, LLC, dated 08/09/2017, signed and sealed by Thomas D. Sullivan, P.E.

D. QUALITY ASSURANCE

1. Miami-Dade Department of Regulatory and Economic Resources (RER)

E. MATERIAL CERTIFICATIONS

1. None.

F. STATEMENTS

1. Statement letter of code conformance to the 5th Edition (2014) FBC and of no financial interest issued by JB & B Engineering Consultants, LLC, dated 04/03/2017 and signed and sealed by Thomas D. Sullivan, P.E.



08/28/2017

Carlos M. Utrera, P.E.
Product Control Examiner
NOA No. 17-0112.10
Expiration Date: September 7, 2022
Approval Date: September 7, 2017

NOTES:

1. THE PRODUCT SHOWN HEREIN IS DESIGNED AND MANUFACTURED TO COMPLY WITH REQUIREMENTS OF THE FLORIDA BUILDING CODE INCLUDING THE HVHZ.
2. WOOD AND METAL FRAMING TO BE DESIGNED AND ANCHORED TO PROPERLY TRANSFER ALL LOADS TO STRUCTURE. FRAMING IS THE RESPONSIBILITY OF THE ARCHITECT OR ENGINEER OF RECORD.
3. DISSIMILAR MATERIALS MUST BE SEPARATED WITH APPROVED COATING OR MEMBRANE. SELECTION OF COATING OR MEMBRANE IS THE RESPONSIBILITY OF THE ARCHITECT OR ENGINEER OF RECORD.
4. ALLOWABLE STRESS INCREASE OF 1/3 WAS NOT USED IN THE DESIGN OF THE PRODUCT SHOWN HEREIN. WIND LOAD DURATION FACTOR Cd=1.6 WAS USED FOR WOOD ANCHOR CALCULATIONS.
5. FOR ANCHORING INTO WOOD FRAMING, #12x2" WOOD SCREWS WITH SUFFICIENT LENGTH TO ACHIEVE A 1 5/8" MINIMUM EMBEDMENT INTO SUBSTRATE. LOCATE ANCHORS AS SHOWN IN INSTALLATION DETAILS ON SHEET 6 OF 11.
6. FOR ANCHORING INTO CONCRETE USE 1/4"x2" TAPCONS WITH SUFFICIENT LENGTH TO ACHIEVE A 1 3/4" MINIMUM EMBEDMENT INTO SUBSTRATE WITH 2 1/2" MINIMUM EDGE DISTANCE. LOCATE ANCHORS AS SHOWN IN INSTALLATION DETAILS ON SHEET 6 OF 11.
7. FOR ANCHORING INTO METAL STRUCTURE USE #12 SMS OR SELF DRILLING SCREWS WITH SUFFICIENT LENGTH TO ACHIEVE 3 THREADS MINIMUM BEYOND STRUCTURE INTERIOR WALL. LOCATE ANCHORS AS SHOWN IN INSTALLATION DETAILS ON SHEET 6 OF 11.
8. ALL FASTENERS TO BE CORROSION RESISTANT.
9. INSTALLATION ANCHORS SHALL BE INSTALLED IN ACCORDANCE WITH ANCHOR MANUFACTURER'S INSTALLATION INSTRUCTIONS AND ANCHORS SHALL NOT BE USED IN SUBSTRATES WITH STRENGTHS LESS THAN THE MINIMUM STRENGTH SPECIFIED BELOW:
 - A. WOOD - MINIMUM SPECIFIC GRAVITY OF G=0.55
 - B. CONCRETE - MINIMUM COMPRESSIVE STRENGTH OF 2,000 PSI.
 - C. METAL STRUCTURE: STEEL 1/8" THK., 36KSI (Min.)
10. THIS APPROVAL IS FOR STRUCTURAL PERFORMANCE AND IMPACT RESISTANCE ONLY. INTERIOR MECHANISM AND/OR ELECTRICAL CIRCUITRY ARE OUTSIDE THE SCOPE OF THIS APPROVAL.
11. THESE UNITS WERE NOT TESTED FOR WATER PENETRATION PER FBC. TAS 100(A). THEY CANNOT BE INSTALLED WITHIN RIDGE AREA (FBC 1523.6.5.2.13)

| REVISIONS | | | |
|-----------|-------------|------|----------|
| REV. | DESCRIPTION | DATE | APPROVED |
| A | - | - | - |

| TABLE OF CONTENTS | |
|-------------------|------------------------------|
| SHEET NO. | DESCRIPTION |
| 1 | GENERAL NOTES |
| 2 | ELEVATIONS |
| 3 | B. O. M. POWER AIRETTE 24 |
| 4 | B. O. M. POWER AIRETTE 48 |
| 5 | B. O. M. POWER AIRETTE 72 |
| 6 | POWER AIRETTE INSTALLATION 1 |
| 7 | CURB CAP FASTENERS |
| 8 | POWER AIRETTE INSTALLATION 2 |
| 9 | POWER AIRETTE COMPONENTS 24 |
| 10 | POWER AIRETTE COMPONENTS 48 |
| 11 | POWER AIRETTE COMPONENTS 72 |

PRODUCT APPROVED
 as complying with the Florida
 Building Code
 NOA-No. **17-0112.10**
 Approval Date **09/07/2017**
 By 
 Miami-Dade Product Control

ENGINEERING BUSINESS CERTIFICATE OF AUTHORIZATION NO. 3998

JB&B
 ENGINEERING
 CONSULTANTS, LLC
 5203 Silver Charm Terr.
 Wesley Chapel, FL 33544
 Office: 813-545-1323

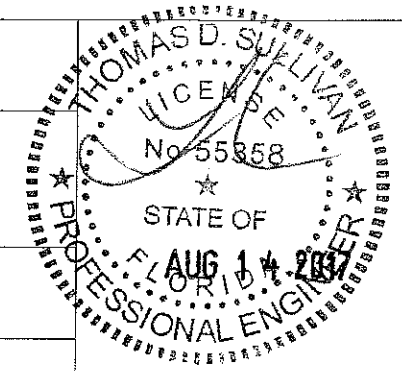
DATE: _____

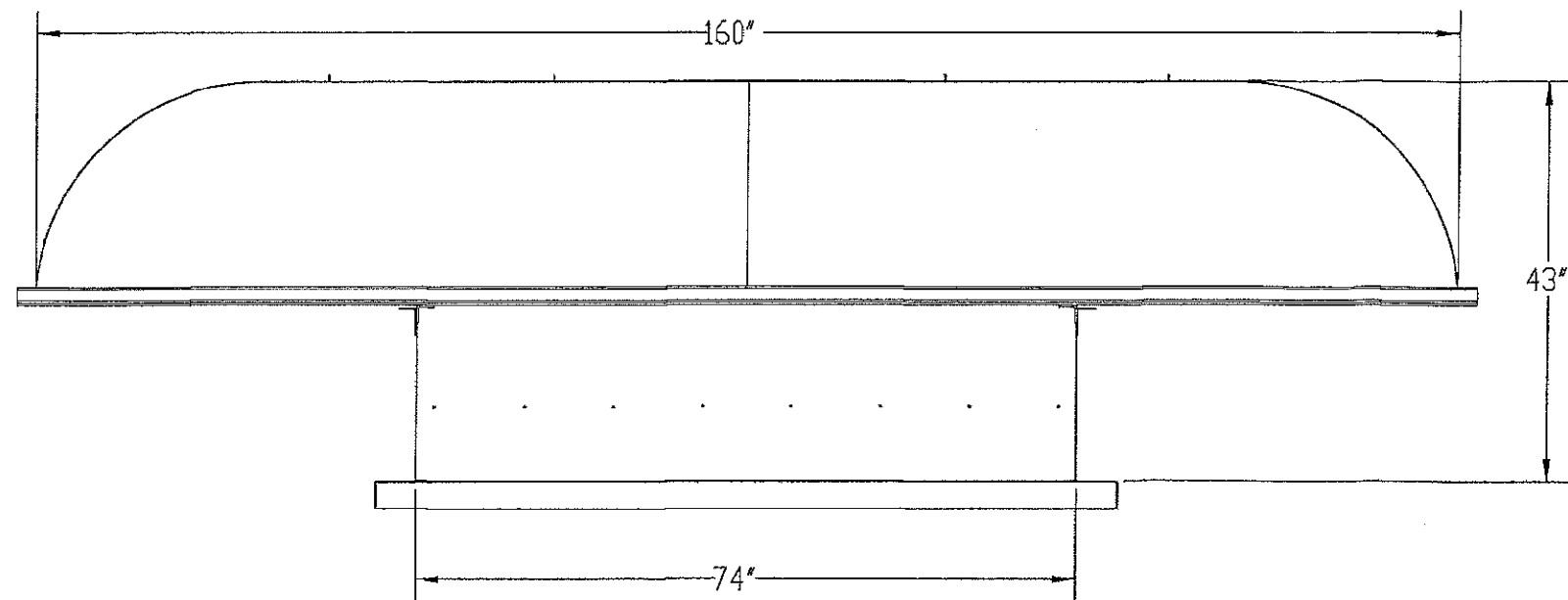
THOMAS D. SULLIVAN NO. 55358
 FLORIDA PROFESSIONAL ENGINEER

PennBarry 605 Shiloh RD Plano, TX 75074

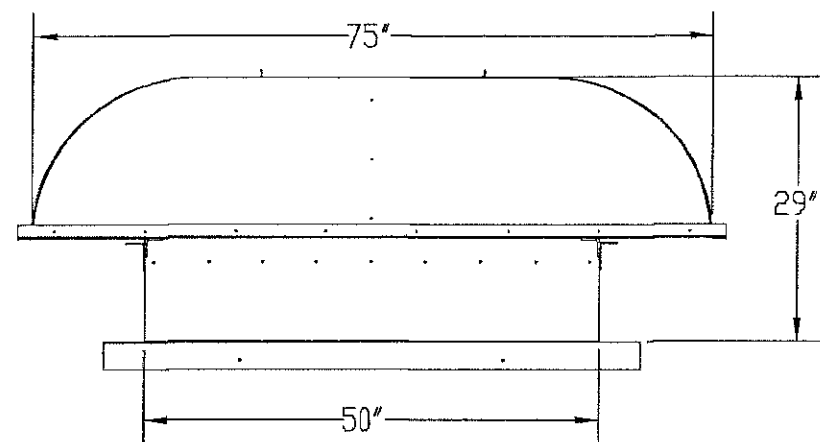
POWER AIRETTE EXHAUST AND SUPPLY
 HOODED PROPELLER ROOF VENTILATORS
 GENERAL NOTES

| | | |
|---------------|--------------------|------------------|
| DRAWN AMIT | DWG NO. 24555-0 | REV |
| SCALE NTS | DATE 09/09/2016 | SHEET 1 OF 11 |

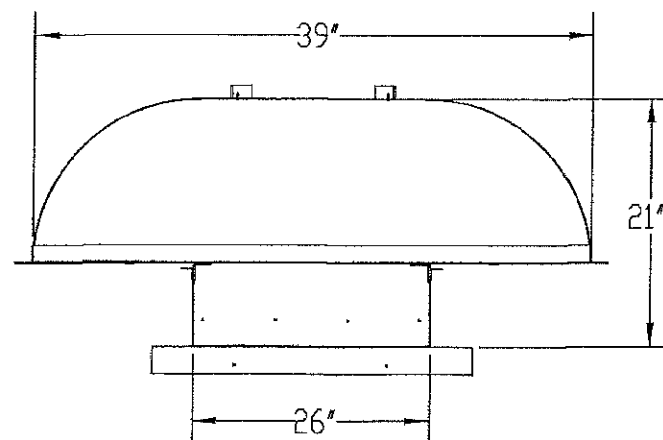




SIZE 72 POWER AIRETTE EXHAUST ROOF VENTILATOR
EXTERIOR VIEW



SIZE 48 POWER AIRETTE EXHAUST ROOF VENTILATOR
EXTERIOR VIEW



SIZE 24 POWER AIRETTE EXHAUST ROOF VENTILATOR
EXTERIOR VIEW

| REVISIONS | | | |
|-----------|-------------|------|----------|
| REV. | DESCRIPTION | DATE | APPROVED |
| A | - | - | - |

PRODUCT APPROVED
as complying with the Florida
Building Code
NOA-No. **17-0112.10**
Approval Date: **09/07/2017**
By *[Signature]*
Miami-Dade Product Control

| APPROVED MODELS | | | | | | |
|-----------------|--------------------|---------|------------------------|-------------|---------------------------|-------------------------|
| SIZES | HOOD SQ. SIZE (IN) | | AIRSHAFT SQ. SIZE (IN) | HEIGHT (IN) | WEIGHT DIRECT DRIVE (LBS) | WEIGHT BELT DRIVE (LBS) |
| | SUPPLY | EXHAUST | | | | |
| 24 | 48 | 39 | 26 | 21 | 300 | 300 |
| 30 | 57 | 48 | 32 | 25 | 350 | 350 |
| 36 | 66 | 57 | 38 | 25 | 450 | 450 |
| 42 | 75 | 66 | 44 | 29 | 625 | 625 |
| 48 | 84 | 75 | 50 | 29 | 750 | 750 |
| 54 | 93 | 84 | 56 | 31 | - | 1000 |
| 60 | 101x128 | 93 | 62 | 33 | - | 1150 |
| 72 | 93x190 | 93x160 | 74 | 43 | - | 1350 |

| | |
|------------------------|---------------|
| DESIGN PRESSURE RATING | IMPACT RATING |
| ±70.0PSF | NONE |

ENGINEERING BUSINESS CERTIFICATE OF AUTHORIZATION No. 3693

JB&B
ENGINEERING
CONSULTANTS, LLC
5203 Silver Charm Terr.
Wesley Chapel, FL 33544
Office: 813-545-1323

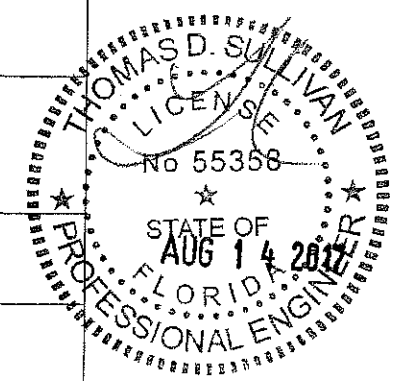
DATE: _____

THOMAS D. SULLIVAN NO. 55358
FLORIDA PROFESSIONAL ENGINEER

PennBarry 605 Shiloh RD Plano, TX 75074

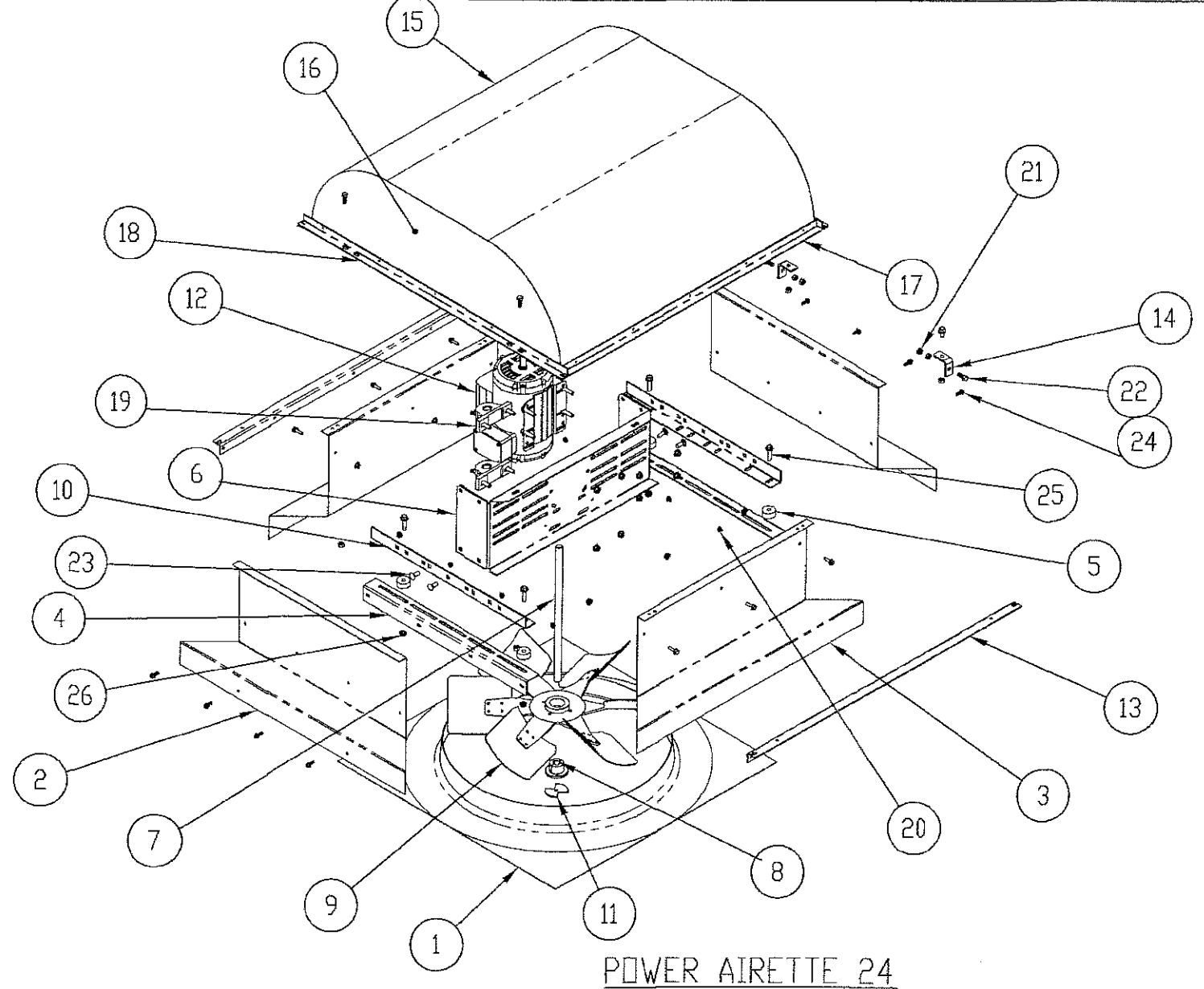
POWER AIRETTE EXHAUST AND SUPPLY
HOODED PROPELLER ROOF VENTILATORS
GENERAL NOTES

| | | | | | |
|-------|------|---------|------------|-------|---------|
| DRAWN | AMIT | DWG NO. | 24555-0 | REV | |
| SCALE | NTS | DATE | 09/09/2016 | SHEET | 2 OF 11 |



| ITEM NO. | PART NUMBER | DESCRIPTION | MANUFATURER | MAT. |
|----------|-----------------------|-----------------------------|-------------|-------|
| 1 | 08030-0 | VENTURI AC/AR24 34SQ GALV | PENNBARRY | GALV. |
| 2 | 08003 | AE 24 AIRSHAFT 1 | PENNBARRY | GALV. |
| 3 | 08013 | AE 24 AIRSHAFT 2 | PENNBARRY | GALV. |
| 4 | 08172-1 | AE 24 A FRAME SUPPORT ANGLE | PENNBARRY | GALV. |
| 5 | 18558-0 | HS-HZ-AEP24 MOTOR&BRG PLT | PENNBARRY | GALV. |
| 6 | 03378 | SHAFT STL 0.75 18.00 | PENNBARRY | STEEL |
| 7 | 55002-0 | BUSHING H-0.75 | --- | --- |
| 8 | 50242-0 | PROP AE24 | --- | --- |
| 10 | 18560-0 | HS-HZ-AEP24-36 MTR-BRG | --- | --- |
| 11 | 12103 | PROP LOCK PLATE(H)BUSHING | --- | --- |
| 12 | BALDOR 35LYE007_12.62 | MOTOR | --- | --- |
| 13 | 08011 | HOOD SUPPORT ANGLE | PENNBARRY | GALV. |
| 14 | 08090 | PIVOT LUG (AE 24-30) HRS | --- | --- |
| 15 | 08103 | AE 24 HOOD TOP | PENNBARRY | GALV. |
| 16 | 08133 | AE 24 HOOD SIDE SNAPLOCK | PENNBARRY | GALV. |
| 17 | 08146 | AE 24 HOOD ANGLE ITEM A | PENNBARRY | GALV. |
| 18 | 08147 | AE 24 HOOD ANGLE ITEM B | PENNBARRY | GALV. |
| 19 | 6494K13 | BEARING, PILLOW BLOCK-0.75" | --- | --- |
| 20 | 96282A101 | WHIZ NUT .25-20 | --- | --- |
| 21 | 95462A515 | HEX NUT 3/8-16 | --- | --- |
| 22 | 91309A624 | HEX HD BOLT 3/8-16 X 1.0L | --- | --- |
| 23 | 190021-N10 | 3/8-16 X 1.0L CARRAGE BOLT | --- | --- |
| 24 | 190010-K8 | WHIZ BOLT 1/4-20 X 1 | --- | --- |
| 25 | 190010-D15 | WHIZ BOLT 3/8-16 X 1.5L | --- | --- |
| 26 | 190013-D | NUT WHIZ 3/8-16 FLANGE | --- | --- |

| REVISIONS | | | |
|-----------|-------------|------|----------|
| REV. | DESCRIPTION | DATE | APPROVED |
| A | - | - | - |



POWER AIRETTE 24

PRODUCT APPROVED
as complying with the Florida
Building Code
NOA-No. **17-0112.10**
Approval Date **09/07/2017**
By *[Signature]*
Miami-Dade Product Control

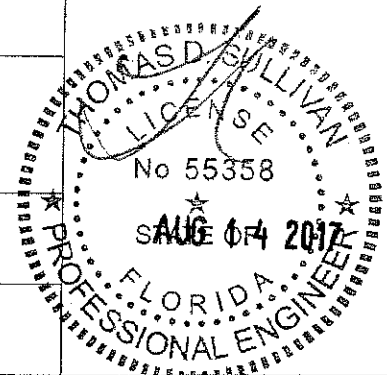
ENGINEERING BUSINESS CERTIFICATE OF AUTHORIZATION NO. 3090

JB&B
ENGINEERING
CONSULTANTS, LLC
5203 Silver Charm Terr.
Wesley Chapel, FL 33544
Office: 813-545-1323

DATE: _____

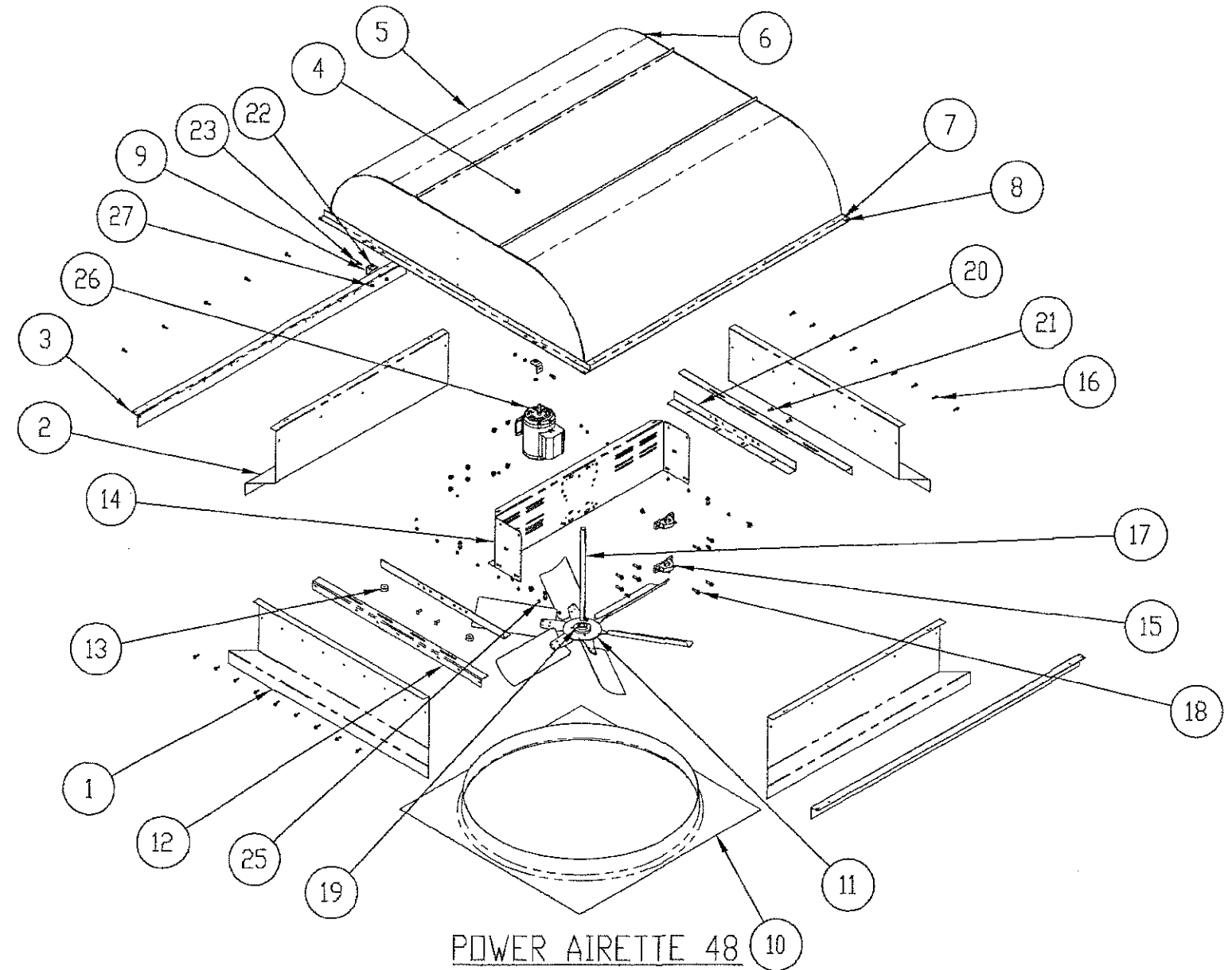
THOMAS D. SULLIVAN NO. 55358
FLORIDA PROFESSIONAL ENGINEER

| | | |
|---|--------------------|------------------|
| PennBarry 605 Shiloh RD Plano, TX 75074 | | |
| POWER AIRETTE EXHAUST AND SUPPLY HOODED PROPELLER ROOF VENTILATORS BILL OF MATERIAL | | |
| DRAWN AMIT | DWG NO. 24555-0 | REV |
| SCALE NTS | DATE 09/09/2016 | SHEET 3 OF 11 |



| ITEM NO. | PART NUMBER | DESCRIPTION | MANUFACTURER | MATERIAL |
|----------|-------------|--------------------------------|--------------|----------|
| 1 | 08007-0 | AE48 AIRSHAFT ITEM 1 | PENNBARRY | GALV. |
| 2 | 08017-0 | AE48 AIRSHAFT ITEM2 | PENNBARRY | GALV. |
| 3 | 08047-0 | AE48 HOOD SUPPORT ANGLE | PENNBARRY | GALV. |
| 4 | 08111-1 | AE48 HOOD TOP TYPE A | PENNBARRY | GALV. |
| 5 | 08110-0 | AE48 HOOD TOP END | PENNBARRY | GALV. |
| 6 | 08137-1 | AE48 HOOD SIDE | PENNBARRY | GALV. |
| 7 | 08154-3 | AE48 HOOD ANGLE ITEM A | PENNBARRY | GALV. |
| 8 | 08155-3 | AE48 HOOD ANGLE ITEM B | PENNBARRY | GALV. |
| 9 | 08074-0 | AE36-72 PIVOT LUG | PENNBARRY | GALV. |
| 10 | 08034-0 | AE48 VENTURI | PENNBARRY | GALV. |
| 11 | 50246-0 | AE48 PROP | -- | -- |
| 12 | 08293-0 | AE48 A-FRAME SUPPORT ANGLE | PENNBARRY | GALV. |
| 13 | 63010-0 | ISD VIB VI66 1.5DIA | PENNBARRY | GALV. |
| 14 | 18591-0 | AE48 MOTOR & BRG PLATE | PENNBARRY | GALV. |
| 15 | 57090-0 | BEARING 1.00 P2B | PENNBARRY | GALV. |
| 16 | 190010-K8 | WHIZ BOLT 1/4-20 X 1 | -- | -- |
| 17 | 03332-0 | SHAFT STL 1.00 X 23.00 | PENNBARRY | STEEL |
| 18 | 190010-D15 | WHIZ BOLT 3/8-16 X 1.5L | -- | -- |
| 19 | 55012-0 | BUSHING P1-1.00 | -- | -- |
| 20 | 18653-0 | AE48 MTR&BRG PLT SUPPORT ANGLE | PENNBARRY | GALV. |
| 21 | 190021-N10 | 3/8-16 X 1.0L CARRAGE BOLT | -- | -- |
| 22 | 190010-P8 | WHIZ BOLT 3/8-16 X .75L | -- | -- |
| 23 | 91309A624 | HEX HD BOLT 3/8-16 X 1.0L | -- | -- |
| 24 | 95462A515 | HEX NUT 3/8-16 | -- | -- |
| 25 | 190013-K | WHIZ NUT 1/4-20 | -- | -- |
| 26 | 35LYM497 | MOTOR | -- | -- |
| 27 | 190013-D | NUT WHIZ 3/8-16 FLANGE | -- | -- |

| REVISIONS | | | |
|-----------|-------------|------|----------|
| REV. | DESCRIPTION | DATE | APPROVED |
| A | - | - | - |



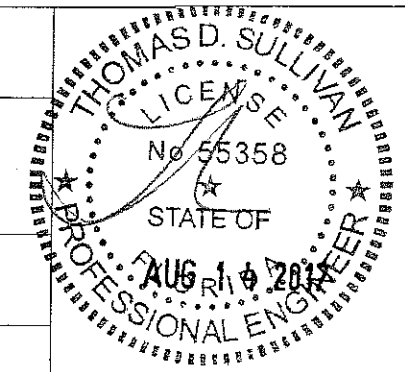
PRODUCT APPROVED
as complying with the Florida
Building Code
NOA-No. **17-0112.10**
Approval Date **09/07/2017**
By *[Signature]*
Miami-Made Product Control

ENGINEERING BUSINESS CERTIFICATE OF AUTHORIZATION NO. 80983
JB&B
ENGINEERING
CONSULTANTS, LLC
5203 Silver Charm Terr.
Wesley Chapel, FL 33544
Office: 813-545-1323
DATE:
THOMAS D. SULLIVAN NO. 55358
FLORIDA PROFESSIONAL ENGINEER

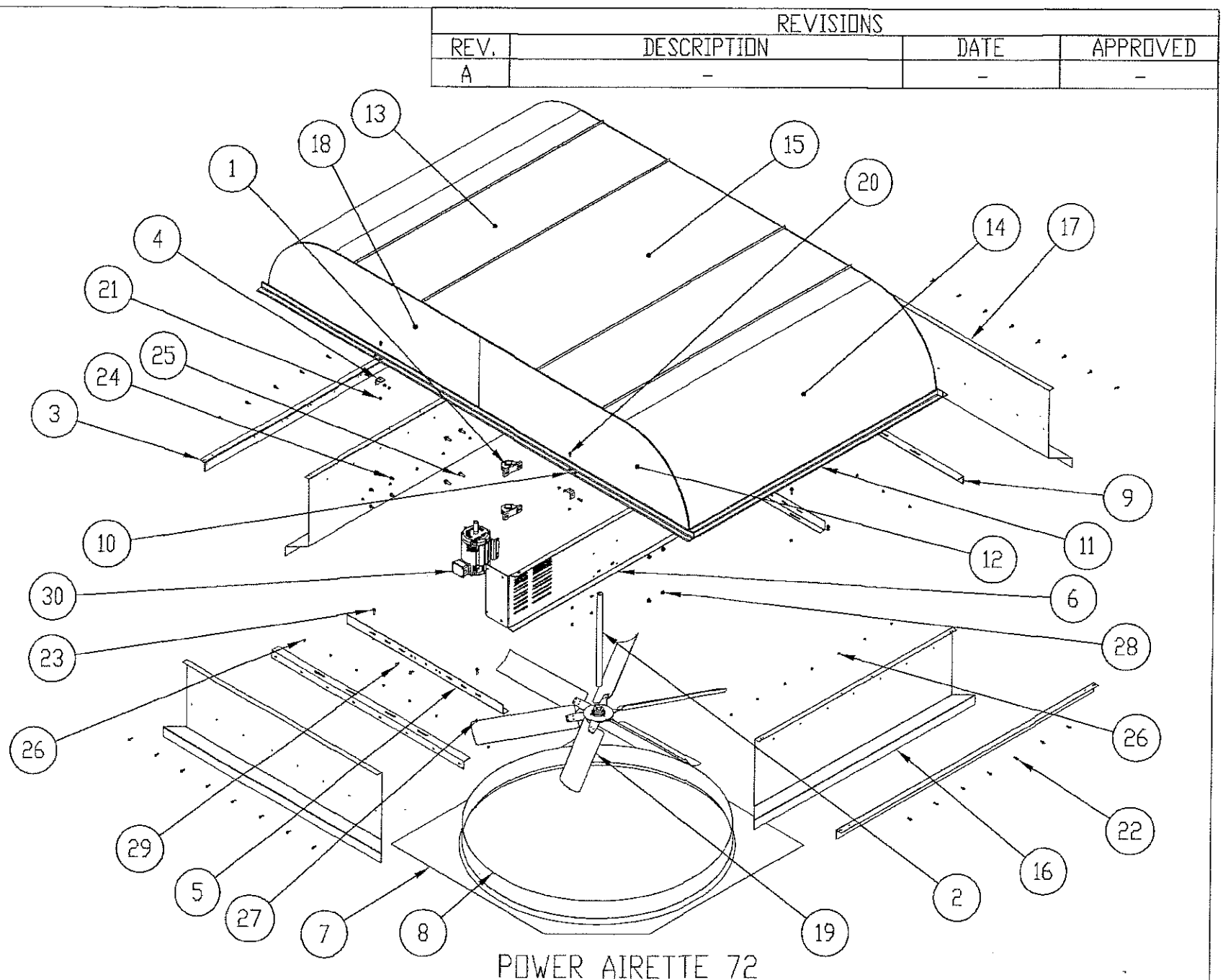
PennBarry 605 Shiloh RD Plano, TX 75074

POWER AIRETTE EXHAUST AND SUPPLY
HOODED PROPELLER ROOF VENTILATORS
COMPONENTS AND DETAILS

| | | |
|----------------|--------------------|------------------|
| DRAWN: AMIT | DWG NO. 24555-0 | REV |
| SCALE NTS | DATE 09/09/2016 | SHEET 4 OF 11 |



| ITEM NO. | PART NUMBER | DESCRIPTION | MANUFACTURER | MATERIAL |
|----------|-------------|----------------------------|--------------|----------|
| 1 | 2722T38 | BEARING | PENNBARRY | GALV. |
| 2 | 03375 | SHAFT 1-7/16 X 30 TYPE2 | PENNBARRY | STEEL |
| 3 | 08049 | AE 60 HOOD SUPP ANGLE | PENNBARRY | GALV. |
| 4 | 08074-0 | SUPPORT BRACKET | PENNBARRY | GALV. |
| 5 | 18663-0 | HS HZ AEP60 MTR&BRG PLT S | -- | -- |
| 6 | 18669-0-2 | AC72 MOTOR & BEARING PLAT | PENNBARRY | GALV. |
| 7 | 19166-0 | AE72 VENTURI PLATE | PENNBARRY | GALV. |
| 8 | 19167-0 | AE72 VENTURI COLLAR | PENNBARRY | GALV. |
| 9 | 19168-0 | AE72 A-Frame Angle | PENNBARRY | GALV. |
| 10 | 19171 | AE72 EXHAUST HOOD ANGLE | PENNBARRY | GALV. |
| 11 | 19172 | AE72 HOOD ANGLE SHORT | PENNBARRY | GALV. |
| 12 | 19173 | AE72 HOOD SIDES LEFT EXH | PENNBARRY | GALV. |
| 13 | 19174 | AE72 HOOD TOP TYPE A EXH | PENNBARRY | GALV. |
| 14 | 19175 | AE72 HOOD TOP END | PENNBARRY | GALV. |
| 15 | 19176 | AE72 HOOD TOP TYPE A | PENNBARRY | GALV. |
| 16 | 19489 | AC/AF72 AIRSHAFT ITEM 2 | PENNBARRY | GALV. |
| 17 | 19491 | AC/AF72 AIRSHAFT ITEM 1 | PENNBARRY | GALV. |
| 18 | 19500 | AE72 HOOD SIDE RIGHT EX | PENNBARRY | GALV. |
| 19 | 50466-0 | PROP AL 72 30B-6 BOS Q | -- | CAST AL. |
| 20 | 91309A624 | HEX HD BOLT 3/8-16 X 1.0L | -- | -- |
| 21 | 95462A515 | HEX NUT 3/8-16 | -- | -- |
| 22 | 190010-K8 | WHIZ BOLT 1/4-20 X 1 | -- | -- |
| 23 | 190010-D15 | WHIZ BOLT 3/8-16 X 1.5L | -- | -- |
| 24 | 190010-P8 | WHIZ BOLT 3/8-16 X .75L | -- | -- |
| 25 | 190010-S15 | WHIZ BOLT 1/2-20 X 1.0L | -- | -- |
| 26 | 190013-K | WHIZ NUT 1/4-20 | -- | -- |
| 27 | 190013-D | NUT WHIZ 3/8-16 FLANGE | -- | -- |
| 28 | 190013-S | WHIZ NUT 1/2-20 | -- | -- |
| 29 | 190021-N10 | 3/8-16 X 1.0L CARRAGE BOLT | -- | -- |
| 30 | MOTOR | 182T MOTOR | -- | -- |

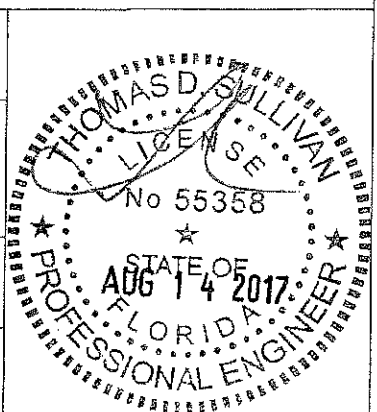


POWER AIRETTE 72

PRODUCT APPROVED
as complying with the Florida
Building Code
NOA-No. **17-0112.10**
Approval Date **09/07/2017**
By *[Signature]*
Miami-Dade Product Control

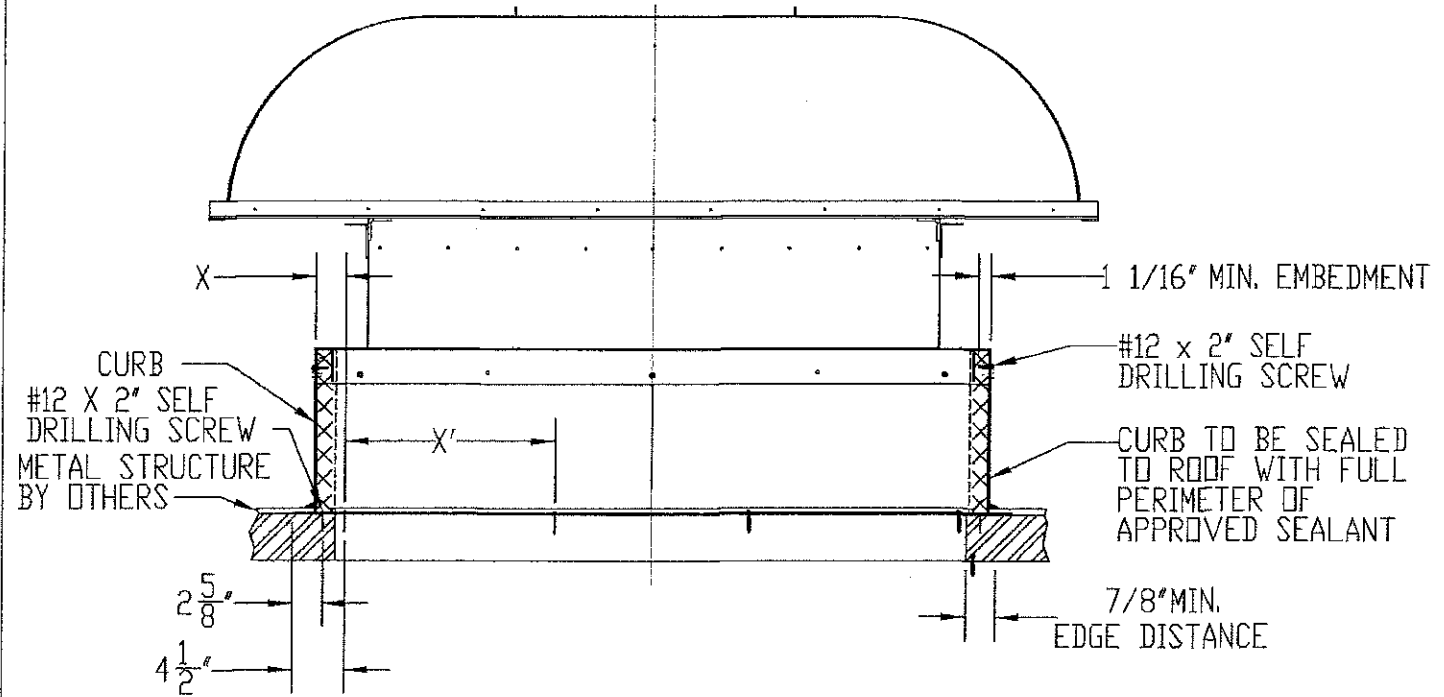
ENGINEERING BUSINESS CERTIFICATE OF AUTHORIZATION NO. 30901
JB&B
ENGINEERING
CONSULTANTS, LLC
5203 Silver Charm Terr.
Wesley Chapel, FL 33544
Office: 813-545-1323
DATE: _____
THOMAS D. SULLIVAN NO. 55358
FLORIDA PROFESSIONAL ENGINEER

| | | | |
|---|------|---------|------------|
| PennBarry 605 Shiloh RD Plano, TX 75074 | | | |
| POWER AIRETTE EXHAUST AND SUPPLY HOODED PROPELLER ROOF VENTILATORS COMPONENTS AND DETAILS | | | |
| DRAWN | AMIT | DWG NO. | 24555-0 |
| SCALE | NTS | DATE | 09/09/2016 |
| | | REV | |
| | | SHEET | 5 OF 11 |



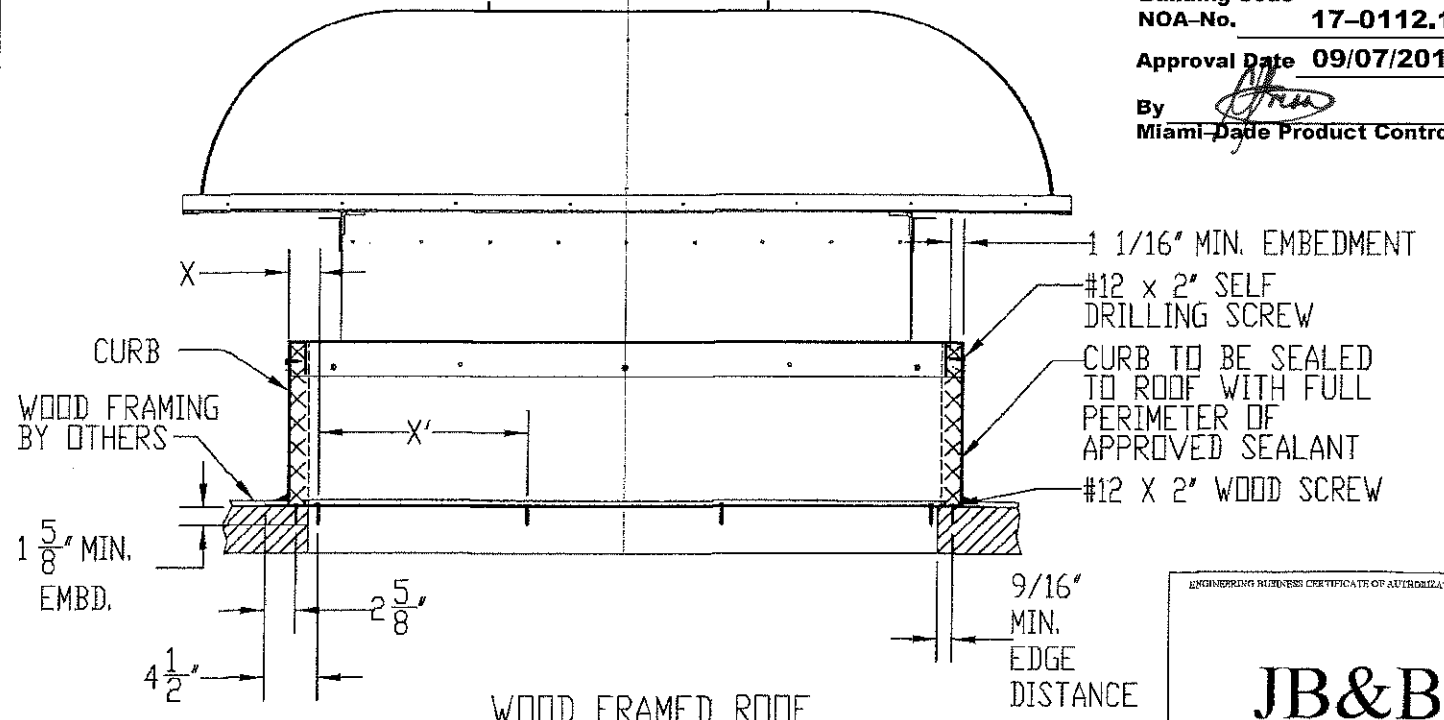
| REVISIONS | | | |
|-----------|-------------|------|----------|
| REV. | DESCRIPTION | DATE | APPROVED |
| A | - | - | - |

| Roof Curb to Roof Deck Anchors | | | | | |
|--------------------------------|------------------------|-------|--|---|---|
| | # 12-2" (UNIT TO CURB) | X MAX | Metal Roof | Wood Roof | Concrete Roof |
| | | | # of 12x2" S.D.S(# of fasteners- PER SIDE) | # of 12x2" Wood Screws (# of fasteners- PER SIDE) | 1/4"x2" Tapcons(# of fasteners- PER SIDE) |
| AC24 | 16 | 2 | 20 (5 per SIDE) | 20 (5 per SIDE) | 20 (5 per SIDE) |
| AC30 | 16 | 3 | 24 (6 per SIDE) | 24 (6 per SIDE) | 24 (6 per SIDE) |
| AC36 | 16 | 3 | 28 (7 per SIDE) | 28 (7 per SIDE) | 28 (7 per SIDE) |
| AC42 | 16 | 3 | 28 (7 per SIDE) | 28 (7 per SIDE) | 28 (7 per SIDE) |
| AC48 | 16 | 3 | 32 (8 per SIDE) | 32 (8 per SIDE) | 32 (8 per SIDE) |
| AC54 | 20 | 3 | 36 (9 per SIDE) | 36 (9 per SIDE) | 36 (9 per SIDE) |
| AC60 | 20 | 3 | 36 (9 per SIDE) | 36 (9 per SIDE) | 36 (9 per SIDE) |
| AC72 | 32 | 3 | 44 (11 per SIDE) | 44 (11 per SIDE) | 44 (11 per SIDE) |

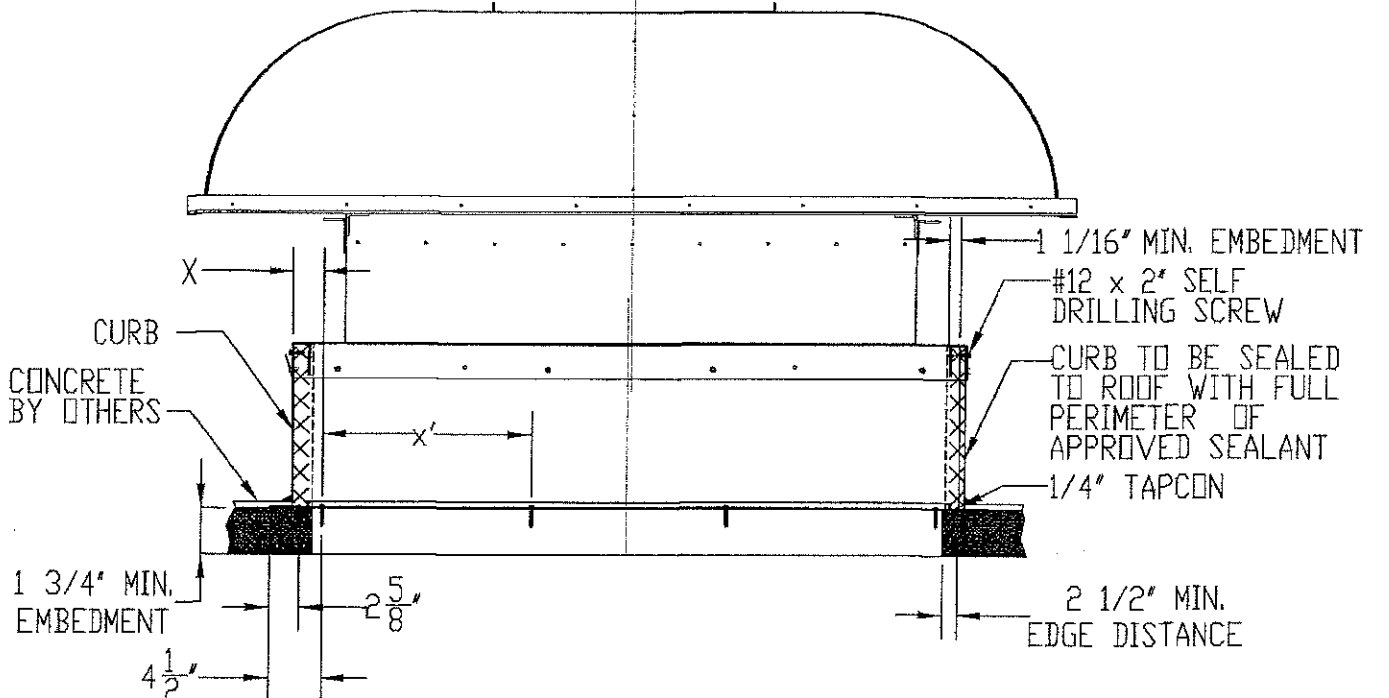


METAL FRAMED ROOF

PRODUCT APPROVED
 as complying with the Florida
 Building Code
 NOA-No. **17-0112.10**
 Approval Date **09/07/2017**
 By *[Signature]*
 Miami-Dade Product Control



WOOD FRAMED ROOF



CONCRETE SLAB ROOF

- NOTES:
1. ALL FOUR SIDES OF CURB AND BASE ARE ANCHORED IDENTICALLY.
 2. ROOF CURB IS INSTALLED TO ROOF FIRST. ONCE CURB IS INSTALLED FAN IS ATTACHED TO CURB USING #12x2" SELF DRILLING SCREWS AS SHOWN ABOVE.
 3. SEE SHEET 8 OF 11, COMPONENTS FOR ROOF CURB CONSTRUCTION.
 4. UNITS MAYBE INSTALLED WITH, ALUMINUM 3003-H14 CURB OR GALVANIZED STEEL CURB.

ENGINEERING BUSINESS CERTIFICATE OF AUTHORIZATION NO. 30963

JB&B
 ENGINEERING
 CONSULTANTS, LLC
 5203 Silver Charm Terr.
 Wesley Chapel, FL 33544
 Office: 813-545-1323

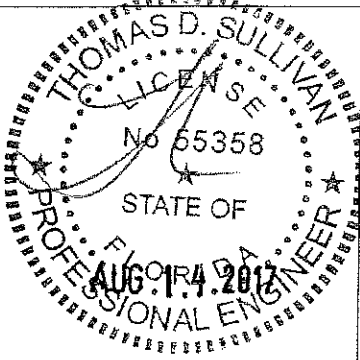
DATE: _____

THOMAS D. SULLIVAN NO. 55358
 FLORIDA PROFESSIONAL ENGINEER

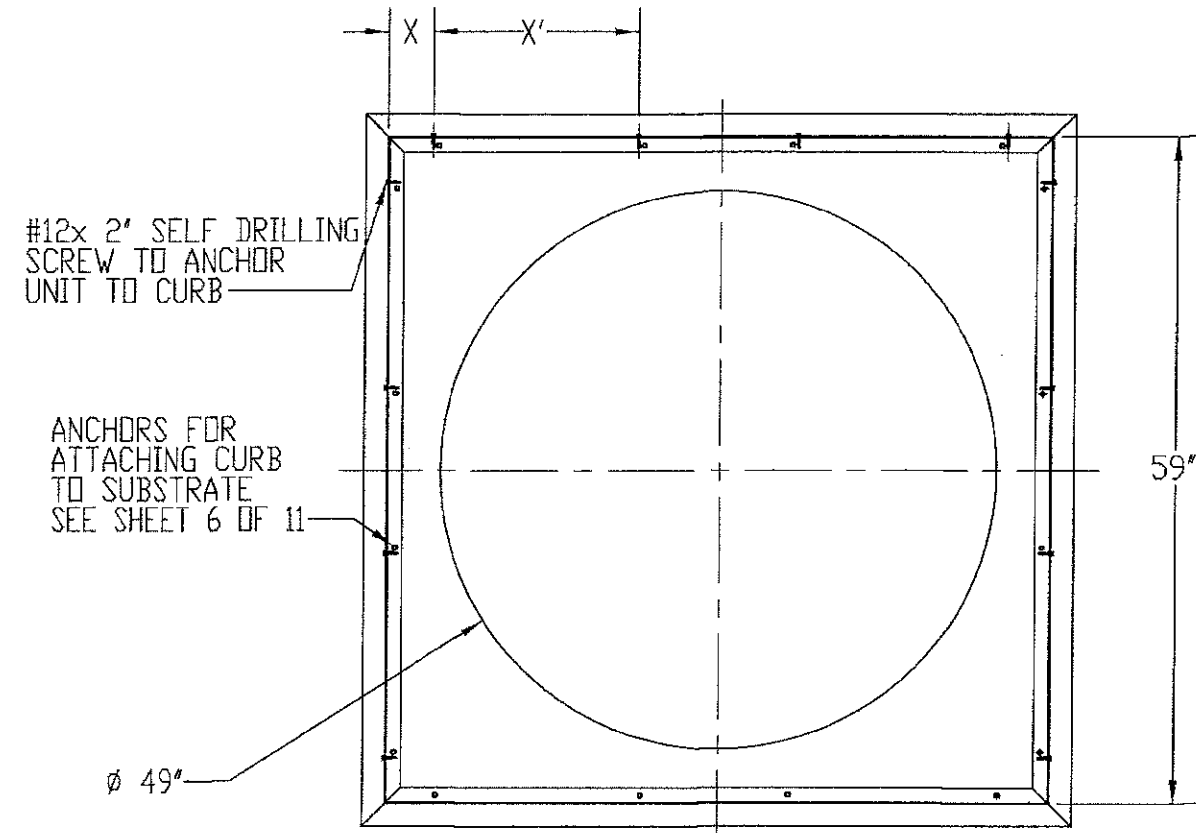
PennBarry 605 Shiloh RD Plano, TX 75074

POWER AIRETTE EXHAUST AND SUPPLY
 HOODED PROPELLER ROOF VENTILATORS
 INSTALLATION DETAILS

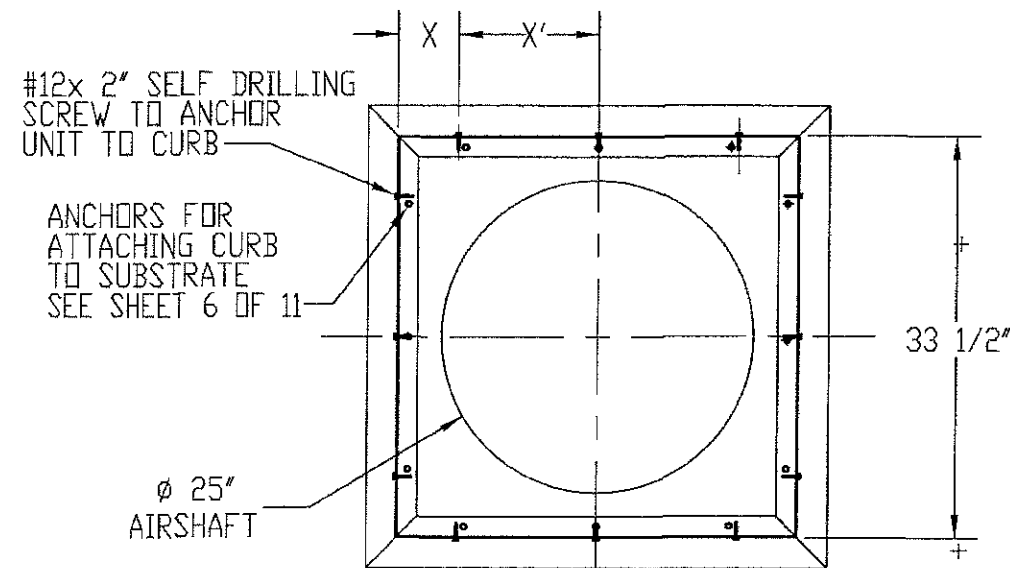
| | | | | | |
|-------|------|---------|------------|-------|---------|
| DRAWN | AMIT | DWG NO. | 24555-0 | REV | |
| SCALE | NTS | DATE | 09/09/2016 | SHEET | 6 OF 11 |



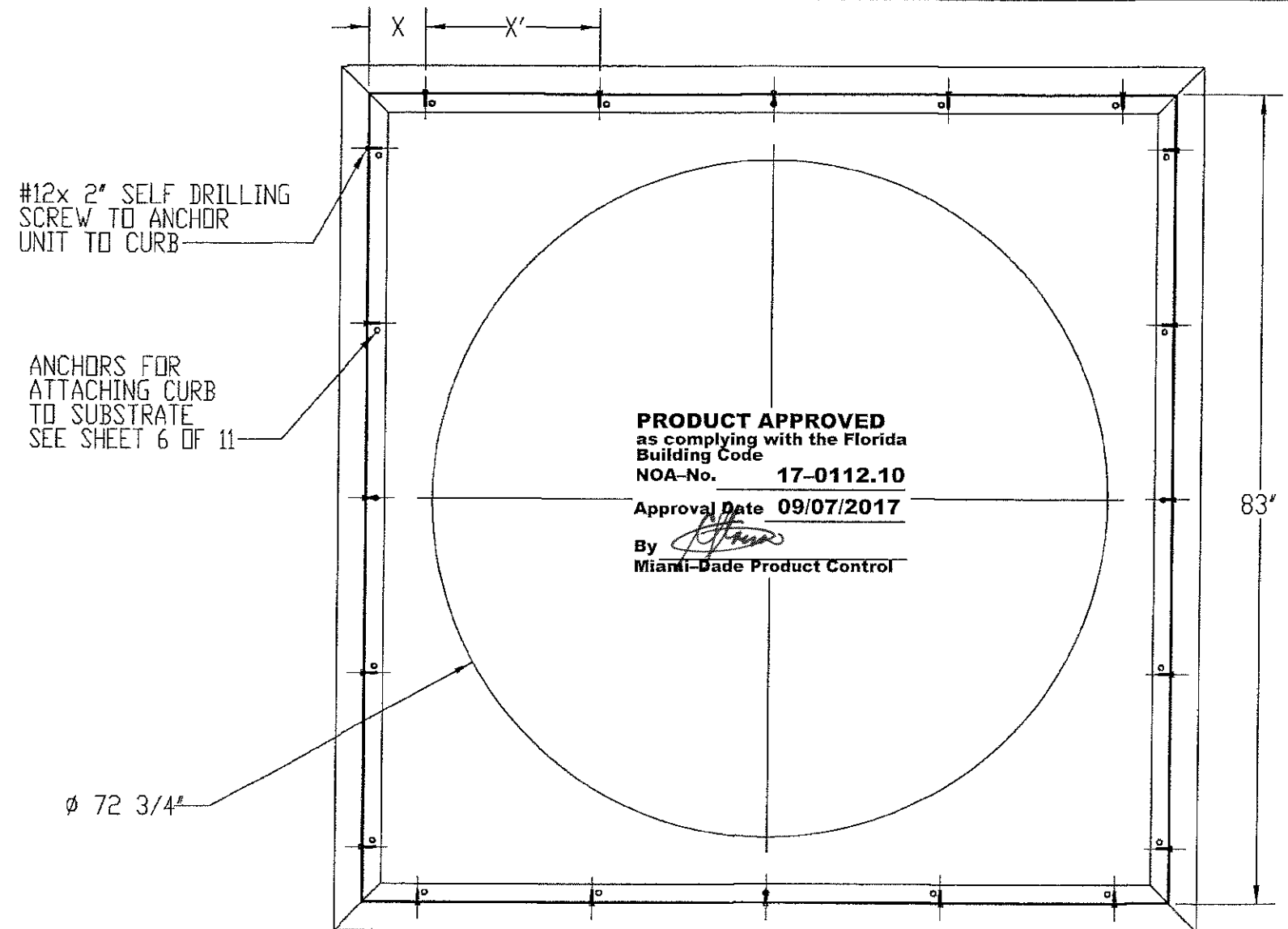
| REVISIONS | | | |
|-----------|-------------|------|----------|
| REV. | DESCRIPTION | DATE | APPROVED |
| A | - | - | - |



AC48 PLAN VIEW INSTALLATION DETAILS
HOOD & INTERIOR COMPONENTS ARE NOT SHOWN FOR CLARITY
(SEE PAGE 6 FOR FASTENER LOCATIONS)



AC24 PLAN VIEW INSTALLATION DETAILS
HOOD & INTERIOR COMPONENTS ARE NOT SHOWN FOR CLARITY
(SEE PAGE 6 FOR FASTENER LOCATIONS)



AC72 PLAN VIEW INSTALLATION DETAILS
HOOD & INTERIOR COMPONENTS ARE NOT SHOWN FOR CLARITY
(SEE PAGE 6 FOR FASTENER LOCATIONS)

PRODUCT APPROVED
as complying with the Florida
Building Code
NOA-No. **17-0112.10**
Approval Date **09/07/2017**
By *[Signature]*
Miami-Dade Product Control

ENGINEERING BUSINESS CERTIFICATE OF AUTHORIZATION NO. 3990

JB&B
ENGINEERING
CONSULTANTS, LLC
5203 Silver Charm Terr.
Wesley Chapel, FL 33544
Office: 813-545-1323

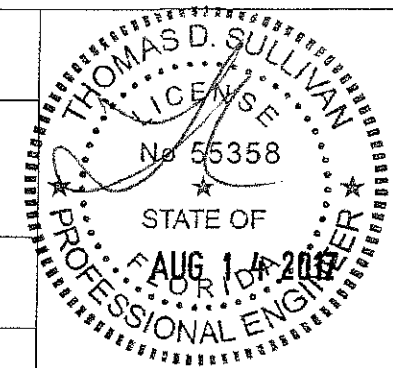
DATE: _____

THOMAS D. SULLIVAN NO. 55358
FLORIDA PROFESSIONAL ENGINEER

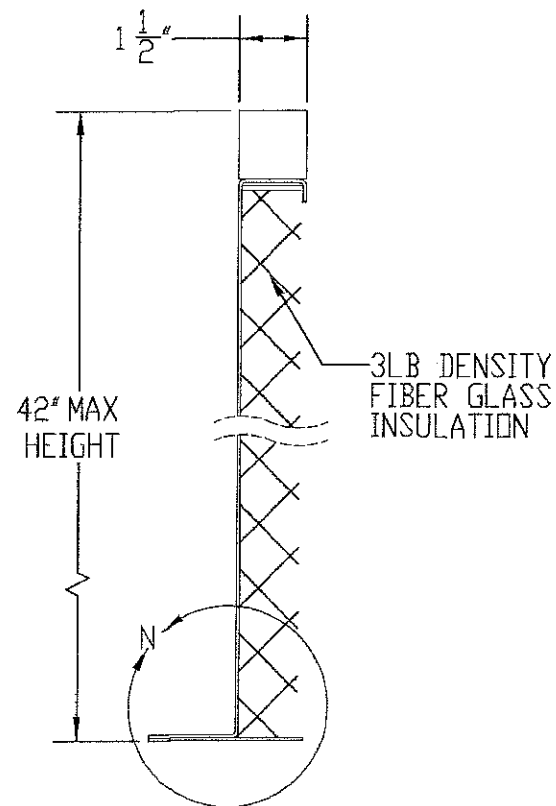
PennBarry 605 Shiloh RD Plano, TX 75074

POWER AIRETTE EXHAUST AND SUPPLY
HOODED PROPELLER ROOF VENTILATORS
COMPONENTS DETAILS

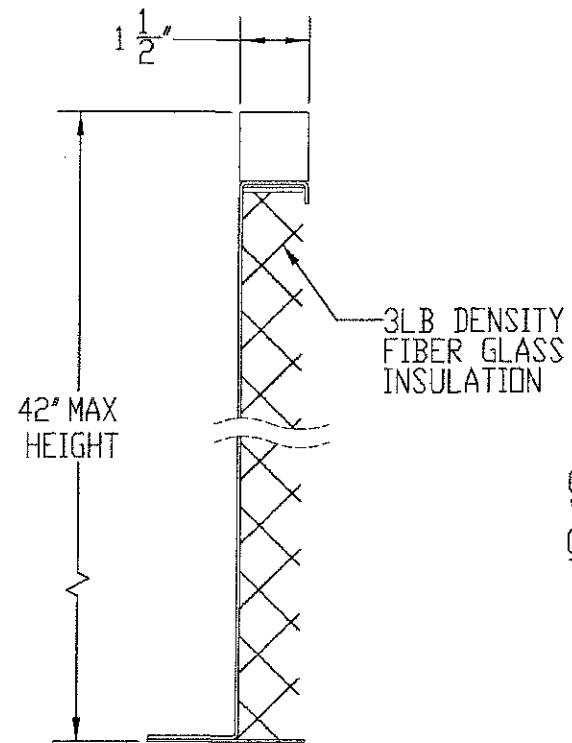
| | | | | | |
|-------|------|----------|------------|-------|---------|
| DRAWN | AMIT | DWG. NO. | 24555-0 | REV | |
| SCALE | NTS | DATE | 09/09/2016 | SHEET | 7 OF 11 |



| REVISIONS | | | |
|-----------|-------------|------|----------|
| REV. | DESCRIPTION | DATE | APPROVED |
| A | - | - | - |



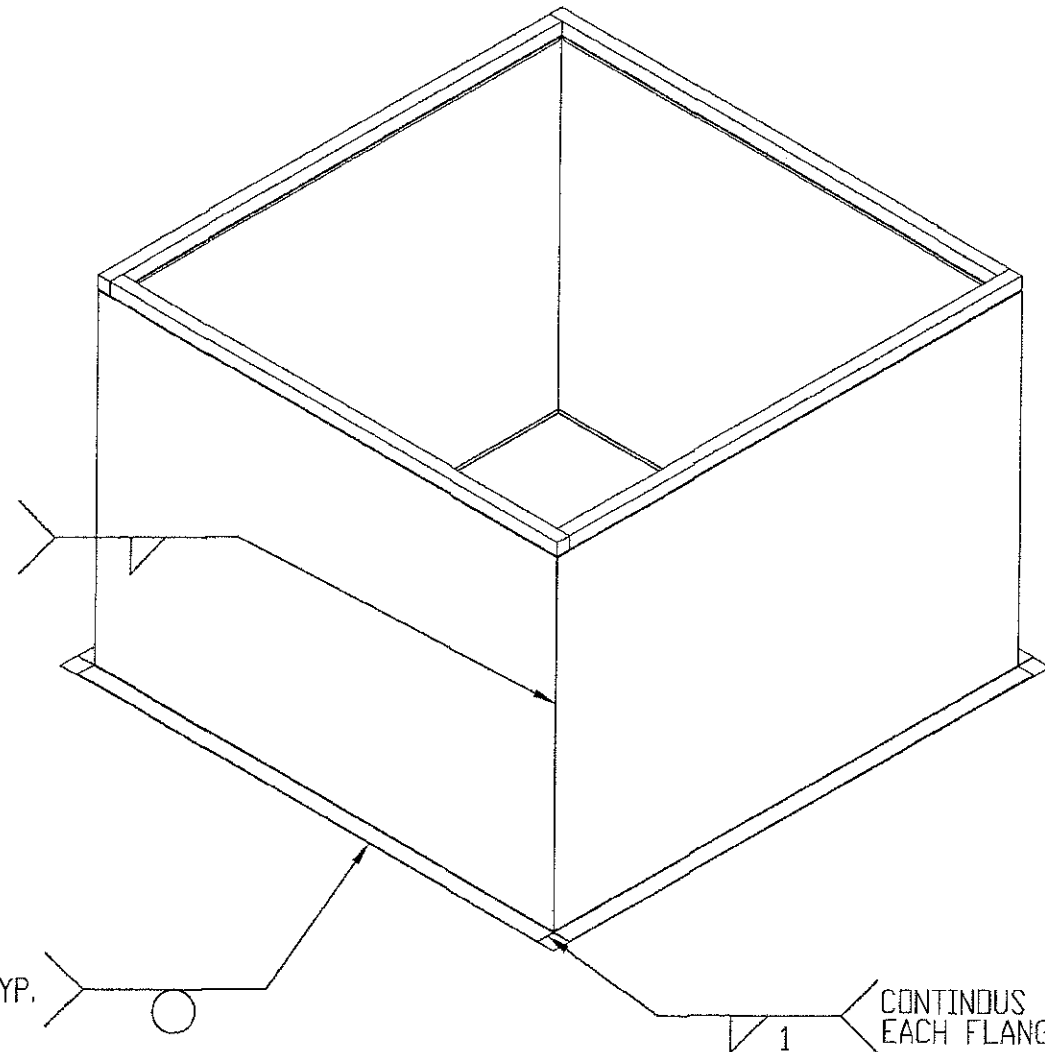
ROOF CURB
18GA G-90 GALV. STEEL
MI VALUE : X= 20.5405
Y=0.3060



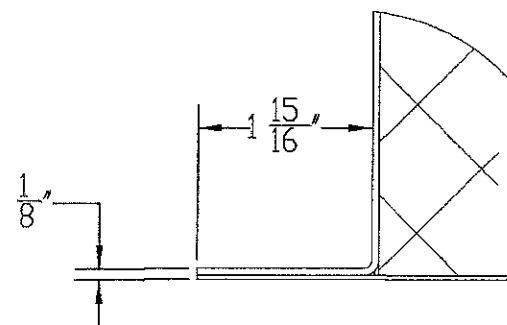
OPTIONAL ROOF CURB
ALUMINIUM 3003-H14 10GA, 0.125" THK.
MI VALUE : X= 51.1390
Y= 0.7384

CONTINUOUS WELDED CORNERS TYP.

BASE PLATE TO CURB FLANGE TYP. 6" SPACING



CONTINUOUS WELD FROM CORNER EACH FLANGE 1" TYP



DETAIL N
SCALE 1 : 2

PRODUCT APPROVED
as complying with the Florida Building Code
NOA-No. **17-0112.10**
Approval Date **09/07/2017**
By *[Signature]*
Miami-Dade Product Control

ENGINEERING BUSINESS CERTIFICATE OF AUTHORIZATION NO. 9990

JB&B
ENGINEERING

CONSULTANTS, LLC

5203 Silver Charm Terr.
Wesley Chapel, FL 33544
Office: 813-545-1323

DATE:

THOMAS D. SULLIVAN NO. 55358
FLORIDA PROFESSIONAL ENGINEER

PennBarry 605 Shiloh RD Plano, TX 75074

POWER AIRLETTE EXHAUST AND SUPPLY
HOODED PROPELLER ROOF VENTILATORS
INSTALLATION DETAILS

DRAWN:

AMIT

DWG NO.

24555-0

REV

SCALE

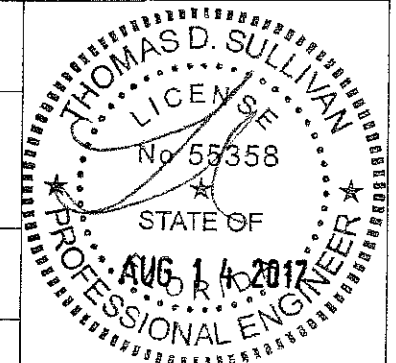
NTS

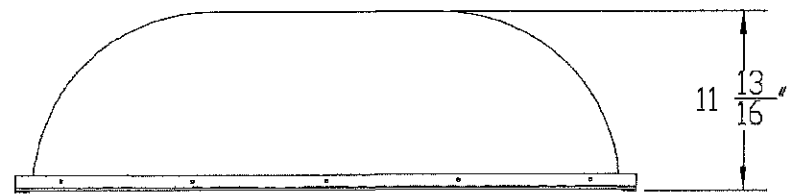
DATE

09/09/2016

SHEET

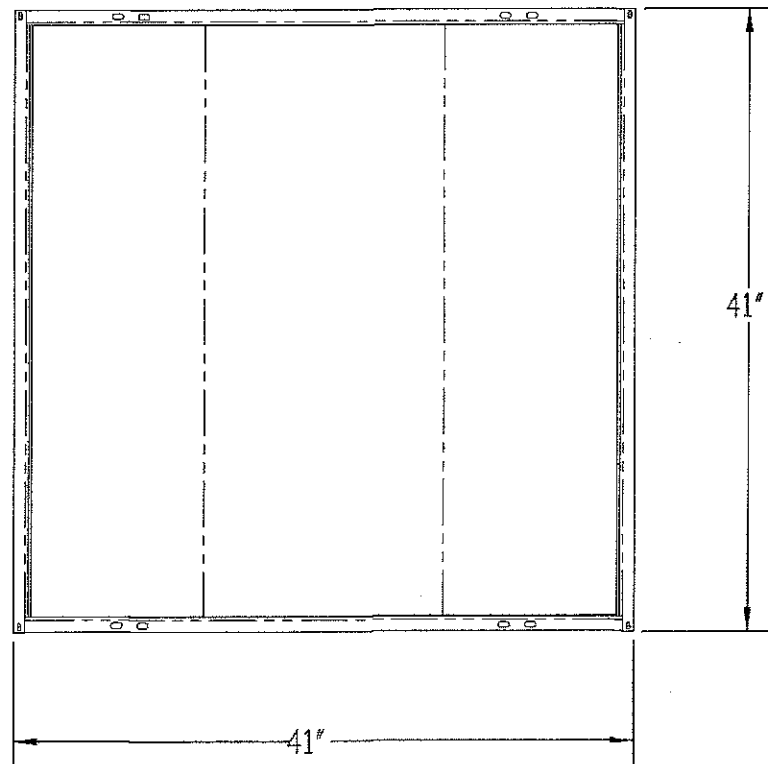
8 OF 11



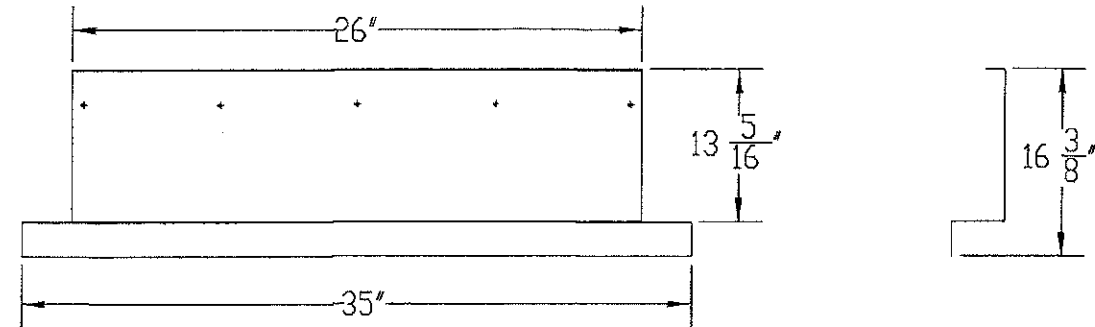


POWER AIRETTE 24

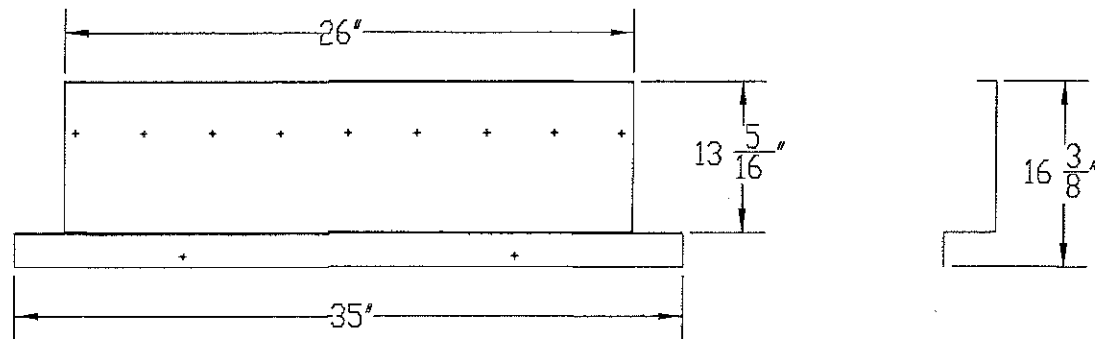
| REVISIONS | | | |
|-----------|-------------|------|----------|
| REV. | DESCRIPTION | DATE | APPROVED |
| A | - | - | - |



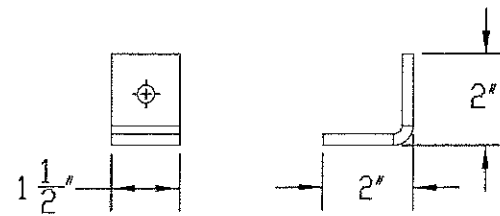
PRODUCT APPROVED
 as complying with the Florida
 Building Code
 NOA-No. **17-0112.10**
 Approval Date **09/07/2017**
 By *[Signature]*
 Miami-Dade Product Control



AIR SHAFT 2
 16GA(0.06"), GALV. STEEL

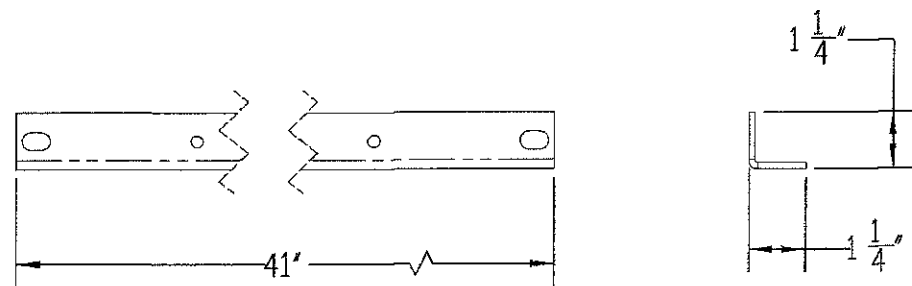


AIRSHAFT 1
 16GA(0.06"), GALV. STEEL



PIVOT LUG
 1/4" THK.

ACCESS HOOD ASSY.
 10GA(0.13"), GALV. STEEL



HOOD SUPPORT ANGLE
 11GA(0.125"), GALV. STEEL

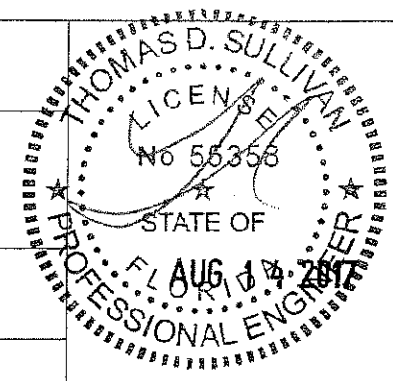
ENGINEERING BUSINESS CERTIFICATE OF AUTHORIZATION NO. 36964

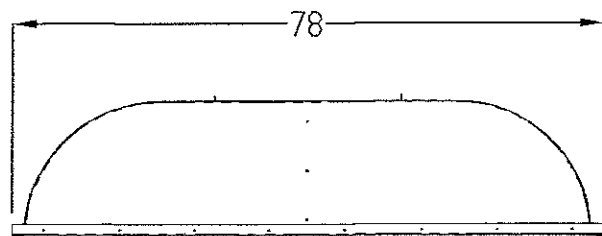
JB&B
 ENGINEERING
 CONSULTANTS, LLC
 5203 Silver Charm Terr.
 Wesley Chapel, FL 33544
 Office: 813-545-1323

DATE: _____

THOMAS D. SULLIVAN NO. 55358
 FLORIDA PROFESSIONAL ENGINEER

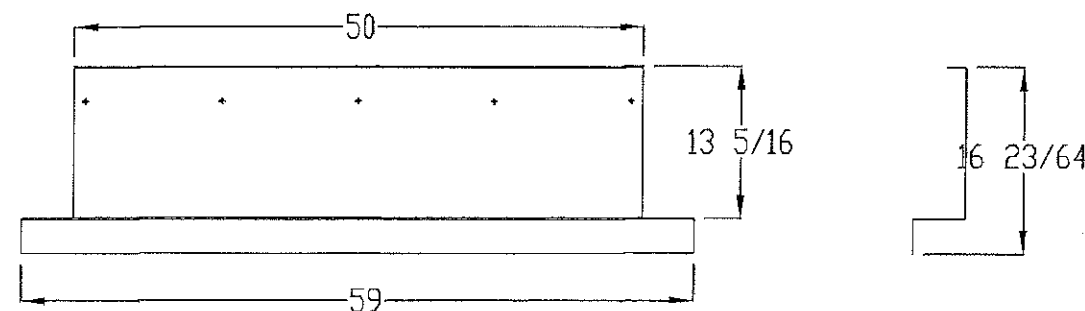
| | | |
|---|--------------------|------------------|
| PennBarry 605 Shiloh RD Plano, TX 75074 | | |
| POWER AIRETTE EXHAUST AND SUPPLY HOODED PROPELLER ROOF VENTILATORS COMPONENTS DETAILS | | |
| DRAWN: AMIT | DWG NO. 24555-0 | REV. |
| SCALE NTS | DATE 09/09/2016 | SHEET 9 OF 11 |



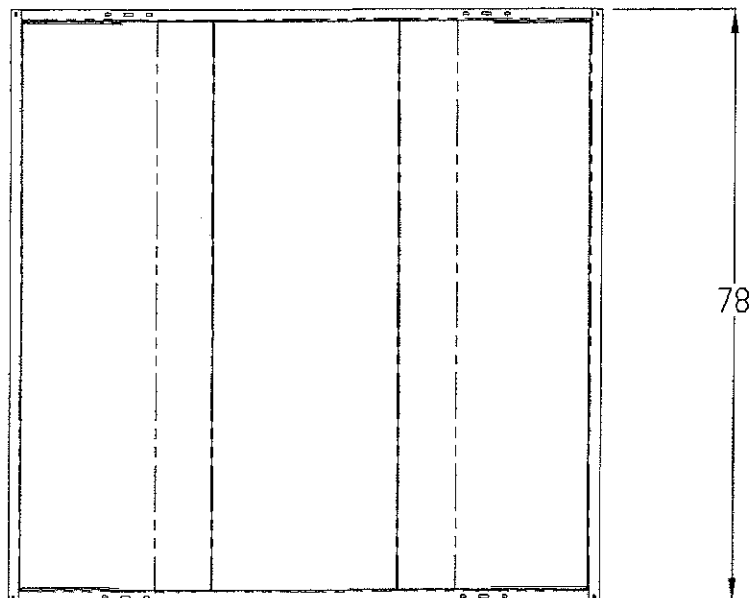


POWER AIRETTE 48

| REVISIONS | | | |
|-----------|-------------|------|----------|
| REV. | DESCRIPTION | DATE | APPROVED |
| A | - | - | - |



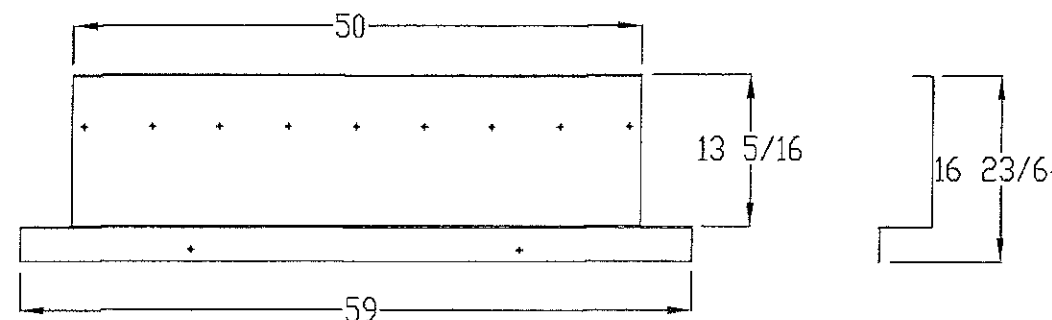
AIRSHAFT ITEM2
16GA(0.06"), GALV. STEEL



ACCESS HOOD ASSY.
10GA(0.13"), GALV. STEEL

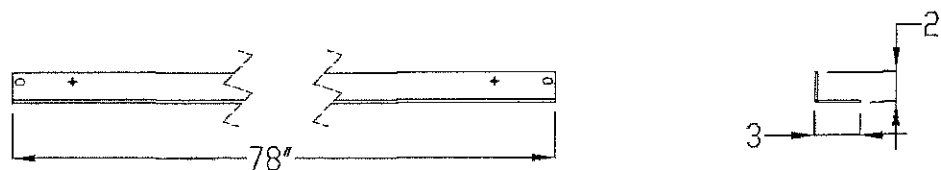


PIVOT LUG
1/4" THK.



AIRSHAFT ITEM1
16GA(0.06"), GALV. STEEL

PRODUCT APPROVED
as complying with the Florida
Building Code
NOA-No. **17-0112.10**
Approval Date **09/07/2017**
By *[Signature]*
Miami-Dade Product Control



HOOD SUPPORT ANGLE
11GA(0.125"), GALV. STEEL

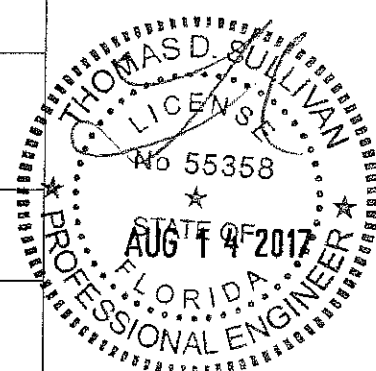
ENGINEERING BUSINESS CERTIFICATE OF AUTHORIZATION NO. 36005

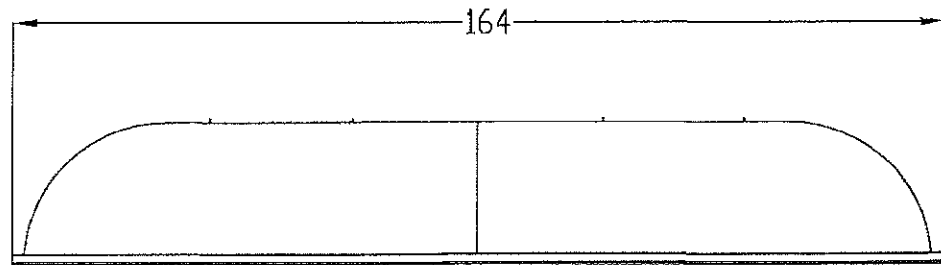
JB&B
ENGINEERING
CONSULTANTS, LLC
5203 Silver Charm Terr.
Wesley Chapel, FL 33544
Office: 813-545-1323

DATE: _____

THOMAS D. SULLIVAN NO. 55358
FLORIDA PROFESSIONAL ENGINEER

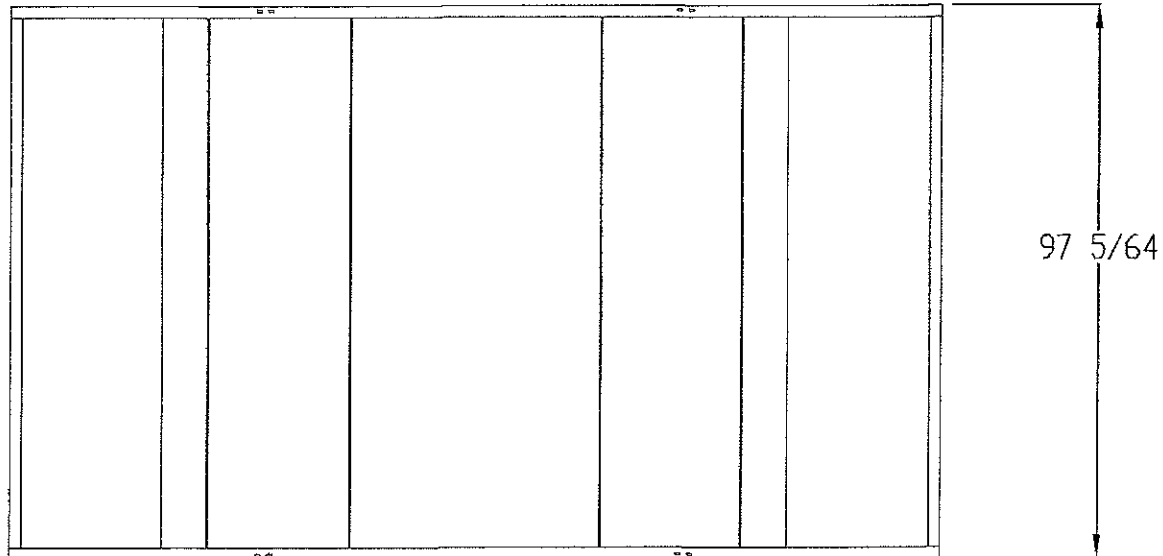
| | | |
|---|--------------------|-------------------|
| PennBarry 605 Shiloh RD Plano, TX 75074 | | |
| POWER AIRETTE EXHAUST AND SUPPLY HOODED PROPELLER ROOF VENTILATORS COMPONENTS DETAILS | | |
| DRAWN: AMIT | DWG NO. 24555-0 | REV |
| SCALE NTS | DATE 09/09/2016 | SHEET 10 OF 11 |





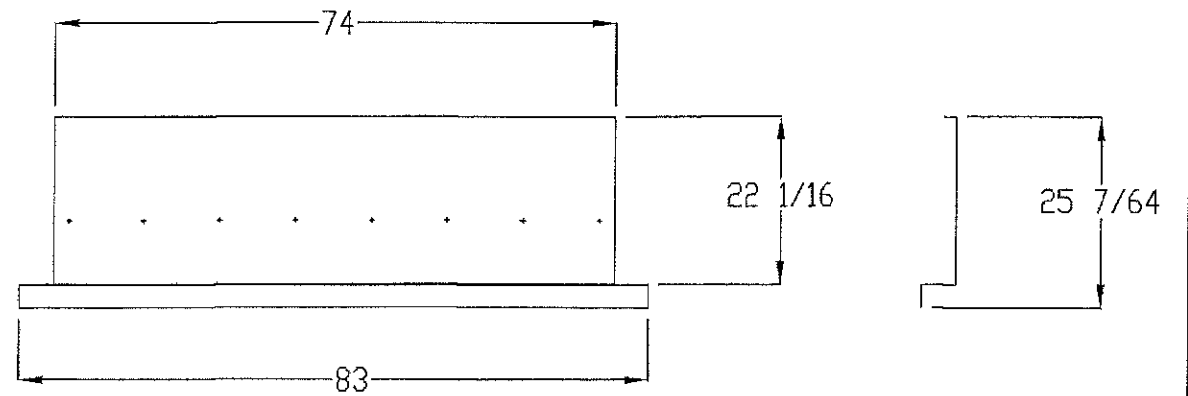
POWER AIRETTE 72

| REVISIONS | | | |
|-----------|-------------|------|----------|
| REV. | DESCRIPTION | DATE | APPROVED |
| A | - | - | - |

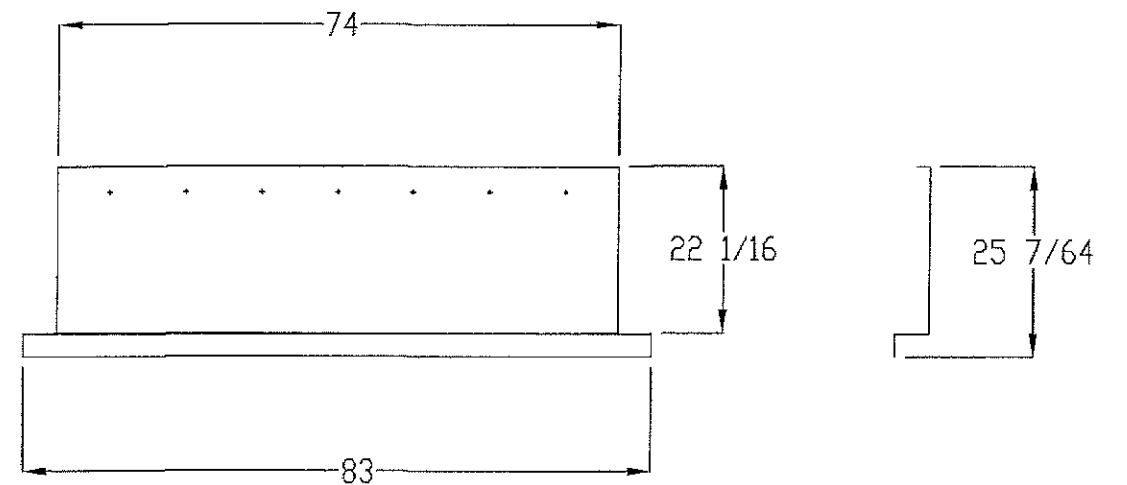


ACCESS HOOD ASSY.
10GA(0.13"), GALV. STEEL

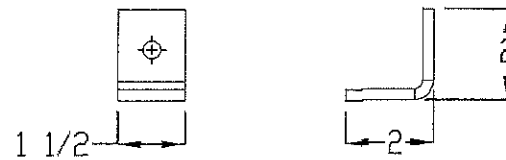
PRODUCT APPROVED
as complying with the Florida
Building Code
NOA-No. **17-0112.10**
Approval Date **09/07/2017**
By *[Signature]*
Miami-Dade Product Control



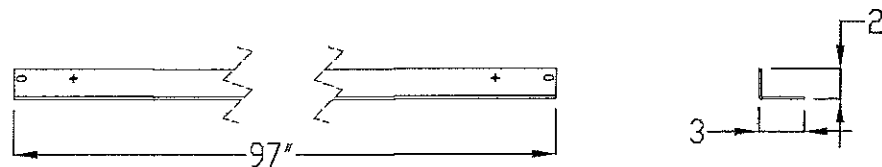
AIR SHAFT ITEM 2
16GA(0.06"), GALV. STEEL



AIR SHAFT ITEM 1
16GA(0.06"), GALV. STEEL



SUPPORT BRACKET
1/4" THK.



HOOD SUPPORT ANGLE
11GA(0.125"), GALV. STEEL

ENGINEERING BUSINESS CERTIFICATE OF AUTHORIZATION NO. 30993

JB&B
ENGINEERING
CONSULTANTS, LLC
5203 Silver Charm Terr.
Wesley Chapel, FL 33544
Office: 813-545-1323

DATE: _____

THOMAS D. SULLIVAN NO. 55358
FLORIDA PROFESSIONAL ENGINEER

| | | |
|---|--------------------|-------------------|
| PennBarry 605 Shiloh RD Plano, TX 75074 | | |
| POWER AIRETTE EXHAUST AND SUPPLY HOODED PROPELLER ROOF VENTILATORS COMPONENTS DETAILS | | |
| DRAWN AMIT | DWG NO. 24555-0 | REV |
| SCALE NTS | DATE 09/09/2016 | SHEET 11 OF 11 |

