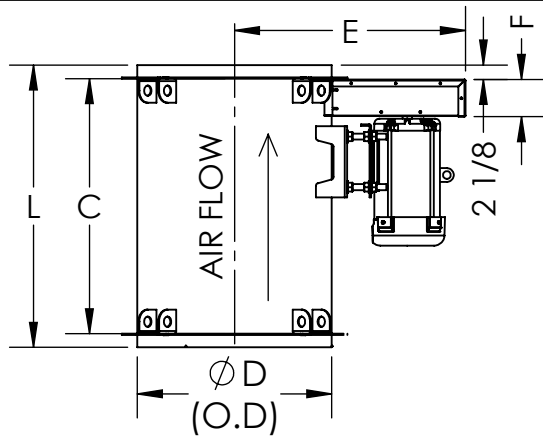
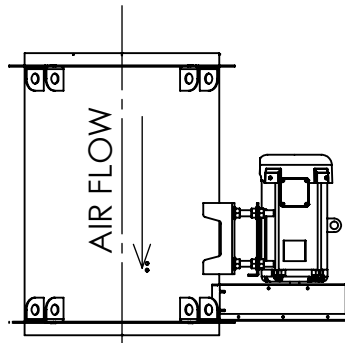


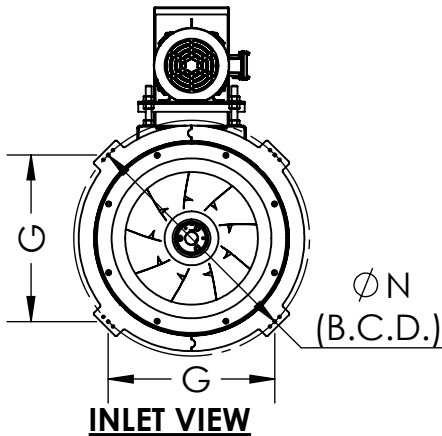
**MXI-ARRANGEMENT-9, LEVEL 1,  
 VERTICAL DISCHARGE**



**VERTICAL UPBLAST**



**VERTICAL DOWNBLAST**



**INLET VIEW**

**Standard Construction:**

1. High Efficiency Welded Mixed Flow Wheel
2. Welded Guide Vanes
3. Bearing Tunnel
4. Bearing- L10 Life of 80K Hours
5. Adjustable or Constant Drive Kit
6. Adjustable Motor Base
7. Belt Guard
8. 1045 TG&P Shaft
9. Extended Lube Lines

**Accessories:**

1. Bearing- L10 Life of 200K Hours
2. AMCA B Spark Resistant Construction
3. AMCA C Spark Resistant Construction
4. Mounting Rails
5. Vibration Isolators
6. Belt Tunnel
7. Motor/Weather Cover
8. Piezo Ring
9. Disconnect Switch
10. Access Door- Hinged or Bolted
11. Copper Lube Lines
12. Shaft Seal
13. Inlet and/or Outlet Flange
14. Inlet and/or Outlet Guard
15. Companion Flange
16. Drain
17. Flexible Duct Connector

**DIMENSIONAL DATA**

Size	C	D	E	F	G	L	N	MAX MTR FRAME SIZE	LESS MOTOR/ DRIVE WEIGHT(LBS.)
122	21 1/2	17 7/8	25 1/2	3 7/16	16 13/16	25 1/8	23 3/4	184T	186
135	24 3/16	19 3/4	26 3/4	3 3/4	18 1/8	27 13/16	25 5/8	184T	218
150	27 1/4	21 7/8	28 3/16	4	19 11/16	30 7/8	27 13/16	184T	249
165	30 3/8	23 3/8	29 13/16	4 1/2	20 3/4	33 15/16	29 3/8	184T	280
182	33 7/8	25 13/16	31 13/16	4 15/16	22 1/2	37 7/16	31 13/16	215T	362
200	37 9/16	28 3/8	33 11/16	5 7/16	24 5/16	41 3/16	34 3/8	215T	449
222	42 1/16	31 7/16	35 5/8	6	27 1/8	45 11/16	38 3/8	215T	587
245	46 13/16	34 11/16	38 7/8	6 9/16	29 7/16	50 7/16	41 5/8	256T	714
270	51 15/16	38 3/16	41 3/8	7 1/4	31 15/16	55 9/16	45 3/16	256T	856
300	58 1/8	42 7/16	43 13/16	8	35 5/8	61 3/4	50 3/8	286T	1027
330	64 3/8	46 5/8	46 5/8	8 11/16	38 5/8	68	54 5/8	286T	1185
365	71 1/2	51 9/16	52 3/16	9 11/16	42 1/8	75 1/8	59 9/16	286T	1227
402	79 1/8	56 3/4	55 13/16	10 9/16	45 13/16	82 3/4	64 13/16	326T	1535
445	88	62 13/16	59 9/16	11 3/4	50 13/16	91 5/8	71 7/8	326T	1980
490	97 1/4	69 1/8	62 3/4	12 7/8	56 1/4	100 7/8	79 1/2	326T	2511
542	107 15/16	76 7/16	67 3/8	14 1/4	62 1/8	111 9/16	87 7/8	365T	3022
600	119 7/8	84 9/16	71 7/16	15 3/4	67 3/8	123 1/2	95 1/16	365T	4382

ALL DIMENSIONS ARE IN INCHES