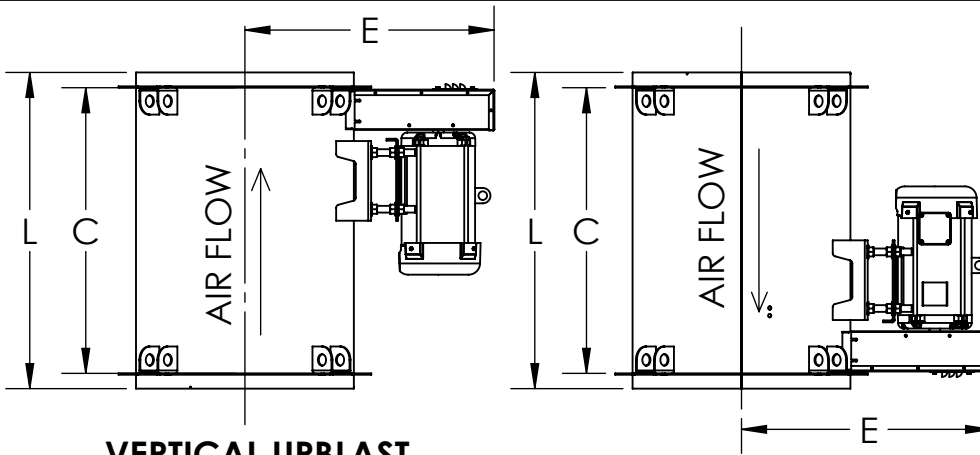
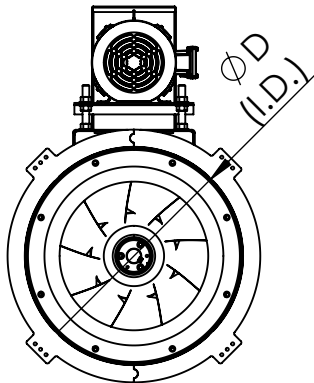


**CYCLONE-ARRANGEMENT-9
 VERTICAL DISCHARGE**



VERTICAL UPBLAST

VERTICAL DOWNBLAST



INLET VIEW

Standard Construction:

1. Bearing Tunnel
2. Arrangement 9 for Horizontal & Vertical Outlet
3. Bolted Mounting Feet
4. Aluminum Wheel
5. Extended Lube Lines
6. Bearings - L10 Life of 100K Hours
7. Adjustable Motor Base
8. Adjustable or Constant Drive Kit
9. 1045 TG&P Shaft
10. Guide Vanes
11. Bearing Tunnel Covers

Accessories:

1. Motor Cover
2. Belt Tunnel
3. Access Door- Bolted
4. Access Door- Hinged
5. Belt Guard- Sealed
6. Belt Guard- Ventilated
7. Weather Cover
8. Disconnect Switch
9. Shaft Seal
10. Vibration Isolators
11. AMCA B Spark Resistant Construction
12. Companion Flange (s)
13. Mounting Rails for Vertical and 3/9 o' Clock Motor Position
14. Copper Lube Lines
15. Stainless Steel Shaft

DIMENSIONAL DATA

Size	C	D	E	L	MAX MTR FRAME SIZE	LESS MOTOR/DRIVE WEIGHT (LBS.)
122	21.14	17.63	24.39	25.10	145T	186.18
135	21.81	19.51	25.33	27.80	184T	217.55
150	26.90	21.68	26.41	30.90	184T	249.09
165	30.00	23.18	27.16	34.00	184T	280.23
182	33.49	25.56	30.75	37.50	215T	362.32
200	37.19	28.09	32.48	41.20	215T	447.39
222	41.72	31.18	34.56	45.70	215T	586.65
245	46.46	34.41	37.84	50.40	256T	713.62
270	51.46	37.93	40.25	55.60	256T	855.49
300	57.64	42.14	43.16	61.80	286T	1027.05
330	63.87	46.36	46.05	67.90	286T	1245.89
365	71.52	51.28	52.76	75.10	286T	1465.89
402	79.14	56.48	55.86	82.80	326T	1763.86
445	87.98	62.50	59.40	91.60	326T	2201.09
490	97.26	68.84	62.54	100.90	326T	2699.61
542	107.96	76.14	67.19	111.60	365T	3197.68
600	119.90	84.30	71.27	123.50	365T	4369.42

REVISION:

FORM:

REPLACES: