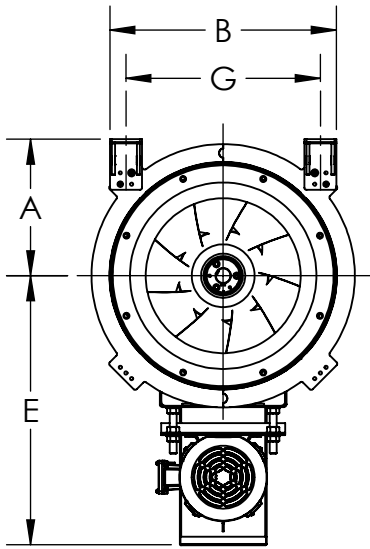


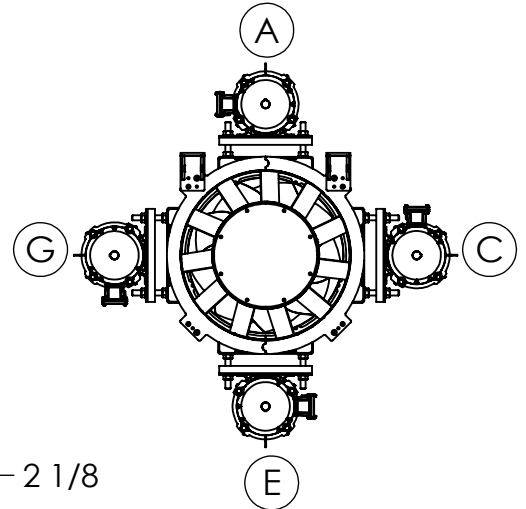
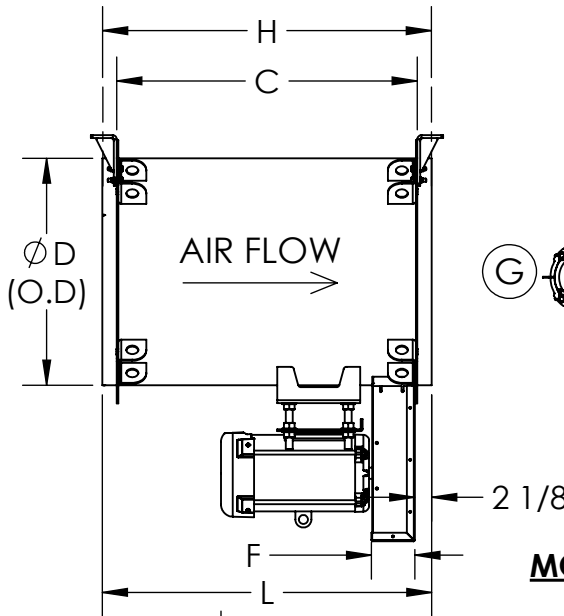


DATE: TAG:  
 JOB:  
 PROJECT:  
 COMPANY:  
 SALES PERSON:

MXI-ARRANGEMENT-9, LEVEL 1,  
 HORIZONTAL CEILING HUNG



**INLET VIEW**



**MOTOR POSITIONS AVAILABLE  
 (DISCHARGE VIEW)**

**Standard Construction:**

- 1. High Efficiency Welded Mixed Flow Wheel
- 2. Welded Guide Vanes
- 3. Bearing Tunnel
- 4. Bearing- L10 Life of 80K Hours
- 5. Adjustable or Constant Drive Kit
- 6. Adjustable Motor Base
- 7. Belt Guard
- 8. Bolted Mounting Feet
- 9. 1045 TG&P Shaft
- 10. Extended Lube Lines

**Accessories:**

- 1. Bearing- L10 Life of 200K Hours
- 2. AMCA B Spark Resistant Construction
- 3. AMCA C Spark Resistant Construction
- 4. Mounting Rails
- 5. Vibration Isolators
- 6. Belt Tunnel
- 7. Motor/Weather Cover
- 8. Piezo Ring
- 9. Disconnect Switch
- 10. Access Door- Hinged or Bolted
- 11. Copper Lube Lines
- 12. Shaft Seal
- 13. Inlet and/or Outlet Flange
- 14. Inlet and/or Outlet Guard
- 15. Companion Flange
- 16. Drain
- 17. Flexible Duct Connector

**DIMENSIONAL DATA**

| Size | A        | B        | C         | D        | E        | F       | G        | H         | L        | MAX MTR FRAME SIZE | LESS MOTOR/ DRIVE WEIGHT (LBS.) |
|------|----------|----------|-----------|----------|----------|---------|----------|-----------|----------|--------------------|---------------------------------|
| 122  | 12 11/16 | 20 13/16 | 21 1/2    | 17 7/8   | 25 1/2   | 3 7/16  | 16 13/16 | 25 1/4    | 25 1/8   | 184T               | 186                             |
| 135  | 14       | 22 1/8   | 24 3/16   | 19 3/4   | 26 3/4   | 3 3/4   | 18 1/8   | 28        | 27 13/16 | 184T               | 218                             |
| 150  | 14 3/4   | 23 11/16 | 27 1/4    | 21 7/8   | 28 3/16  | 4       | 19 11/16 | 31 1/16   | 30 7/8   | 184T               | 249                             |
| 165  | 15 5/16  | 24 3/4   | 30 3/8    | 23 3/8   | 29 13/16 | 4 1/2   | 20 3/4   | 34 1/8    | 33 15/16 | 184T               | 280                             |
| 182  | 16 3/16  | 26 1/2   | 33 7/8    | 25 13/16 | 31 13/16 | 4 15/16 | 22 1/2   | 37 5/8    | 37 7/16  | 215T               | 362                             |
| 200  | 17 1/16  | 28 5/16  | 37 9/16   | 28 3/8   | 33 11/16 | 5 7/16  | 24 5/16  | 41 5/16   | 41 3/16  | 215T               | 449                             |
| 222  | 19 5/8   | 32 1/8   | 42 1/16   | 31 7/16  | 35 5/8   | 6       | 27 1/8   | 45 7/8    | 45 11/16 | 215T               | 587                             |
| 245  | 20 7/8   | 34 7/16  | 46 13/16  | 34 11/16 | 38 7/8   | 6 9/16  | 29 7/16  | 52 1/16   | 50 7/16  | 256T               | 714                             |
| 270  | 22 1/8   | 36 15/16 | 51 15/16  | 38 3/16  | 41 3/8   | 7 1/4   | 31 15/16 | 57 1/4    | 55 9/16  | 256T               | 856                             |
| 300  | 24 3/4   | 40 5/8   | 58 1/8    | 42 7/16  | 43 13/16 | 8       | 35 5/8   | 63 7/16   | 61 3/4   | 286T               | 1027                            |
| 330  | 26 1/4   | 43 5/8   | 64 3/8    | 46 5/8   | 46 5/8   | 8 11/16 | 38 5/8   | 69 5/8    | 68       | 286T               | 1185                            |
| 365  | 29       | 47 5/8   | 71 1/2    | 51 9/16  | 52 3/16  | 9 11/16 | 42 1/8   | 77 1/16   | 75 1/8   | 286T               | 1227                            |
| 402  | 31 7/8   | 51 1/8   | 79 1/8    | 56 3/4   | 55 13/16 | 10 9/16 | 45 13/16 | 84 11/16  | 82 3/4   | 326T               | 1535                            |
| 445  | 34 5/16  | 56 5/16  | 88        | 62 13/16 | 59 9/16  | 11 3/4  | 50 13/16 | 93 1/2    | 91 5/8   | 326T               | 1980                            |
| 490  | 38 1/2   | 63 3/4   | 97 1/4    | 69 1/8   | 62 3/4   | 12 7/8  | 56 1/4   | 104 1/4   | 100 7/8  | 326T               | 2511                            |
| 542  | 41 7/16  | 69 5/8   | 107 15/16 | 76 7/16  | 67 3/8   | 14 1/4  | 62 1/8   | 115       | 111 9/16 | 365T               | 3022                            |
| 600  | 46 1/2   | 76 3/8   | 119 7/8   | 84 9/16  | 71 7/16  | 15 3/4  | 67 3/8   | 126 15/16 | 123 1/2  | 365T               | 4382                            |

ALL DIMENSIONS ARE IN INCHES

REVISION:

FORM:

REPLACES: