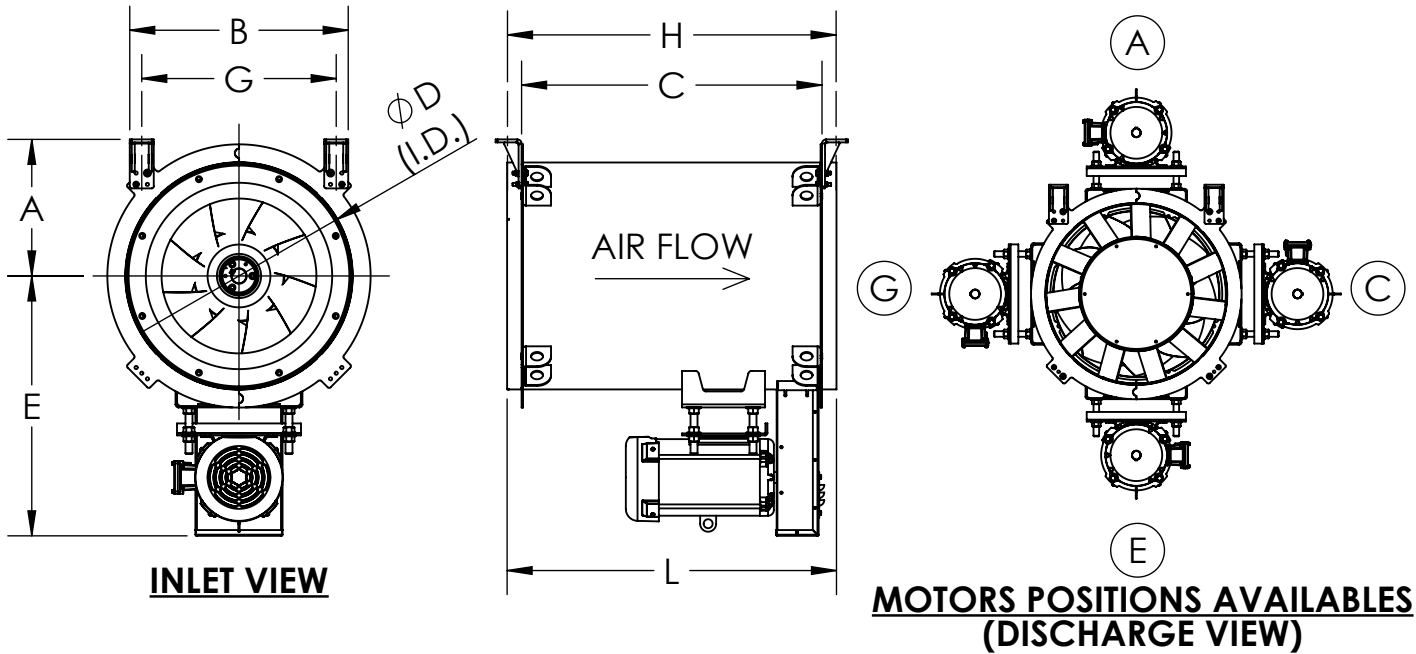


**CYCLONE-ARRANGEMENT-9  
 HORIZONTAL CEILING HUNG**



**Standard Construction:**

- 1. Bearing Tunnel
- 2. Arrangement 9 for Horizontal & Vertical Outlet
- 3. Bolted Mounting Feet
- 4. Aluminum Wheel
- 5. Extended Lube Lines
- 6. Bearings - L10 Life of 100K Hours
- 7. Adjustable Motor Base
- 8. Adjustable or Constant Drive Kit
- 9. 1045 TG&P Shaft
- 10. Guide Vanes
- 11. Bearing Tunnel Covers

**Accessories:**

- 1. Motor Cover
- 2. Belt Tunnel
- 3. Access Door- Bolted
- 4. Access Door- Hinged
- 5. Belt Guard- Sealed
- 6. Belt Guard- Ventilated
- 7. Weather Cover
- 8. Disconnect Switch
- 9. Shaft Seal
- 10. Vibration Isolators
- 11. AMCA B Spark Resistant Construction
- 12. Companion Flange (s)
- 13. Mounting Rails for Vertical and 3/9 o' Clock Motor Position
- 14. Copper Lube Lines
- 15. Stainless Steel Shaft

**DIMENSIONAL DATA**

Size	A	B	C	D	E	G	H	L	MAX MTR FRAME SIZE	LESS MOTOR/ DRIVE WEIGHT (LBS.)
122	12.68	19.78	21.14	17.63	24.39	16.78	25.00	25.10	145T	186.18
135	13.98	21.13	21.81	19.51	25.33	18.13	27.68	27.80	184T	217.55
150	14.76	22.68	26.90	21.68	26.41	19.69	30.76	30.90	184T	249.09
165	15.29	23.75	30.00	23.18	27.16	20.75	33.85	34.00	184T	280.23
182	16.17	25.50	33.49	25.56	30.75	22.50	37.35	37.50	215T	362.32
200	17.07	27.30	37.19	28.09	32.48	24.30	41.06	41.20	215T	447.39
222	19.62	31.12	41.72	31.18	34.56	27.12	45.59	45.70	215T	586.65
245	20.75	34.38	46.46	34.41	37.84	29.38	50.32	50.40	256T	713.62
270	22.03	36.93	51.46	37.93	40.25	31.93	55.47	55.60	256T	855.49
300	24.75	40.63	57.64	42.14	43.16	35.63	61.64	61.80	286T	1027.05
330	26.25	43.63	63.87	46.36	46.05	38.63	67.88	67.90	286T	1245.89
365	29.00	46.62	71.52	51.28	52.76	42.13	78.03	75.10	286T	1465.89
402	31.84	50.82	79.14	56.48	55.86	45.82	86.15	82.80	326T	1763.86
445	34.34	55.80	87.98	62.50	59.40	50.80	95.00	91.60	326T	2201.09
490	38.50	63.74	97.26	68.84	62.54	56.24	103.76	100.90	326T	2699.61
542	41.46	69.65	107.96	76.14	67.19	62.15	114.46	111.60	365T	3197.68
600	46.48	76.21	119.90	84.30	71.27	67.21	126.40	123.50	365T	4369.42

REVISION:

FORM:

REPLACES: