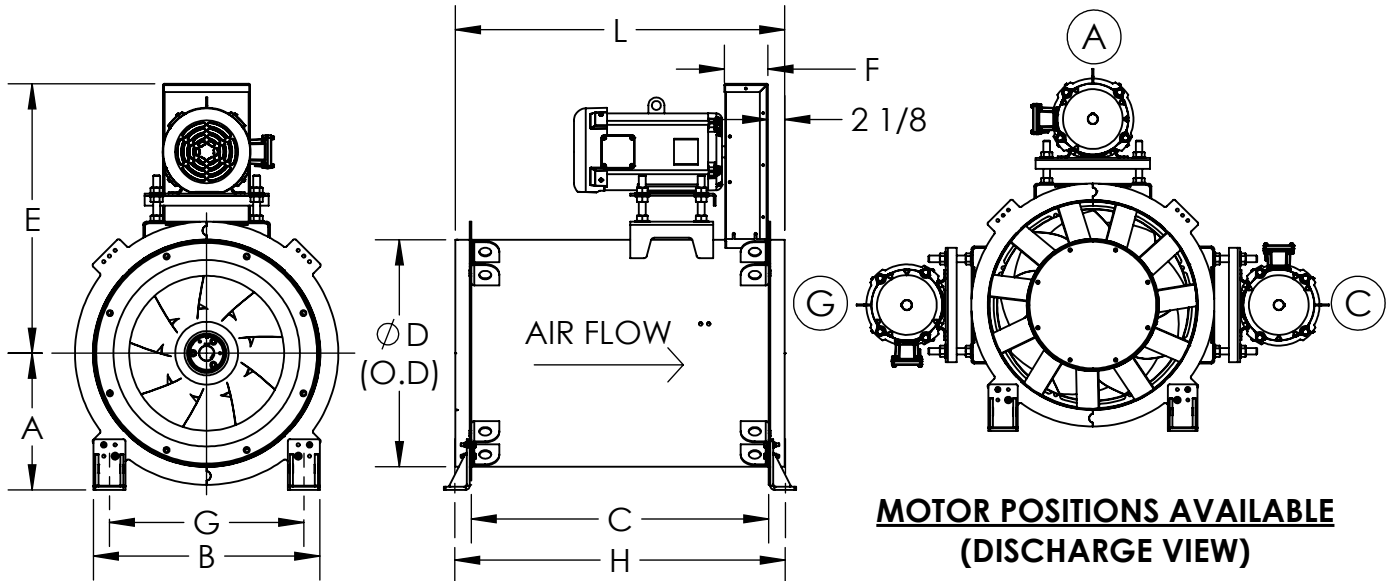




DATE: TAG:  
 JOB:  
 PROJECT:  
 COMPANY:  
 SALES PERSON:

MXI-ARRANGEMENT-9, LEVEL 1,  
 HORIZONTAL BASE MOUNT



**INLET VIEW**

**MOTOR POSITIONS AVAILABLE  
 (DISCHARGE VIEW)**

**Standard Construction:**

- 1.High Efficiency Welded Mixed Flow Wheel
- 2.Welded Guide Vanes
- 3.Bearing Tunnel
- 4.Bearing- L10 Life of 80K Hours
- 5.Adjustable or Constant Drive Kit

6. Adjustable Motor Base
7. Belt Guard
8. Bolted Mounting Feet
9. 1045 TG&P Shaft
10. Extended Lube Lines

**Accessories:**

- 1.Bearing- L10 Life of 200K Hours
- 2.AMCA B Spark Resistant Construction
- 3.AMCA C Spark Resistant Construction
- 4.Mounting Rails
- 5.Vibration Isolators
- 6.Belt Tunnel
- 7.Motor/Weather Cover
- 8.Piezo Ring
- 9.Disconnect Switch
- 10.Access Door- Hinged or Bolted
- 11.Copper Lube Lines
- 12.Shaft Seal
- 13.Inlet and/or Outlet Flange
- 14.Inlet and/or Outlet Guard
- 15.Companion Flange
- 16.Drain
- 17.Flexible Duct Connector

**DIMENSIONAL DATA**

Size	A	B	C	D	E	F	G	H	L	MAX MTR FRAME SIZE	LESS MOTOR/ DRIVE WEIGHT (LBS.)
122	12 11/16	20 13/16	21 1/2	17 7/8	25 1/2	3 7/16	16 13/16	25 1/4	25 1/8	184T	186
135	14	22 1/8	24 3/16	19 3/4	26 3/4	3 3/4	18 1/8	28	27 13/16	184T	218
150	14 3/4	23 11/16	27 1/4	21 7/8	28 3/16	4	19 11/16	31 1/16	30 7/8	184T	249
165	15 5/16	24 3/4	30 3/8	23 3/8	29 13/16	4 1/2	20 3/4	34 1/8	33 15/16	184T	280
182	16 3/16	26 1/2	33 7/8	25 13/16	31 13/16	4 15/16	22 1/2	37 5/8	37 7/16	215T	362
200	17 1/16	28 5/16	37 9/16	28 3/8	33 11/16	5 7/16	24 5/16	41 5/16	41 3/16	215T	449
222	19 5/8	32 1/8	42 1/16	31 7/16	35 5/8	6	27 1/8	45 7/8	45 11/16	215T	587
245	20 7/8	34 7/16	46 13/16	34 11/16	38 7/8	6 9/16	29 7/16	52 1/16	50 7/16	256T	714
270	22 1/8	36 15/16	51 15/16	38 3/16	41 3/8	7 1/4	31 15/16	57 1/4	55 9/16	256T	856
300	24 3/4	40 5/8	58 1/8	42 7/16	43 13/16	8	35 5/8	63 7/16	61 3/4	286T	1027
330	26 1/4	43 5/8	64 3/8	46 5/8	46 5/8	8 11/16	38 5/8	69 5/8	68	286T	1185
365	29	47 5/8	71 1/2	51 9/16	52 3/16	9 11/16	42 1/8	77 1/16	75 1/8	286T	1227
402	31 7/8	51 1/8	79 1/8	56 3/4	55 13/16	10 9/16	45 13/16	84 11/16	82 3/4	326T	1535
445	34 5/16	56 5/16	88	62 13/16	59 9/16	11 3/4	50 13/16	93 1/2	91 5/8	326T	1980
490	38 1/2	63 3/4	97 1/4	69 1/8	62 3/4	12 7/8	56 1/4	104 1/4	100 7/8	326T	2511
542	41 7/16	69 5/8	107 15/16	76 7/16	67 3/8	14 1/4	62 1/8	115	111 9/16	365T	3022
600	46 1/2	76 3/8	119 7/8	84 9/16	71 7/16	15 3/4	67 3/8	126 15/16	123 1/2	365T	4382

ALL DIMENSIONS ARE IN INCHES

REVISION:

FORM:

REPLACES: