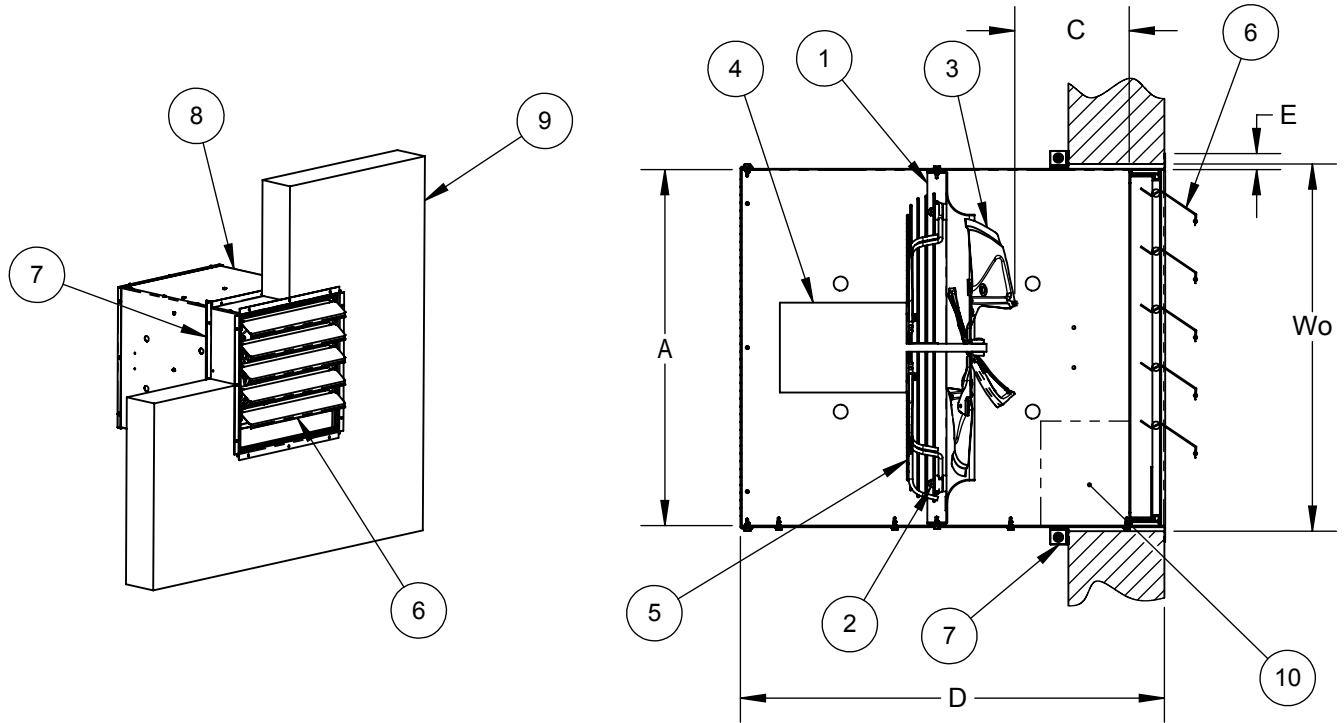


**SWP FAN PACK  
 MODELS SWP08 THRU SWP20**



**LEGEND**

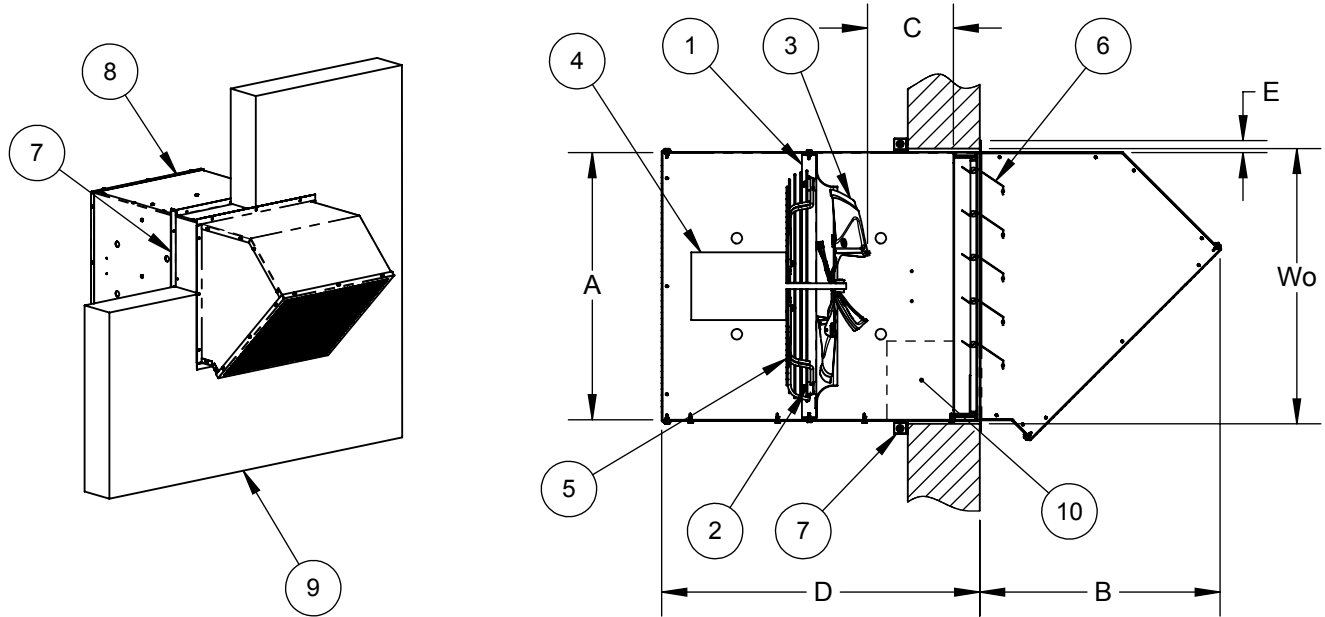
- |                                      |   |
|--------------------------------------|---|
| 1. POWDER COATED STEEL VENTURI PANEL | 6. WALL SHUTTER/DAMPER                                  |
| 2. RIS VIBRATION MOUNTS AND HARDWARE | 7. PERIMETER ANGLE FRAME (ADJUSTABLE TO WALL THICKNESS) |
| 3. PROPELLER                         | 8. GALVANIZED STEEL WALL SLEEVE                         |
| 4. MOTOR                             | 9. WALL (BY OTHERS)                                     |
| 5. WIRE GUARD                        | 10. LOUVER ACTUATOR <sup>1</sup>                        |

**DIMENSIONAL DATA**

MODEL	A <sup>SQ</sup>	C <sup>MIN</sup>	D <sup>1</sup>	D'	E	Wo <sup>SQ</sup>
SWP08	13.25	6.00	24.55	31.42	1.00	13.75
SWP10	15.25	6.00	24.43	31.92	1.00	15.75
SWP12	18.25	6.00	25.43	31.92	1.00	18.75
SWP14	20.25	6.00	26.42	32.92	1.00	20.75
SWP16	22.25	6.00	26.55	32.92	1.00	22.75
SWP18	24.25	6.00	28.80	34.80	1.00	24.75
SWP20	26.25	6.00	28.80	34.80	1.00	26.75

1. WHEN LOUVER ACTUATOR IS SELECTED USE D' DIMENSION.

**SWP FAN PACK W/45° WEATHER HOOD  
 MODELS SWP08 THRU SWP20**



**LEGEND**

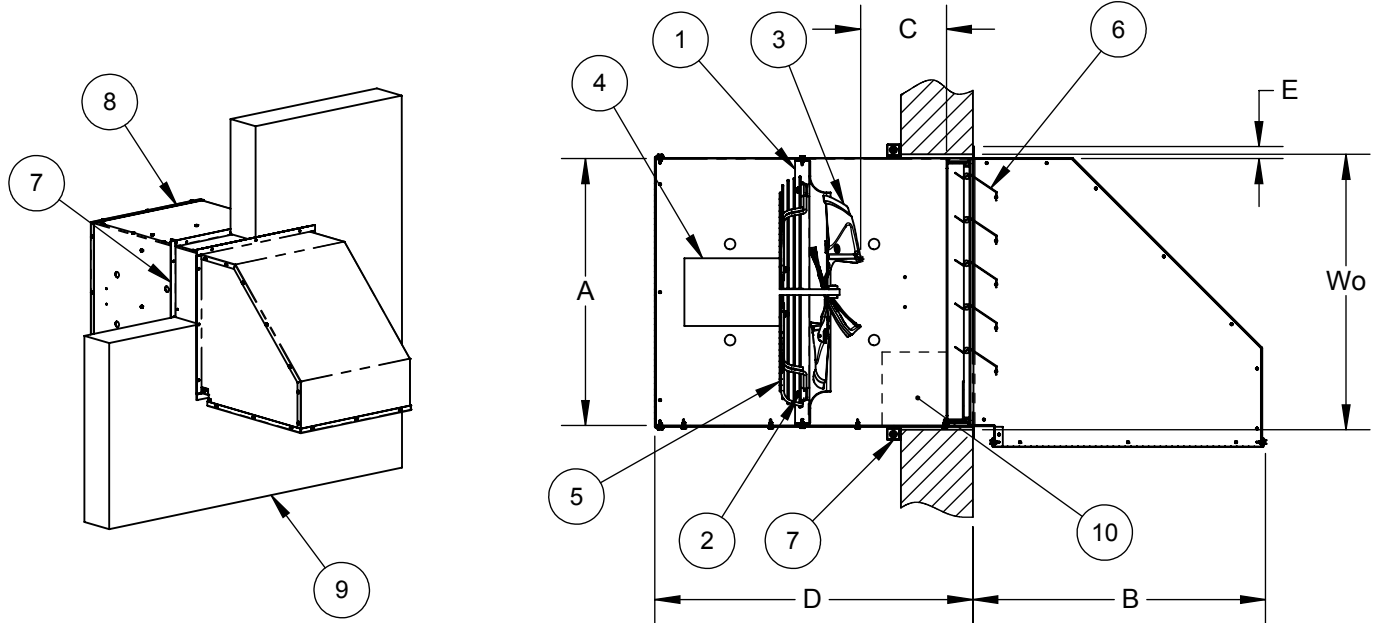
- |                                      |   |
|--------------------------------------|---|
| 1. POWDER COATED STEEL VENTURI PANEL | 6. WALL SHUTTER/DAMPER                                  |
| 2. RIS VIBRATION MOUNTS AND HARDWARE | 7. PERIMETER ANGLE FRAME (ADJUSTABLE TO WALL THICKNESS) |
| 3. PROPELLER                         | 8. GALVANIZED STEEL WALL SLEEVE                         |
| 4. MOTOR                             | 9. WALL (BY OTHERS)                                     |
| 5. WIRE GUARD                        | 10. LOUVER ACTUATOR <sup>1</sup>                        |

**DIMENSIONAL DATA**

MODEL	A <sup>SQ</sup>	B	C <sup>MIN</sup>	D <sup>1</sup>	D'	E	Wo <sup>SQ</sup>
SWP08	13.25	15.43	6.00	24.55	31.42	1.00	13.75
SWP10	15.25	17.56	6.00	24.43	31.92	1.00	15.75
SWP12	18.25	20.43	6.00	25.43	31.92	1.00	18.75
SWP14	20.25	22.56	6.00	26.42	32.92	1.00	20.75
SWP16	22.25	24.06	6.00	26.55	32.92	1.00	22.75
SWP18	24.25	26.56	6.00	28.80	34.80	1.00	24.75
SWP20	26.25	28.81	6.00	28.80	34.80	1.00	26.75

1. WHEN LOUVER ACTUATOR IS SELECTED USE D' DIMENSION.

**SWP FAN PACK W/90° WEATHER HOOD  
 MODELS SWP08 THRU SWP20**



**LEGEND**

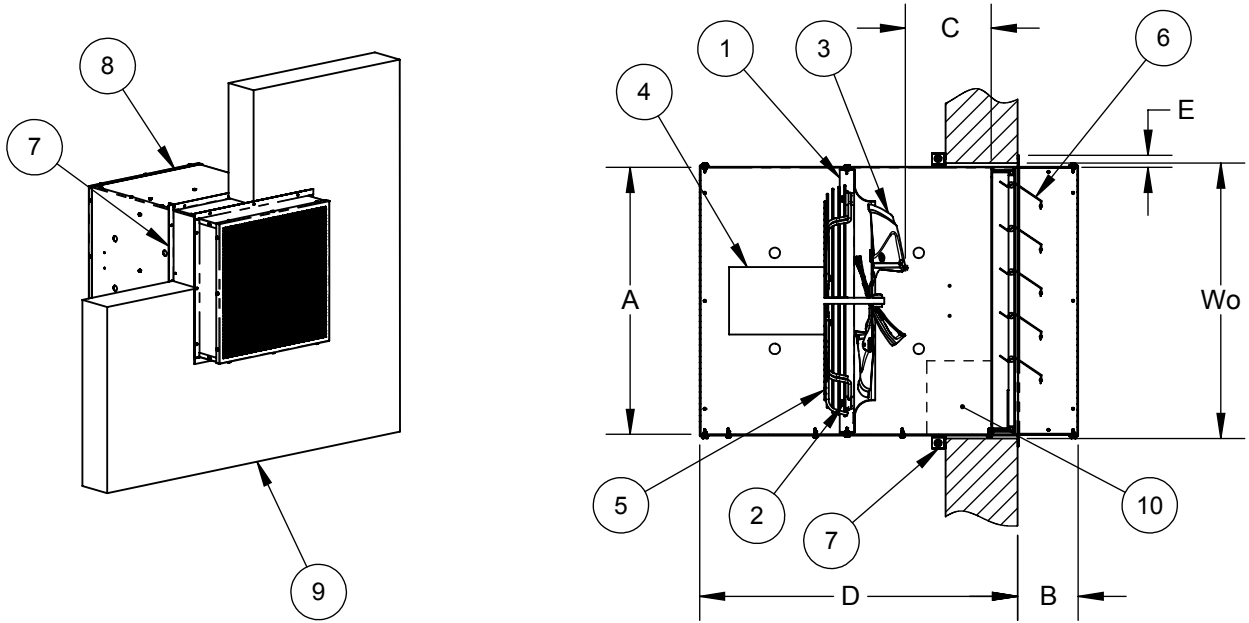
- |                                      |   |
|--------------------------------------|---|
| 1. POWDER COATED STEEL VENTURI PANEL | 6. WALL SHUTTER/DAMPER                                  |
| 2. RIS VIBRATION MOUNTS AND HARDWARE | 7. PERIMETER ANGLE FRAME (ADJUSTABLE TO WALL THICKNESS) |
| 3. PROPELLER                         | 8. GALVANIZED STEEL WALL SLEEVE                         |
| 4. MOTOR                             | 9. WALL (BY OTHERS)                                     |
| 5. WIRE GUARD                        | 10. LOUVER ACTUATOR <sup>1</sup>                        |

**DIMENSIONAL DATA**

MODEL	A <sup>SQ</sup>	B	C <sup>MIN</sup>	D <sup>1</sup>	D'	E	Wo <sup>SQ</sup>
SWP08	13.25	15.43	6.00	24.55	31.42	1.00	13.75
SWP10	15.25	17.56	6.00	24.43	31.92	1.00	15.75
SWP12	18.25	20.43	6.00	25.43	31.92	1.00	18.75
SWP14	20.25	22.56	6.00	26.42	32.92	1.00	20.75
SWP16	22.25	24.06	6.00	26.55	32.92	1.00	22.75
SWP18	24.25	26.56	6.00	28.80	34.80	1.00	24.75
SWP20	26.25	28.81	6.00	28.80	34.80	1.00	26.75

1. WHEN LOUVER ACTUATOR IS SELECTED USE D' DIMENSION.

**SWP FAN PACK W/DAMPER GUARD  
 MODELS SWP08 THRU SWP20**



**LEGEND**

- 1. POWDER COATED STEEL VENTURI PANEL
- 2. RIS VIBRATION MOUNTS AND HARDWARE
- 3. PROPELLER
- 4. MOTOR
- 5. WIRE GUARD
- 6. WALL SHUTTER/DAMPER
- 7. PERIMETER ANGLE FRAME (ADJUSTABLE TO WALL THICKNESS)
- 8. GALVANIZED STEEL WALL SLEEVE
- 9. WALL (BY OTHERS)
- 10. LOUVER ACTUATOR<sup>1</sup>

**DIMENSIONAL DATA**

MODEL	A <sup>SQ</sup>	B	C <sup>MIN</sup>	D <sup>1</sup>	D'	E	Wo <sup>SQ</sup>
SWP08	13.25	5.39	6.00	24.55	31.42	1.00	13.75
SWP10	15.25	6.39	6.00	24.43	31.92	1.00	15.75
SWP12	18.25	5.14	6.00	25.43	31.92	1.00	18.75
SWP14	20.25	6.39	6.00	26.42	32.92	1.00	20.75
SWP16	22.25	4.84	6.00	26.55	32.92	1.00	22.75
SWP18	24.25	4.89	6.00	28.80	34.80	1.00	24.75
SWP20	26.25	6.39	6.00	28.80	34.80	1.00	26.75

1. WHEN LOUVER ACTUATOR IS SELECTED USE D' DIMENSION.