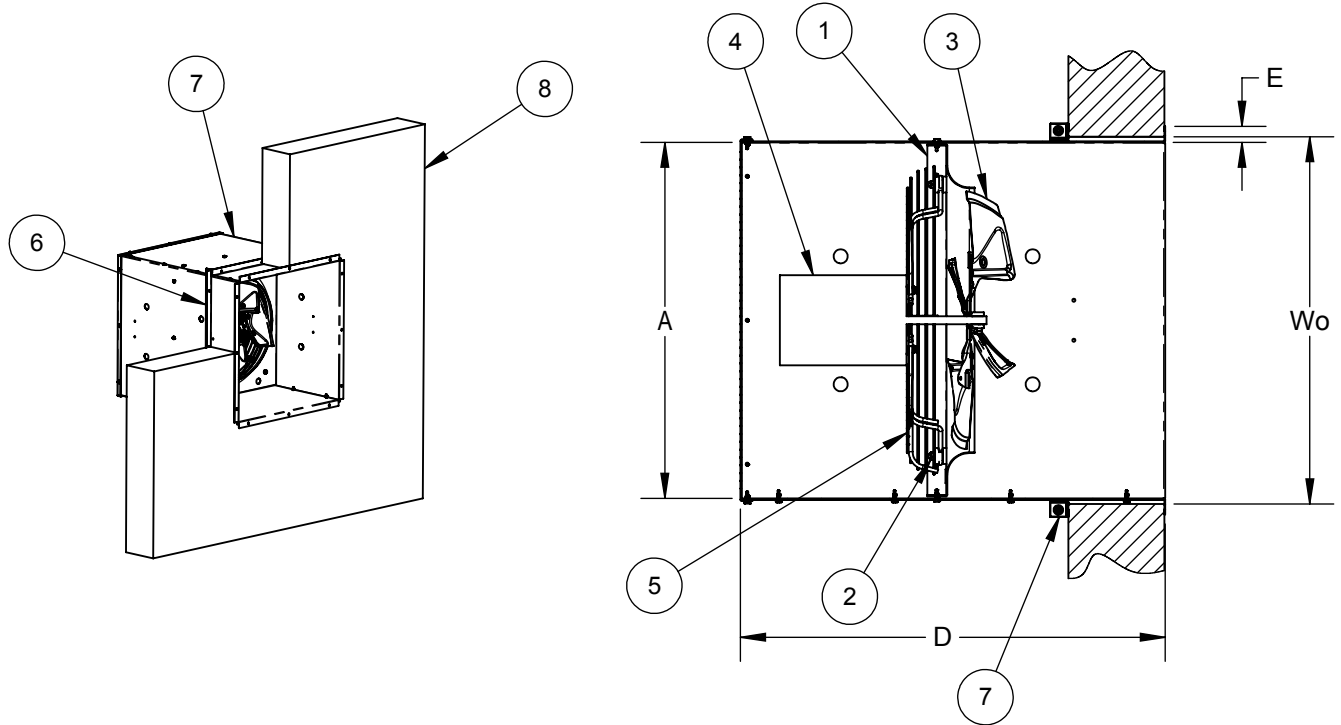


## SWP WALL SLEEVE MODELS SWP08 THRU SWP20



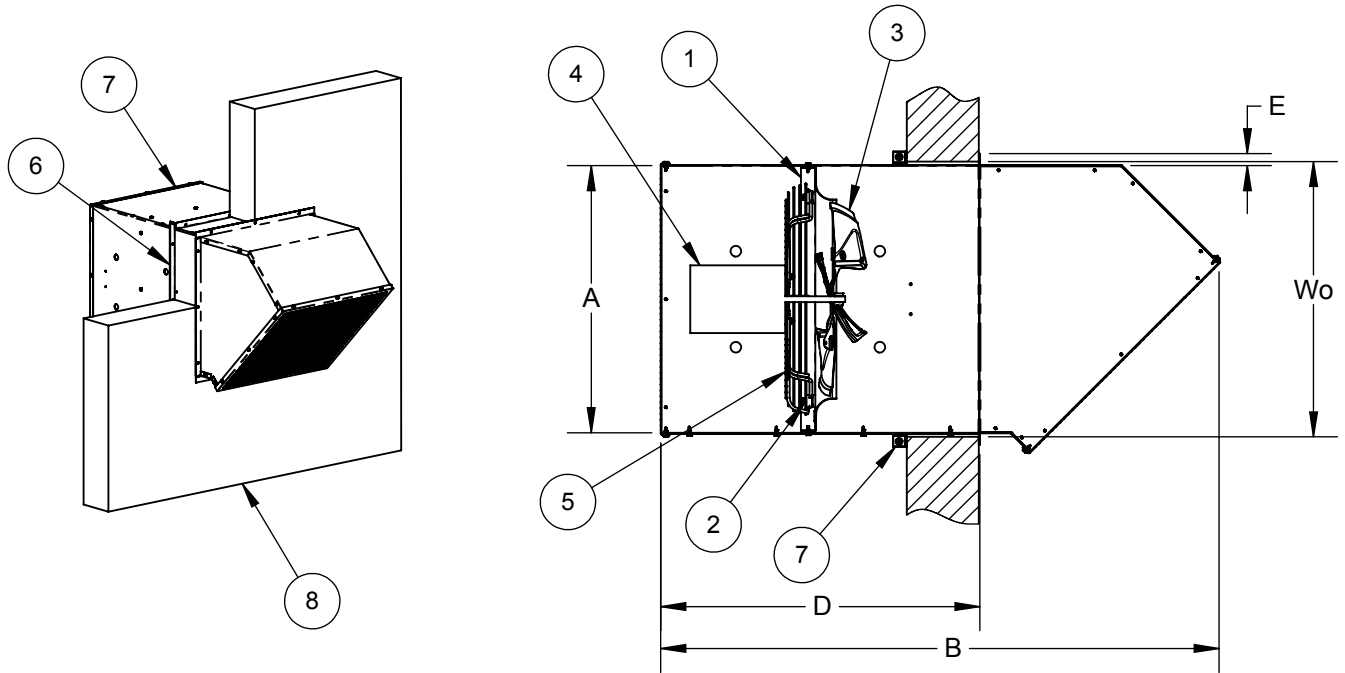
### LEGEND

- |  |  |
|--|--|
| <ul style="list-style-type: none"> <li>1. POWDER COATED STEEL VENTURI PANEL</li> <li>2. RIS VIBRATION MOUNTS AND HARDWARE</li> <li>3. PROPELLER</li> <li>4. MOTOR</li> </ul> | <ul style="list-style-type: none"> <li>5. WIRE GUARD</li> <li>6. PERIMETER ANGLE FRAME (ADJUSTABLE TO WALL THICKNESS)</li> <li>7. GALVANIZED STEEL WALL SLEEVE</li> <li>8. WALL (BY OTHERS)</li> </ul> |
|--|--|

### DIMENSIONAL DATA

MODEL	A <sup>SQ</sup>	D	E	Wo <sup>SQ</sup>
SWP08	13.25	24.55	1.00	13.75
SWP10	15.25	24.43	1.00	15.75
SWP12	18.25	25.43	1.00	18.75
SWP14	20.25	26.42	1.00	20.75
SWP16	22.25	26.55	1.00	22.75
SWP18	24.25	28.80	1.00	24.75
SWP20	26.25	28.80	1.00	26.75

**SWP WALL SLEEVE W/45° WEATHER HOOD  
 MODELS SWP08 THRU SWP20**



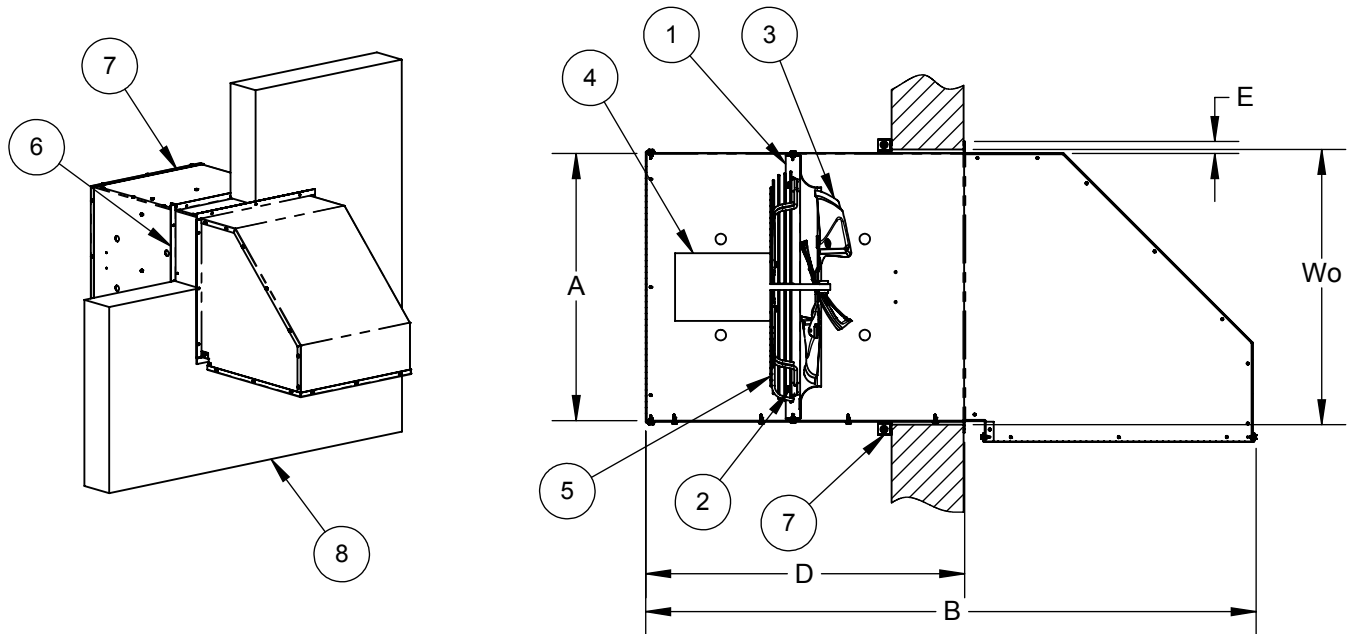
**LEGEND**

- 1. POWDER COATED STEEL VENTURI PANEL
- 2. RIS VIBRATION MOUNTS AND HARDWARE
- 3. PROPELLER
- 4. MOTOR
- 5. WIRE GUARD
- 6. PERIMETER ANGLE FRAME (ADJUSTABLE TO WALL THICKNESS)
- 7. GALVANIZED STEEL WALL SLEEVE
- 8. WALL (BY OTHERS)

**DIMENSIONAL DATA**

MODEL	A <sup>SQ</sup>	B	D	E	Wo <sup>SQ</sup>
SWP08	13.25	38.01	24.55	1.00	13.75
SWP10	15.25	39.51	24.43	1.00	15.75
SWP12	18.25	42.01	25.43	1.00	18.75
SWP14	20.25	38.45	26.42	1.00	20.75
SWP16	22.25	46.63	26.55	1.00	22.75
SWP18	24.25	51.00	28.80	1.00	24.75
SWP20	26.25	52.50	28.80	1.00	26.75

**SWP WALL SLEEVE X/90° WEATHER HOOD  
 MODELS SWP08 THRU SWP20**



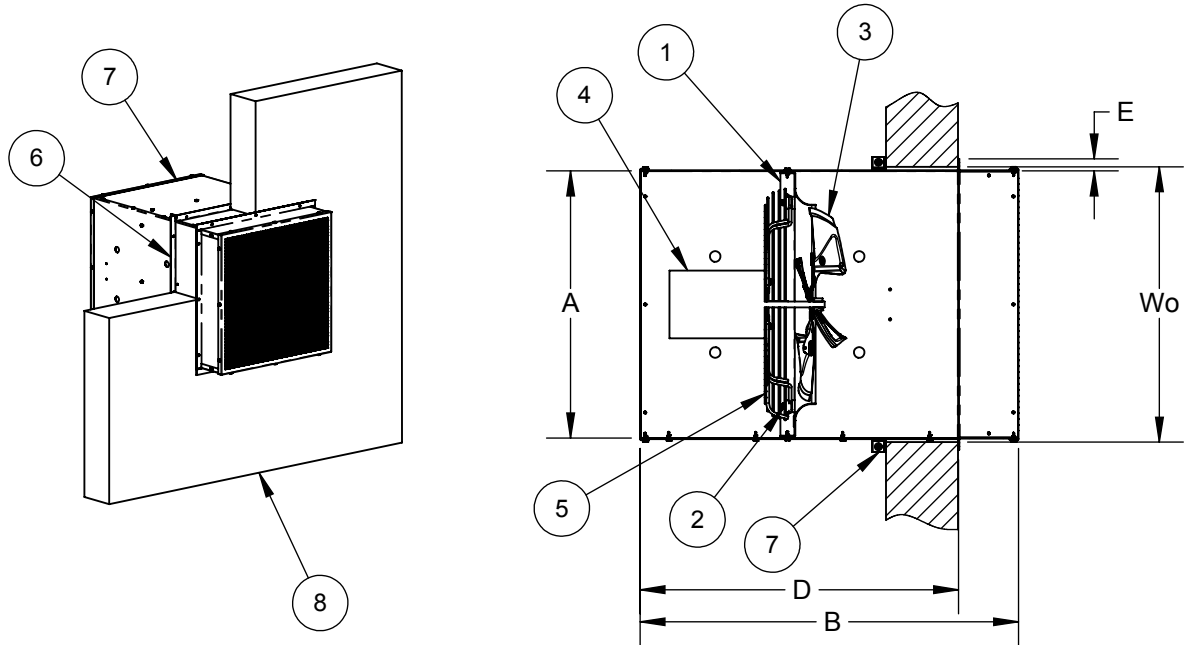
**LEGEND**

- 1. POWDER COATED STEEL VENTURI PANEL
- 2. RIS VIBRATION MOUNTS AND HARDWARE
- 3. PROPELLER
- 4. MOTOR
- 5. WIRE GUARD
- 6. PERIMETER ANGLE FRAME (ADJUSTABLE TO WALL THICKNESS)
- 7. GALVANIZED STEEL WALL SLEEVE
- 8. WALL (BY OTHERS)

**DIMENSIONAL DATA**

MODEL	A <sup>SQ</sup>	B	D	E	Wo <sup>SQ</sup>
SWP08	13.25	40.27	24.55	1.00	13.75
SWP10	15.25	42.28	24.43	1.00	15.75
SWP12	18.25	46.14	25.43	1.00	18.75
SWP14	20.25	49.27	26.42	1.00	20.75
SWP16	22.25	50.88	26.55	1.00	22.75
SWP18	24.25	55.63	28.80	1.00	24.75
SWP20	26.25	57.88	28.80	1.00	26.75

**SWP WALL SLEEVE W/DAMPER GUARD  
 MODELS SWP08 THRU SWP20**



**LEGEND**

- |                                      |   |
|--------------------------------------|---|
| 1. POWDER COATED STEEL VENTURI PANEL | 6. PERIMETER ANGLE FRAME (ADJUSTABLE TO WALL THICKNESS) |
| 2. RIS VIBRATION MOUNTS AND HARDWARE | 7. GALVANIZED STEEL WALL SLEEVE                         |
| 3. PROPELLER                         | 8. WALL (BY OTHERS)                                     |
| 4. MOTOR                             |   |
| 5. WIRE GUARD                        |   |

**DIMENSIONAL DATA**

MODEL	A <sup>SQ</sup>	B	D	E	Wo <sup>SQ</sup>
SWP08	13.25	29.94	24.55	1.00	13.75
SWP10	15.25	30.82	24.43	1.00	15.75
SWP12	18.25	46.14	25.43	1.00	18.75
SWP14	20.25	32.81	26.42	1.00	20.75
SWP16	22.25	31.39	26.55	1.00	22.75
SWP18	24.25	33.69	28.80	1.00	24.75
SWP20	26.25	35.19	28.80	1.00	26.75