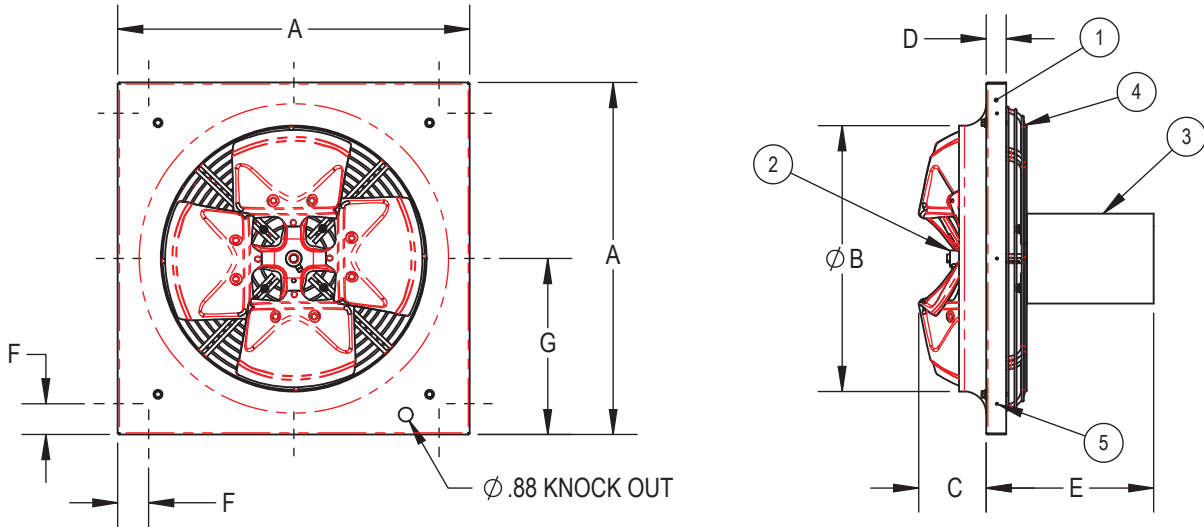




DATE: TAG:  
 JOB:  
 PROJECT:  
 COMPANY:  
 SALES PERSON:

PRINT DATE: 7/20/2018

## SWP MODELS SWP14 THRU SWP20



### DIMENSIONAL DATA

MODEL	A	B	C <sup>MAX</sup>	C <sup>MAX</sup>	D	E <sup>MAX</sup>	F	G
SWP14	20.00	14.51	3.22	3.22	1.00	10.65	1.93	10.00
SWP16	22.00	16.61	4.21	4.21	1.25	10.46	1.93	11.00
SWP18	24.00	18.61	2.00	2.00	1.25	10.25	1.93	12.00
SWP20	26.00	20.61	2.20	2.20	1.25	10.25	1.93	13.00

**NOTE:** Guards should be installed when fans are located within seven feet of floor and/or working level or within reach of personnel. (Review OSHA codes for specific requirements)

All dimensions in inches.

**Material:** Powder Coated Steel

### LEGEND

- |  |  |
|--|--|
| <ul style="list-style-type: none"> <li>1 Venturi Panel</li> <li>2 Steel Hub w/Aluminum Blades</li> <li>3 Ball Bearing Motor (ECM)</li> </ul> | <ul style="list-style-type: none"> <li>4 Wire Guard</li> <li>5 Hardware Package</li> </ul> |
|--|--|

### FEATURES

- Powder Coat Steel Panel
- AMCA Certified Air and Sound Certified
- Exhaustor Supply in light-duty applications
- All propellers statically and dynamically balanced
- Complies with AMCA Standard 204-96
- UL 705 Certified

### OPTIONS

#### MOTOR SPEED

1=SINGLE

#### FREQUENCY

5=50HZ  6=60HZ

#### PROPELLER BLADE PITCH

421  424  426

428  436  440

#### HORSE POWER

1/2  3/4

#### PHASE

1=SINGLE

#### CONTROLLER

0 = NONE

B = PWM Controller

#### WEATHER HOOD/SHUTTER GUARD

0 = NONE

C = SWP Weather hood 45°  
w/ front guard (assembled)

D = SWP Weather hood 90°  
w/ front guard (assembled)

E = SWP Shutter guard  
w/ front guard (assembled)

#### MOTOR

Totally Enclosed (TE)  
w/ Overload protection

#### APPLICATION

E = Exhaust

S = Supply

#### CONSTRUCTION ACCESSORIES

0 = Exhaust

P = Fan Pack (assembled)

W = Wall Sleeve (assembled)

#### EFFICIENCY

G=Green Plus (ECM)

REVISION:

FORM:

REPLACES: