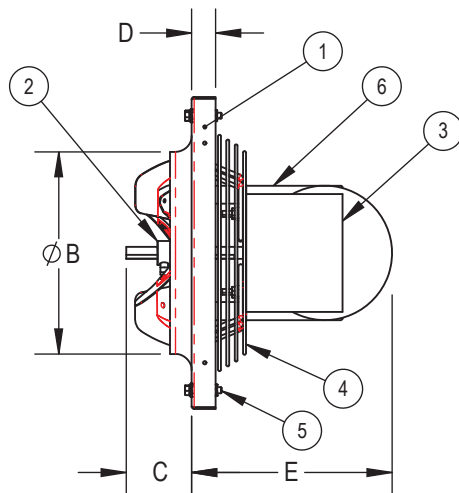
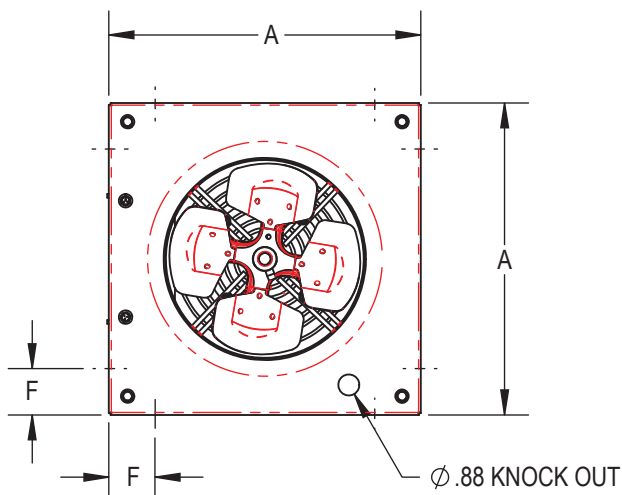


**SWP
 MODELS SWP08 THRU SWP12**



DIMENSIONAL DATA

MODEL	A	B	C ^{MAX}	D	E ^{MAX}	F
SWP8	13.00	8.42	2.72	1.00	8.34	1.93
SWP10	15.00	10.50	2.78	1.00	8.35	1.93
SWP12	18.00	12.51	3.06	1.00	8.35	1.93

NOTE: Guards should be installed when fans are located within seven feet of floor and/or working level. All dimensions in inches.
 or within reach of personnel. (Review OSHA codes for specific requirements) **Material:** Powder Coated Steel

LEGEND

- 1 Venturi Panel
- 2 Steel Hub w/Aluminum Blades
- 3 Ball Bearing Motor (ECM)
- 4 Wire Guard
- 5 Hardware Package
- 6 Control Bracket

FEATURES

- Powder Coat Steel Panel
- AMCA Certified Air and Sound Performance
- Exhaust or Supply in light-duty applications
- All propellers statically and dynamically balanced
- Complies with AMCA Standard 204-96
- UL 705 Certified

OPTIONS

MOTOR SPEED

1=SINGLE

FREQUENCY

5=50HZ 6=60HZ

PROPELLER BLADE PITCH

426 432 436 440

HORSE POWER

1/6 1/4 1/3 1/2 3/4

PHASE

1=SINGLE

CONTROLLER

0 = NONE

B = PWM Controller

WEATHER HOOD/SHUTTER GUARD

0 = NONE

C = SWP Weather hood 45° w/ front guard (assembled)

D = SWP Weather hood 90° w/ front guard (assembled)

E = SWP Shutter guard w/ front guard (assembled)

MOTOR

Totally Enclosed (TE) w/ Overload protection

APPLICATION

E = Exhaust

S = Supply

CONSTRUCTION ACCESSORIES

0 = Exhaust

P = Fan Pack (assembled)

W = Wall Sleeve (assembled)

EFFICIENCY

G=Green Plus (ECM)

REVISION:

FORM:

REPLACES: