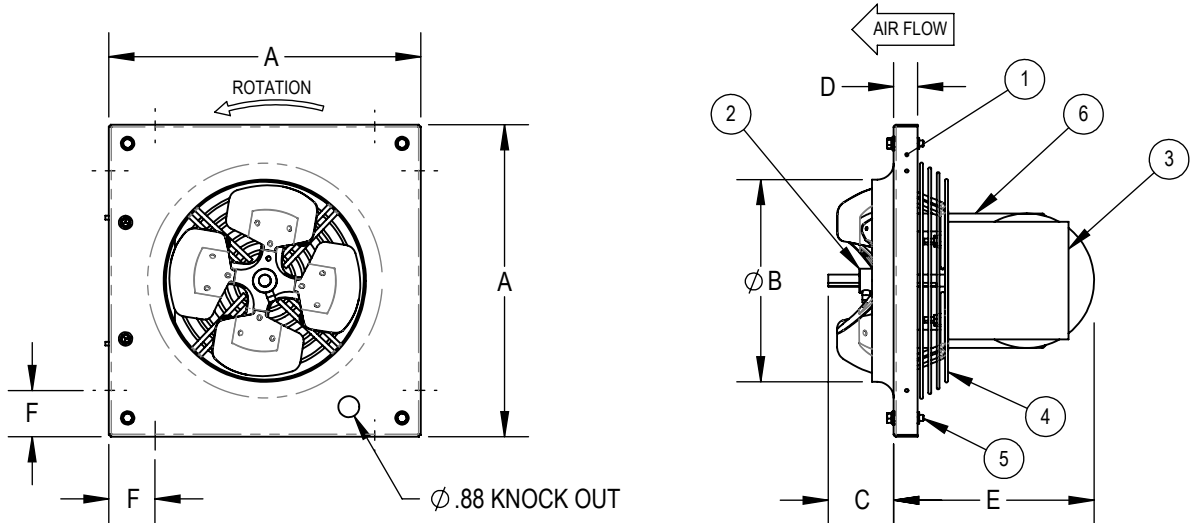




DATE: TAG:  
 JOB:  
 PROJECT:  
 COMPANY:  
 SALES PERSON:

PRINT DATE: 11/30/2023

## SWP MODELS SWP08 THRU SWP12



### DIMENSIONAL DATA

MODEL	A	B	C <sup>MAX</sup>	D	E <sup>MAX</sup>	F
SWP8	13.00	8.42	2.72	1.00	8.34	1.93
SWP10	15.00	10.50	2.78	1.00	8.35	1.93
SWP12	18.00	12.51	3.06	1.00	8.35	1.93

**NOTE:** Guards should be installed when fans are located within seven feet of floor and/or working level or within reach of personel.  
 (Review OSHA codes for specific requirements)

All dimensions in inches.  
**Material:** Powder Coated Steel.

### LEGEND

- |  |   |
|--|---|
| <ul style="list-style-type: none"> <li>1 Venturi Panel</li> <li>2 Steel Hub w/Aluminum Blades</li> <li>3 Ball Bearing Motor (ECM)</li> </ul> | <ul style="list-style-type: none"> <li>4 Wire Guard</li> <li>5 Hardware Package</li> <li>6 Control Bracket</li> </ul> |
|--|---|

### FEATURES

- Powder Coat Steel Panel
- All propellers statically and dynamically balanced
- AMCA Certified Air and Sound Performance
- Complies with AMCA Standard 204-96
- Exhaust or Supply in light-duty applications
- UL 705 Certified

### OPTIONS

#### MOTOR SPEED

1=SINGLE

#### FREQUENCY

5=50HZ  6=60HZ

#### PROPELLER BLADE PITCH

426  432  436  440

#### HORSE POWER

1/6  1/4  1/3  1/2  3/4

#### PHASE

1=SINGLE

#### CONTROLLER

0 = NONE

B = PWM Controller

#### WEATHER HOOD/SHUTTER GUARD

0 = NONE

C = SWP Weather hood 45° w/ front guard (assembled)

D = SWP Weather hood 90° w/ front guard (assembled)

E = SWP Shutter guard w/ front guard (assembled)

#### MOTOR

Totally Enclosed (TE) w/ Overload protection

#### APPLICATION

E = Exhaust

S = Supply

#### CONSTRUCTION ACCESSORIES

0 = Exhaust

P = Fan Pack (assembled)

W = Wall Sleeve (assembled)

#### EFFICIENCY

G=Green Plus (ECM)

REVISION:

FORM:

REPLACES:

C:\Users\kraplem\OneDrive - Johnson Controls\Desktop\Projects\SWP\Submittals\Clean up\SWP\_FAN\_submittal