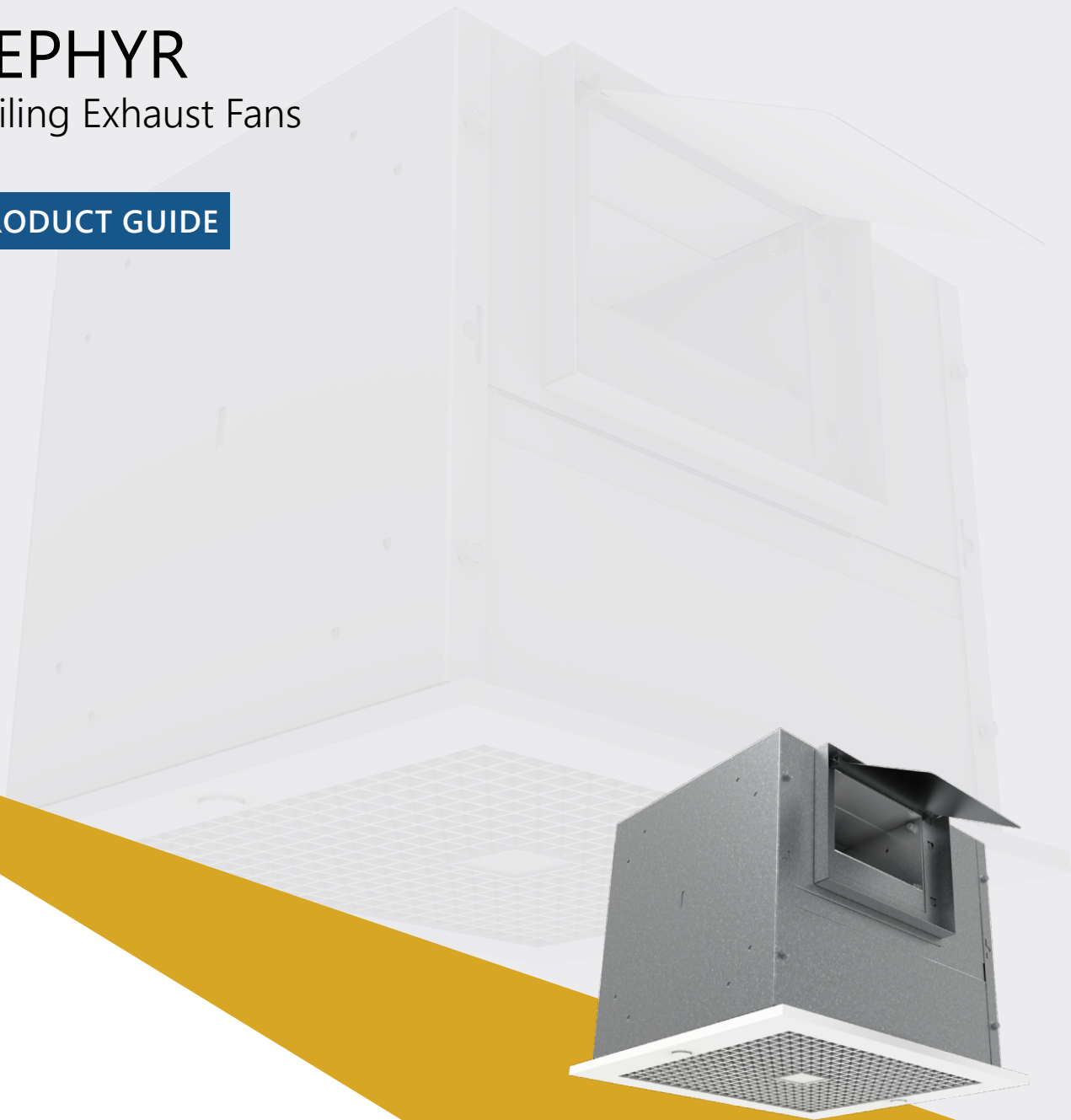


ZEPHYR

Ceiling Exhaust Fans

PRODUCT GUIDE



PENNBARRY™

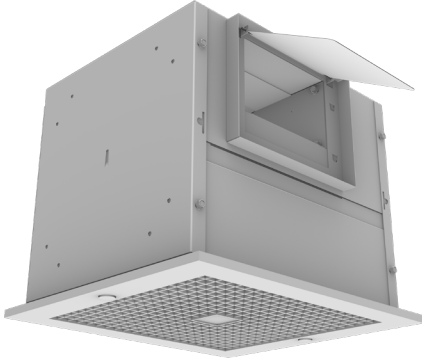
TABLE OF CONTENTS

| | |
|---|------|
| INTRODUCTION | 3-6 |
| CERTIFICATIONS & LISTINGS | 6 |
| FEATURES & BENEFITS | 7 |
| OPTIONS & ACCESSORIES | 8-12 |
| INSTALLATION | 13 |
| Z3 - Z12 CEILING FANS | 14 |
| Z3 - Z12 (TDA) CEILING FANS | 15 |
| Z14 & Z15 LARGE CAPACITY CEILING FANS | 16 |
| ZT & ZJ1 LOW PROFILE CEILING FANS | 17 |
| TRANSFAN TRANSFER FAN | 18 |
| Z1 LOW FLOW CEILING FAN | 19 |
| ZL1 & ZL2 CEILING FANS WITH LIGHT | 20 |
| ZEPHYR FAN SELECTIONS | 21 |

INTRODUCTION

Zephyr Z & Z-TDA Models

The Zephyrs, model Z, are quiet ceiling exhaust fans. Some selections are available with sound ratings below 1 sone. There are 15 types of models that cover a wide range of performance. The units are easily field convertible to change the discharge orientation from right angle to top discharge. They are also easily field convertible from ceiling (model Z) to inline (model Z-TDA) installations. There are multiple sizes that utilize 2 speed motors which allow these units to cover an even greater range. All motors are equipped with thermal overload protection as standard. The units utilize quick access wiring to make them easy to install. Many of the units are offered with variable speed motor control which will allow for easy balancing. All models are AMCA Air and Sound rated and UL507 listed. Select models are UL705 listed. ENERGY STAR® is also available on select models.

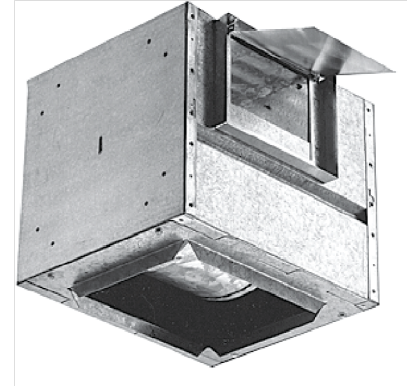


Zephyr



Model: Z8 - Z12

- Zephyr models are ENERGY STAR approved.
- Static pressure up to 1.25" wg.
- Flow capacity up to 1566 CFM.



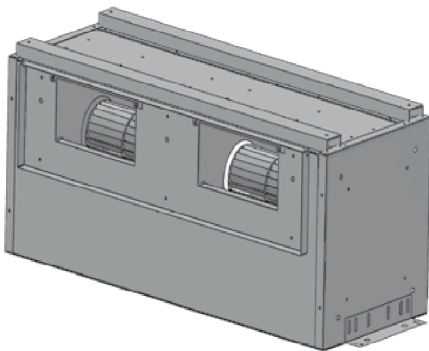
Zephyr TDA

Model: Z3 - Z12 (TDA)

- Static pressure up to 1.5" wg.
- Flow capacity up to 1519 CFM.

Large Capacity Zephyr Fans

PennBarry Zephyr fan models Z14 and Z15 are designed to produce high volumes of air at low noise levels. Fans can be used for general ventilation and exhaust applications. These larger capacity fans will accommodate single or multi-room ventilation and can be installed above the ceiling. The units are AMCA Air certified and UL705 listed. The Z14 is also UL507 listed.



Model: Z14 & Z15

- Static pressure up to 1" wg.
- Flow capacity up to 3290 CFM.

INTRODUCTION

Zephyrette & Zephyr Jr.

The Zephyrette, ZT, and Zephyr Junior, ZJ1, are quiet low profile Zephyrs. They can be installed into very shallow ceilings where other units will not fit. A speed controller is available for both models for precise system balancing and energy conservation. The units come standard with thermally protected motors, AMCA Air rated and UL705, UL507, and CSA listed.



Model: Zephyrette & Zephyr Jr. (ZT & ZJ1)

- Static pressure up to 0.75" wg.
- Flow capacity up to 160 CFM.

Zephyr Transfan

The Transfan is a room-to-room transfer fan. It has an adjustable wall sleeve for varying wall thicknesses and fits easily between wall studs or ceiling joists. It is supplied with a built-in variable speed motor control. It is UL705, UL507, and CSA listed.



Model: Transfan (TF-8)

- Static pressure up to 0.2" wg.
- Flow capacity up to 255 CFM.

INTRODUCTION

Zephyr Ceiling Fan

The Zephyr, Z1, is for very low flow requirements. The unit comes with a white polymeric grille and utilizes a quiet centrifugal blower wheel. The housing is made from rugged steel and has built-in mounting brackets. The exhaust connection is a 4" polymeric round duct connector that has a durable damper that eliminates backdrafts and produces no metallic clatter. The Z1 is UL507 listed for use over bathtubs and showers when connected to a GFCI protected branch circuit. The Z1 is AMCA licensed for Sound and Air performance.

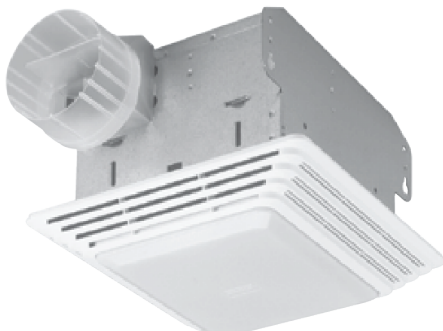


Model: Z1

- Static pressure up to 0.5" wg.
- Flow capacity up to 56 CFM.

Zephyr Ceiling Fans with Light

The Zephyr Light models, ZL1 and ZL2, come with a maximum of 100 watt incandescent light (bulb not included). The units are supplied with an open drip proof motor that utilizes sealed bearings. The units come with a white polymeric grille that has an unbreakable light lens. They utilize quiet centrifugal blower wheels with plug-in receptacles for the fan and light. The housing is made from rugged steel and has built-in mounting brackets. The exhaust connection is a 4" polymeric round duct connector that has a durable damper that eliminates backdrafts and produces no metallic clatter. The models are UL507 listed for use over bathtubs and showers when connected to a GFCI protected branch circuit. The units are AMCA licensed for Sound and Air performance.



Model: ZL1 & ZL2

- Static pressure up to 0.5" wg.
- Flow capacity up to 97 CFM.

CERTIFICATIONS & LISTINGS



AMCA Certification

PennBarry certifies that the Zephyr models shown herein (excludes Transfan) are licensed to bear the AMCA Seal. The ratings shown are based on tests and procedures performed in accordance with AMCA Publication 211 and AMCA Publication 311 and comply with the requirements of the AMCA Certified Ratings Program.



cULus Certification

Zephyr fans carry the UL label, UL705, (ZACT/ZACT7), file #E28413 and UL507, (GPWX), file #E39313. Zephyr fan radiation dampers carry the UL label UL555C, (CABS), file #R8039. Models Z1, ZL1, ZL2, Z8-GP, Z10-GP, Z12-GP, Z8-GPE, Z10-GPE, Z12-GPE are not UL705 certified. Model Z15 is not UL507 certified.



ENERGY STAR® Certification

Fans that are ENERGY STAR® qualified include: Z8-GPE, Z10-GPE, Z12-GPE

FEATURES & BENEFITS

Low Sound

For sound critical applications, the Zephyr S series delivers the lowest sound ratings. All Zephyrs feature acoustically insulated housings, custom designed blower and motor pairings, motors mounted on vibration isolators, and, for all but the smallest Zephyr–Z3H, dual inlet blowers.

High Static Pressures

When higher static pressures are encountered, the Zephyr H series fans excel. Faster RPM's allow these fans to better sustain airflow as static pressure increases. This makes them well-suited for inline applications.

Housings

Housings are fabricated of galvanized steel. Acoustical installation is used to minimize sound.

EasyTap Speed Selection

Selected Zephyrs (Z6S/H, Z8S/H, and Z10S/H) are provided with dual speed motors designed to run at nominal speeds of 1050 and 1550 RPM. By simply changing one wire tap, a fan's speed can be switched. This ability to alter speed and airflow allows on the spot adjustments to deal with unforeseen circumstances. Systems deficiencies can be accommodated in the field quickly and without the added cost of replacing a fan.

Motors

All units have permanently lubricated motors manufactured to PennBarry's exacting specifications. Motors feature built-in overload protection and plug-in disconnects.

Grilles

Constructed of attractive molded white plastic, aerodynamically designed grilles feature an 85% free area. To make for easy removal and cleaning, the grilles are held in place with spring clips. An optional metal face grille with a white finish is available.

Wheels

Wheels are dynamically balanced and performance matched with the motor. On models Z5H and larger, dual inlet blowers are employed to minimize sound levels.

Quick Access Wiring

Access to the motor leads is through a panel in the side of the unit; there is no need to remove the power pack. However, if the need to remove the power pack ever arises, a quick connect plug makes the process simple and easy.

Field Conversion

The Zephyr is designed for quick transition from right angle discharge to top discharge or into an inline configuration. Simply remove two (or four depending upon model) sheet metal screws, switch positions of the access panel and top panel and re-attach screws; and a right angle discharge becomes a top discharge fan. There is no need to remove the power pack. The blower remains oriented in one position while the panels change places. The transformation to an inline fan is accomplished by the replacement of the grille with an access panel. Again, only two (or four) screws are involved in the process.

OPTIONS & ACCESSORIES

Insect Screen

An aluminum insect screen with a smaller mesh than the standard bird screen is also available for any selected cap.

Roof Caps

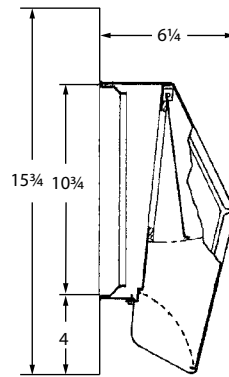
These rustproof, seamless spun aluminum vents provide a discharge cap for flat roof mounting. Unobtrusive and furnished with integral bird screens, they are designed for simple, safe flashing directly to the roof. Mounting flanges are also available turned down as cap flashing when installation on roof curbs is desired. See the PennBarry Weathercap Bulletin for more information.

Sloped Roof Caps

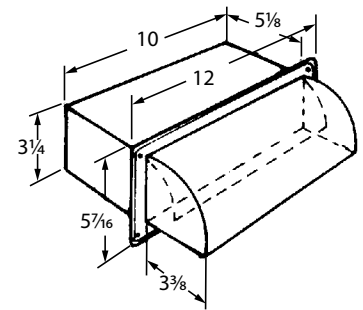
Caps are available for sloped roof applications. Minimum height model SL20 is durable and has a backdraft damper. Models WCF/WCC10, 12, 14, 20 are suitable for mounting on sloped roof 4" in 12" pitch or less.

Wall Caps

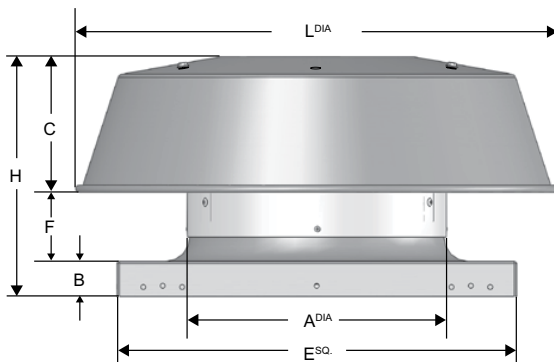
Inconspicuous but efficient wall outlets for the Zephyr fans are provided through the use of the Wall Cap. Architectural values are not diminished by this tastefully designed accessory. When properly installed, it is both watertight and effective.



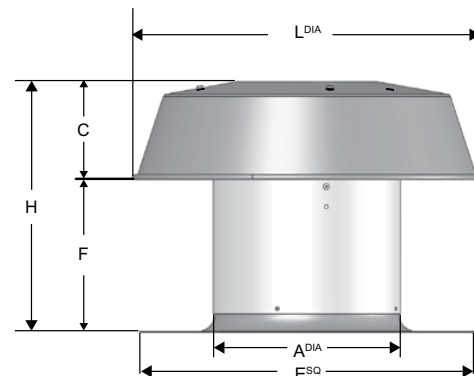
SL20 SLOPED ROOF CAP



WC10 WALL CAP



WCC ROOF CAP (CURB MOUNTED)



WCF ROOF CAP (SELF FLASHING)

OPTIONS & ACCESSORIES

| For Use With | Model | A (Throat Dia) | B | C | E SQ | F | H | L-Dia | Damper SQ |
|---|-------|----------------|-------|---------|---------|--------|---------|---------|-----------|
| Z1, ZL1, ZL2, ZT, ZJ1, Z3H, Z5H, Z6S/H, ZQ80, ZQ110 | WCF06 | 7" | N/A | 3 1/2" | 16 7/8" | 8" | 11 1/2" | 12" | NA |
| Z8S/H, Z8-GP, Z8-GPE, Z81S, Z10S/H, Z10-GP, and Z10-GPE | WCF08 | 9" | N/A | 5 1/2" | 21 1/4" | 8" | 13 1/2" | 18 1/2" | NA |
| Z101S, Z102S | WCF10 | 11" | N/A | 5 1/2" | 21 1/4" | 10" | 15 1/2" | 21" | NA |
| Z12S, Z121S | WCF12 | 13" | N/A | 7" | 24" | 10" | 17" | 25" | NA |
| Z102H, Z12H | WCF14 | 15" | N/A | 7" | 28" | 10" | 17" | 28" | NA |
| Z14, Z15 | WCF20 | 21" | N/A | 10 1/2" | 32" | 12" | 22 1/2" | 37" | NA |
| Z1, ZL1, ZL2, ZT, ZJ1, Z3H, Z5H, Z6S/H | WCC06 | 7" | 1 | 3 1/2" | 15" | 4" | 8 1/2" | 12" | 8 3/4" |
| Z8S/H, Z81S, Z10S/H | WCC08 | 9" | 1-1/2 | 5 1/2" | 18 1/2" | 4" | 11" | 18 1/2" | 11 1/4" |
| Z101S, Z102S | WCC10 | 11" | 1 1/2 | 5 1/2" | 18 1/2" | 4" | 11" | 21" | 11 1/4" |
| Z12S, Z121S | WCC12 | 13" | 2 | 7" | 20 1/2" | 4" | 13" | 25" | 15 3/4" |
| Z102H, Z12H | WCC14 | 15" | 2 | 7" | 24 3/4" | 4" | 13" | 28" | 15 3/4" |
| Z14, Z15 | WCC20 | 21" | 2 | 10 1/2" | 28 1/2" | 5 1/2" | 18" | 37" | 19 3/4" |

Airminder Switch (Time Delay)

The Airminder Model AM12 switch is a UL recognized and CSA certified time-delay relay that operates both the fan and room light to ventilate an area even after the occupants depart. In the "On" position, the Airminder turns the light and fan on immediately. In the "Off" position, the light goes off immediately, and the fan is in operation for a period of time as preset from 1 to 60 minutes. The Airminder switch is suitable only for 1/3 HP maximum at 120/1/60.

Lek-Trol™ Speed Controllers

Lek-Trol™ Speed Controllers permit unlimited air control. They use solid state "quadrac" circuitry and ensure not only complete speed range control and extra long-life reliability but also a savings in the cost of electricity. Lek-Trols can be installed and connected within the fan casing, permitting precise system balancing.



Pilot Light

This amber colored light easily snaps into any opening in the Zephyr grille. The light will indicate when the fan is in operation and is ideal when fan is not interlocked with lights.

277 Volt Transformer

To meet local requirements, 277V transformers are available for all Zephyrs. The transformers are step-down and will step the voltage down to 120V. Transformers are shipped loose for field installation.

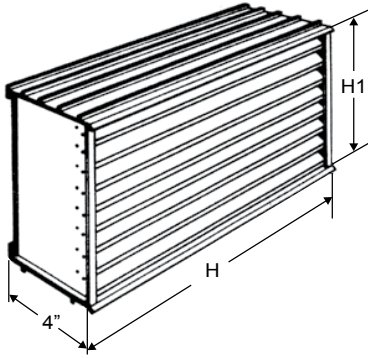
Motion Sensor

For applications where automated operation of the fan is required, a motion detector can be used to turn the fan on or off. The sensor features full scanning capabilities and can be placed anywhere within the room. The sensor also offers an adjustable shutoff feature with delays of up to 15 minutes.

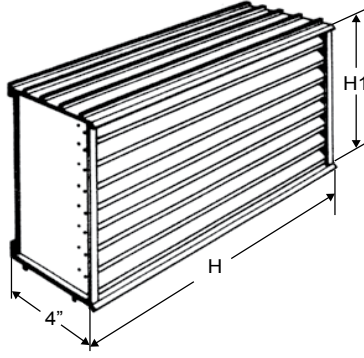
OPTIONS & ACCESSORIES

Brick Vents

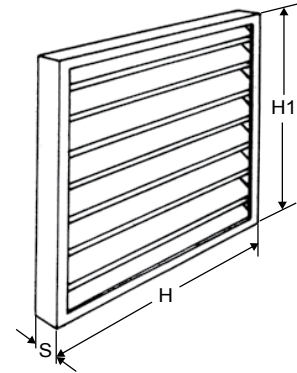
Sized to replace multiples of standard size brick or concrete block and made of extruded aluminum with insect screens, storm proof features and a protective finish, they are superior vents and ideal for installation in masonry walls.



BRICK VENT B68



BRICK VENT B100



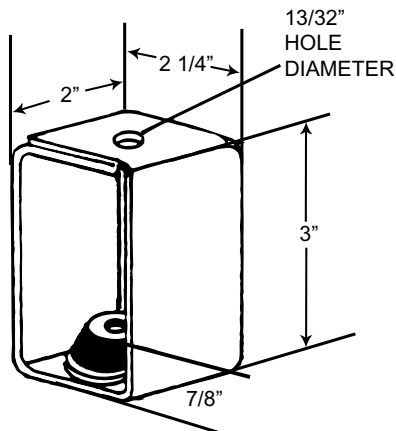
BRICK VENT B120 / B150

Brick Vent Model Recommendations

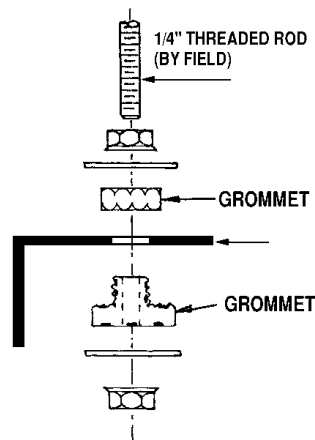
| Brick Vent Model | Recommended Zephyr Model | H | H1 | S |
|------------------|----------------------------|---------|--------|----|
| B120 | Z101, Z12, Z121, Z102, Z14 | 24" | 24" | 2" |
| B150 | Z15 | 30" | 30" | 2" |
| B68 | Z3, Z5, Z6, Z8, Z81 | 16 1/2" | 4 3/4" | 4" |
| B100 | Z100 | 16 1/2" | 7 3/4" | 4" |

Vibration Hanger

Hanger vibration eliminators feature rubber-in-shear type and are available for use with all units.



AVAILABLE WITH MODELS Z14 & Z15



AVAILABLE WITH MODELS Z3 - Z12

OPTIONS & ACCESSORIES

Square to Round Transition

Designed to make the installation of flex duct quick and easy, the square to round transition is available to accommodate the most common flex duct sizes.

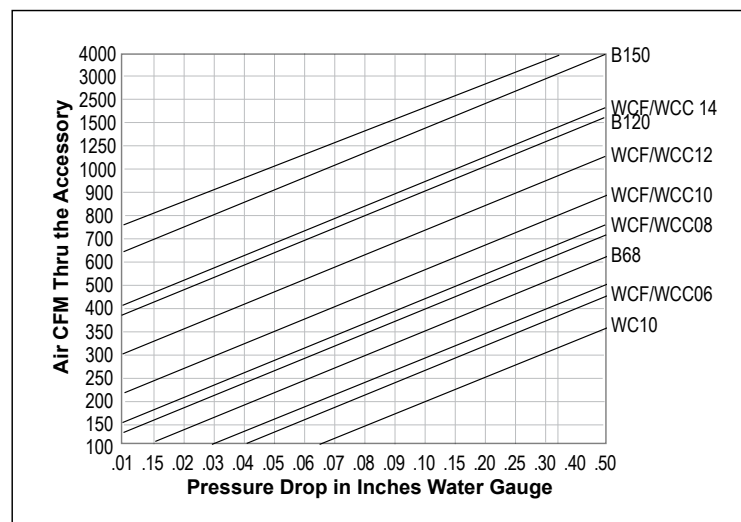
| Duct Transition | Part No. | Units | Round Dia. |
|------------------------|----------|--------------|------------|
| ZT, ZJ1, Z3, Z5, Z6 | 56337-0 | 3 1/4" x 10" | 6" |
| Z8, Z81, Z10 | 56340-0 | 6" x 8" | 8" |
| Z12, Z101, Z102, Z121* | 56385-0 | 6" x 8" | 8" |

Includes two pieces.

Damper

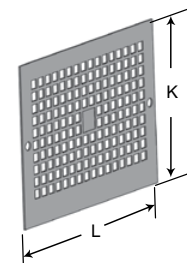
For areas where local codes require fire dampers for compliance with National Fire Protection Standard 90A, PennBarry offers a UL approved damper, UL555C, (CABS), file #R8039. These Ceiling Radiation dampers are rated for 3 hours and are activated at 165°F. Compact in design, the dampers add only 7" in height when mounted between the fan and the grille. Static pressure created by the damper is negligible. Z14 and Z15 make use of a parallel blade damper.

Static Pressure Drop Chart for Accessories



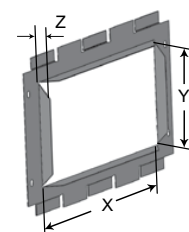
Optional Metal Grille

When the design calls for a more architecturally appealing grille, an optional galvanized or aluminum grille is available. It features an attractive perforated steel design with overall white finish. (Not available for Z1, ZL1 & ZL2).



Inline Conversion (TDA) Kit

Adapter panel with integral duct flange allows conversion from ceiling fan (RA/TD) to inline fan (TDA). Adapter can be installed to provide for straight through (Inline) or 90° (Right Angle Inline) application. Use of the fan in Right Angle configuration allows the fan to replace an elbow in the duct system. This eliminates the pressure loss of the elbow and simplifies the installation for the contractor.



OPTIONS & ACCESSORIES

| Model | Grille | | TDA Panel | | |
|--------------------|---------|---------|-----------|-----|---------|
| | K | L | X | Y | Z |
| Z3,5,6 | 11" | 13 3/4" | 10" | 6" | 1 5/8" |
| Z8,81 | 13 1/4" | 14 7/8" | 10" | 8" | 1 9/16" |
| Z10 | 15 1/2" | 19 3/8" | 14" | 10" | 2" |
| Z12, 101, 102, 121 | 15 1/2" | 25" | 20" | 10" | 2" |

Accessories Matrix

| Model | Roof Caps | | | Wall Cap | Brick Vent | Switches | | Radiation ‡ Damper | Metal Face Grille |
|--------|-----------|------------|--------------|----------|------------|------------------|------------|--------------------|-------------------|
| | Flat | Curb Mount | Slope | | | Speed Controller | Time Delay | | |
| Z3H | WCF06 | WCC06 | SL20+ | WC10 | B68 | LT30 | AM12 | DDA3 | MFG6 |
| Z5H | WCF06 | WCC06 | SL20+ | WC10 | B68 | LT30 | AM12 | DDA3 | MFG6 |
| Z6S/H | WCF06 | WCC06 | SL20+ | WC10 | B68 | LT30** | AM12 | DDA3 | MFG6 |
| Z8S/H | WCF08 | WCC08 | SL20+ | WC10 | B68 | LT30 | AM12 | DDA8 | MFG8 |
| Z81S | WCF08 | WCC08 | SL20+ | WC10 | B68 | LT30 | AM12 | DDA8 | MFG8 |
| Z10S/H | WCF08 | WCC08 | SL20+ | SL20+ | B100 | LT50 | AM12 | DDA10 | MFG10 |
| Z101S | WCF10 | WCC10 | WCF10† | *** | B120 | LT30 | AM12 | DDA12 | MFG12 |
| Z102S | WCF10 | WCC10 | WCF10† | *** | B120 | LT50 | AM12 | DDA12 | MFG12 |
| Z12S | WCF12 | WCC12 | WCF12† | *** | B120 | LT50 | AM12 | DDA12 | MFG12 |
| Z121S | WCF12 | WCC12 | WCF12† | *** | B120 | LT40 | AM12 | DDA12 | MFG12 |
| Z102H | WCF14 | WCC14 | WCF14† | *** | B120 | LT40 | AM12 | DDA12 | MFG12 |
| Z12H | WCF14 | WCC14 | WCF14† | *** | B120 | LT40 | AM12 | DDA12 | MFG12 |
| Z14 | WCF20 | WCC20 | Call Factory | *** | B120 | LT40 | AM12 | -- | MFG14* |
| Z15 | WCF20 | WCC20 | Call Factory | *** | B150 | LT35 | -- | -- | MFG15* |

+ Manufactured of galvanized steel. All other accessories manufactured of aluminum.

* Specify MFG (perforated metal) or MCG (aluminum core).

‡ Kit is field installed, shipped separate from fan.

** Z6H unit only.

*** Use brick vent.

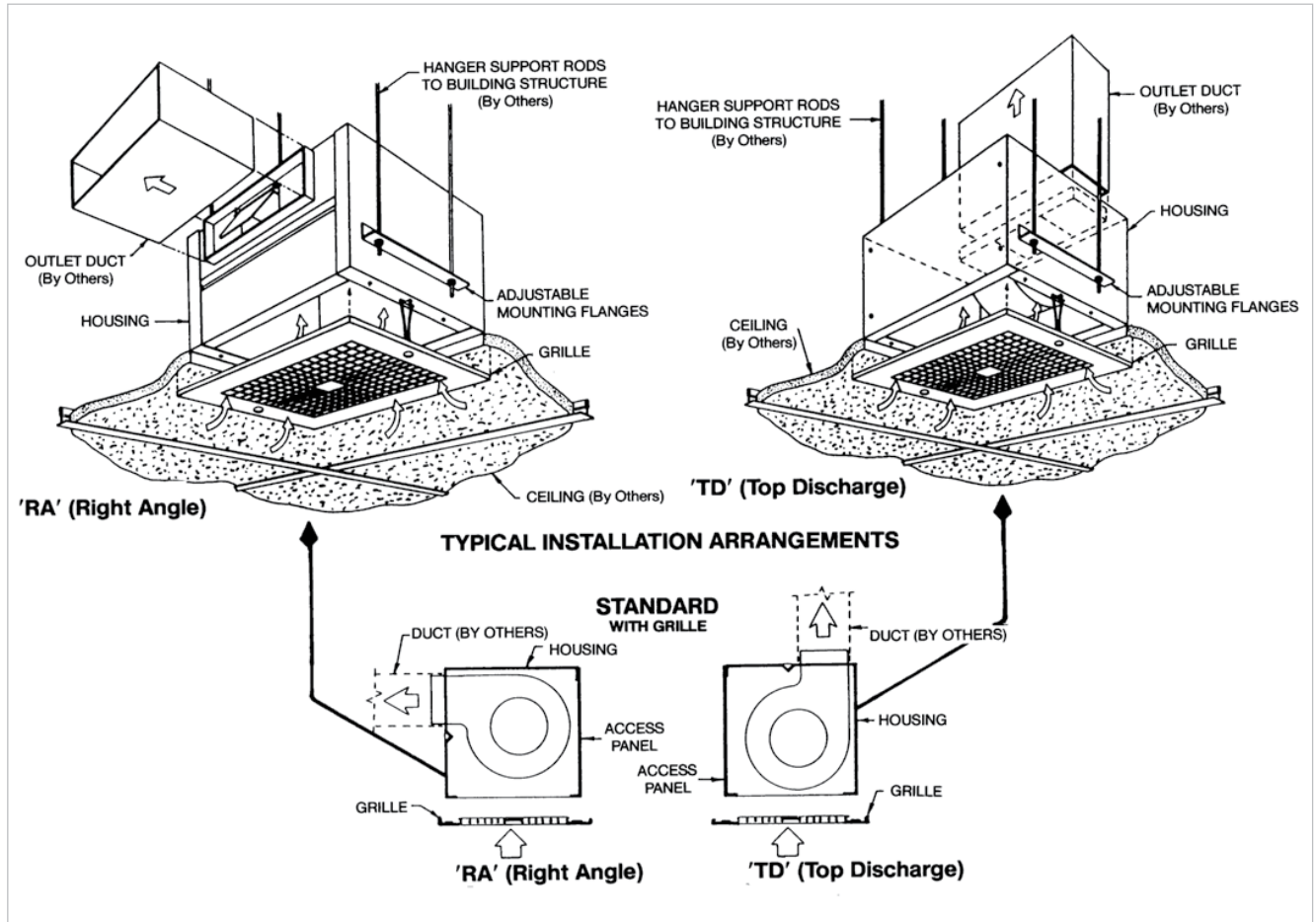
† 4" to 12" (maximum) pitch.

Introducing Gplus™ Motors on Zephyr

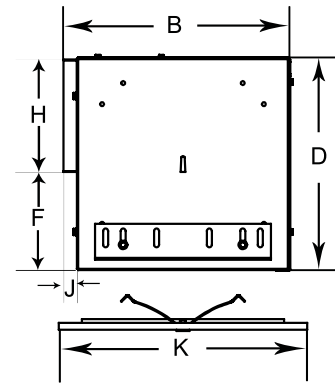
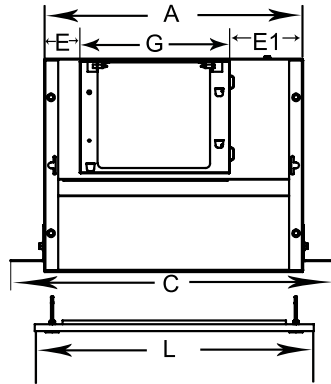
PennBarry's Zephyr family of fans is now available with Gplus™ advanced electronically commuted (EC) high efficiency motors. Fan speed can be controlled manually to prevent over and under ventilation. In addition, select Zephyr fan models are available with ENERGY STAR® certification. Products that earn the ENERGY STAR® certification prevent greenhouse emissions by meeting strict energy efficiency guidelines set by the U.S. Environmental Protection Agency and the U.S. Department of Energy.



INSTALLATION



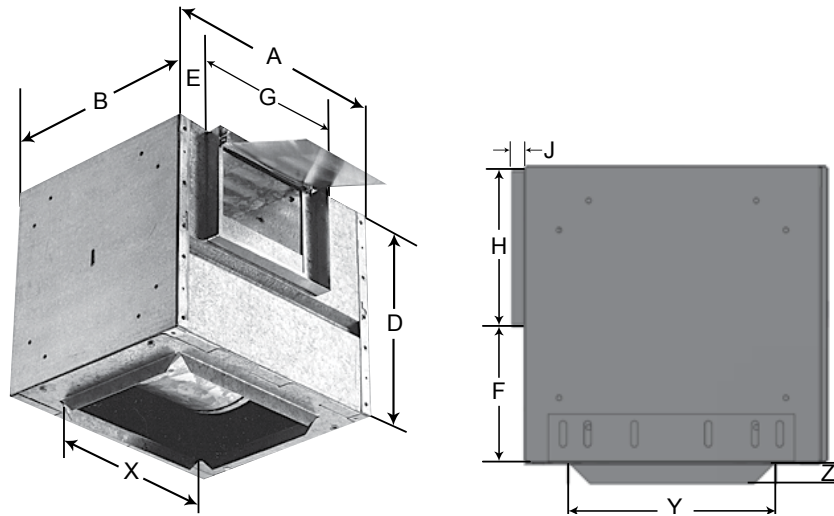
Z3 - Z12 | CEILING FANS



| Model | Housing | | | | | | | Outlet Duct | | | Grille | | Est. Shipping Wt. (Lbs.) |
|--------------------------------------|---------|---------|---------|---------|--------|--------|--------|-------------|--------|------|---------|---------|--------------------------|
| | A | B | C | D | E | E1 | F | G | H | J | K | L | |
| Z3, 5, 6 | 12 1/2" | 9 1/8" | 16" | 9 1/8" | 1 1/4" | 1 1/4" | 5 3/8" | 10" | 3 1/4" | 3/4" | 11" | 13 3/4" | 14 |
| Z8, 81, 8-GP, 8-GPE | 13 7/8" | 11 3/8" | 17 3/8" | 11 3/8" | 1 7/8" | 4" | 5 1/4" | 8" | 6" | 3/4" | 13 1/4" | 14 7/8" | 20 |
| Z10, 10-GP, 10-GPE | 18" | 14 1/8" | 21 1/2" | 14 1/8" | 3 5/8" | 6 3/8" | 8" | 8" | 6" | 3/4" | 15 1/2" | 19 3/8" | 28 |
| 12, 101, 102, 121, 12-GP, and 12-GPE | 24" | 14 1/8" | 27 1/2" | 14 1/8" | 1" | 1" | 8" | 22" | 6" | 3/4" | 15 1/2" | 25" | 52 |

- Some selections below one sone.
- AMCA Air & Sound certification.
- UL listing for UL705 and UL507.
- All motors with thermal overload protection.
- Quick access wiring.
- Variable speed controller for easy balancing (Lek-Trol™).
- Field convertible discharge orientation
- Field conversion from ceiling to inline installation.
- Popular models with multi-speed motor (wide performance range).
- ENERGY STAR® certification on Z8-GPE, Z10-GPE, Z12-GPE fans.

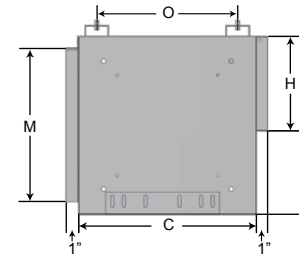
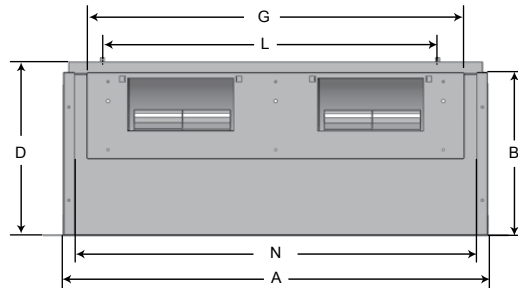
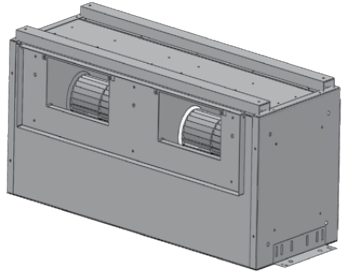
Z3 - Z12 (TDA) | CEILING FANS



| Model | Housing | | | | | | | Outlet Duct | | | TDA Panel | | | Est. Shipping Wt. (Lbs.) |
|---------------------|---------|---------|---------|---------|--------|--------|--------|-------------|--------|------|-----------|-----|---------|--------------------------|
| | A | B | C | D | E | E1 | F | G | H | J | X | Y | Z | |
| Z3, 5, 6 | 12 1/2" | 9 1/8" | 16" | 9 1/8" | 1 1/4" | 1 1/4" | 5 3/8" | 10" | 3 1/4" | 3/4" | 10" | 6" | 1 5/8" | 14 |
| Z8, 81, 8-GP, 8-GPE | 13 7/8" | 11 3/8" | 17 3/8" | 11 3/8" | 1 7/8" | 4" | 5 1/4" | 8" | 6" | 3/4" | 10" | 8" | 1 9/16" | 30 |
| Z10, 10-GP, 10-GPE | 18" | 14 1/8" | 21 1/2" | 14 1/8" | 3 5/8" | 6 3/8" | 8" | 8" | 6" | 3/4" | 14" | 10" | 2" | 30 |
| 12, 12-GP, 12-GPE | 24" | 14 1/8" | 27 1/2" | 14 1/8" | 1" | 1" | 8" | 22" | 6" | 3/4" | 20" | 10" | 2" | 44 |
| Z101 | 24" | 14 1/8" | 27 1/2" | 14 1/8" | 1" | 1" | 8" | 22" | 6" | 3/4" | 20" | 10" | 2" | 38 |
| Z102 | 24" | 14 1/8" | 27 1/2" | 14 1/8" | 1" | 1" | 8" | 22" | 6" | 3/4" | 20" | 10" | 2" | 45 |
| Z121 | 24" | 14 1/8" | 27 1/2" | 14 1/8" | 1" | 1" | 8" | 22" | 6" | 3/4" | 20" | 10" | 2" | 44 |

- Some selections below one sone.
- AMCA Air & Sound certification.
- UL listing for UL705 and UL507.
- All motors with thermal overload protection.
- Quick access wiring.
- Variable speed controller (Lek-Trol) for easy balancing.
- Field convertible discharge orientation.
- Field conversion from ceiling to inline installation.
- Popular models with multi-speed motor (wide performance range).
- ENERGY STAR® certification on Z8-GPE, Z10-GPE, Z12-GPE fans.

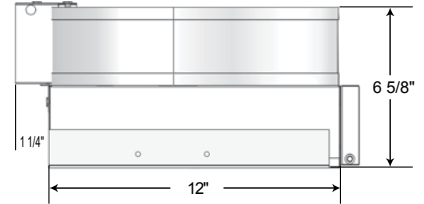
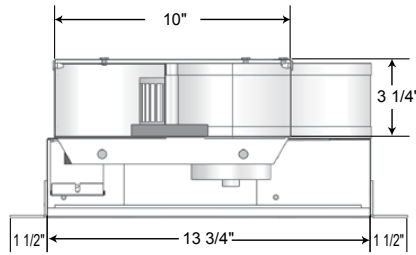
Z14 & Z15 | LARGE CAPACITY CEILING FANS



| Model | A | B | C | D | L | O | Outlet | | Inlet | | Est. Shipping Wt. (Lbs.) | Wheel Dia | Wheel Circ. |
|-------|---------|---------|---------|---------|---------|--------|---------|--------|---------|---------|--------------------------|-----------|-------------|
| | | | | | | | G | H | M | N | | | |
| Z14 | 38" | 14 1/2" | 14 1/2" | 15 1/2" | 30 1/2" | 7 5/8" | 33 3/4" | 7 3/4" | 12 1/2" | 36" | 84 | 8" | 2.09' |
| Z15 | 45 1/2" | 16 1/2" | 16 1/2" | 17 1/2" | 34 1/2" | 10" | 41 1/4" | 9 3/4" | 14 1/2" | 43 1/2" | 131 | 9" | 2.36' |

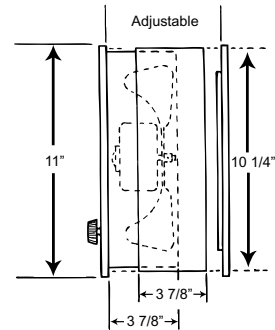
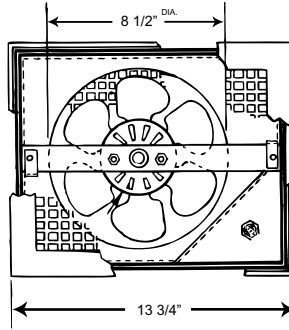
- Quiet design with insulated housing.
- Production of high volumes of air at low noise levels.
- Versatile discharge orientations.
- Easy installation in confined spaces.
- AMCA Air certification.
- UL listing for UL705; Z14 for UL507.

ZT & ZJ1 | LOW PROFILE CEILING FANS



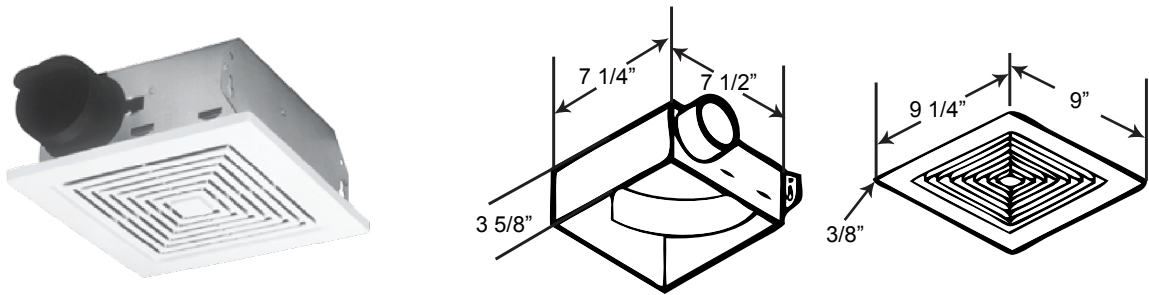
- Quiet Operation: Low sound level, non-overloading low power consumption design.
- Thermal overload protection integral with motor.
- Rust resistant, durable housing of galvanized steel.
- UL listing for UL705 and UL507.
- AMCA Air certification.
- Lek-Trol™: Variable speed controller for precise system balancing and energy conservation.
- Estimated Shipping weight = 19 lbs.

TRANSFAN | TRANSFER FAN



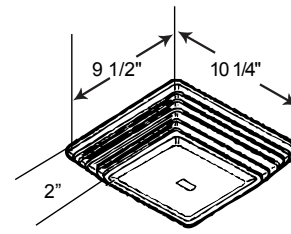
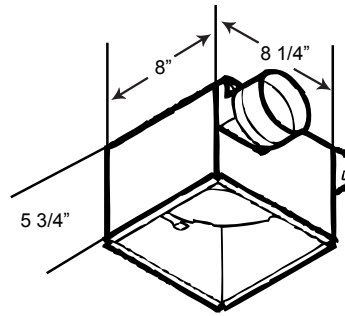
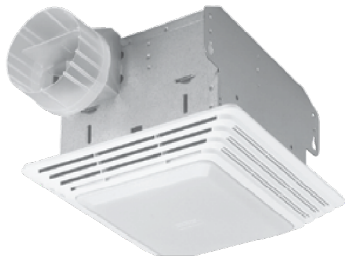
- Fits easily between wall studs or ceiling joists.
- Variable speed controller is built-in for individual comfort adjustment.
- Attractive face grilles diffuses air evenly.
- Moves up to 255 cubic feet of air every minute.
- Installs in walls 3 3/4" to 5" thick with an adjustable sleeve.
- Runs quietly, even at top speed.
- Fan operates at 490 RPM fan speed, 115 Volts single phase and 60/50 Hz.
- Reaches 255 CFM air capacity at 0" S.P.
- UL Listed for UL705 and UL507.
- Estimated shipping weight per unit = 9.5 lbs.

Z1 | LOW FLOW CEILING FAN



- 56 CFM at 0.0" SP.
- Quiet-designed durable blower wheels.
- Torsion spring grille mounting for installation without tools
- Compact housings which fit easily between wall studs.
- Double strength steel mounting flanges with keyhole lots for fast, sturdy installation.
- UL507 listing for use over bathtubs and showers when connected to a GFCI protected branch circuit.
- AMCA Air and Sound certification.
- Estimated shipping weight = 8.1 lbs.
- Duct diameter = 3 in

ZL1 & ZL2 | CEILING FANS WITH LIGHT



- 62 CFM at 0.0" SP – Model ZL1
- 97 CFM at 0.0" SP – Model ZL2
- 100 watt lighting (bulb not included)
- Totally enclosed low RPM motor with sealed bearings.
- Centrifugal blower wheel.
- White molded polymeric grille with unbreakable light lens.
- Plug-in receptacles for fan and light.
- Rugged steel housing with built-in mounting brackets.
- 4" Polymeric duct connector.
- Durable damper for backdraft elimination with out metallic clatter.
- UL507 listing for use over bathtubs and showers when connected to a GFCI protected branch circuit.
- AMCA Air and Sound certification.
- ZL1 estimated shipping weight = 8.2 lbs.
- ZL2 estimated shipping weight = 8.5 lbs.

ZEPHYR FAN SELECTIONS

Model

Z = Ceiling Fan , TF8 = Transfan transfer fan

Construction

| | | |
|---|---|---|
| <p>Application Flow (CFM) <enter value></p> <p>Application Static Pressure (inwg) <enter value></p> <p>Application E = Exhaust/ Relief</p> | <p>S = Supply/ Intake</p> <p>Discharge Configuration CR = Ceiling cavity right angle CT = Ceiling cavity top discharge</p> <p>Duct Transition 0 = None (6" flat oval)</p> | <p>Drive Type D = Direct</p> <p>Fan RPM <####></p> <p>Unit Size T, J1, L1, L2, 1, 2, 3, 5, 6, 8, 80, 81, 10, 12, 101, 102, 121, 14, 15</p> |
|---|---|---|

Motor

| | | |
|--|---|--|
| <p>Motor Enclosure 0 = None 1 = TE w/ Overload 2 = TE w/o Overload 3 = ODP w/ Overload 4 = ODP w/o Overload X = Special</p> | <p>Motor Tap 0 = None H = High speed S = Standard speed</p> <p>Voltage/Phase/Cycle B = 110V/1PH/50Hz* C = 115V/ 1PH/60Hz D = 120V/1PH/60Hz*</p> | <p>F = 208V/1PH/60Hz H = 220V/1PH/50Hz* K = 230V/1PH/60Hz M = 240V/1PH/50Hz* X = Special * Non-standard offering subject to longer lead times and price adjustment</p> |
|--|---|--|

Electrical Accessories

| | | |
|--|---|---|
| <p>Controllers 0 = None 1 = Lek-Trol SCR speed controller (mounted) 2 = Lek-Trol SCR speed controller (loose)</p> | <p>Switches/ Sensors 0 = None A = Airminder switch (time-delay) M = Motion sensor, ceiling mount S = Airminder + motion sensor ceiling mount</p> | <p>Transformer 0 = None B = 277V x 115V X = Special</p> <p>Service Switch and ITW 0 = None A = NEMA 1 - loose</p> |
|--|---|---|

Options and Accessories

| | | |
|---|---|--|
| <p>Brick Vents 0 = None B = Brick vent</p> <p>Construction Accessories 0 = None 5 = Sloped roof cap 6 = Flat roof cap 7 = Curb mounted roof cap 8 = Wall cap</p> <p>Curb 0 = None C = Curb</p> | <p>Damper 0 = None AN = Alum. parallel blade damper BN = Steel parallel blade damper RN = Ceiling radiation damper</p> <p>Grilles D = Perforated Aluminum Grille G = Galvanized Grille H = ZQ Lighted Grille</p> <p>Guard/Screen 0 = None C = Insect/bird screen</p> | <p>Pilot Light 0 = None P = Pilot light</p> <p>TDA conversion kit 0 = None M = Field mounted N = Factory installed</p> <p>Vibration Isolators 0 = None 2 = Rubber in shear hanger X = Special</p> |
|---|---|--|

PENNBARRY PRODUCT SOLUTIONS



Commercial

- Roof & wall exhaust centrifugal fans
- Ceiling, wall, & inline centrifugal fans
- Roof supply centrifugal fans
- Square & round centrifugal fans
- Wall mounted axial fans
- Hooded roof axial fans
- Upblast roof axial fans
- Gravity ventilators
- Roof curbs



Industrial

- Freestanding centrifugal fans
- Industrial & material handling fans
- Tubular centrifugal inline fans
- Mixed flow centrifugal fans
- Plug & plenum fans
- Wall mounted propeller fans
- Tube axial fans
- Vane axial fans
- Bifurcator fans
- Lab exhaust



Kitchen ventilation

- Make-up air units
- Exhaust fans



Energy recovery

- Outdoor units
- Indoor units

PennBarry is proud to be your preferred manufacturer of commercial and industrial fans and blowers. Learn how PennBarry can assist you in your next application by contacting your PennBarry Representative or visiting us on the web at www.pennbarry.com

PennBarry | www.pennbarry.com | pennbarrysales@pennbarry.com | Tel 972 212 4700 | Fax 972 212 4702

PennBarry reserves the right to make changes at any time, without notice, to models, construction, specifications, options and availability. This document illustrates the appearance of PennBarry products at the time of publication. View the latest updates on the PennBarry website.

© 2022 PennBarry. All rights reserved. ZEPHYR AUGUST 2022.



PENNBARRY™