

TCI

Tubular Centrifugal Inline Fan

TECHNICAL SPECIFICATIONS



PENNBARRY™

BULLETIN TCI18

TABLE OF CONTENTS

INTRODUCTION	3
CERTIFICATIONS & LISTINGS	3
DIMENSIONS	4
AIR PERFORMANCE DATA	5-8
SOUND POWER DATA	9-10

INTRODUCTION

TCI is a light industrial airfoil tubular centrifugal inline fan that delivers reliable air performance. TCI can be either ceiling hung or floor mounted, making it suitable for both horizontal and vertical applications.

Utilizing an all-aluminum airfoil non-overloading impeller, TCI provides a higher level of efficiency. Every part of the fan airstream is designed and manufactured to produce the highest results under rated operating conditions.

TCI offers industry leading air performance compared to similar products in the market.



Capacity:

- Flow capacity up to 7,500 cfm
- Static pressure up to 7.0" w.g.

CERTIFICATIONS & LISTINGS



AMCA Certification

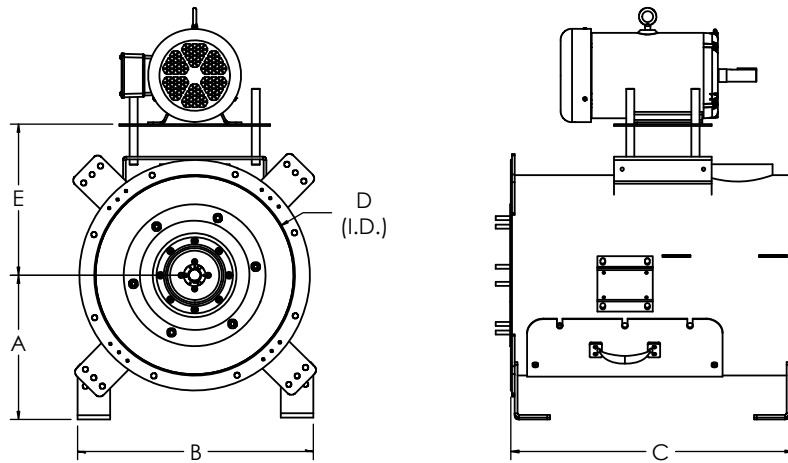
PennBarry certifies that the TCI belt drive models shown herein are licensed to bear the AMCA Seal. The ratings shown are based on tests and procedures performed in accordance with AMCA Publication 211 and AMCA Publication 311 and comply with the requirements of the AMCA Certified Ratings Program.



cULus Certification

TCI carries the UL label, UL705, (ZACT / ZACT7), file #E28413.

DIMENSIONS



Size	A	B	C	D	E
90	13.25	21.75	26	18.50	16
105	13.25	21.75	26	18.50	16
122	13.25	21.75	26	18.50	16
135	13.88	23.13	28	20.25	17.50
150	14.38	24.63	30	22.38	18.25
165	16.13	26.50	30	24.75	18.25
182	18.38	30.38	32	30.13	20.50

All dimensions are in inches.
 A= Fan centerline height with feet
 B= Overall width of feet
 C= Drum length
 D= Fan drum inside diameter
 E= Max height of motor plate

AIR PERFORMANCE DATA

TCI 090 | Air Performance

CFM	OV	0" SP		0.5" SP		1" SP		1.25" SP		1.5" SP		1.75" SP		2" SP		2.25" SP		2.5" SP		3" SP		3.5" SP	
		RPM	BHP	RPM	BHP	RPM	BHP	RPM	BHP	RPM	BHP	RPM	BHP	RPM	BHP	RPM	BHP	RPM	BHP	RPM	BHP	RPM	BHP
400	214	947	0.015	1524	0.079	1967	0.164	2163	0.212	2340	0.263	2503	0.316										
450	241	1065	0.021	1614	0.092	2007	0.179	2202	0.230	2378	0.283	2541	0.340	2693	0.398	2835	0.459						
500	268	1183	0.028	1710	0.106	2050	0.195	2241	0.248	2417	0.305	2580	0.364	2731	0.425	2873	0.489	3008	0.554				
550	295	1302	0.038	1813	0.123	2130	0.217	2282	0.269	2457	0.328	2619	0.390	2770	0.454	2912	0.520	3046	0.588	3297	0.731	3528	0.881
600	321	1420	0.049	1922	0.144	2217	0.241	2358	0.295	2497	0.352	2659	0.417	2809	0.483	2951	0.552	3085	0.623	3335	0.771	3566	0.926
650	348	1539	0.063	2020	0.165	2309	0.267	2440	0.323	2571	0.382	2699	0.445	2849	0.514	2991	0.586	3125	0.660	3374	0.813	3604	0.973
700	375	1657	0.078	2120	0.189	2405	0.295	2531	0.355	2652	0.416	2774	0.481	2890	0.547	3030	0.621	3164	0.698	3413	0.856	3643	1.022
750	402	1775	0.096	2222	0.215	2503	0.325	2626	0.389	2742	0.453	2855	0.520	2968	0.588	3075	0.659	3204	0.737	3453	0.902	3682	1.073
800	429	1894	0.117	2327	0.244	2612	0.366	2722	0.424	2835	0.493	2944	0.562	3049	0.633	3155	0.706	3256	0.781	3493	0.949	3721	1.125
850	455	2012	0.140	2433	0.276	2721	0.409	2823	0.466	2931	0.535	3035	0.608	3137	0.681	3236	0.757	3336	0.834	3533	0.997	3761	1.179
900	482	2130	0.166	2540	0.311	2819	0.451	2932	0.517	3029	0.580	3131	0.656	3229	0.733	3325	0.812	3418	0.891	3605	1.057	3801	1.235
950	509	2249	0.196	2649	0.349	2918	0.495	3042	0.572	3134	0.635	3228	0.707	3324	0.788	3416	0.869	3507	0.952	3685	1.122	3858	1.299
1000	536	2367	0.228	2759	0.391	3018	0.543	3140	0.623	3243	0.698	3328	0.764	3420	0.845	3511	0.930	3599	1.017	3768	1.191	3939	1.374
1050	562	2485	0.264	2870	0.437	3121	0.596	3238	0.678	3351	0.763	3437	0.834	3518	0.906	3607	0.994	3693	1.084	3859	1.266	4020	1.453
1100	589	2604	0.304	2981	0.487	3225	0.652	3338	0.737	3448	0.825	3547	0.910	3625	0.982	3705	1.062	3789	1.154	3950	1.343	4106	1.535
1150	616	2722	0.347	3094	0.541	3330	0.712	3439	0.800	3547	0.891	3650	0.984	3735	1.066	3808	1.141	3887	1.229	4045	1.425	4197	1.623
1200	643	2840	0.394	3206	0.598	3436	0.777	3543	0.868	3647	0.962	3748	1.058	3844	1.155	3918	1.234	3988	1.313	4141	1.509		
1250	670	2959	0.445	3309	0.654	3543	0.846	3648	0.941	3748	1.037	3847	1.136	3942	1.236	4028	1.332	4097	1.414				
1300	696	3077	0.501	3414	0.714	3652	0.920	3753	1.017	3851	1.117	3947	1.219	4041	1.323	4131	1.428						
1350	723	3195	0.561	3518	0.777	3761	0.999	3860	1.100	3955	1.202	4047	1.305	4140	1.413								
1400	750	3314	0.626	3624	0.846	3871	1.082	3967	1.187	4061	1.293	4151	1.399										
1450	777	3432	0.695	3729	0.917	3981	1.171	4075	1.279	4166	1.387												
1500	804	3550	0.769	3836	0.994	4092	1.265	4184	1.376														

Performance certified is for installationType A: Free inlet, Free outlet. Power rating (BHP) does not include transmission losses. Performance ratings do not include the effects of appurtenances (accessories).

TCI 105 | Air Performance

CFM	OV	0" SP		0.5" SP		1" SP		1.25" SP		1.5" SP		1.75" SP		2" SP		2.25" SP		2.5" SP		3" SP		4" SP	
		RPM	BHP	RPM	BHP	RPM	BHP	RPM	BHP	RPM	BHP	RPM	BHP	RPM	BHP	RPM	BHP	RPM	BHP	RPM	BHP	RPM	BHP
400	214	749	0.009	1366	0.072																		
475	254	890	0.014	1459	0.087	1837	0.172																
550	295	1030	0.022	1562	0.104	1913	0.198	2061	0.247	2238	0.306												
625	335	1171	0.033	1675	0.125	2004	0.226	2151	0.281	2283	0.337	2429	0.398	2581	0.466								
700	375	1312	0.046	1792	0.149	2100	0.258	2242	0.317	2375	0.378	2497	0.441	2609	0.502	2751	0.576	2886	0.652				
775	415	1452	0.063	1913	0.178	2205	0.294	2338	0.357	2467	0.422	2588	0.489	2702	0.558	2809	0.629	2913	0.696	3164	0.862		
850	455	1593	0.083	2039	0.211	2318	0.333	2441	0.401	2563	0.470	2681	0.541	2793	0.614	2899	0.688	3001	0.765	3192	0.916		
925	496	1733	0.106	2166	0.248	2432	0.378	2554	0.448	2665	0.522	2777	0.597	2887	0.674	2991	0.753	3091	0.833	3280	1.000	3665	1.356
1000	536	1874	0.134	2291	0.290	2550	0.430	2667	0.502	2777	0.578	2880	0.659	2983	0.740	3086	0.823	3184	0.907	3370	1.080	3701	1.434
1075	576	2014	0.167	2418	0.337	2671	0.487	2783	0.563	2890	0.642	2992	0.724	3087	0.810	3183	0.898	3280	0.986	3462	1.167	3795	1.548
1150	616	2155	0.204	2540	0.387	2796	0.550	2902	0.630	3005	0.712	3105	0.797	3200	0.886	3289	0.978	3377	1.071	3557	1.260	3886	1.657
1225	656	2295	0.247	2663	0.442	2923	0.619	3024	0.704	3124	0.790	3219	0.877	3313	0.969	3402	1.063	3486	1.161	3654	1.360	3978	1.772
1300	696	2436	0.295	2793	0.504	3049	0.693	3150	0.784	3244	0.875	3337	0.966	3427	1.060	3515	1.158	3599	1.257	3757	1.465	4072	1.893
1375	737	2576	0.349	2924	0.571	3174	0.775	3277	0.871	3368	0.966	3457	1.063	3544	1.160	3629	1.260	3712	1.362	3869	1.576	4168	2.022
1450	777	2717	0.410	3057	0.645	3300	0.863	3404	0.965	3495	1.066	3580	1.167	3664	1.269	3746	1.371	3826	1.476	3982	1.695		
1525	817	2857	0.476	3186	0.726	3427	0.959	3528	1.065	3622	1.172	3705	1.278	3785	1.385	3865	1.492	3943	1.600	4095	1.825		
1600	857	2998	0.551	3316	0.816	3549	1.058	3654	1.174	3748	1.287	3832	1.398	3910	1.509	3986	1.622	4062	1.733				
1675	897	3138	0.631	3447	0.913	3671	1.164	3781	1.291	3872	1.408	3960	1.526	4036	1.641	4110	1.758	4183	1.877				
1750	937	3279	0.720	3578	1.018	3796	1.279	3905	1.413	3998	1.538	4084	1.661	4164	1.784								
1825	978	3419	0.817	3710	1.131	3926	1.401	4027	1.541	4125	1.678												
1900	1018	3560	0.922	3838	1.248	4057	1.532	4149	1.677														
1975	1058	3700	1.035	3966	1.371	4189	1.673																
2050	1098	3841	1.158	4094	1.503																		

Performance certified is for installationType A: Free inlet, Free outlet. Power rating (BHP) does not include transmission losses. Performance ratings do not include the effects of appurtenances (accessories).

AIR PERFORMANCE DATA

TCI 122 | Air Performance

CFM	OV	0" SP		0.5" SP		1" SP		1.5" SP		2" SP		2.5" SP		3" SP		4" SP		5" SP		6" SP		7" SP	
		RPM	BHP	RPM	BHP	RPM	BHP	RPM	BHP	RPM	BHP	RPM	BHP	RPM	BHP	RPM	BHP	RPM	BHP	RPM	BHP	RPM	BHP
500	268	573	0.008	1114	0.082																		
625	335	717	0.016	1196	0.104	1540	0.210																
750	402	860	0.028	1294	0.129	1598	0.246	1883	0.382														
875	469	1004	0.045	1400	0.160	1685	0.290	1933	0.431	2175	0.591	2431	0.792										
1000	536	1147	0.068	1513	0.197	1781	0.338	2012	0.494	2228	0.658	2441	0.840	2663	1.057								
1125	603	1290	0.096	1632	0.240	1883	0.394	2104	0.562	2303	0.739	2494	0.924	2686	1.127	3075	1.612						
1250	670	1434	0.132	1754	0.290	1991	0.458	2202	0.637	2392	0.829	2569	1.025	2740	1.230	3081	1.684	3438	2.248				
1375	737	1577	0.175	1883	0.352	2104	0.532	2304	0.722	2489	0.925	2657	1.138	2818	1.353	3134	1.817	3437	2.327	3766	2.959		
1500	804	1720	0.228	2014	0.424	2221	0.613	2411	0.817	2588	1.030	2753	1.255	2906	1.489	3196	1.965	3488	2.489	3765	3.054	4068	3.743
1625	871	1864	0.290	2143	0.501	2341	0.704	2523	0.923	2691	1.147	2852	1.384	3002	1.629	3280	2.138	3542	2.663	3813	3.242	4067	3.854
1750	937	2007	0.362	2273	0.588	2462	0.805	2638	1.040	2800	1.277	2953	1.523	3100	1.781	3369	2.318	3622	2.870	3867	3.449	4116	4.075
1875	1004	2151	0.445	2405	0.687	2590	0.924	2756	1.166	2912	1.420	3058	1.676	3201	1.944	3465	2.505	3706	3.093	3939	3.685	4170	4.316
2000	1071	2294	0.540	2536	0.797	2721	1.058	2876	1.304	3026	1.574	3169	1.844	3303	2.120	3563	2.707	3800	3.319	4023	3.947		
2125	1138	2437	0.647	2666	0.918	2852	1.203	2998	1.457	3144	1.739	3281	2.026	3412	2.314	3663	2.920	3897	3.559	4113	4.220		
2250	1205	2581	0.769	2796	1.052	2980	1.354	3124	1.628	3264	1.919	3397	2.223	3524	2.525	3765	3.150	3995	3.813				
2375	1272	2724	0.904	2928	1.200	3110	1.520	3254	1.820	3385	2.113	3515	2.430	3638	2.752	3871	3.398	4095	4.080				
2500	1339	2867	1.054	3061	1.364	3241	1.702	3385	2.028	3507	2.322	3634	2.652	3754	2.990	3982	3.667	4197	4.366				
2625	1406	3011	1.221	3194	1.542	3373	1.899	3516	2.250	3635	2.559	3755	2.892	3872	3.241	4094	3.952						
2750	1473	3154	1.404	3328	1.737	3505	2.112	3644	2.477	3766	2.819	3877	3.149	3992	3.512								
2875	1540	3298	1.605	3465	1.953	3634	2.339	3774	2.724	3897	3.097	4003	3.432	4113	3.800								
3000	1607	3441	1.823	3602	2.186	3764	2.585	3904	2.987	4028	3.392	4132	3.742										
3125	1674	3584	2.059	3739	2.437	3895	2.850	4036	3.272	4156	3.689												
3250	1741	3728	2.318	3877	2.710	4026	3.132	4168	3.576														
3375	1808	3871	2.595	4015	3.002	4158	3.436																
3500	1875	4014	2.893	4154	3.317																		

Performance certified is for installationType A: Free inlet, Free outlet. Power rating (BHP) does not include transmission losses. Performance ratings do not include the effects of appurtenances (accessories).

TCI 135 | Air Performance

CFM	OV	0" SP		0.5" SP		1" SP		1.5" SP		2" SP		2.5" SP		3" SP		4" SP		5" SP		6" SP		7" SP	
		RPM	BHP	RPM	BHP	RPM	BHP	RPM	BHP	RPM	BHP	RPM	BHP	RPM	BHP	RPM	BHP	RPM	BHP	RPM	BHP	RPM	BHP
300	134	247	0.001																				
500	223	411	0.005	985	0.084																		
700	313	575	0.014	1048	0.109	1392	0.235																
900	402	740	0.029	1147	0.143	1453	0.284	1715	0.445	1964	0.627												
1100	491	904	0.053	1268	0.187	1527	0.342	1779	0.520	2000	0.715	2201	0.924	2406	1.151								
1300	580	1068	0.087	1398	0.243	1638	0.414	1845	0.604	2064	0.817	2258	1.042	2435	1.280	2779	1.796						
1500	670	1233	0.134	1539	0.309	1758	0.502	1954	0.708	2130	0.930	2323	1.174	2498	1.428	2811	1.969	3110	2.558				
1700	759	1397	0.195	1682	0.392	1885	0.607	2069	0.828	2238	1.065	2393	1.318	2563	1.590	2874	2.166	3150	2.779	3409	3.430	3676	4.131
1900	848	1561	0.272	1825	0.493	2019	0.726	2193	0.969	2351	1.221	2502	1.489	2642	1.770	2939	2.379	3213	3.026	3462	3.706	3692	4.418
2100	938	1726	0.368	1973	0.613	2161	0.859	2320	1.130	2473	1.399	2614	1.680	2751	1.977	3004	2.604	3278	3.291	3526	4.007	3755	4.754
2300	1027	1890	0.483	2117	0.746	2304	1.018	2455	1.309	2599	1.601	2736	1.901	2864	2.210	3108	2.867	3343	3.570	3590	4.323		
2500	1116	2054	0.620	2261	0.898	2447	1.200	2596	1.503	2729	1.825	2861	2.145	2985	2.472	3219	3.158	3436	3.885	3656	4.660		
2700	1205	2219	0.781	2408	1.074	2590	1.409	2738	1.725	2865	2.070	2988	2.416	3109	2.759	3332	3.474	3546	4.236				
2900	1295	2383	0.968	2557	1.277	2738	1.644	2881	1.976	3007	2.332	3122	2.708	3236	3.077	3454	3.826	3658	4.616				
3100	1384	2547	1.181	2707	1.505	2886	1.904	3024	2.260	3149	2.628	3260	3.020	3368	3.421	3579	4.213						
3300	1473	2712	1.426	2859	1.764	3028	2.179	3167	2.576	3292	2.958	3403	3.359	3504	3.791	3706	4.633						
3500	1563	2876	1.701	3015	2.057	3172	2.483	3314	2.922	3435	3.322	3545	3.741	3645	4.176								
3700	1652	3040	2.009	3173	2.385	3317	2.818	3463	3.304	3578	3.729	3688	4.156	3788	4.605								
3900	1741	3205	2.354	3331	2.747	3466	3.197	3608	3.705	3723	4.169	3831	4.611										
4100	1830	3369	2.734	3490	3.147	3615	3.608	3751	4.133	3871	4.646												
4300	1920	3533	3.153	3649	3.585	3765	4.057	3895	4.596														
4500	2009	3698	3.616	3808	4.062	3917	4.550																
4700	2098	3862	4.118																				

Performance certified is for installationType A: Free inlet, Free outlet. Power rating (BHP) does not include transmission losses. Performance ratings do not include the effects of appurtenances (accessories).

AIR PERFORMANCE DATA

TCI 150 | Air Performance

CFM	OV	0" SP		0.5" SP		1" SP		1.25" SP		1.5" SP		2" SP		2.5" SP		3" SP		3.5" SP		4" SP		4.5" SP	
		RPM	BHP	RPM	BHP	RPM	BHP	RPM	BHP	RPM	BHP	RPM	BHP	RPM	BHP	RPM	BHP	RPM	BHP	RPM	BHP	RPM	BHP
1000	368	618	0.028	982	0.155	1252	0.308																
1200	442	741	0.048	1068	0.192	1309	0.362	1417	0.453	1533	0.560												
1400	516	865	0.076	1164	0.243	1383	0.434	1484	0.531	1579	0.631	1770	0.867										
1600	589	989	0.113	1264	0.303	1465	0.505	1559	0.621	1651	0.736	1817	0.961	1980	1.226								
1800	663	1112	0.161	1370	0.375	1560	0.597	1643	0.711	1726	0.841	1888	1.097	2036	1.353	2180	1.645	2341	1.977				
2000	737	1236	0.221	1480	0.459	1656	0.698	1738	0.826	1813	0.951	1964	1.242	2106	1.521	2240	1.806	2369	2.116	2504	2.466	2654	2.853
2200	810	1359	0.294	1589	0.557	1755	0.815	1834	0.953	1908	1.092	2043	1.381	2182	1.706	2311	2.010	2433	2.320	2550	2.646	2668	3.014
2400	884	1483	0.382	1699	0.670	1860	0.957	1932	1.092	2004	1.244	2136	1.539	2257	1.875	2386	2.231	2505	2.564	2618	2.899	2726	3.244
2600	958	1606	0.486	1810	0.797	1968	1.106	2035	1.262	2102	1.408	2232	1.745	2349	2.065	2462	2.436	2581	2.823	2691	3.184	2796	3.542
2800	1031	1730	0.607	1923	0.943	2077	1.272	2142	1.443	2205	1.609	2328	1.945	2444	2.298	2551	2.659	2656	3.059	2766	3.473	2870	3.871
3000	1105	1854	0.747	2035	1.105	2186	1.462	2251	1.639	2310	1.822	2426	2.165	2540	2.555	2645	2.918	2744	3.317	2842	3.747	2945	4.188
3200	1179	1977	0.906	2147	1.286	2296	1.672	2360	1.858	2418	2.048	2528	2.427	2636	2.807	2741	3.231	2837	3.604	2930	4.040	3021	4.499
3400	1252	2101	1.087	2259	1.486	2406	1.901	2469	2.100	2528	2.298	2633	2.714	2735	3.096	2837	3.528	2934	3.968	3023	4.363	3111	4.834
3600	1326	2224	1.289	2373	1.711	2517	2.152	2579	2.367	2636	2.574	2741	3.007	2838	3.432	2933	3.841	3029	4.317	3119	4.770		
3800	1400	2348	1.517	2489	1.963	2629	2.427	2689	2.654	2746	2.878	2850	3.325	2943	3.791	3035	4.219	3126	4.678				
4000	1473	2471	1.768	2607	2.245	2742	2.729	2800	2.966	2856	3.206	2959	3.671	3051	4.155	3139	4.634						
4200	1547	2595	2.048	2726	2.557	2854	3.054	2912	3.306	2967	3.558	3068	4.049	3160	4.548								
4400	1621	2718	2.354	2845	2.897	2965	3.401	3024	3.671	3078	3.936	3177	4.454	3269	4.967								
4600	1694	2842	2.691	2964	3.266	3078	3.781	3138	4.072	3189	4.342	3288	4.895										
4800	1768	2966	3.058	3084	3.669	3191	4.190	3249	4.490														
5000	1842	3089	3.455	3204	4.104																		
5200	1915	3213	3.888																				

Performance certified is for installationType A: Free inlet, Free outlet. Power rating (BHP) does not include transmission losses. Performance ratings do not include the effects of appurtenances (accessories).

TCI 165 | Air Performance

CFM	OV	0" SP		0.5" SP		1" SP		1.5" SP		2" SP		2.5" SP		3" SP		3.5" SP		4" SP		4.5" SP		5" SP	
		RPM	BHP	RPM	BHP	RPM	BHP	RPM	BHP	RPM	BHP	RPM	BHP	RPM	BHP	RPM	BHP	RPM	BHP	RPM	BHP	RPM	BHP
1600	481	731	0.072	999	0.244	1196	0.437	1401	0.659														
1800	541	822	0.102	1071	0.294	1255	0.506	1422	0.728														
2000	602	914	0.140	1149	0.353	1320	0.579	1476	0.824	1628	1.080												
2200	662	1005	0.187	1228	0.421	1390	0.660	1535	0.925	1675	1.198	1818	1.490										
2400	722	1097	0.243	1308	0.498	1461	0.755	1599	1.035	1730	1.329	1856	1.625	1991	1.953								
2600	782	1188	0.308	1388	0.585	1536	0.863	1670	1.154	1791	1.468	1910	1.786	2026	2.111	2151	2.467						
2800	842	1279	0.385	1469	0.684	1613	0.980	1740	1.286	1857	1.616	1970	1.957	2080	2.302	2186	2.651	2301	3.032	2428	3.449		
3000	902	1371	0.474	1551	0.794	1692	1.111	1811	1.434	1927	1.773	2031	2.137	2137	2.502	2240	2.873	2338	3.244	2443	3.649	2563	4.093
3200	962	1462	0.574	1634	0.917	1772	1.255	1887	1.597	1997	1.948	2100	2.324	2198	2.713	2296	3.104	2392	3.498	2485	3.898	2577	4.311
3400	1023	1553	0.688	1717	1.053	1852	1.412	1964	1.773	2068	2.142	2171	2.527	2264	2.936	2357	3.348	2448	3.764	2539	4.184	2627	4.609
3600	1083	1645	0.818	1800	1.204	1932	1.584	2043	1.966	2142	2.352	2241	2.750	2334	3.168	2420	3.605	2509	4.040	2595	4.484	2681	4.928
3800	1143	1736	0.962	1884	1.371	2013	1.773	2123	2.175	2219	2.579	2312	2.993	2405	3.420	2490	3.870	2571	4.335	2656	4.794		
4000	1203	1828	1.123	1968	1.553	2094	1.976	2203	2.399	2297	2.824	2385	3.252	2475	3.696	2560	4.149	2640	4.632				
4200	1263	1919	1.299	2052	1.752	2176	2.197	2283	2.640	2376	3.084	2462	3.532	2546	3.991	2631	4.460	2710	4.945				
4400	1323	2010	1.493	2137	1.969	2258	2.433	2363	2.900	2456	3.365	2540	3.833	2620	4.307	2701	4.789						
4600	1384	2102	1.707	2223	2.204	2341	2.690	2443	3.176	2536	3.663	2619	4.153	2697	4.644								
4800	1444	2193	1.938	2310	2.457	2425	2.968	2524	3.474	2616	3.981	2698	4.489										
5000	1504	2284	2.190	2398	2.732	2508	3.264	2606	3.794	2696	4.320	2778	4.849										
5200	1564	2376	2.465	2485	3.024	2592	3.585	2688	4.132	2776	4.679												
5400	1624	2467	2.760	2573	3.340	2675	3.922	2770	4.490														
5600	1684	2559	3.080	2661	3.678	2759	4.285																
5800	1744	2650	3.420	2749	4.039																		
6000	1805	2741	3.785																				

Performance certified is for installationType A: Free inlet, Free outlet. Power rating (BHP) does not include transmission losses. Performance ratings do not include the effects of appurtenances (accessories).

AIR PERFORMANCE DATA

TCI 182 | Air Performance

CFM	OV	0" SP		0.5" SP		1" SP		1.5" SP		2" SP		2.5" SP		3" SP		3.5" SP		4" SP		4.5" SP		5" SP	
		RPM	BHP	RPM	BHP	RPM	BHP	RPM	BHP	RPM	BHP	RPM	BHP	RPM	BHP	RPM	BHP	RPM	BHP	RPM	BHP	RPM	BHP
2000	406	641	0.072	882	0.280	1067	0.511	1238	0.768	1415	1.077												
2250	457	721	0.103	942	0.329	1115	0.581	1275	0.864	1424	1.164	1583	1.514										
2500	507	801	0.141	1007	0.390	1169	0.664	1316	0.959	1456	1.287	1591	1.622	1734	2.006								
2750	558	881	0.188	1075	0.461	1228	0.759	1365	1.066	1497	1.404	1621	1.765	1744	2.138	1874	2.559						
3000	609	962	0.245	1144	0.540	1288	0.857	1418	1.185	1540	1.540	1661	1.908	1774	2.309	1886	2.708	2005	3.172	2123	3.638		
3250	659	1042	0.311	1213	0.627	1349	0.961	1475	1.324	1592	1.685	1703	2.080	1814	2.484	1918	2.922	2021	3.339	2128	3.840	2240	4.342
3500	710	1122	0.389	1284	0.727	1415	1.085	1536	1.474	1645	1.850	1751	2.255	1855	2.686	1957	3.119	2054	3.600	2148	4.018	2246	4.556
3750	761	1202	0.478	1355	0.839	1482	1.222	1596	1.620	1702	2.034	1805	2.449	1901	2.896	1998	3.355	2094	3.821	2184	4.345	2273	4.792
4000	812	1282	0.580	1427	0.963	1550	1.370	1657	1.779	1763	2.235	1858	2.663	1954	3.114	2043	3.597	2135	4.093	2225	4.583		
4250	862	1362	0.695	1500	1.102	1619	1.529	1723	1.964	1823	2.427	1917	2.900	2007	3.361	2095	3.848	2179	4.363	2265	4.888		
4500	913	1442	0.825	1574	1.255	1689	1.704	1790	2.166	1884	2.634	1978	3.151	2062	3.628	2149	4.130	2231	4.653				
4750	964	1522	0.970	1648	1.421	1759	1.893	1858	2.384	1948	2.866	2038	3.392	2123	3.926	2202	4.431	2284	4.961				
5000	1015	1603	1.134	1722	1.602	1830	2.100	1926	2.610	2014	3.119	2099	3.650	2184	4.224	2262	4.768						
5250	1065	1683	1.312	1797	1.801	1901	2.322	1996	2.857	2082	3.398	2162	3.931	2244	4.516								
5500	1116	1763	1.508	1872	2.017	1973	2.564	2065	3.117	2150	3.691	2228	4.243	2305	4.827								
5750	1167	1843	1.723	1948	2.253	2046	2.827	2136	3.402	2218	3.991	2295	4.578										
6000	1217	1923	1.957	2024	2.508	2118	3.104	2206	3.700	2287	4.313	2363	4.937										
6250	1268	2003	2.212	2100	2.782	2192	3.405	2277	4.022	2357	4.659												
6500	1319	2083	2.488	2177	3.080	2265	3.719	2349	4.368														
6750	1370	2163	2.786	2254	3.400	2340	4.063	2421	4.735														
7000	1420	2244	3.110	2331	3.743	2414	4.423																
7250	1471	2324	3.455	2408	4.109																		
7500	1522	2404	3.824																				

Performance certified is for installation Type A: Free inlet, Free outlet. Power rating (BHP) does not include transmission losses. Performance ratings do not include the effects of appurtenances (accessories).

SOUND POWER DATA

TCI 090

RPM	Nominal Ps	SOUND POWER BY OCTAVE BANDS dB Lwi								LwiA
		63	125	250	500	1000	2000	4000	8000	
1800	0.00	76	81	75	69	69	73	69	52	77
	0.25	76	81	75	68	68	71	67	51	76
	0.50	75	80	75	66	68	68	61	51	74
2625	0.00	90	86	80	77	75	71	75	66	82
	0.25	90	86	80	76	75	72	75	65	81
	0.50	91	87	79	75	74	72	75	65	81
3450	1.00	91	87	79	75	73	72	75	63	81
	0.00	80	84	82	82	82	74	76	74	86
	0.50	79	87	82	82	81	74	75	74	85
4050	1.00	79	87	82	82	80	73	75	73	84
	1.50	79	87	82	81	79	73	75	73	84
	0.00	88	86	85	86	85	78	78	78	89
4050	0.50	87	85	86	85	85	78	77	77	89
	1.00	87	86	83	86	84	77	77	77	88
	1.50	88	86	83	85	84	77	77	76	88
	2.00	88	86	83	85	83	77	76	76	87

TCI 105

RPM	Nominal Ps	SOUND POWER BY OCTAVE BANDS dB Lwi								LwiA
		63	125	250	500	1000	2000	4000	8000	
1800	0.00	77	81	74	70	70	67	65	53	75
	0.25	77	81	75	69	69	65	60	52	74
	0.50	76	80	74	68	68	64	59	52	73
2625	0.00	88	86	81	76	75	70	71	67	81
	0.25	89	86	80	76	75	70	71	66	80
	0.50	89	86	80	76	74	70	70	66	80
3450	1.00	89	87	81	75	73	69	68	65	79
	0.00	78	85	83	83	81	75	76	74	85
	0.50	78	85	83	82	80	74	75	74	85
4050	1.00	79	84	83	82	79	74	75	73	84
	1.50	79	83	82	82	79	73	74	72	84
	0.00	87	86	83	86	85	79	79	79	89
4050	0.50	86	86	82	86	84	78	79	78	89
	1.00	86	86	82	86	84	78	78	78	89
	1.50	86	86	83	86	83	77	78	77	88
	2.00	87	86	83	85	83	77	77	77	88

TCI 122

RPM	Nominal Ps	SOUND POWER BY OCTAVE BANDS dB Lwi								LwiA
		63	125	250	500	1000	2000	4000	8000	
1400	0.00	80	77	73	70	68	63	61	68	74
	0.25	80	79	73	69	67	62	61	67	73
	0.50	80	77	73	68	67	62	61	68	73
2075	0.00	83	78	77	75	72	74	76	70	81
	0.25	83	78	76	74	72	73	74	69	80
	0.50	83	78	76	74	72	73	73	69	80
2750	1.00	83	77	75	73	71	73	71	68	79
	0.00	85	81	79	82	78	75	78	75	85
	0.50	85	80	79	81	77	75	78	75	84
2900	1.00	85	80	78	82	77	75	77	74	84
	1.50	84	79	78	81	76	75	76	73	83
	2.00	85	79	77	81	76	74	76	72	83
2900	0.00	84	83	81	84	79	76	79	76	86
	0.50	85	83	80	83	78	76	78	76	85
	1.00	85	83	79	83	78	76	78	75	85
	1.50	84	83	79	83	77	75	77	75	84
	2.00	84	83	78	82	77	75	76	74	84

TCI 135

RPM	Nominal Ps	SOUND POWER BY OCTAVE BANDS dB Lwi								LwiA
		63	125	250	500	1000	2000	4000	8000	
950	0.00	75	74	67	67	63	58	58	63	69
	0.25	78	75	66	64	61	57	58	63	68
	0.50	75	74	65	62	61	57	58	64	68
1450	0.00	79	80	75	71	67	71	73	66	78
	0.50	78	81	73	69	66	69	66	65	75
	1.00	79	76	71	67	65	66	62	65	73
2200	0.00	86	84	81	80	74	72	77	74	83
	0.50	84	82	80	78	73	73	77	73	83
	1.00	83	84	80	77	72	72	75	71	81
2800	1.50	82	85	80	76	71	70	74	70	80
	2.00	81	85	79	74	70	70	72	69	79
	0.00	85	88	83	88	80	77	81	81	89
2800	0.50	84	88	82	87	79	76	80	79	88
	1.00	82	88	81	86	78	76	79	78	87
	1.50	81	88	81	86	77	75	78	77	86
2971	2.00	80	89	81	85	77	75	77	76	85
	3.00	80	91	79	85	76	74	76	74	85
	0.00	87	90	84	89	82	78	83	83	90
2971	0.50	86	89	84	88	81	77	82	81	89
	1.00	85	89	84	87	80	77	80	80	88
	1.50	85	88	83	87	79	76	80	79	88
	2.00	85	89	82	87	78	76	79	78	87
	3.00	84	89	81	86	77	75	77	76	86

The sound power level ratings shown are in decibels referred to 10⁻¹² watts calculated per AMCA International Standard 301. The A-weighted sound ratings shown have been calculated per AMCA International Standard 301. Values shown are for inlet LWi and inlet LWiA sound power levels for installation Type A: Free inlet, Free outlet.

SOUND POWER DATA

TCI 150

RPM	Nominal Ps	SOUND POWER BY OCTAVE BANDS dB Lwi								LwiA
		63	125	250	500	1000	2000	4000	8000	
725	0.00	72	68	63	61	58	53	53	60	65
	0.13	72	68	63	61	57	53	53	60	64
	0.25	72	68	61	60	57	53	53	60	64
	0.30	72	67	61	60	56	53	53	60	64
	0.32	72	68	61	57	55	53	53	60	63
1950	0.00	86	80	84	80	75	74	74	70	83
	1.00	86	79	81	79	73	72	71	68	81
	2.00	86	78	79	77	72	71	70	67	80
	2.25	86	78	79	77	72	71	70	67	79
2666	2.33	87	79	79	77	72	71	69	67	79
	0.00	86	87	87	90	83	79	81	78	90
	1.00	85	86	85	89	81	78	79	76	89
	2.00	85	86	84	87	80	77	78	75	87
	3.00	84	85	83	86	79	77	76	74	87
4.00	85	85	82	86	79	76	75	74	86	
4.11	85	85	82	86	79	76	75	74	86	

TCI 165

RPM	Nominal Ps	SOUND POWER BY OCTAVE BANDS dB Lwi								LwiA
		63	125	250	500	1000	2000	4000	8000	
750	0.00	79	74	66	66	62	56	55	61	68
	0.25	80	74	65	64	58	55	55	61	67
1350	0.00	78	74	78	74	69	72	72	65	78
	0.25	78	75	76	72	69	72	71	65	78
	0.50	78	74	74	72	69	71	68	65	76
	1.00	78	72	77	70	67	69	64	65	75
1950	0.00	88	78	84	82	76	76	77	72	85
	0.50	87	78	83	80	74	75	76	71	83
	1.00	86	78	83	79	73	74	75	70	82
	1.50	87	77	83	78	72	73	74	69	82
	2.00	87	77	82	77	71	73	73	69	81
2431	2.50	87	77	81	76	71	72	72	69	80
	0.00	83	83	84	88	83	80	82	79	90
	0.50	83	82	84	88	81	79	81	78	89
	1.00	83	82	83	87	80	78	80	77	88
	1.50	83	83	83	87	79	78	79	76	87
	2.00	83	82	83	87	78	77	78	76	87
	2.50	83	82	82	86	77	77	77	75	86
	3.00	83	81	82	86	77	76	76	75	86
3.50	84	82	81	86	76	76	76	75	85	
4.00	84	81	81	85	76	76	76	75	85	

TCI 182

RPM	Nominal Ps	SOUND POWER BY OCTAVE BANDS dB Lwi								LwiA
		63	125	250	500	1000	2000	4000	8000	
1667	0.00	79	82	86	83	79	81	82	76	88
	0.50	78	81	86	82	78	80	81	73	87
	1.00	77	81	85	82	78	79	80	71	86
	1.50	76	81	85	81	78	78	78	69	85
	2.00	76	80	85	81	78	77	77	69	85
	2.50	75	80	85	80	78	77	76	69	84
1750	0.00	82	84	86	84	80	80	82	78	88
	0.50	81	84	85	83	79	81	82	75	88
	1.00	80	83	85	82	79	79	81	73	87
	1.50	80	83	85	82	79	79	80	71	86
	2.00	79	83	85	81	79	78	79	71	86
2.50	79	82	83	81	79	78	78	71	85	
1850	0.00	85	83	88	85	80	81	83	80	89
	0.50	85	83	87	84	79	80	82	78	88
	1.00	84	83	87	83	79	79	81	75	88
	1.50	83	83	87	83	79	79	81	73	87
	2.00	83	83	86	82	79	79	80	72	87
2.50	82	83	86	82	79	78	79	72	86	
2300	0.00	85	91	91	92	85	83	85	84	93
	0.50	85	89	91	91	84	83	84	84	93
	1.00	85	89	90	91	84	83	84	83	92
	1.50	85	88	90	90	84	82	83	82	92
	2.00	85	88	90	90	83	82	83	81	91
	2.50	84	88	89	90	83	82	83	81	91
3.00	84	88	89	89	83	82	83	80	91	

The sound power level ratings shown are in decibels referred to 10^{-12} watts calculated per AMCA International Standard 301. The A-weighted sound ratings shown have been calculated per AMCA International Standard 301. Values shown are for inlet LWi and inlet LWiA sound power levels for installation Type A: Free inlet, Free outlet.

PENNBARRY PRODUCT SOLUTIONS



Commercial

- Roof & wall exhaust centrifugal fans
- Ceiling, wall, & inline centrifugal fans
- Roof supply centrifugal fans
- Square & round centrifugal fans
- Wall mounted axial fans
- Hooded roof axial fans
- Upblast roof axial fans
- Gravity ventilators
- Roof curbs



Industrial

- Freestanding centrifugal fans
- Industrial & material handling fans
- Tubular centrifugal inline fans
- Mixed flow centrifugal fans
- Plug & plenum fans
- Wall mounted propeller fans
- Tube axial fans
- Vane axial fans
- Bifurcator Fans
- Lab exhaust



Kitchen ventilation

- Make-up air units
- Exhaust fans



Energy recovery

- Outdoor units
- Indoor units

PennBarry is proud to be your preferred manufacturer of commercial and industrial fans and blowers. Learn how PennBarry can assist you in your next application by contacting your PennBarry Representative or visiting us on the web at www.pennbarry.com

PennBarry | www.pennbarry.com | pennbarrysales@pennbarry.com | Tel 972 212 4700 | Fax 972 212 4702

PennBarry reserves the right to make changes at any time, without notice, to models, construction, specifications, options and availability. This document illustrates the appearance of PennBarry products at the time of publication. View the latest updates on the PennBarry website.

© 2018 PennBarry. All rights reserved. TCI SEPTEMBER 2018.



PENNBARRY™