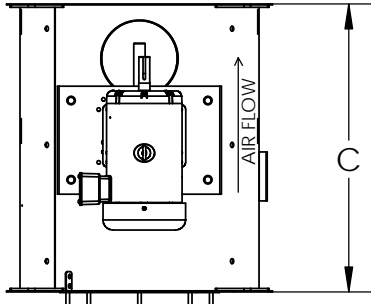
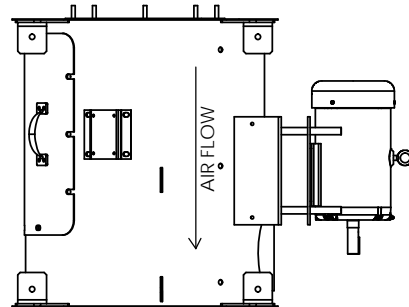


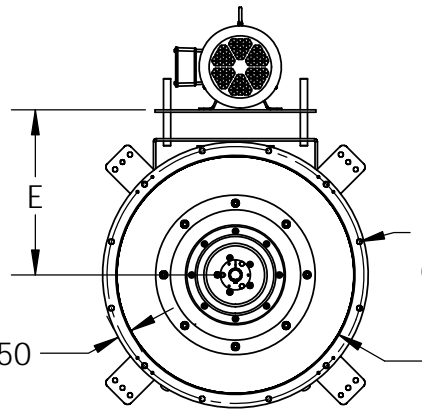
## TCI - ARRANGEMENT VERTICAL DISCHARGE



**VERTICAL UPBLAST**



**VERTICAL DOWNBLAST**



**INLET VIEW**

J (QTY.)  
 $\varnothing 0.56$ " HOLE  
 ON F (B.C.D.)

D  
 (I.D.)

**Standard Construction:**

1. Belt Tunnel
2. Arrangement 9 for Horizontal and Vertical Outlet
3. Bolted Mounting Feet
4. Aluminum Wheel with Airfoil Blades
5. Extended Lube Lines
6. Oversized Access Door
7. Flanged Inlet & Outlet
8. Bearings - L10 Life of 100K Hours
9. Adjustable Motor Base
10. Adjustable or Constant Drive Kit
11. 1045 TG&P Shaft

**Accessories:**

1. Motor Cover
2. Disconnect Switch
3. Shaft Seal
4. Vibration Isolators
5. AMCA B Spark Resistant Construction
6. Companion Flange (s)
7. Mounting Rails for Vertical Position
8. Copper Lube Lines
9. Stainless Steel Shaft

**DIMENSIONAL DATA**

Size	C	D	E	F	J	Max Mtr. Frame Size	Less Motor/ Drive Weight
90	26.00	18.50	16.00	20.00	8.00	184T	160
105	26.00	18.50	16.00	20.00	8.00	184T	160
122	26.00	18.50	16.00	20.00	8.00	184T	160
135	28.00	20.25	17.50	22.00	8.00	215T	200
150	30.00	22.31	18.25	24.00	8.00	215T	225
165	30.00	24.69	18.25	26.75	12.00	215T	235
182	32.00	30.06	20.50	32.13	12.00	215T	275