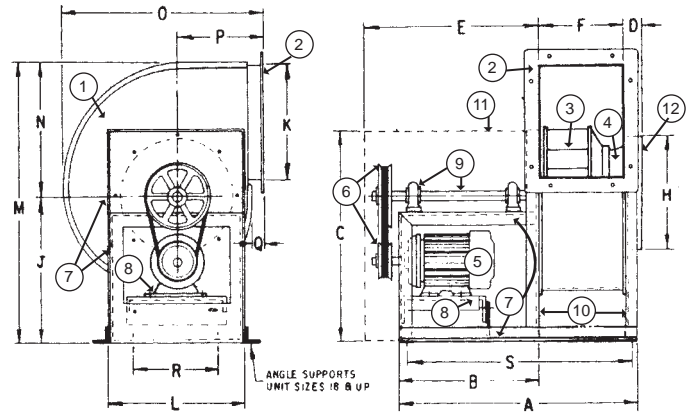


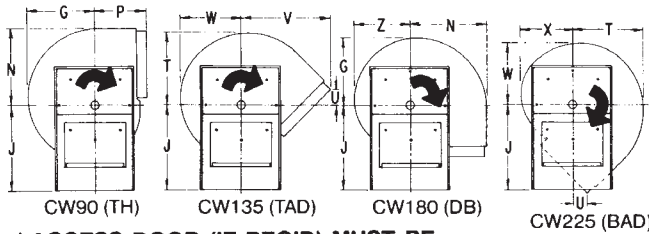
Dynamo Centrifugal Fan General Purpose Utility Fan

Legend

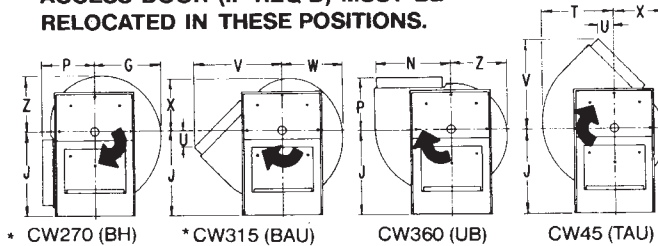
1. Blower Scroll Housing
2. Outlet Duct Flange (optional)
3. Centrifugal Wheel (Aluminum Non-overloading)
4. Spun Inlet
5. Ball Bearing Motor
6. Belt & Pulleys
7. Drive Frame Support Assembly
8. Adjustable Motor Mounting Plate
9. Fan Shaft & Bearings
10. Support Legs With Mounting Holes
11. Belt & Bearing Enclosure (optional)
12. Round Inlet Ring



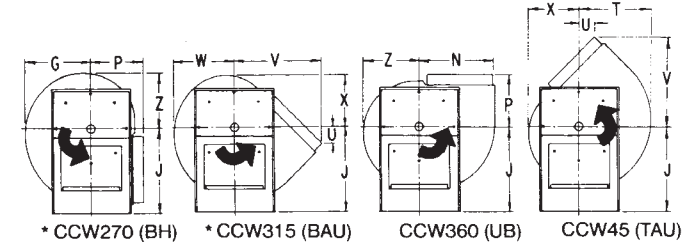
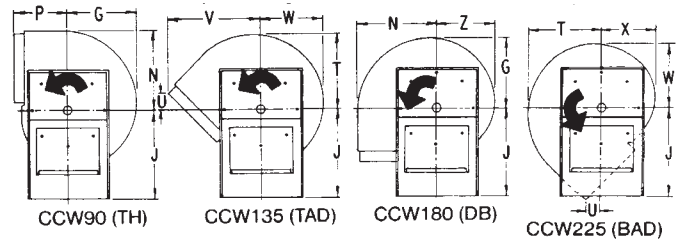
Discharge Positions Clockwise Rotation - CW



*** ACCESS DOOR (IF REQ'D) MUST BE RELOCATED IN THESE POSITIONS.**



Discharge Positions Counterclockwise Rotation - CCW



Dimensional Data

Unit Size	Shaft Dia.	A	B	C	D	E	F	H	J	K	L	M	N	O	P	Q	R	S	Mtg. Hole Dia.	U	V	W	X	T	G	Z
6, 7, 8, 10	3/4	24	14 1/2	22 1/2	1 1/4	18 1/2	8 1/4	11 1/4	15 1/2	11 1/4	14	28 11/16	13 3/16	20	8 11/16	1 1/2	10	22 3/4	1/2	2 7/8	15 1/8	10 3/8	8 9/16	12 1/4	11 5/16	9 7/16
12	3/4	26 1/8	14 1/2	25 1/4	1 1/4	18 1/2	10 3/8	13	17	12	16	31 1/2	14 1/2	21 13/16	9 3/8	1 1/2	13	24 7/8	1/2	3 1/4	16 9/16	11 3/8	9 3/8	13 7/16	12 7/16	10 3/8
13	1	26 1/4	14 1/2	26 1/2	1 1/4	18 1/2	10 1/2	14	18	14 3/8	17 1/4	34 1/16	16 1/16	24 1/16	10 5/16	1 1/2	14	25	1/2	3 3/4	18 5/16	12 5/8	10 5/16	14 7/8	13 3/4	11 1/2
15	1	30 3/8	16	29 5/8	1 1/4	20 1/2	11 5/8	15 3/4	20	15 3/4	19 1/4	37 7/8	17 7/8	26 11/16	11 5/16	1 1/2	15	29 1/8	1/2	4 7/16	20 3/8	14 1/16	11 1/2	16 5/8	15 3/8	12 13/16
16	1 3/16	30 1/4	16	32 3/8	1 1/4	20 1/2	12 3/4	17 1/4	22	17 1/2	20 3/4	41 5/8	19 5/8	29 1/8	12 5/16	1 1/2	16	28 3/4	1/2	4 7/8	22 1/4	15 7/16	12 5/8	18 3/16	16 11/16	14
18	1 3/16	33 1/2	17 7/8	35 1/4	1 1/2	23 1/2	14 1/8	19	24	19 3/8	22 1/2	45 5/8	21 5/8	32 3/8	13 7/8	1 1/2	18	32	1/2	5 3/16	24 3/4	17	13 7/8	20 1/16	18 1/2	15 7/16
20	1 3/16	36 1/4	20	37 5/8	1 1/2	28 1/2	14 3/4	20 1/2	25 1/2	21 3/4	24 1/4	48 13/16	23 5/16	34 13/16	14 13/16	1 1/2	20	34 3/4	5/8	5 11/16	26 11/16	18 5/16	15	21 5/8	20	16 5/8
22	1 3/16	38 1/2	20	43	1 1/2	28 1/2	17	24	28 3/4	23 7/16	28	54 5/16	25 5/16	37 15/16	16 1/16	1 1/2	24	37	5/8	6 7/16	29 1/8	20 1/16	16 3/8	23 11/16	21 7/8	18 1/4
24	1 7/16	40 1/2	20	46	1 1/2	28 1/2	19	25	31 1/2	26	29	59 9/16	28 1/16	4 13/16	17 1/4	1 1/2	24	39	5/8	7 5/16	31 11/16	21 7/8	17 13/16	26	23 15/16	19 7/8
30	1 11/16	50 3/8	25	56 1/2	1 3/4	35 1/8	23 1/8	31 1/2	38	31 11/16	36 15/16	72 13/16	34 13/16	51 1/2	21 13/16	2	30	46 3/8	5/8	8 63/64	39 27/32	27 17/64	22 1/4	32 17/64	29 49/64	24 49/64
36	2	55 1/2	25	66 3/8	1 3/4	35 1/8	28 1/4	41 1/8	44	38 7/16	44 3/4	82 9/16	38 9/16	59 7/16	25 7/8	2 3/8	34	51 1/2	5/8	8 3/4	45 3/8	31	25 31/32	36	33 1/2	28 15/32

All dimensions are in inches.

Material: Galvanized Steel

PENNBARRY™

1401 North Plano Road, Richardson, TX 75081
Ph: 972.234.3202 Fax: 972.497.0468
www.PennBarry.com

Submittal Sheet

Dynamo

Centrifugal, General Purpose Utility Fan

Galvanized Steel Construction

This drawing illustrates our understanding of order requirements. When approved, it represents details for fabrication, as such, PennBarry will not be responsible for revisions in the field or other changes after release for fabrication. Published and protected by PennBarry, Richardson, TX. All rights reserved. May not be reproduced partially or in full without permission from the publisher. No rights conveyed to manufacture partially or in full, use or sell either the method of construction represented or any invention in any way related thereto.