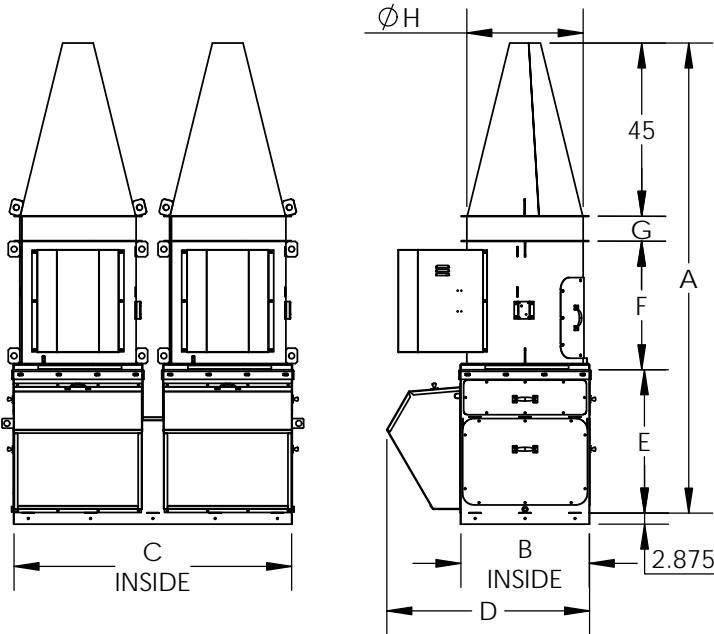


VPLUME 2 X 1  
 FINAL ASSEMBLY WITH PLENUM



All dimensions are in inches.  
 A = Overall system height (without curb)  
 B = Width of Curb  
 C = Length of Curb  
 D = Overall width of the system  
 E = Height of plenum  
 F = Height of fans  
 G = Height of stack extension  
 H = Housing Outer Diameter

\*Weights do not include motors and drives

DIMENSIONAL & WEIGHT DATA

| MODEL | A   | B      | C       | D      | E      | F      | G      | H      | WEIGHT*(LBS) |
|-------|-----|--------|---------|--------|--------|--------|--------|--------|--------------|
| 90    | 122 | 21 1/2 | 48 1/4  | 41     | 34 1/4 | 27 1/4 | 15 1/2 | 18 1/2 | 942          |
| 105   | 122 | 21 1/2 | 48 1/4  | 41     | 34 1/4 | 27 1/4 | 15 1/2 | 18 1/2 | 942          |
| 122   | 122 | 21 1/2 | 48 1/4  | 41     | 34 1/4 | 27 1/4 | 15 1/2 | 18 1/2 | 943          |
| 135   | 122 | 23 1/2 | 52 1/4  | 43     | 37 1/4 | 29 1/4 | 10 1/2 | 20 1/2 | 1107         |
| 150   | 122 | 25 1/2 | 56 1/4  | 45     | 38 1/4 | 31 1/4 | 7 1/2  | 22 1/2 | 1237         |
| 165   | 122 | 27 1/2 | 60 1/4  | 47     | 39     | 31 1/2 | 6 1/2  | 25     | 1348         |
| 182   | 122 | 33 1/2 | 72 1/4  | 53     | 37     | 33 1/2 | 6 1/2  | 30 1/4 | 1639         |
| 200   | 123 | 35 1/2 | 76 1/4  | 58 1/4 | 43     | 35     | -      | 33 1/4 | 1720         |
| 222   | 127 | 39 1/2 | 84 1/4  | 62 1/4 | 43     | 39     | -      | 36 3/4 | 1860         |
| 245   | 139 | 45 1/2 | 96 1/4  | 71     | 51     | 43     | -      | 40 3/4 | 2248         |
| 270   | 144 | 49 1/2 | 104 1/4 | 75     | 51 1/2 | 47 1/2 | -      | 44 3/4 | 2642         |
| 300   | 151 | 58 1/4 | 122     | 85 3/4 | 53     | 53     | -      | 49 3/4 | 3338         |
| 330   | 164 | 60     | 125 3/4 | 89 1/2 | 59 1/2 | 59 1/2 | -      | 49 1/4 | 3862         |
| 365   | 170 | 63     | 131 1/2 | 92 1/2 | 59     | 66     | -      | 54 3/4 | 4431         |
| 402   | 181 | 70     | 145 1/2 | 99 1/2 | 63     | 73     | -      | 60 1/4 | 5196         |

STANDARD CONSTRUCTION FEATURES

- Stainless Steel Shaft
- Bolted Access Door
- Weather Cover
- Air Dry Phenolic Coat with UV (Gray)
- Fan Drain
- Stainless Steel Hardware
- Ceramic Shaft Seal
- Aluminum Non-Overloading Wheel
- AMCA B
- L10/100K Concentric Bearings
- Nylon Lube Line
- UL/cUL 705 Certified
- AMCA Certified for Air & Sound
- High Velocity Discharge Nozzle
- Designed to Withstand 125 mph Wind

ACCESSORIES

- Plenum Air Bypass with Motorized Control Damper
- NEMA 3R Disconnect Switch
- 2.0 Service Factor Drives
- Isolation Damper:
- VFD (Shipped Loose)
- Roof Curb
- Piezo Ring:
- Gravity
- Motorized
- With Transducer
- Without Transducer

REVISION:

FORM:

REPLACES: