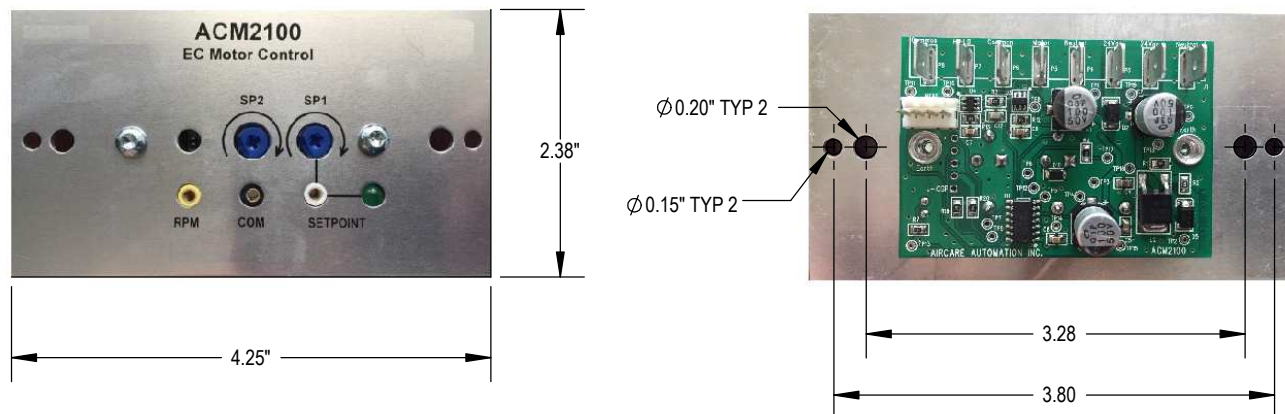


iQ - MS
MULTI SPEED ECM CONTROLLER

OVERVIEW

PROVIDES REMOTE INTERFACE FOR SETTING, MONITORING AND SWITCHING BETWEEN TWO INDEPENDENT MOTOR SPEEDS FOR A SINGLE MOTOR / FAN THAT ACCEPTS 0 -10 VDC INPUT.


NOTE:
SPEED SELECTION:

SELECTING BETWEEN TWO USER DEFINED SET POINTS IS ACCOMPLISHED BY ELECTRICALLY SHORTING (JUMPER) HI-LO (P7) AND COMMON (P8). THIS IS GENERALLY ACCOMPLISHED THROUGH A SWITCH (PROVIDED BY OTHERS). SEE WIRING SCHEMATIC ON PAGE 2

SP1: COMMON (P8) AND HI-LO (P7) ARE OPEN

SP2: COMMON (P8) AND HI-LO (P7) ARE CLOSED

FEATURE SET

- 1 OUTPUTS TWO DISCRETE, USER DEFINED VOLTAGE LEVELS (SETPOINTS) TO DRIVE MOTOR / FAN SPEED
- 2 SETPOINTS MAY BE SWITCHED REMOTELY THROUGH EXTERNAL SWITCH (PROVIDED BY OTHERS)
- 3 DIGITAL MULTI-METER PROBE JACKS PROVIDE FOR REMOTE DIGITAL VERIFICATION OF MOTOR / FAN SETPOINTS
- 4 COMPATIBLE WITH: ANY MOTOR THAT ACCEPTS 0-10 VOLT CONTROL INPUT
- 5 LED INDICATOR FLASHES SET-POINT VALUE PROVIDING VISUAL CONFIRMATION OF OPERATING SPEED

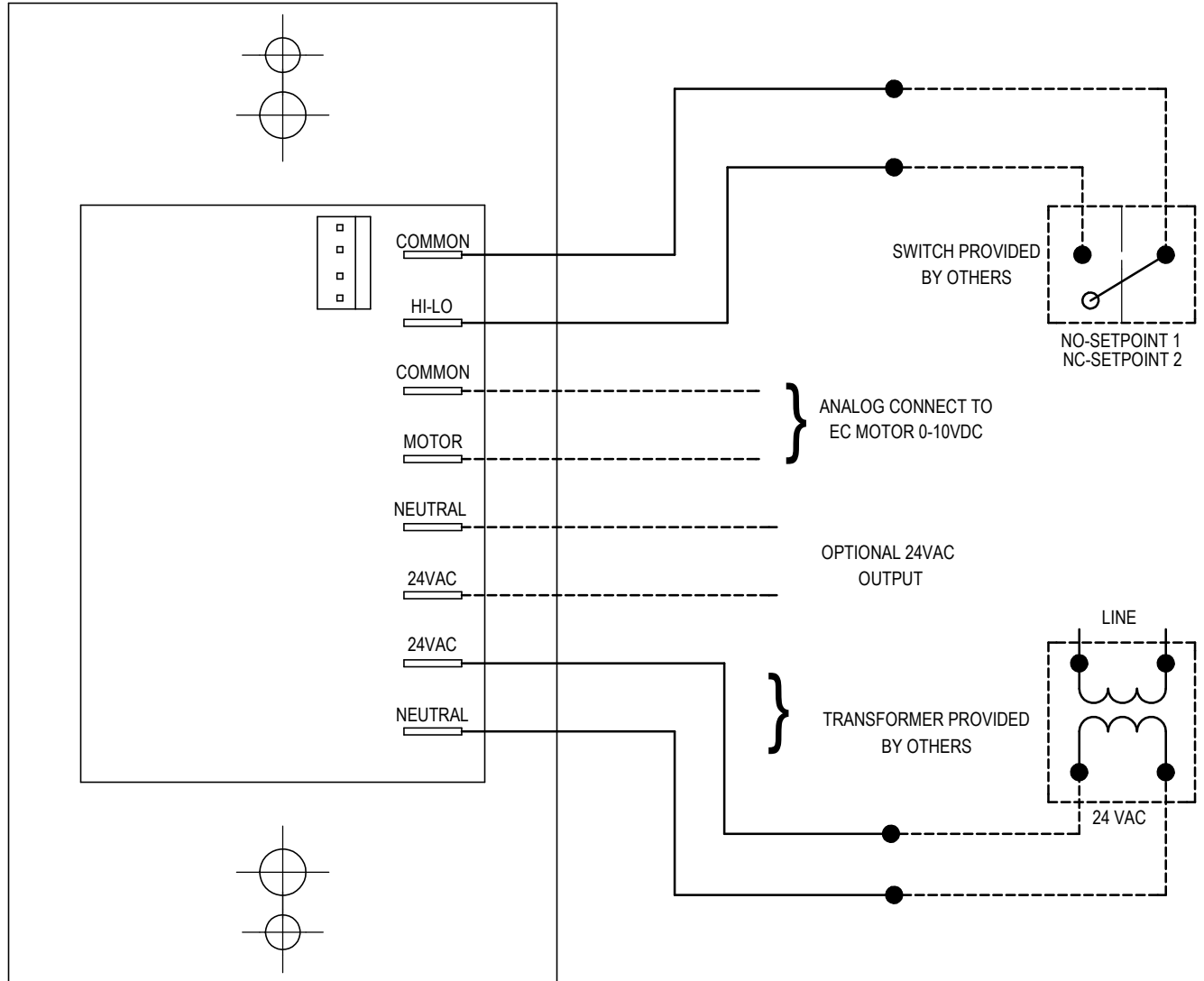
MECHANICAL

CONNECTION	CONNECTOR TYPE
INPUT POWER	2 X 1/4" SPADE CONNECTORS
OUTPUT POWER	2 X 1/4" SPADE CONNECTORS
SPEED SELECTION	2 X 1/4" SPADE CONNECTORS
MOTOR SPEED, ANALOG OUTPUT	2 X 1/4" SPADE CONNECTORS
MOTOR SPEED, DIGITAL OUTPUT (PWM)*	MTA 4-PIN / HEADER

* NOT REQUIRED

iQ - MS
MULTI SPEED ECM CONTROLLER

Wiring Schematic



Electrical & Environmental Parameters

Parameter	Min	Typical	Max	Units
Transformer Ratings 50/60Hz, 2.4VA	-	24	-	VAC
Input Voltage Range, AC	12	-	30	VAC
Input Voltage Range, DC	14	18	30	VDC
Input Current			25	Ma
Motor Speed, Analog Output	0		10	VDC
Motor Speed, Digital Output (PWM)	0		10	VDC
Motor Enable, Digital Output	0		10	VDC
Open-Closed Contact Impedance	0		500	Ohms
Ambient Operating Temperature	-18	25	55	°C