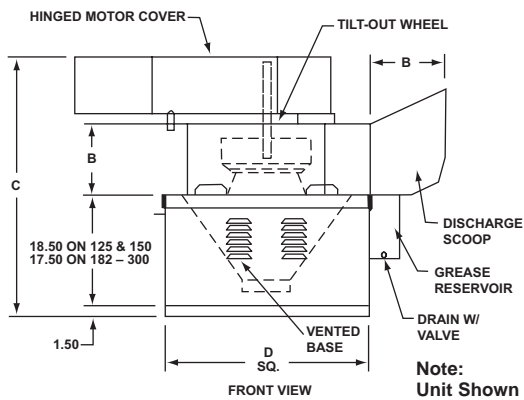
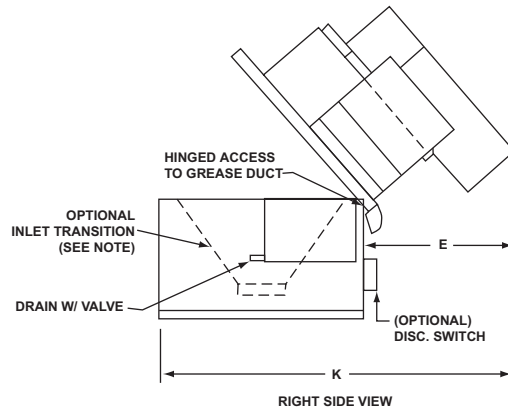


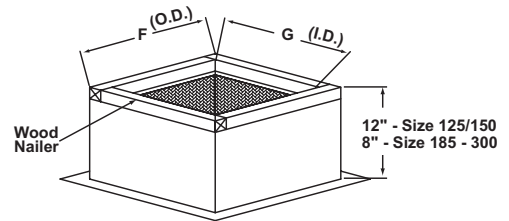
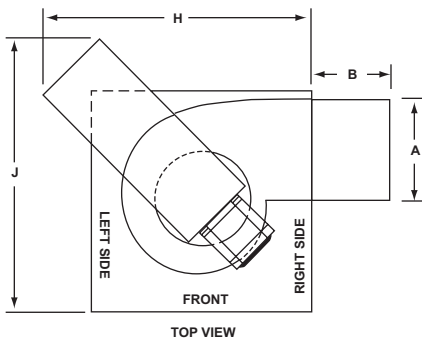
GBD Series Exhaust Blower Standard



Note:
Unit Shown with
Access Lid Closed.



Note:
Unit Shown with
Access Lid Open.



ROOF CURB DETAIL
(optional) All - Welded
Galvanized Steel

SIZE	A	B	C	D	E	F	G	H-	J	K-	FAN WEIGHT*	SHIP WEIGHT*
125	16.13	12.00	44.50	34.00	29.00	33.50	30.50	42.66	42.66	63.00	250	350
150	16.13	12.00	44.50	34.00	29.00	33.50	30.50	42.66	42.66	63.00	250	350
182	19.50	14.63	46.00	40.50	32.00	39.75	36.75	45.25	41.22	72.50	350	475
222	23.75	17.75	49.50	40.50	35.00	39.75	36.75	51.28	47.97	75.50	420	545
245	26.25	19.63	52.00	47.00	37.00	46.50	43.50	56.56	52.84	84.00	520	695
270	29.00	21.63	53.00	53.00	42.00	52.50	49.50	68.56	66.00	95.00	620	820
300	32.25	23.75	55.00	65.50	43.00	64.50	51.50	80.19	80.38	109.50	720	970

~ Maximum Clearance Dimensions For Installation * Approximate Weights C/F - Contact Factory
Note: Inlet transition must be supplied by others if not ordered from the factory in order for the fan to operate properly.



SPECIFICATIONS

Tag #	Qty	Fan					Motor		Special Notes
		Model	CFM	S.P.	BHP	RPM	H.P.	Voltage / Phase	

Project Name	Contractor
Location	Submitted By
Architect	Submittal Date
Engineer	Customer Purchase Order Number

Features

- AMCA Licensed
- Liquid-tight, heavy gauge housing
- Continuously welded bases
- Hinged lift-out wheel
- Leak free discharge scoop
- Large quantity grease reservoir
- Heavy duty bearings
- Efficient, continuous-duty motor
- Non-overloading, backwardly-inclined fan wheel
- UL762 (YZHW), for use with grease-laden air

DRAWING NO: **GBD-6001** Date: **02/06**