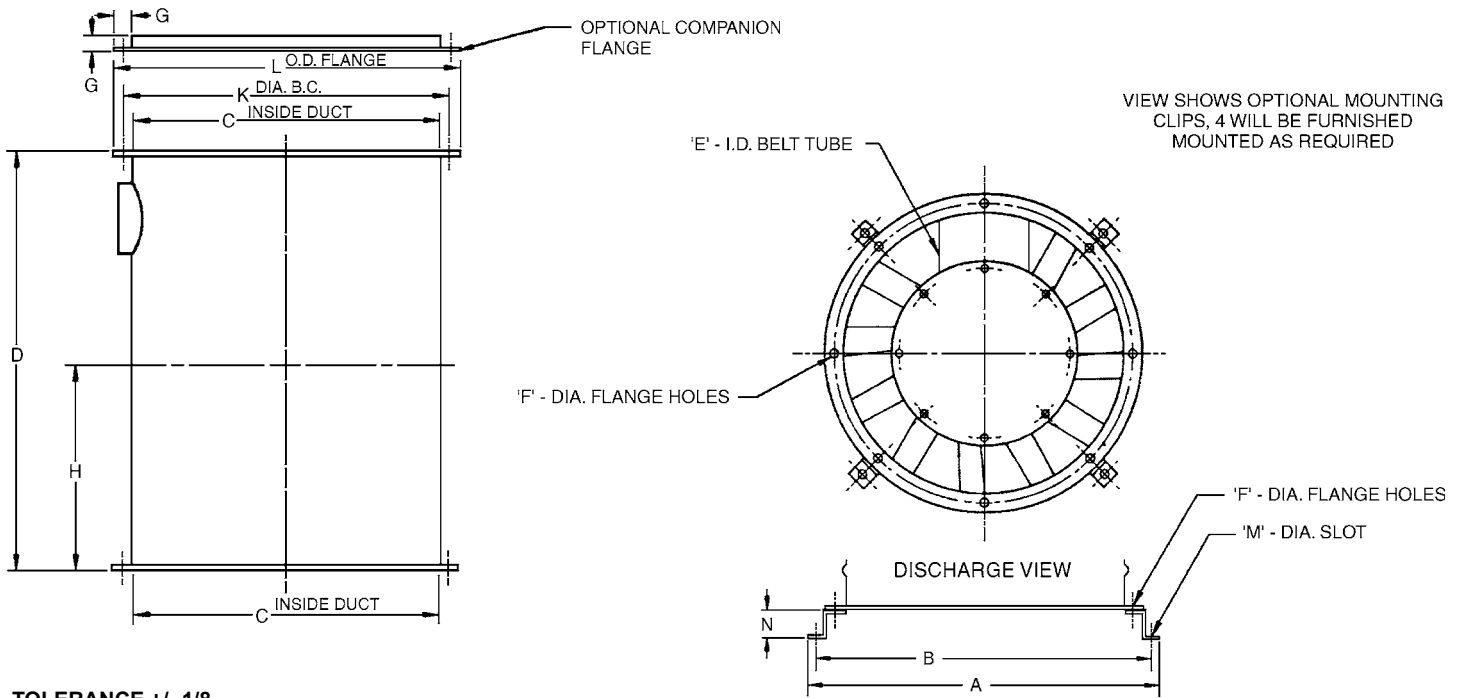


Tubular Centrifugal Fan - TUB Vertical Discharge - Arrangement 9, Class I & II



TOLERANCE +/- 1/8

- Notes:**
1. All units equipped with adjustable motor base.
 2. Fan duct mounting holes:
90 - 165 = (8) 9/16 dia. holes equally spaced about a "B" dia. bolt circle.
 3. Dimensions should not be used for construction. Certified drawings are available upon request.

Dimensional Data

Size	Dimensions - Inches														Max Mtr. Frame
	A	B	C	D	E	F	G	H	J - Dia. Sft.		K	L	M	N	
									Class I	Class II					
90	16.88	14.88	12.75	20.38	4.50	0.38	1.00	10.19	0.750	N/A	14.00	14.81	0.50	2.25	145T
105	18.88	16.63	14.75	24.00	5.50	0.38	1.00	12.00	0.750	N/A	16.00	16.81	0.50	2.25	145T
122	22.75	21.50	16.56	24.75	5.75	0.56	1.25	12.38	1.188	1.188	18.25	19.25	0.50	3.19	184T
135	24.50	23.25	18.25	27.38	6.31	0.56	1.25	13.69	1.188	1.438	20.00	21.00	0.50	3.19	184T
150	26.50	25.25	20.25	30.38	7.06	0.56	1.25	15.19	1.188	1.438	22.00	23.00	0.50	3.19	215T
165	28.69	27.19	22.31	33.38	7.75	0.56	1.25	16.69	1.188	1.438	24.00	25.00	0.50	3.19	256T

<p>PENNBARRY™</p> <p>1401 North Plano Road, Richardson, TX 75081 Ph: 972.234.3202 Fax: 972.497.0468 www.PennBarry.com</p>	<h2 style="margin: 0;">Submittal Sheet</h2> <h3 style="margin: 0;">Tubular Centrifugal Fan</h3> <h4 style="margin: 0;">Vertical Discharge</h4> <h4 style="margin: 0;">Arrangement 9, Class I & II</h4>
--	--

This drawing illustrates our understanding of order requirements. When approved, it represents details for fabrication, as such, PennBarry will not be responsible for revisions in the field or other changes after release for fabrication. Published and protected by PennBarry, Richardson, TX. All rights reserved. May not be reproduced partially or in full without permission from the publisher. No rights conveyed to manufacture partially or in full, use or sell either the method of construction represented or any invention in any way related thereto.