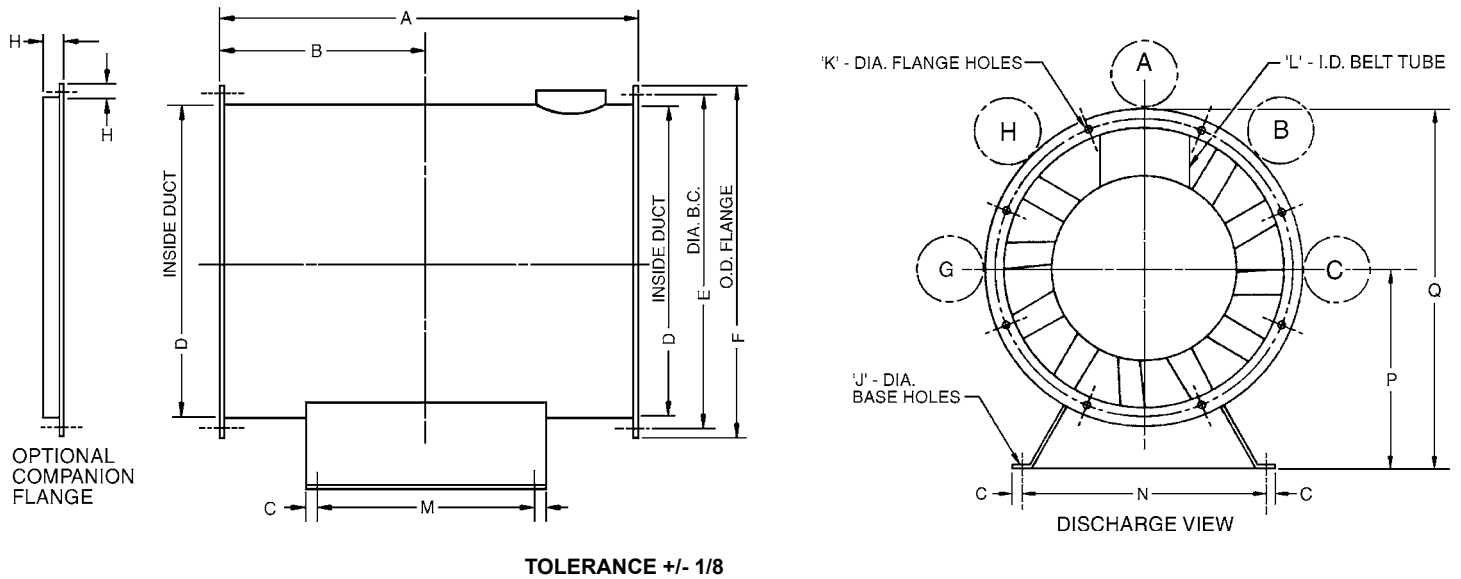


Tubular Centrifugal Fan - TUB

Horizontal Base Mounted - Arrangement 9, Class I & II



- Notes:**
1. All units equipped with adjustable motor base.
 2. Motor available in A, B, C, G, or H locations only.
 3. Fan duct mounting holes:
90 - 165 = (8) 9/16 dia. holes equally spaced about a "B" dia. bolt circle.
 4. Dimensions should not be used for construction. Certified drawings are available upon request.

Dimensional Data

Size	Dimensions - Inches																Max Mtr. Frame
	A	B	C	D	E	F	G - DIA. SFT.		H	J	K	L	M	N	P	Q	
							Class I	Class II									
90	20.38	10.19	1.31	12.75	14.00	14.81	0.75	N/A	1.00	0.50	0.38	4.50	16.75	12.50	8.88	16.50	145T
105	24.00	12.00	1.31	14.75	16.00	16.81	0.75	N/A	1.00	0.50	0.38	5.50	20.38	15.00	9.88	18.50	145T
122	24.75	12.38	0.63	16.56	18.25	19.25	1.188	1.188	1.25	0.44	0.56	5.75	14.75	14.75	12.00	21.63	184T
135	27.38	13.69	0.63	18.25	20.00	21.00	1.188	1.438	1.25	0.44	0.56	6.31	16.75	16.75	13.00	23.50	184T
150	30.38	15.19	0.63	20.25	22.00	23.00	1.188	1.438	1.25	0.44	0.56	7.06	19.75	18.75	14.00	25.50	215T
165	33.38	16.69	0.63	22.31	24.00	25.00	1.438	1.438	1.25	0.44	0.56	7.75	22.75	20.75	15.00	27.50	256T

<p>PENNBARRY™</p> <p>1401 North Plano Road, Richardson, TX 75081 Ph: 972.234.3202 Fax: 972.497.0468 www.PennBarry.com</p>	<h2 style="margin: 0;">Submittal Sheet</h2> <h3 style="margin: 0;">Tubular Centrifugal Fan</h3> <h4 style="margin: 0;">Horizontal Base Mounted</h4> <h4 style="margin: 0;">Arrangement 9, Class I & II</h4>
--	---

This drawing illustrates our understanding of order requirements. When approved, it represents details for fabrication, as such, PennBarry will not be responsible for revisions in the field or other changes after release for fabrication. Published and protected by PennBarry, Richardson, TX. All rights reserved. May not be reproduced partially or in full without permission from the publisher. No rights conveyed to manufacture partially or in full, use or sell either the method of construction represented or any invention in any way related thereto.