

INDUSTRACON

Industrial Exhauster

TECHNICAL SPECIFICATIONS



PENNBARRY™

BULLETIN IND18

TABLE OF CONTENTS

INTRODUCTION	3
CERTIFICATIONS & LISTINGS	4
PERFORMANCE LIMITS	5
RPM REDUCTION FACTORS FOR HIGH TEMPERATURE OPERATION	5
PROCEDURE FOR USING DENSITY FACTORS	6
TYPE OT 05 - 61	7-8
TYPE OT 07 - 61	9-10
TYPE OT 09 - 61	11-12
TYPE OT 11 - 61	13-14
TYPE OT 13 - 61	15-16
TYPE OT 15 - 61	17-18
TYPE OT 17 - 61	19-20
TYPE OT 19 - 61	21-22
TYPE OT 21 - 61	23-24
TYPE OT 23 - 61	25-26
TYPE OT 26 - 61	27-28
TYPE OT 29 - 61	29-30
TYPE OT 33 - 61	31-32
TYPE OT 37 - 61	33-34
TYPE OT 41 - 61	35-36
TYPE WT 07 - 61	37-38
TYPE WT 09 - 61	39-40
TYPE WT 11 - 61	41-42
TYPE WT 13 - 61	43-44
TYPE WT 15 - 61	45-46
TYPE WT 17 - 61	47-48
TYPE WT 19 - 61	49-50
TYPE WT 21 - 61	51-52
TYPE WT 23 - 61	53-54
TYPE WT 26 - 61	55-56
TYPE WT 29 - 61	57-58
TYPE WT 33 - 61	59-60
TYPE WT 37 - 61	61-62
TYPE WT 41 - 61	63-64
TYPE AH 07 - 61	65-66
TYPE AH 09 - 61	67-68
TYPE AH 11 - 61	69-70
TYPE AH 13 - 61	71-72
TYPE AH 15 - 61	73-74
TYPE AH 17 - 61	75-76
TYPE AH 19 - 61	77-78
TYPE AH 21 - 61	79-80
TYPE AH 23 - 61	81-82
TYPE AH 26 - 61	83-84
TYPE AH 29 - 61	85-86
TYPE AH 33 - 61	87-88
TYPE AH 37 - 61	89-90
TYPE AH 41 - 61	91-92

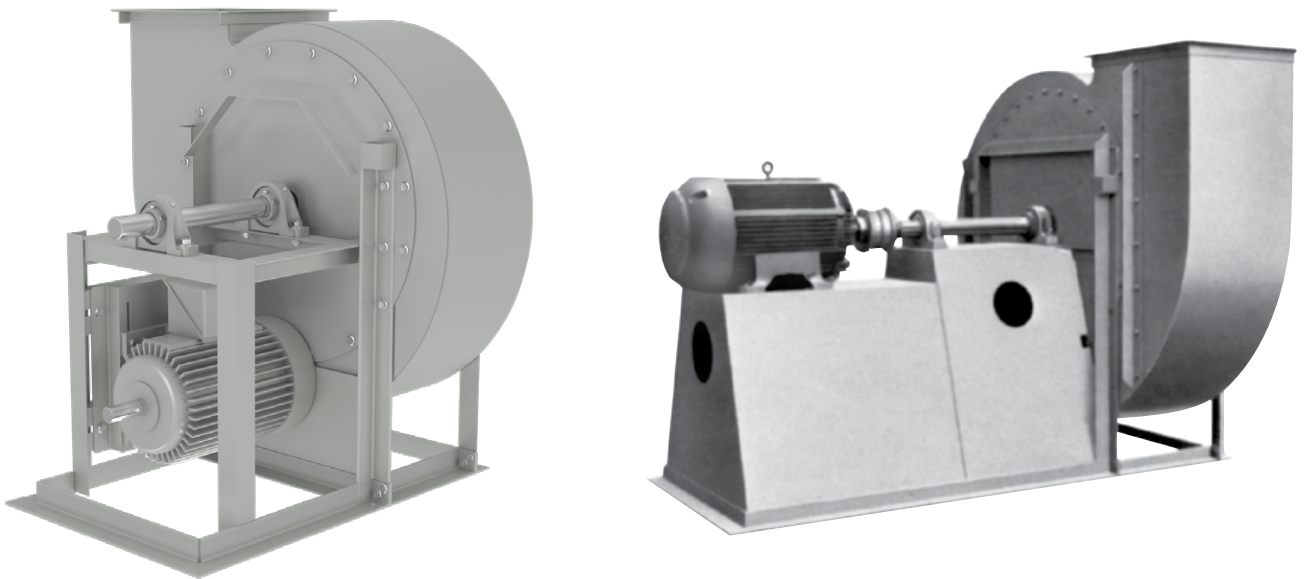
INTRODUCTION

IndustraCon Industrial Exhaust

The IndustraCon is a high quality fan for use in all types of industrial applications where you have high static pressures, such as paper mills, dust collectors, power plants, and woodworking plants.

The PennBarry Series 61 IndustraCon line of fans is the result of over 30 years of experience in designing and engineering high quality fans. The performance ratings shown are based on tests to AMCA Standard 210.

Trained PennBarry sales representatives are available to offer assistance in the proper selection and application of IndustraCon fans or other equipment in the complete line of PennBarry products.



IndustraCon

Model: IND

- Volumes up to 105,600 CFM.
- Available arrangements are 1, 4, 9, and 10.
- Inlet sizes up to 41" in diameter.
- Wheels up to 71 1/4".
- Static pressures up to 30" WG.

CERTIFICATIONS & LISTINGS



AMCA Certification

PennBarry certifies that the IND, Series 61 fans shown herein are licensed to bear the AMCA Seal. The ratings shown are based on tests and procedures performed in accordance with AMCA Publication 211 and comply with the requirements of the AMCA Certified Ratings Program.

PERFORMANCE LIMITS

Three basic types of wheels are offered in the PennBarry line of industrial fans. The OT wheel design is offered in OT-15, OT-17, OT-20 and OT-15H (heavy-duty) wheels. The WT wheel design is offered in three variations: the WT-15, WT-17 and WT-15H (heavy duty) wheels. The AH or "air handling" type wheel is offered in two versions, the AH-15 and the AH-17. The designations 15, 17 and 20 denote the pressure and outlet velocity capabilities of the wheels; the higher numbers denote higher capabilities.

Maximum Fan RPM and WR*

Size	Type OT								Type WT						Type AH				
	OT-15		OT-17		OT-20		OT-15H		WT-15		WT-17		WT-15H		AH-15		AH-17		
	RPM	WR*	RPM	WR*	RPM	WR*	RPM	WR*	RPM	WR*	RPM	WR*	RPM	WR*	RPM	WR*	RPM	WR*	
5-61	6548	0.5	-	-	-	-	-	-	-	-	-	-	-	-	-	-	-	-	-
7-61	4677	0.8	-	-	-	-	4677	1	4677	1.4	-	-	4677	1.8	4677	2.5	-	-	-
9-61	3667	2.6	4190	4.9	-	-	3667	5.5	3667	4	4280	4	3667	5.2	3667	6.5	4110	6.8	-
11-61	2995	4.6	3295	9.7	3994	14.7	2995	14.7	2995	7.8	3435	7.8	2995	14.2	2995	15.4	3355	17.2	-
13-61	2532	13.7	2790	26.6	3377	29	2532	29	2532	22	2904	22	2532	29	2532	36	2836	36	-
15-61	2193	21	2415	44	2934	54	2193	54	2193	35	2514	35	2193	49	2193	63	2456	69	-
17-61	1934	34	2256	76	2579	89	1934	89	1934	57	2218	57	1934	79	1934	106	2166	116	-
19-61	1736	58	2026	118	2315	140	1736	140	1736	123	1991	123	1736	185	1736	161	1945	175	-
21-61	1570	77	1831	203	2093	231	1570	231	1570	183	1800	183	1570	274	1570	241	1758	318	-
23-61	1432	167	1671	349	1910	431	1432	431	1432	261	1642	261	1432	391	1432	382	1604	461	-
26-61	1270	240	1481	536	1693	655	1270	655	1270	422	1456	422	1270	631	1270	702	1422	752	-
29-61	1135	451	1324	912	1513	1131	1135	1131	1135	661	1301	661	1135	985	1135	1199	1271	1330	-
33-61	996	653	1163	1433	1329	2151	996	2151	996	1658	1143	1658	996	2211	996	1990	1116	2340	-
37-61	890	2500	1038	2500	1187	3628	890	3628	890	2600	1021	2600	890	3462	890	3438	977	3646	-
41-61	804	3508	938	3508	1072	5144	804	5144	804	3881	922	3881	804	5161	804	5253	901	5555	-

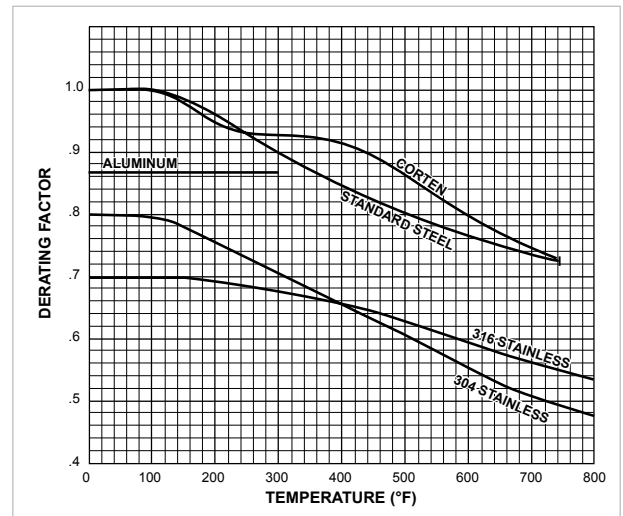
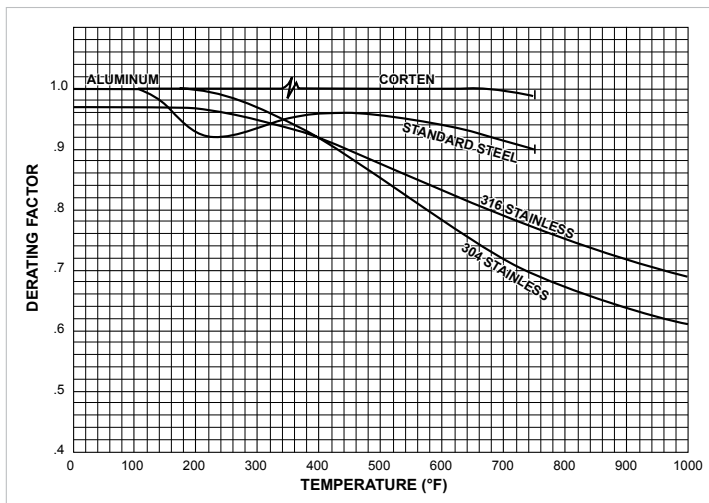
The designations "15," "17," and "20" shown on the fan performance tables are governed not only by the maximum allowable speed, but also by the horsepower transmitted to the shaft. Therefore, the RPM's shown in the table above may be lower than shown.

*Multiply the maximum fan speed given above by the derating factor in the following charts to arrive at the maximum allowable fan speed at elevated temperatures.

RPM REDUCTION FACTORS FOR HIGH TEMPERATURE OPERATION

Type OT and WT Wheels

Type AH Wheels



PROCEDURE FOR USING DENSITY FACTORS

The fan performance tables that are contained in this catalog are based on standard air as defined by AMCA; this condition is 70°F and dry air at sea level pressure (29.92" of mercury). This results in an air density of 0.075 lb. per cu. ft. of air.

A convenient method of converting actual conditions of air back to standard air conditions is by utilizing the following table where air density ratios may be determined by knowing the actual air temperature and the altitude at which the fan is operating.

By dividing the actual static pressure (hot static pressure) by the density ratio, the standard or cold (70°F) static pressure is established. Once the equivalent standard conditions have been established, the following fan performance tables may be utilized, and the exact speed of the fan may be determined. The indicated brake horsepower at standard conditions, however, must be multiplied by the density factor to determine the hot or actual operating BHP.

It naturally follows that, the less dense the air, the less the air will weigh per given volume and, consequently, the fan will require less energy to move a given volume of air. Bear in mind, however, that during the start-up time, especially in process applications, the air may be cold and the fan might consequently require more cold HP from the motor than it will at hot actual operating conditions.

Also, keep in mind that at elevated temperatures most metals become weaker and lubricants can break down. We, therefore, suggest you refer to the tables on page 5 to determine the actual limitation of the fan at varying inlet temperatures. It may be necessary to employ additional features such as stainless steel wheel construction, cooling wheels and seals, and modified bearings to cope with the elevated temperatures.

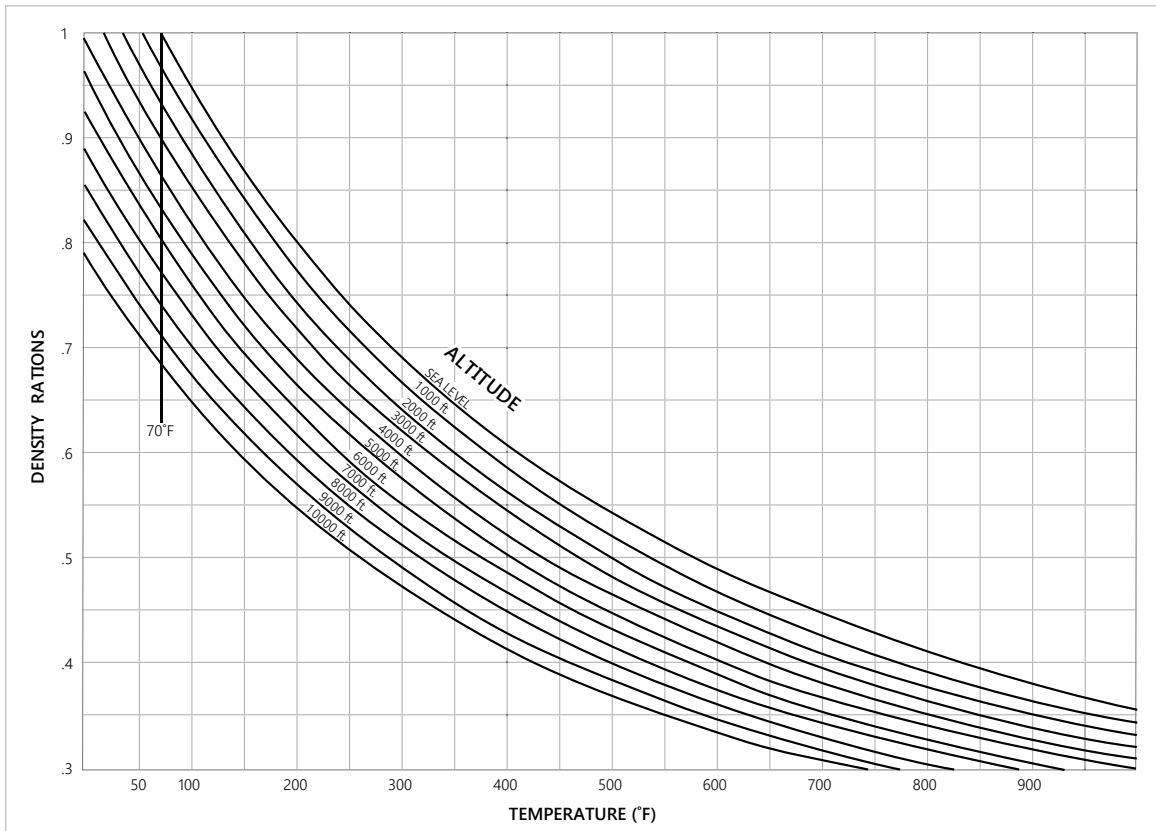
Let us now look at the following example where the density of the air is different from that of standard.

Example:

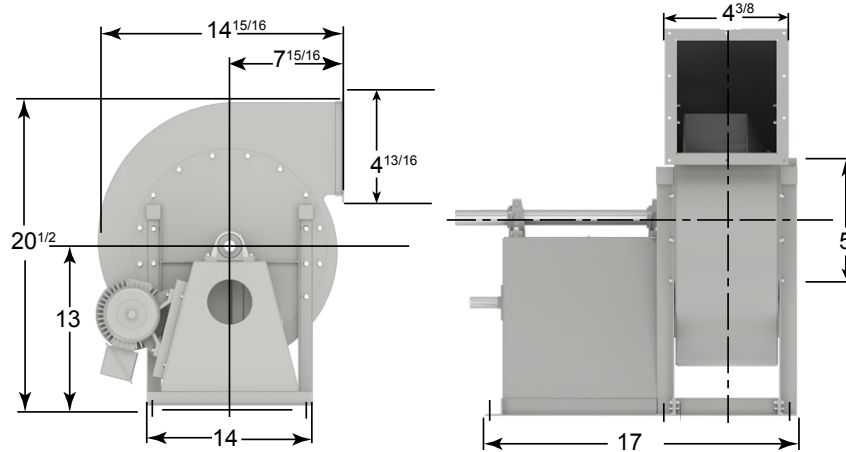
Conditions — 10,000 CFM of 400°F air at an altitude of 5,000 feet. A static pressure of 10" w.g. Open type wheel.

To correct to standard air density, refer to the chart below and determine the air density ratio of .51. Divide the 10" SP by the density ratio of .51 to arrive at a new static pressure of 19.63. Refer to the table on page 19-20 to determine that the 21-61 must operate at 1613 RPM. The cold brake horsepower is 48.40. The actual brake horsepower becomes $48.40 \times .51$ or 24.68 brake horsepower.

Air Density Ratios at Various Altitudes and Air Temperatures



TYPE OT | 05 - 61



CFM	OV	STATIC PRESSURE																	
		0.5		1		1.5		2		2.5		3		3.5		4		4.5	
		RPM	BHP	RPM	BHP	RPM	BHP	RPM	BHP	RPM	BHP	RPM	BHP	RPM	BHP	RPM	BHP	RPM	BHP
140	1000	1268	0.03	1664	0.06	1986	0.09	2264	0.12	2513	0.16	2740	0.2	2950	0.25	3147	0.29	3332	0.34
168	1200	1342	0.04	1722	0.07	2032	0.11	2303	0.14	2546	0.18	2769	0.23	2976	0.27	3170	0.32	3353	0.37
196	1400	1423	0.05	1789	0.09	2088	0.13	2350	0.17	2587	0.21	2806	0.25	3009	0.3	3199	0.35	3380	0.4
224	1600	1509	0.07	1861	0.11	2151	0.15	2406	0.19	2637	0.24	2850	0.28	3049	0.33	3236	0.38	3414	0.44
252	1800	1601	0.08	1939	0.13	2221	0.17	2469	0.22	2694	0.27	2902	0.32	3096	0.37	3280	0.43	3464	0.48
280	2000	1697	0.1	2021	0.15	2295	0.2	2537	0.25	2756	0.31	2959	0.36	3150	0.41	3329	0.47	3501	0.53
308	2200	1798	0.13	2107	0.18	2373	0.24	2609	0.29	2824	0.35	3022	0.4	3208	0.46	3385	0.52	3553	0.58
336	2400	1903	0.15	2196	0.21	2455	0.27	2685	0.33	2895	0.39	3090	0.45	3272	0.52	3445	0.58	3610	0.64
364	2600	2013	0.18	2289	0.25	2540	0.31	2765	0.38	2970	0.44	3161	0.51	3340	0.57	3509	0.64	3671	0.71
392	2800	2127	0.22	2386	0.29	2627	0.36	2847	0.43	3048	0.5	3235	0.57	3411	0.64	3578	0.71	3736	0.78
420	3000	2243	0.26	2486	0.33	2718	0.4	2932	0.48	3129	0.55	3313	0.63	3485	0.7	3649	0.78	3805	0.86
448	3200	2362	0.3	2589	0.38	2811	0.46	3019	0.54	3212	0.62	3392	0.7	3562	0.78	3723	0.86	3877	0.94
476	3400	2493	0.35	2695	0.43	2908	0.51	3109	0.6	3298	0.69	3475	0.77	3642	0.86	3800	0.94	3951	1.03
504	3600	2605	0.41	2805	0.49	3007	0.59	3202	0.69	3386	0.76	3559	0.85	3723	0.94	3879	1.03	4028	1.12
532	3800	2730	0.47	2916	0.55	3109	0.65	3297	0.74	3476	0.84	3645	0.93	3807	1.03	3960	1.12	4107	1.22
560	4000	2855	0.54	3031	0.63	3213	0.72	3394	0.82	3568	0.92	3724	1.02	3892	1.13	4043	1.23	4188	1.33
588	4200	2981	0.61	3147	0.7	3320	0.8	3494	0.91	3662	1.01	3824	1.12	3980	1.23	4128	1.33	4271	1.44
616	4400	3109	0.7	3265	0.79	3430	0.89	3596	1	3759	1.11	3917	1.22	4069	1.34	4215	1.45	4355	1.56
644	4600	3237	0.79	3385	0.88	3541	0.99	3701	1.1	3858	1.22	4012	1.33	4160	1.45	4303	1.57	4441	1.68
672	4800	3365	0.89	3506	0.99	3655	1.1	3807	1.21	3959	1.33	4108	1.45	4253	1.57	4393	1.69	4529	1.81
700	5000	3495	0.99	3629	1.1	3770	1.21	3916	1.33	4062	1.45	4207	1.58	4348	1.7	4485	1.83	4619	1.95

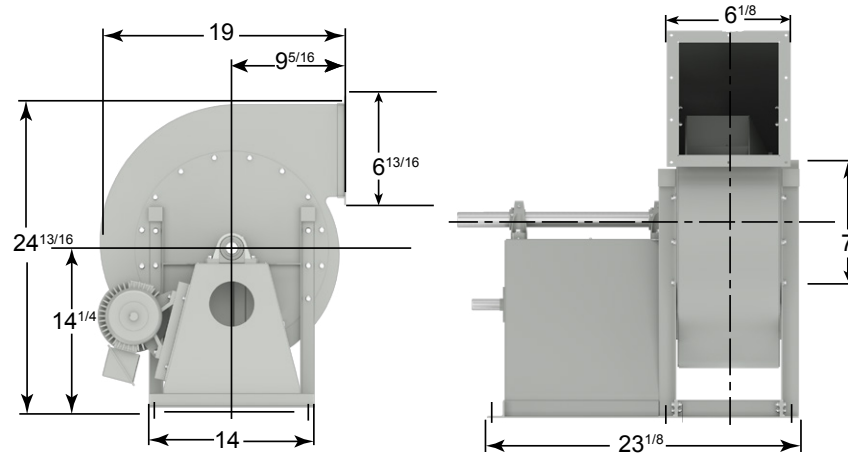
TYPE OT | 05 - 61

CFM	OV	5		5.5		6		6.5		7		7.5		8		8.5		9	
		RPM	BHP	RPM	BHP	RPM	BHP	RPM	BHP	RPM	BHP	RPM	BHP	RPM	BHP	RPM	BHP	RPM	BHP
196	1400	3552	0.46	3716	0.51	3873	0.57	4025	0.63	4171	0.69	4312	0.76	4449	0.82	4582	0.89	4711	0.96
224	1600	3583	0.49	3745	0.55	3900	0.61	4050	0.68	4195	0.74	4335	0.81	4470	0.87	4602	0.94	4731	1.01
252	1800	3621	0.54	3780	0.6	3933	0.66	4081	0.72	4224	0.79	4363	0.86	4497	0.93	4627	1	4755	1.07
280	2000	3664	0.59	3821	0.65	3972	0.72	4118	0.78	4259	0.85	4395	0.92	4528	0.99	4657	1.07	4783	1.14
308	2200	3713	0.65	3867	0.71	4016	0.78	4160	0.85	4299	0.92	4433	0.98	4565	1.06	4692	1.14	4817	1.21
336	2400	3767	0.71	3919	0.78	4065	0.85	4206	0.92	4343	0.99	4476	1.06	4606	1.14	4732	1.22	4855	1.3
364	2600	3826	0.78	3975	0.85	4119	0.92	4258	1	4393	1.07	4524	1.15	4651	1.23	4776	1.31	4897	1.39
392	2800	3869	0.85	4035	0.93	4177	1	4314	1.08	4446	1.16	4576	1.24	4701	1.32	4824	1.4	4944	1.48
420	3000	3937	0.93	4099	1.01	4238	1.09	4373	1.17	4504	1.25	4631	1.33	4755	1.42	4876	1.5	4986	1.59
448	3200	4024	1.02	4166	1.1	4303	1.18	4436	1.27	4565	1.35	4691	1.44	4813	1.53	4932	1.61	5049	1.7
476	3400	4097	1.11	4236	1.2	4372	1.28	4502	1.37	4630	1.46	4753	1.55	4874	1.64	4992	1.73	5107	1.82
504	3600	4171	1.21	4309	1.3	4442	1.39	4571	1.48	4697	1.57	4819	1.67	4938	1.76	5054	1.86	5168	1.95
532	3800	4248	1.31	4394	1.41	4516	1.5	4643	1.6	4767	1.7	4887	1.79	5005	1.89	5119	1.99	5232	2.09
560	4000	4327	1.42	4461	1.52	4591	1.62	4717	1.72	4839	1.83	4958	1.93	5074	2.03	5187	2.13	5298	2.23
588	4200	4408	1.54	4540	1.65	4668	1.75	4792	1.86	4913	1.96	5031	2.07	5145	2.17	5257	2.28	5367	2.39
616	4400	4490	1.67	4621	1.78	4747	1.89	4870	2	4989	2.11	5105	2.22	5219	2.33	5329	2.44	5438	2.55
644	4600	4574	1.8	4703	1.91	4828	2.03	4949	2.14	5067	2.26	5182	2.37	5294	2.49	5403	2.6	5511	2.72
672	4800	4660	1.93	4787	2.05	4911	2.17	5030	2.29	5147	2.41	5260	2.53	5371	2.65	5479	2.77	5585	2.89
700	5000	4748	2.08	4873	2.21	4995	2.33	5113	2.46	5228	2.58	5340	2.7	5450	2.83	5557	2.95	5662	3.08
728	5200	4837	2.23	4960	2.36	5080	2.49	5197	2.62	5311	2.75	5421	2.88	5530	3.01	5636	3.14	5739	3.27
756	5400	4927	2.39	5049	2.53	5167	2.67	5282	2.8	5395	2.94	5504	3.07	5611	3.21	5716	3.34	5819	3.47
784	5600	5019	2.56	5139	2.7	5255	2.85	5369	2.99	5480	3.13	5588	3.27	5694	3.41	5798	3.55	5900	3.69
812	5800	5113	2.74	5230	2.89	5345	3.03	5457	3.18	5567	3.32	5674	3.47	5779	3.62	5881	3.76	5982	3.91
840	6000	5209	2.93	5324	3.08	5436	3.23	5547	3.38	5655	3.53	5761	3.68	5864	3.83	5966	3.98	6065	4.13
868	6200	5305	3.12	5418	3.28	5529	3.44	5638	3.59	5744	3.75	5849	3.91	5951	4.06	6051	4.22	6150	4.37
896	6400	5404	3.33	5515	3.49	5623	3.65	5730	3.81	5835	3.98	5938	4.14	6039	4.3	6138	4.46	6235	4.62
924	6600	5504	3.55	5612	3.71	5719	3.88	5824	4.05	5927	4.21	6029	4.38	6128	4.55	6226	4.71	6322	4.88

CFM	OV	10		11		12		13		14		15		16		17		18	
		RPM	BHP	RPM	BHP	RPM	BHP	RPM	BHP	RPM	BHP	RPM	BHP	RPM	BHP	RPM	BHP	RPM	BHP
252	1800	5000	1.22	5233	1.38	5457	1.54	5673	1.71	5881	1.89	6081	2.07	6276	2.25	6464	2.45	-	-
280	2000	5026	1.29	5258	1.45	5480	1.62	5694	1.79	5901	1.97	6100	2.15	6294	2.34	6482	2.53	-	-
308	2200	5057	1.37	5286	1.54	5507	1.7	5719	1.88	5924	2.06	6123	2.25	6315	2.44	-	-	-	-
336	2400	5092	1.46	5319	1.62	5538	1.8	5748	1.98	5952	2.16	6149	2.35	6340	2.54	-	-	-	-
364	2600	5132	1.55	5356	1.72	5573	1.9	5781	2.08	5983	2.27	6178	2.46	6368	2.66	-	-	-	-
392	2800	5175	1.65	5398	1.83	5612	2.01	5818	2.2	6018	2.39	6211	2.59	6399	2.79	-	-	-	-
420	3000	5223	1.77	5443	1.95	5654	2.13	5859	2.32	6056	2.52	6248	2.72	6434	2.92	-	-	-	-
448	3200	5275	1.88	5492	2.07	5701	2.26	5903	2.46	6098	2.66	6288	2.86	6473	3.07	-	-	-	-
476	3400	5330	2.01	5544	2.2	5751	2.4	5950	2.6	6144	2.81	6332	3.02	-	-	-	-	-	-
504	3600	5388	2.15	5599	2.35	5804	2.55	6001	2.75	6193	2.96	6379	3.18	-	-	-	-	-	-
532	3800	5449	2.29	5658	2.5	5860	2.7	6055	2.92	6245	3.13	6429	3.35	-	-	-	-	-	-
560	4000	5513	2.44	5719	2.65	5919	2.87	6112	3.09	6300	3.31	6482	3.54	-	-	-	-	-	-
588	4200	5579	2.6	5783	2.82	5981	3.04	6172	3.27	6357	3.5	-	-	-	-	-	-	-	-
616	4400	5648	2.77	5850	3	6045	3.23	6234	3.46	6417	3.7	-	-	-	-	-	-	-	-
644	4600	5718	2.95	5918	3.18	6111	3.42	6298	3.66	6480	3.9	-	-	-	-	-	-	-	-
672	4800	5791	3.13	5989	3.38	6180	3.62	6365	3.87	-	-	-	-	-	-	-	-	-	-
700	5000	5865	3.33	6061	3.58	6250	3.83	6433	4.09	-	-	-	-	-	-	-	-	-	-
728	5200	5941	3.53	6135	3.79	6322	4.05	-	-	-	-	-	-	-	-	-	-	-	-
756	5400	6018	3.74	6210	4.01	6396	4.28	-	-	-	-	-	-	-	-	-	-	-	-
784	5600	6097	3.97	6287	4.24	6471	4.52	-	-	-	-	-	-	-	-	-	-	-	-
812	5800	6177	4.2	6365	4.48	-	-	-	-	-	-	-	-	-	-	-	-	-	-
840	6000	6258	4.43	6445	4.73	-	-	-	-	-	-	-	-	-	-	-	-	-	-
868	6200	6341	4.68	-	-	-	-	-	-	-	-	-	-	-	-	-	-	-	-
896	6400	6425	4.94	-	-	-	-	-	-	-	-	-	-	-	-	-	-	-	-
924	6600	-	-	-	-	-	-	-	-	-	-	-	-	-	-	-	-	-	-

Performance certified is for Installation Type D: ducted inlet, ducted outlet. Performance ratings do not include the effects of appurtenances. Power rating (BHP) does not include transmission losses. Bold data shows fans maximum static efficiency.

TYPE OT | 07 - 61



CFM	OV	STATIC PRESSURE																	
		0.5		1		1.5		2		2.5		3		3.5		4		4.5	
		RPM	BHP	RPM	BHP	RPM	BHP	RPM	BHP	RPM	BHP	RPM	BHP	RPM	BHP	RPM	BHP	RPM	BHP
270	1000	866	0.05	1153	0.09	1383	0.13	1579	0.18	1754	0.23	1915	0.29	2063	0.35	2202	0.41	2334	0.47
324	1200	912	0.06	1183	0.11	1408	0.16	1602	0.21	1774	0.27	1931	0.33	2077	0.39	2213	0.45	2343	0.52
378	1400	962	0.07	1222	0.13	1438	0.18	1628	0.24	1798	0.31	1953	0.37	2096	0.44	2231	0.51	2358	0.58
432	1600	1019	0.09	1266	0.15	1473	0.21	1657	0.28	1824	0.35	1978	0.42	2120	0.49	2252	0.57	2378	0.64
486	1800	1079	0.11	1314	0.18	1514	0.25	1691	0.32	1854	0.39	2005	0.47	2145	0.55	2277	0.63	2401	0.71
540	2000	1144	0.14	1366	0.21	1560	0.28	1731	0.36	1888	0.44	2035	0.52	2173	0.61	2303	0.7	2426	0.79
594	2200	1214	0.17	1422	0.25	1608	0.33	1775	0.41	1928	0.49	2070	0.58	2204	0.67	2332	0.77	2454	0.86
648	2400	1287	0.21	1481	0.29	1659	0.37	1822	0.46	1971	0.55	2109	0.65	2240	0.74	2364	0.84	2483	0.94
702	2600	1362	0.25	1543	0.33	1714	0.42	1871	0.52	2017	0.62	2152	0.72	2279	0.82	2400	0.92	2517	1.02
756	2800	1441	0.3	1608	0.39	1772	0.48	1923	0.58	2065	0.69	2198	0.79	2322	0.9	2441	1.01	2554	1.12
810	3000	1521	0.36	1677	0.45	1832	0.55	1979	0.65	2115	0.76	2245	0.87	2368	0.99	2484	1.1	2594	1.22
864	3200	1604	0.43	1748	0.52	1894	0.62	2036	0.73	2168	0.84	2294	0.96	2415	1.08	2529	1.2	2638	1.32
918	3400	1689	0.51	1821	0.59	1959	0.7	2095	0.81	2224	0.93	2346	1.05	2463	1.18	2576	1.31	2683	1.44
972	3600	1775	0.59	1896	0.68	2027	0.78	2156	0.9	2282	1.03	2401	1.16	2514	1.29	2624	1.42	2730	1.56
1026	3800	1862	0.69	1973	0.78	2098	0.88	2220	1	2341	1.13	2458	1.27	2568	1.4	2674	1.54	2778	1.68
1080	4000	1950	0.8	2053	0.88	2170	0.99	2286	1.11	2402	1.24	2516	1.38	2624	1.53	2728	1.67	2828	1.82
1134	4200	2039	0.92	2134	1	2243	1.11	2355	1.23	2466	1.37	2575	1.51	2681	1.66	2783	1.81	2881	1.96
1188	4400	2128	1.05	2216	1.13	2318	1.24	2426	1.37	2531	1.5	2637	1.65	2740	1.8	2840	1.96	2936	2.11
1242	4600	2218	1.19	2300	1.28	2395	1.39	2498	1.51	2599	1.65	2700	1.8	2800	1.95	2898	2.11	2992	2.28
1296	4800	2307	1.34	2384	1.43	2474	1.54	2571	1.67	2669	1.81	2765	1.96	2862	2.12	2957	2.28	3050	2.45
1350	5000	2398	1.51	2470	1.6	2554	1.71	2645	1.84	2740	1.98	2833	2.13	2926	2.29	3018	2.46	3108	2.63

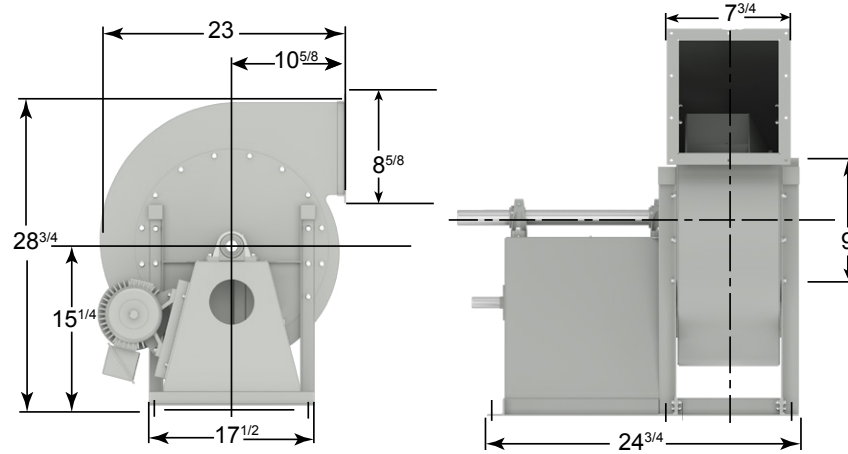
TYPE OT | 07 - 61

CFM	OV	5		5.5		6		6.5		7		7.5		8		8.5		9	
		RPM	BHP	RPM	BHP	RPM	BHP	RPM	BHP	RPM	BHP	RPM	BHP	RPM	BHP	RPM	BHP	RPM	BHP
378	1400	2478	0.65	2594	0.73	2705	0.81	2812	0.89	2915	0.97	3015	1.06	3112	1.14	3205	1.23	3297	1.32
432	1600	2497	0.72	2611	0.8	2720	0.88	2825	0.97	2927	1.06	3025	1.14	3121	1.24	3214	1.33	3304	1.42
486	1800	2519	0.8	2631	0.88	2739	0.97	2843	1.06	2943	1.15	3041	1.24	3135	1.34	3227	1.43	3316	1.53
540	2000	2543	0.88	2655	0.97	2762	1.06	2864	1.15	2964	1.25	3060	1.35	3153	1.44	3244	1.55	3332	1.65
594	2200	2569	0.96	2680	1.06	2786	1.16	2888	1.26	2987	1.36	3082	1.46	3174	1.56	3264	1.67	3351	1.77
648	2400	2597	1.04	2707	1.15	2812	1.25	2914	1.36	3012	1.47	3106	1.58	3198	1.69	3287	1.8	3373	1.91
702	2600	2628	1.13	2736	1.24	2840	1.35	2941	1.47	3038	1.58	3132	1.7	3223	1.82	3311	1.93	3397	2.05
756	2800	2663	1.23	2768	1.34	2871	1.46	2970	1.58	3065	1.7	3159	1.82	3249	1.95	3337	2.07	3423	2.2
810	3000	2701	1.33	2804	1.45	2904	1.57	3001	1.7	3096	1.82	3187	1.95	3277	2.08	3364	2.21	3449	2.34
864	3200	2742	1.45	2843	1.57	2941	1.7	3036	1.82	3128	1.95	3219	2.09	3307	2.22	3393	2.36	3477	2.5
918	3400	2786	1.57	2885	1.7	2981	1.83	3074	1.96	3164	2.09	3253	2.23	3340	2.37	3424	2.51	3507	2.65
972	3600	2831	1.69	2929	1.83	3023	1.97	3114	2.1	3203	2.24	3290	2.38	3375	2.53	3458	2.67	3540	2.82
1026	3800	2878	1.82	2974	1.97	3067	2.11	3157	2.26	3245	2.4	3330	2.55	3413	2.7	3495	2.85	3575	3
1080	4000	2926	1.96	3021	2.11	3113	2.27	3202	2.42	3288	2.57	3372	2.72	3454	2.87	3534	3.03	3613	3.19
1134	4200	2976	2.11	3069	2.27	3160	2.43	3248	2.59	3333	2.74	3416	2.9	3497	3.06	3576	3.22	3653	3.38
1188	4400	3029	2.27	3119	2.43	3208	2.6	3295	2.76	3380	2.93	3462	3.09	3542	3.26	3620	3.43	3696	3.59
1242	4600	3083	2.44	3172	2.61	3258	2.77	3344	2.94	3427	3.12	3508	3.29	3587	3.46	3664	3.64	3740	3.81
1296	4800	3139	2.62	3226	2.79	3311	2.96	3394	3.14	3476	3.32	3556	3.5	3634	3.68	3710	3.86	3785	4.04
1350	5000	3196	2.81	3282	2.99	3365	3.17	3446	3.34	3526	3.53	3604	3.71	3682	3.9	3757	4.08	3831	4.27
1404	5200	3255	3.01	3339	3.19	3421	3.38	3500	3.56	3578	3.75	3655	3.94	3731	4.13	3805	4.32	3878	4.52
1458	5400	3314	3.22	3397	3.41	3477	3.6	3556	3.79	3633	3.98	3707	4.18	3782	4.37	3855	4.57	3927	4.77
1512	5600	3375	3.44	3456	3.64	3535	3.84	3613	4.03	3688	4.23	3762	4.43	3834	4.63	3906	4.83	3976	5.04
1566	5800	3437	3.68	3516	3.88	3594	4.08	3670	4.29	3745	4.49	3818	4.7	3889	4.9	3959	5.11	4028	5.31
1620	6000	3501	3.94	3578	4.14	3654	4.34	3729	4.55	3802	4.76	3874	4.97	3945	5.18	4014	5.4	4081	5.61
1674	6200	3567	4.21	3641	4.41	3715	4.62	3788	4.83	3861	5.04	3932	5.26	4001	5.48	4069	5.7	-	-
1728	6400	3634	4.49	3706	4.7	3778	4.91	3849	5.12	3920	5.34	3990	5.56	-	-	-	-	-	-
1782	6600	3703	4.8	3772	5	3842	5.21	3912	5.43	3981	5.65	-	-	-	-	-	-	-	-

CFM	OV	10		11		12		13		14		15		16		17		18	
		RPM	BHP	RPM	BHP	RPM	BHP	RPM	BHP	RPM	BHP	RPM	BHP	RPM	BHP	RPM	BHP	RPM	BHP
486	1800	3488	1.73	3653	1.94	3811	2.15	3963	2.37	4110	2.6	4251	2.83	4389	3.06	4522	3.3	4651	3.54
540	2000	3502	1.86	3665	2.07	3821	2.3	3972	2.52	4117	2.76	4258	3	4394	3.24	4526	3.49	4655	3.74
594	2200	3520	1.99	3681	2.22	3835	2.45	3984	2.68	4128	2.92	4267	3.17	4402	3.42	4534	3.68	4662	3.94
648	2400	3540	2.14	3700	2.37	3853	2.61	4000	2.85	4142	3.1	4280	3.36	4414	3.62	4544	3.88	4671	4.15
702	2600	3563	2.29	3721	2.53	3873	2.78	4019	3.03	4160	3.29	4297	3.55	4429	3.82	4558	4.09	-	-
756	2800	3587	2.45	3745	2.7	3895	2.96	4040	3.22	4180	3.49	4315	3.76	4447	4.04	4574	4.32	-	-
810	3000	3613	2.61	3769	2.88	3919	3.15	4063	3.42	4202	3.7	4336	3.98	4467	4.27	4593	4.56	-	-
864	3200	3640	2.77	3795	3.06	3944	3.34	4087	3.63	4226	3.92	4359	4.21	4489	4.51	4614	4.81	-	-
918	3400	3668	2.94	3822	3.24	3970	3.54	4113	3.84	4250	4.14	4383	4.45	4512	4.76	4637	5.07	-	-
972	3600	3698	3.12	3851	3.43	3997	3.74	4139	4.05	4276	4.37	4408	4.69	4537	5.01	4661	5.34	-	-
1026	3800	3731	3.31	3881	3.62	4026	3.95	4167	4.27	4303	4.6	4434	4.93	4562	5.27	-	-	-	-
1080	4000	3766	3.5	3914	3.83	4057	4.16	4196	4.5	4331	4.84	4461	5.18	4588	5.53	-	-	-	-
1134	4200	3804	3.71	3949	4.04	4090	4.38	4227	4.73	4360	5.08	4490	5.44	4616	5.8	-	-	-	-
1188	4400	3844	3.93	3987	4.27	4126	4.62	4261	4.98	4392	5.34	4520	5.7	-	-	-	-	-	-
1242	4600	3886	4.16	4027	4.51	4163	4.87	4296	5.23	4426	5.6	-	-	-	-	-	-	-	-
1296	4800	3930	4.4	4069	4.76	4203	5.13	4334	5.5	4461	5.88	-	-	-	-	-	-	-	-
1350	5000	3974	4.65	4112	5.03	4245	5.4	4374	5.79	-	-	-	-	-	-	-	-	-	-
1404	5200	4020	4.91	4157	5.3	4288	5.69	-	-	-	-	-	-	-	-	-	-	-	-
1458	5400	4067	5.17	4202	5.58	-	-	-	-	-	-	-	-	-	-	-	-	-	-
1512	5600	4118	5.45	-	-	-	-	-	-	-	-	-	-	-	-	-	-	-	-
1566	5800	4164	5.74	-	-	-	-	-	-	-	-	-	-	-	-	-	-	-	-
1620	6000	-	-	-	-	-	-	-	-	-	-	-	-	-	-	-	-	-	-
1674	6200	-	-	-	-	-	-	-	-	-	-	-	-	-	-	-	-	-	-
1728	6400	-	-	-	-	-	-	-	-	-	-	-	-	-	-	-	-	-	-
1782	6600	-	-	-	-	-	-	-	-	-	-	-	-	-	-	-	-	-	-

Performance certified is for Installation Type D: ducted inlet, ducted outlet. Performance ratings do not include the effects of appurtenances. Power rating (BHP) does not include transmission losses. Bold data shows fans maximum static efficiency.

TYPE OT | 09 - 61



CFM	OV	STATIC PRESSURE																	
		0.5		1		1.5		2		2.5		3		3.5		4		4.5	
		RPM	BHP	RPM	BHP	RPM	BHP	RPM	BHP	RPM	BHP	RPM	BHP	RPM	BHP	RPM	BHP	RPM	BHP
440	1000	679	0.07	904	0.14	1084	0.22	1238	0.29	1376	0.38	1501	0.47	1618	0.56	1727	0.66	1829	0.76
528	1200	715	0.09	928	0.17	1104	0.26	1256	0.34	1391	0.44	1514	0.53	1628	0.63	1735	0.74	1837	0.85
616	1400	754	0.12	958	0.21	1127	0.3	1276	0.4	1410	0.5	1531	0.61	1643	0.71	1749	0.83	1848	0.94
704	1600	799	0.15	993	0.24	1155	0.35	1299	0.45	1430	0.57	1551	0.68	1662	0.8	1766	0.92	1864	1.05
792	1800	846	0.18	1030	0.29	1187	0.4	1326	0.52	1454	0.64	1572	0.76	1682	0.89	1785	1.03	1882	1.16
880	2000	897	0.23	1071	0.34	1223	0.46	1357	0.59	1481	0.72	1596	0.85	1704	0.99	1806	1.13	1902	1.28
968	2200	952	0.28	1115	0.4	1260	0.53	1392	0.67	1511	0.8	1623	0.95	1728	1.09	1828	1.24	1924	1.4
1056	2400	1009	0.34	1161	0.47	1301	0.61	1428	0.75	1545	0.9	1654	1.05	1756	1.21	1854	1.36	1947	1.53
1144	2600	1068	0.41	1210	0.54	1344	0.69	1467	0.84	1581	1	1687	1.17	1787	1.33	1882	1.5	1973	1.67
1232	2800	1129	0.5	1261	0.63	1389	0.78	1508	0.95	1619	1.12	1723	1.29	1821	1.46	1913	1.64	2002	1.82
1320	3000	1193	0.59	1315	0.73	1436	0.89	1551	1.06	1658	1.24	1760	1.42	1856	1.61	1947	1.79	2034	1.98
1408	3200	1258	0.7	1371	0.84	1485	1	1596	1.18	1700	1.37	1799	1.56	1893	1.76	1983	1.95	2068	2.15
1496	3400	1324	0.83	1428	0.97	1536	1.13	1642	1.32	1744	1.52	1839	1.71	1931	1.92	2019	2.13	2104	2.34
1584	3600	1392	0.97	1487	1.11	1589	1.28	1691	1.47	1789	1.67	1882	1.88	1971	2.09	2057	2.31	2140	2.53
1672	3800	1460	1.12	1547	1.26	1645	1.44	1741	1.63	1835	1.84	1927	2.06	2013	2.28	2097	2.51	2178	2.74
1760	4000	1529	1.3	1609	1.44	1701	1.61	1793	1.81	1883	2.03	1972	2.25	2057	2.48	2138	2.72	2217	2.95
1848	4200	1598	1.49	1673	1.63	1759	1.81	1846	2.01	1933	2.23	2019	2.46	2102	2.7	2182	2.94	2259	3.19
1936	4400	1668	1.7	1737	1.84	1817	2.02	1902	2.23	1985	2.44	2067	2.68	2148	2.93	2226	3.18	2302	3.44
2024	4600	1739	1.93	1803	2.08	1878	2.25	1958	2.46	2038	2.68	2117	2.92	2195	3.18	2272	3.44	2346	3.71
2112	4800	1809	2.18	1869	2.33	1939	2.51	2015	2.72	2092	2.94	2168	3.18	2244	3.44	2318	3.71	2391	3.99
2200	5000	1880	2.46	1937	2.6	2002	2.78	2074	2.99	2148	3.22	2221	3.47	2294	3.73	2366	4	2437	4.28

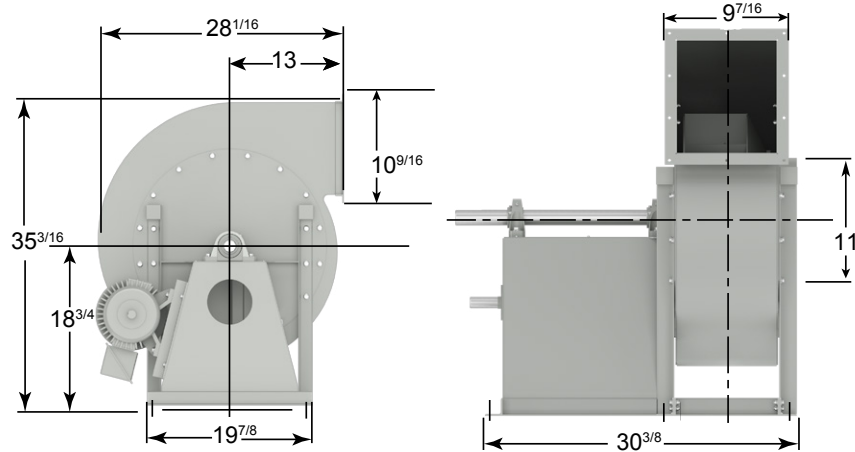
TYPE OT | 09 - 61

CFM	OV	5		5.5		6		7		7.5		8		8.5		9		18	
		RPM	BHP	RPM	BHP	RPM	BHP	RPM	BHP	RPM	BHP	RPM	BHP	RPM	BHP	RPM	BHP	RPM	BHP
616	1400	1943	1.06	2034	1.19	2121	1.31	2204	1.45	2285	1.58	2364	1.72	2439	1.86	2513	2	2585	2.14
704	1600	1957	1.17	2047	1.3	2132	1.44	2215	1.58	2295	1.72	2372	1.86	2447	2.01	2520	2.16	2591	2.31
792	1800	1975	1.3	2063	1.43	2147	1.58	2229	1.72	2308	1.87	2384	2.02	2458	2.17	2530	2.33	2600	2.49
880	2000	1994	1.43	2081	1.57	2165	1.72	2246	1.88	2324	2.03	2399	2.19	2472	2.35	2543	2.51	2612	2.68
968	2200	2014	1.56	2101	1.72	2184	1.88	2264	2.04	2342	2.21	2416	2.37	2489	2.54	2559	2.71	2627	2.89
1056	2400	2036	1.7	2122	1.87	2205	2.04	2284	2.21	2361	2.39	2435	2.57	2507	2.74	2577	2.92	2645	3.11
1144	2600	2061	1.84	2145	2.02	2227	2.2	2305	2.39	2382	2.58	2455	2.76	2527	2.95	2596	3.14	2664	3.34
1232	2800	2088	2	2170	2.19	2251	2.38	2328	2.57	2403	2.77	2476	2.97	2547	3.17	2616	3.37	2683	3.57
1320	3000	2118	2.17	2198	2.36	2277	2.56	2353	2.76	2427	2.97	2499	3.18	2569	3.39	2637	3.6	2704	3.81
1408	3200	2150	2.35	2229	2.55	2305	2.76	2380	2.97	2453	3.18	2524	3.4	2593	3.62	2660	3.84	2726	4.06
1496	3400	2184	2.55	2262	2.76	2337	2.97	2410	3.19	2481	3.41	2550	3.63	2618	3.86	2685	4.09	2750	4.32
1584	3600	2220	2.75	2296	2.97	2370	3.2	2442	3.42	2511	3.65	2579	3.88	2646	4.11	2711	4.35	2775	4.59
1672	3800	2256	2.97	2332	3.2	2405	3.44	2475	3.67	2544	3.91	2611	4.15	2676	4.39	2740	4.63	2803	4.88
1760	4000	2294	3.2	2369	3.44	2441	3.69	2510	3.93	2578	4.18	2644	4.43	2708	4.68	2771	4.93	2833	5.18
1848	4200	2333	3.44	2406	3.69	2478	3.95	2547	4.21	2613	4.46	2678	4.72	2742	4.98	2804	5.24	2864	5.51
1936	4400	2374	3.69	2446	3.96	2515	4.22	2583	4.49	2650	4.76	2714	5.03	2777	5.3	2838	5.57	2898	5.84
2024	4600	2417	3.97	2487	4.24	2555	4.51	2621	4.79	2687	5.07	2750	5.35	2812	5.64	2873	5.92	2932	6.2
2112	4800	2461	4.26	2529	4.54	2595	4.82	2661	5.11	2725	5.39	2788	5.69	2849	5.98	2909	6.27	2968	6.57
2200	5000	2506	4.57	2573	4.86	2638	5.15	2702	5.44	2764	5.74	2826	6.04	2886	6.34	2946	6.64	3004	6.95
2288	5200	2552	4.9	2618	5.2	2682	5.5	2744	5.8	2805	6.1	2866	6.4	2925	6.72	2983	7.03	3041	7.35
2376	5400	2598	5.24	2663	5.55	2726	5.86	2788	6.17	2848	6.48	2907	6.79	2965	7.11	3022	7.43	3079	7.76
2464	5600	2646	5.6	2709	5.92	2772	6.24	2832	6.56	2892	6.89	2949	7.21	3006	7.53	3062	7.86	3118	8.19
2552	5800	2695	5.99	2757	6.31	2818	6.64	2877	6.97	2936	7.31	2993	7.64	3049	7.97	3104	8.31	3158	8.65
2640	6000	2745	6.4	2805	6.73	2865	7.06	2923	7.4	2981	7.74	3037	8.09	3093	8.44	3147	8.78	3200	9.12
2728	6200	2797	6.84	2855	7.17	2913	7.51	2970	7.85	3027	8.2	3082	8.56	3137	8.92	3190	9.27	3243	9.63
2816	6400	2849	7.31	2906	7.64	2962	7.98	3018	8.33	3073	8.69	3128	9.05	3182	9.42	3235	9.78	3286	10.15
2904	6600	2903	7.81	2958	8.14	3012	8.48	3067	8.83	3121	9.2	3175	9.56	3227	9.94	3280	10.32	3331	10.69

CFM	OV	10		11		12		13		14		15		16		17		18	
		RPM	BHP	RPM	BHP	RPM	BHP	RPM	BHP	RPM	BHP	RPM	BHP	RPM	BHP	RPM	BHP	RPM	BHP
792	1800	2735	2.82	2864	3.16	2988	3.5	3107	3.86	3222	4.22	3333	4.6	3441	4.98	3545	5.37	3647	5.77
880	2000	2746	3.02	2873	3.37	2996	3.73	3114	4.11	3228	4.49	3338	4.87	3445	5.27	3549	5.67	3650	6.08
968	2200	2760	3.24	2886	3.6	3007	3.98	3124	4.36	3236	4.76	3346	5.16	3451	5.57	3554	5.99	3655	6.42
1056	2400	2776	3.48	2901	3.85	3021	4.24	3136	4.64	3248	5.04	3356	5.46	3461	5.88	3563	6.32	3662	6.76
1144	2600	2793	3.72	2917	4.12	3036	4.52	3151	4.93	3261	5.35	3368	5.78	3472	6.22	3573	6.66	3672	7.11
1232	2800	2813	3.98	2936	4.4	3054	4.82	3167	5.25	3277	5.68	3383	6.12	3486	6.57	3586	7.03	3684	7.49
1320	3000	2833	4.25	2955	4.68	3073	5.12	3185	5.57	3294	6.02	3400	6.48	3502	6.95	3601	7.42	3698	7.9
1408	3200	2853	4.51	2975	4.97	3092	5.44	3205	5.91	3313	6.38	3418	6.85	3519	7.34	3618	7.83	3714	8.32
1496	3400	2876	4.79	2996	5.27	3113	5.76	3225	6.25	3332	6.74	3436	7.24	3537	7.74	3636	8.25	3731	8.76
1584	3600	2899	5.08	3019	5.58	3134	6.08	3245	6.59	3352	7.11	3456	7.63	3557	8.15	3654	8.68	3749	9.21
1672	3800	2925	5.38	3043	5.9	3157	6.42	3267	6.95	3373	7.49	3477	8.03	3577	8.58	3674	9.12	3768	9.68
1760	4000	2952	5.7	3069	6.23	3181	6.77	3290	7.32	3395	7.87	3498	8.43	3597	9	3694	9.57	3788	10.15
1848	4200	2982	6.04	3096	6.58	3207	7.13	3314	7.7	3419	8.27	3520	8.85	3619	9.44	3715	10.03	3809	10.63
1936	4400	3014	6.39	3126	6.95	3234	7.52	3340	8.1	3443	8.68	3544	9.28	3641	9.88	3737	10.49	3830	11.11
2024	4600	3047	6.77	3157	7.34	3264	7.92	3368	8.51	3470	9.12	3569	9.73	3665	10.35	3760	10.98	3852	11.61
2112	4800	3081	7.16	3190	7.75	3295	8.35	3398	8.95	3498	9.57	3595	10.2	3691	10.83	3784	11.47	3875	12.12
2200	5000	3116	7.56	3224	8.18	3328	8.79	3429	9.42	3528	10.05	3624	10.68	3718	11.33	3810	11.99	3900	12.66
2288	5200	3152	7.98	3259	8.62	3362	9.26	3462	9.9	3559	10.54	3654	11.2	3746	11.86	3837	12.53	3926	13.21
2376	5400	3189	8.42	3295	9.08	3397	9.74	3496	10.4	3592	11.06	3685	11.73	3777	12.41	3866	13.09	3954	13.79
2464	5600	3226	8.87	3331	9.55	3432	10.23	3530	10.92	3625	11.6	3718	12.29	3808	12.98	3897	13.68	3983	14.39
2552	5800	3264	9.34	3368	10.04	3469	10.74	3566	11.45	3660	12.16	3752	12.87	3841	13.58	3928	14.29	4014	15.02
2640	6000	3304	9.83	3406	10.54	3505	11.27	3602	12	3695	12.73	3786	13.46	3875	14.19	3961	14.93	4046	15.67
2728	6200	3345	10.34	3445	11.07	3543	11.82	3639	12.57	3731	13.32	3822	14.08	3909	14.83	3995	15.58	4079	16.34
2816	6400	3387	10.88	3485	11.63	3582	12.38	3676	13.15	3768	13.93	3858	14.71	3945	15.48	4030	16.26	4113	17.04
2904	6600	3430	11.45	3527	12.21	3621	12.98	3714	13.76	3805	14.55	3894	15.35	3981	16.15	4065	16.95	4147	17.75

Performance certified is for Installation Type D: ducted inlet, ducted outlet. Performance ratings do not include the effects of appurtenances. Power rating (BHP) does not include transmission losses. Bold data shows fans maximum static efficiency.

TYPE OT | 11 - 61



CFM	OV	STATIC PRESSURE																	
		1		1.5		2		2.5		3		3.5		4		5		6	
		RPM	BHP	RPM	BHP	RPM	BHP	RPM	BHP	RPM	BHP	RPM	BHP	RPM	BHP	RPM	BHP	RPM	BHP
660	1000	712	0.18	856	0.28	979	0.38	1088	0.48	1186	0.58	1278	0.69	1363	0.8	1519	1.04	1662	1.3
792	1200	730	0.22	870	0.33	991	0.44	1099	0.56	1197	0.68	1287	0.8	1372	0.93	1526	1.18	1667	1.45
924	1400	753	0.27	888	0.38	1006	0.51	1112	0.64	1209	0.78	1299	0.92	1383	1.06	1536	1.34	1675	1.63
1056	1600	780	0.32	908	0.45	1023	0.58	1127	0.73	1222	0.87	1311	1.03	1394	1.18	1547	1.5	1686	1.83
1188	1800	812	0.38	933	0.52	1043	0.67	1145	0.82	1239	0.98	1326	1.14	1407	1.31	1559	1.66	1697	2.02
1320	2000	847	0.46	962	0.6	1066	0.76	1165	0.93	1257	1.1	1343	1.27	1423	1.45	1572	1.82	1709	2.21
1452	2200	883	0.54	994	0.7	1094	0.87	1187	1.04	1276	1.22	1361	1.41	1440	1.6	1587	2	1722	2.4
1584	2400	921	0.63	1028	0.81	1124	0.98	1214	1.17	1299	1.36	1381	1.56	1459	1.76	1604	2.18	1737	2.61
1716	2600	960	0.74	1064	0.93	1157	1.12	1243	1.31	1325	1.51	1404	1.72	1480	1.93	1622	2.37	1754	2.83
1848	2800	1001	0.86	1101	1.06	1192	1.26	1275	1.47	1354	1.68	1430	1.9	1503	2.12	1642	2.58	1772	3.06
1980	3000	1043	0.99	1139	1.21	1227	1.42	1309	1.64	1386	1.86	1459	2.09	1529	2.32	1664	2.8	1791	3.31
2112	3200	1086	1.14	1179	1.37	1264	1.6	1344	1.83	1419	2.07	1490	2.3	1558	2.55	1688	3.04	1812	3.56
2244	3400	1130	1.31	1219	1.55	1303	1.79	1380	2.04	1453	2.29	1523	2.53	1589	2.79	1715	3.3	1835	3.84
2376	3600	1174	1.49	1261	1.74	1342	2	1417	2.26	1489	2.52	1557	2.78	1622	3.05	1744	3.59	1861	4.14
2508	3800	1220	1.69	1303	1.96	1382	2.33	1456	2.5	1526	2.78	1592	3.05	1655	3.33	1775	3.89	1889	4.46
2640	4000	1266	1.91	1347	2.19	1423	2.48	1495	2.76	1563	3.05	1628	3.34	1690	3.63	1808	4.21	1918	4.81
2772	4200	1313	2.16	1391	2.45	1465	2.74	1535	3.04	1601	3.34	1665	3.64	1726	3.95	1841	4.56	1950	5.18
2904	4400	1361	2.42	1436	2.72	1507	3.03	1575	3.34	1640	3.66	1703	3.97	1763	4.29	1876	4.93	1982	5.57
3036	4600	1409	2.71	1481	3.02	1550	3.34	1617	3.67	1680	3.99	1741	4.32	1800	4.65	1911	5.32	2016	5.98
3168	4800	1458	3.02	1527	3.35	1594	3.68	1659	4.02	1721	4.36	1781	4.7	1838	5.04	1948	5.73	2050	6.42
3300	5000	1507	3.36	1574	3.69	1639	4.04	1702	4.39	1762	4.74	1821	5.09	1877	5.45	1984	6.17	2086	6.89

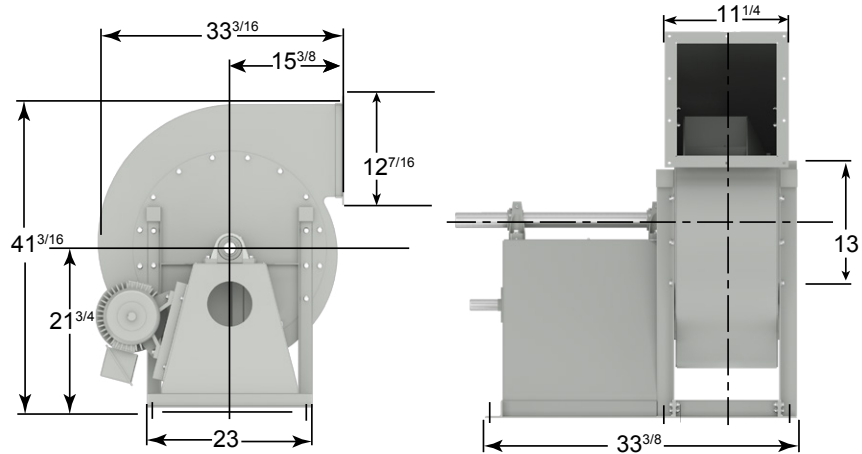
TYPE OT | 11 - 61

CFM	OV	7		8		9		10		11		12		13		14		15	
		RPM	BHP	RPM	BHP	RPM	BHP	RPM	BHP	RPM	BHP	RPM	BHP	RPM	BHP	RPM	BHP	RPM	BHP
924	1400	1804	1.94	1925	2.25	2038	2.58	2146	2.93	2249	3.29	2347	3.66	2442	4.05	2533	4.44	2622	4.85
1056	1600	1813	2.15	1933	2.49	2045	2.84	2152	3.19	2253	3.56	2351	3.95	2445	4.34	2535	4.75	2623	5.17
1188	1800	1824	2.38	1943	2.75	2054	3.12	2160	3.49	2261	3.88	2358	4.28	2450	4.68	2540	5.1	2626	5.53
1320	2000	1836	2.6	1954	3.01	2065	3.41	2170	3.81	2270	4.22	2366	4.64	2458	5.06	2547	5.5	2633	5.94
1452	2200	1848	2.83	1965	3.26	2076	3.7	2181	4.14	2281	4.58	2376	5.02	2468	5.47	2556	5.93	2641	6.39
1584	2400	1861	3.05	1978	3.51	2088	3.98	2192	4.45	2292	4.93	2387	5.41	2478	5.89	2566	6.38	2651	6.87
1716	2600	1877	3.3	1991	3.78	2100	4.27	2204	4.77	2303	5.28	2398	5.79	2489	6.31	2577	6.83	2661	7.35
1848	2800	1893	3.55	2007	4.05	2114	4.57	2217	5.09	2316	5.63	2410	6.17	2501	6.72	2588	7.27	2672	7.83
1980	3000	1911	3.82	2024	4.34	2130	4.88	2232	5.43	2329	5.99	2423	6.55	2513	7.13	2600	7.71	2684	8.3
2112	3200	1930	4.1	2042	4.65	2147	5.22	2248	5.78	2344	6.36	2436	6.95	2526	7.55	2612	8.16	2696	8.77
2244	3400	1950	4.4	2060	4.97	2165	5.56	2265	6.15	2360	6.76	2452	7.36	2540	7.98	2626	8.61	2709	9.25
2376	3600	1973	4.72	2080	5.31	2184	5.92	2283	6.54	2378	7.17	2469	7.8	2556	8.44	2640	9.09	2723	9.75
2508	3800	1997	5.06	2102	5.67	2204	6.3	2301	6.94	2395	7.59	2486	8.25	2573	8.92	2657	9.59	2738	10.27
2640	4000	2024	5.42	2126	6.05	2225	6.7	2321	7.36	2414	8.03	2504	8.71	2590	9.41	2674	10.1	2755	10.81
2772	4200	2053	5.81	2153	6.45	2249	7.12	2343	7.8	2434	8.49	2522	9.2	2608	9.91	2691	10.64	2772	11.37
2904	4400	2083	6.22	2181	6.89	2275	7.57	2366	8.26	2456	8.98	2543	9.7	2627	10.44	2709	11.19	2789	11.94
3036	4600	2115	6.66	2218	7.34	2302	8.04	2391	8.76	2479	9.49	2564	10.23	2647	10.99	2728	11.76	2807	12.53
3168	4800	2148	7.12	2241	7.83	2331	8.55	2419	9.28	2504	10.03	2587	10.79	2669	11.56	2749	12.35	2827	13.15
3300	5000	2181	7.61	2273	8.34	2361	9.08	2447	9.83	2531	10.59	2612	11.37	2692	12.17	2771	12.97	2847	13.79
3432	5200	2216	8.13	2306	8.88	2393	9.64	2477	10.41	2559	11.19	2639	11.99	2717	12.8	2794	13.62	2869	14.46
3564	5400	2251	8.67	2340	9.45	2426	10.23	2508	11.02	2588	11.83	2667	12.64	2743	13.46	2819	14.3	2893	15.16
3696	5600	2287	9.24	2375	10.04	2459	10.85	2540	11.66	2619	12.49	2696	13.32	2771	14.16	2845	15.02	2918	15.89
3828	5800	2324	9.83	2410	10.66	2493	11.5	2573	12.34	2651	13.18	2727	14.03	2801	14.9	2873	15.77	2944	16.66
3960	6000	2361	10.46	2446	11.32	2528	12.18	2607	13.04	2684	13.91	2758	14.78	2831	15.66	2902	16.56	2972	17.46
4092	6200	2398	11.11	2483	12	2564	12.88	2642	13.77	2717	14.66	2790	15.56	2862	16.46	2932	17.38	3001	18.3
4224	6400	2437	11.8	2520	12.71	2599	13.62	2677	14.54	2751	15.45	2824	16.37	2894	17.3	2963	18.23	3031	19.17
4356	6600	2475	12.52	2557	13.45	2636	14.39	2712	15.33	2786	16.27	2857	17.22	2927	18.17	2995	19.12	3062	20.09

CFM	OV	16		17		18		20		22		24		26		28		30	
		RPM	BHP	RPM	BHP	RPM	BHP	RPM	BHP	RPM	BHP	RPM	BHP	RPM	BHP	RPM	BHP	RPM	BHP
1716	2600	2743	7.87	2823	8.4	2900	8.93	3048	10	3189	11.09	3325	12.21	3455	13.36	3580	14.54	3701	15.75
1848	2800	2754	8.39	2833	8.95	2910	9.51	3058	10.63	3198	11.78	3333	12.94	3462	14.12	3587	15.33	3707	16.56
1980	3000	2765	8.89	2844	9.49	2921	10.09	3068	11.28	3208	12.48	3342	13.69	3471	14.92	3595	16.16	3714	17.43
2112	3200	2777	9.4	2856	10.02	2932	10.65	3079	11.92	3219	13.19	3352	14.46	3480	15.74	3604	17.04	3723	18.35
2244	3400	2789	9.9	2868	10.56	2944	11.21	3090	12.54	3230	13.89	3363	15.23	3491	16.58	3614	17.93	3732	19.29
2376	3600	2802	10.42	2880	11.1	2956	11.78	3102	13.17	3241	14.57	3374	15.99	3501	17.41	3624	18.83	3742	20.25
2508	3800	2817	10.96	2894	11.65	2969	12.36	3114	13.8	3252	15.26	3385	16.73	3512	18.22	3635	19.71	3753	21.21
2640	4000	2833	11.52	2909	12.24	2983	12.96	3127	14.44	3265	15.95	3397	17.48	3523	19.03	3646	20.59	3764	22.15
2772	4200	2850	12.1	2925	12.84	2999	13.59	3141	15.11	3278	16.66	3409	18.24	3535	19.84	3657	21.45	3774	23.08
2904	4400	2867	12.7	2942	13.47	3015	14.24	3157	15.3	3292	17.39	3422	19.01	3547	20.66	3669	22.33	3786	24.01
3036	4600	2884	13.32	2959	14.11	3032	14.91	3173	16.51	3307	18.14	3436	19.8	3560	21.49	3681	23.21	3797	24.94
3168	4800	2903	13.95	2977	14.77	3050	15.59	3190	17.25	3323	18.93	3451	20.63	3574	22.35	3694	24.11	3810	25.89
3300	5000	2923	14.62	2996	15.45	3068	16.3	3207	18	3340	19.73	3467	21.48	3590	23.24	3708	25.04	3823	26.86
3432	5200	2943	15.3	3016	16.16	3087	17.03	3225	18.78	3357	20.56	3484	22.35	3606	24.17	3723	26	3837	27.85
3564	5400	2965	16.02	3037	16.9	3107	17.78	3243	19.58	3375	21.4	3501	23.25	3622	25.11	3739	26.99	3853	28.88
3696	5600	2989	16.77	3059	17.66	3128	18.57	3263	20.4	3393	22.27	3518	24.16	3639	26.07	3756	28	3869	29.95
3828	5800	3014	17.55	3083	18.46	3151	19.38	3283	21.26	3412	23.17	3536	25.1	3656	27.06	3773	29.04	3885	31.03
3960	6000	3040	18.37	3108	19.3	3175	20.24	3305	22.14	3432	24.09	3555	26.07	3674	28.07	3790	30.1	3902	32.14
4092	6200	3068	19.23	3135	20.17	3200	21.13	3328	23.07	3453	25.05	3575	27.07	3693	29.11	3808	31.18	3919	33.27
4224	6400	3097	20.12	3162	21.08	3227	22.05	3353	24.03	3476	26.04	3596	28.1	3712	30.18	3826	32.29	3936	34.43
4356	6600	3127	21.05	3191	22.03	3254	23.02	3378	25.03	3499	27.07	3617	29.16	3733	31.28	3845	33.44	3955	35.61
4488	6800	3158	22.02	3221	23.02	3283	24.03	3405	26.07	3524	28.14	3640	30.26	3754	32.42	3865	34.61	3974	36.83
4620	7000	3189	23.03	3252	24.05	3313	25.07	3433	27.15	3550	29.26	3665	31.41	3777	33.6	3886	35.82	3994	38.08
4752	7200	3222	24.07	3283	25.11	3344	26.16	3462	28.27	3577	30.42	3690	32.6	3800	34.82	3908	37.08	-	-
4884	7400	3255	25.16	3316	26.22	3375	27.28	3492	29.44	3606	31.62	3717	33.83	3825	36.08	3932	38.37	-	-

Performance certified is for Installation Type D: ducted inlet, ducted outlet. Performance ratings do not include the effects of appurtenances. Power rating (BHP) does not include transmission losses. Bold data shows fans maximum static efficiency.

TYPE OT | 13 - 61



CFM	OV	STATIC PRESSURE																	
		1		1.5		2		2.5		3		3.5		4		5		6	
		RPM	BHP	RPM	BHP	RPM	BHP	RPM	BHP	RPM	BHP	RPM	BHP	RPM	BHP	RPM	BHP	RPM	BHP
930	1000	602	0.25	723	0.39	827	0.53	919	0.67	1003	0.82	1080	0.97	1152	1.12	1284	1.46	1405	1.83
1116	1200	617	0.31	736	0.46	838	0.62	929	0.78	1012	0.95	1088	1.12	1159	1.3	1290	1.65	1409	2.03
1302	1400	636	0.37	750	0.54	850	0.71	940	0.9	1022	1.09	1098	1.28	1169	1.48	1298	1.88	1416	2.28
1488	1600	660	0.45	768	0.63	865	0.82	953	1.02	1033	1.22	1108	1.44	1179	1.66	1308	2.1	1425	2.56
1674	1800	686	0.53	788	0.73	882	0.93	968	1.15	1047	1.37	1121	1.6	1190	1.84	1318	2.32	1434	2.83
1860	2000	716	0.64	813	0.85	901	1.06	984	1.3	1062	1.54	1135	1.78	1203	2.03	1329	2.55	1445	3.09
2046	2200	746	0.75	840	0.98	924	1.21	1004	1.46	1079	1.71	1150	1.97	1218	2.24	1342	2.79	1456	3.36
2232	2400	778	0.89	869	1.13	950	1.38	1026	1.63	1098	1.9	1167	2.18	1233	2.46	1356	3.05	1469	3.65
2418	2600	812	1.03	899	1.3	978	1.56	1051	1.84	1120	2.12	1187	2.41	1251	2.7	1371	3.32	1483	3.96
2604	2800	846	1.2	931	1.48	1007	1.77	1078	2.06	1145	2.35	1209	2.65	1270	2.96	1388	3.61	1498	4.28
2790	3000	881	1.39	963	1.69	1038	1.99	1107	2.3	1171	2.61	1233	2.93	1293	3.25	1407	3.92	1514	4.63
2976	3200	918	1.6	996	1.92	1069	2.24	1136	2.56	1199	2.89	1259	3.22	1317	3.56	1427	4.26	1532	4.99
3162	3400	955	1.83	1031	2.17	1101	2.51	1167	2.85	1229	3.2	1287	3.55	1343	3.9	1450	4.62	1551	5.38
3348	3600	993	2.09	1066	2.44	1134	2.8	1198	3.16	1259	3.53	1316	3.9	1371	4.26	1475	5.02	1573	5.8
3534	3800	1031	2.37	1102	2.74	1168	3.12	1230	3.5	1290	3.88	1346	4.27	1399	4.66	1501	5.44	1597	6.25
3720	4000	1070	2.68	1138	3.07	1203	3.47	1263	3.86	1321	4.27	1376	4.67	1429	5.08	1528	5.9	1622	6.73
3906	4200	1110	3.02	1176	3.43	1238	3.84	1297	4.26	1354	4.68	1407	5.1	1459	5.53	1557	6.38	1648	7.24
4092	4400	1150	3.39	1214	3.81	1274	4.24	1332	4.68	1387	5.12	1439	5.56	1490	6	1586	6.89	1676	7.79
4278	4600	1191	3.79	1252	4.23	1311	4.68	1367	5.13	1420	5.59	1472	6.05	1522	6.51	1616	7.44	1704	8.37
4464	4800	1232	4.23	1291	4.68	1348	5.15	1402	5.62	1455	6.1	1505	6.57	1554	7.05	1646	8.02	1733	8.99
4650	5000	1274	4.7	1330	5.17	1385	5.65	1438	6.14	1490	6.63	1539	7.13	1587	7.63	1677	8.63	1763	9.64

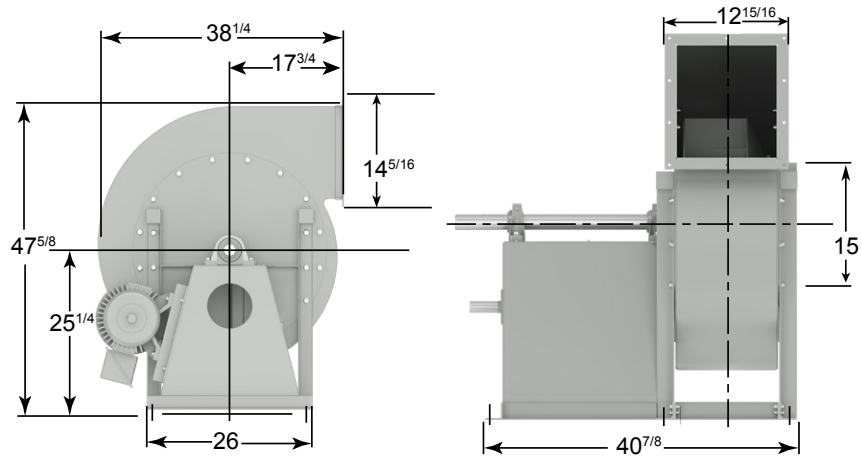
TYPE OT | 13 - 61

CFM	OV	7		8		9		10		11		12		13		14		15	
		RPM	BHP	RPM	BHP	RPM	BHP	RPM	BHP	RPM	BHP	RPM	BHP	RPM	BHP	RPM	BHP	RPM	BHP
1302	1400	1525	2.71	1627	3.15	1723	3.61	1814	4.1	1901	4.6	1984	5.13	2064	5.67	2141	6.22	2216	6.79
1488	1600	1533	3.01	1634	3.48	1729	3.97	1819	4.47	1905	4.99	1987	5.52	2066	6.08	2143	6.65	2217	7.24
1674	1800	1542	3.33	1642	3.84	1736	4.36	1826	4.89	1911	5.43	1993	5.98	2071	6.55	2147	7.14	2220	7.74
1860	2000	1552	3.65	1651	4.21	1745	4.77	1834	5.34	1919	5.91	2000	6.49	2078	7.09	2153	7.69	2226	8.31
2046	2200	1562	3.96	1661	4.56	1755	5.17	1843	5.79	1928	6.41	2008	7.03	2086	7.66	2161	8.3	2233	8.94
2232	2400	1573	4.28	1672	4.92	1765	5.57	1853	6.23	1937	6.9	2018	7.58	2095	8.25	2169	8.93	2241	9.61
2418	2600	1586	4.61	1683	5.28	1775	5.97	1863	6.68	1947	7.39	2027	8.11	2104	8.83	2178	9.56	2250	10.29
2604	2800	1601	4.97	1697	5.67	1787	6.39	1874	7.13	1957	7.88	2037	8.64	2114	9.41	2188	10.18	2259	10.96
2790	3000	1615	5.35	1711	6.09	1801	6.83	1886	7.6	1969	8.38	2048	9.17	2124	9.98	2198	10.8	2269	11.62
2976	3200	1631	5.74	1726	6.51	1815	7.3	1900	8.09	1981	8.9	2059	9.73	2135	10.57	2208	11.42	2279	12.28
3162	3400	1649	6.16	1742	6.96	1830	7.78	1915	8.61	1995	9.46	2073	10.31	2147	11.17	2219	12.06	2290	12.95
3348	3600	1668	6.6	1759	7.43	1846	8.28	1930	9.15	2010	10.03	2087	10.92	2161	11.81	2232	12.72	2301	13.64
3534	3800	1688	7.08	1777	7.93	1863	8.81	1945	9.71	2025	10.62	2101	11.54	2175	12.48	2246	13.42	2314	14.37
3720	4000	1711	7.59	1797	8.47	1881	9.37	1962	10.3	2041	11.24	2116	12.2	2189	13.16	2260	14.14	2328	15.13
3906	4200	1735	8.13	1820	9.03	1901	9.96	1980	10.91	2057	11.89	2132	12.87	2205	13.87	2275	14.88	2343	15.91
4092	4400	1761	8.71	1843	9.64	1923	10.59	2000	11.57	2076	12.56	2149	13.58	2221	14.61	2290	15.65	2358	16.71
4278	4600	1788	9.32	1868	10.28	1946	11.26	2022	12.26	2095	13.28	2167	14.32	2238	15.38	2306	16.45	2373	17.54
4464	4800	1815	9.97	1894	10.96	1970	11.96	2044	12.99	2116	14.03	2187	15.1	2256	16.18	2324	17.28	2389	18.4
4650	5000	1844	10.65	1921	11.67	1996	12.71	2069	13.76	2139	14.83	2208	15.92	2276	17.03	2342	18.15	2407	19.3
4836	5200	1873	11.37	1949	12.43	2023	13.49	2094	14.57	2163	15.67	2231	16.78	2297	17.91	2362	19.06	2425	20.23
5022	5400	1903	12.13	1978	13.22	2050	14.32	2120	15.43	2188	16.55	2254	17.69	2319	18.84	2383	20.02	2445	21.21
5208	5600	1933	12.93	2007	14.05	2079	15.18	2147	16.32	2214	17.48	2279	18.64	2343	19.82	2405	21.02	2466	22.24
5394	5800	1964	13.76	2037	14.92	2108	16.09	2175	17.26	2241	18.45	2305	19.64	2367	20.85	2428	22.07	2489	23.31
5580	6000	1996	14.64	2068	15.84	2137	17.04	2204	18.25	2268	19.46	2331	20.69	2393	21.92	2453	23.17	2512	24.43
5766	6200	2027	15.55	2099	16.79	2167	18.03	2233	19.27	2297	20.52	2359	21.78	2419	23.04	2478	24.32	2537	25.61
5952	6400	2060	16.51	2130	17.79	2197	19.06	2263	20.34	2326	21.63	2387	22.91	2446	24.21	2505	25.52	2562	26.83
6138	6600	2092	17.52	2162	18.83	2228	20.14	2293	21.46	2355	22.78	2415	24.1	2474	25.43	2532	26.76	2588	28.11

CFM	OV	16		17		18		20		22		24		26		28		30	
		RPM	BHP	RPM	BHP	RPM	BHP	RPM	BHP	RPM	BHP	RPM	BHP	RPM	BHP	RPM	BHP	RPM	BHP
2418	2600	2319	11.02	2386	11.75	2451	12.49	2577	13.99	2696	15.52	2810	17.09	2920	18.7	3026	20.35	3129	22.04
2604	2800	2328	11.74	2395	12.52	2460	13.31	2585	14.88	2704	16.48	2817	18.11	2927	19.76	3032	21.45	3134	23.17
2790	3000	2338	12.45	2404	13.28	2469	14.11	2594	15.78	2712	17.46	2825	19.16	2934	20.88	3039	22.62	3140	24.4
2976	3200	2347	13.15	2414	14.03	2479	14.91	2603	16.68	2721	18.46	2834	20.24	2942	22.03	3046	23.84	3147	25.68
3162	3400	2358	13.86	2424	14.77	2488	15.69	2612	17.56	2730	19.43	2843	21.32	2951	23.2	3055	25.09	3155	27
3348	3600	2369	14.58	2435	15.53	2499	16.49	2622	18.43	2740	20.39	2852	22.37	2960	24.36	3063	26.35	3163	28.34
3534	3800	2381	15.33	2446	16.31	2510	17.3	2632	19.31	2749	21.35	2861	23.42	2969	25.5	3072	27.59	3172	29.68
3720	4000	2395	16.12	2459	17.12	2522	18.14	2643	20.21	2760	22.32	2871	24.47	2978	26.63	3082	28.81	3181	31
3906	4200	2409	16.94	2473	17.97	2535	19.02	2655	21.14	2771	23.31	2881	25.52	2988	27.76	3091	30.02	3191	32.3
4092	4400	2423	17.77	2487	18.85	2549	19.93	2668	22.11	2782	24.33	2892	26.6	2999	28.91	3101	31.24	3200	33.6
4278	4600	2438	18.64	2502	19.74	2563	20.86	2682	23.11	2795	25.39	2904	27.71	3010	30.08	3111	32.48	3210	34.91
4464	4800	2454	19.53	2517	20.67	2578	21.82	2696	24.14	2809	26.49	2917	28.86	3021	31.28	3123	33.74	3221	36.23
4650	5000	2470	20.45	2533	21.62	2593	22.81	2711	25.2	2823	27.62	2931	30.06	3034	32.53	3134	35.04	3232	37.59
4836	5200	2488	21.42	2549	22.62	2609	23.83	2726	26.28	2838	28.77	2945	31.28	3048	33.82	3147	36.38	3244	38.98
5022	5400	2507	22.42	2567	23.65	2626	24.88	2742	27.4	2853	29.95	2959	32.53	3062	35.14	3161	37.77	3257	40.42
5208	5600	2527	23.47	2586	24.72	2644	25.98	2758	28.55	2868	31.17	2974	33.81	3076	36.49	3175	39.19	3270	41.91
5394	5800	2548	24.56	2606	25.84	2663	27.13	2776	29.75	2884	32.42	2989	35.13	3091	37.87	3189	40.64	3284	43.43
5580	6000	2570	25.71	2627	27.01	2684	28.32	2794	30.99	2901	33.71	3005	36.48	3106	39.29	3204	42.12	3298	44.98
5766	6200	2594	26.91	2650	28.23	2705	29.56	2813	32.28	2919	35.06	3022	37.88	3122	40.74	3219	43.64	3313	46.56
5952	6400	2618	28.16	2673	29.51	2727	30.86	2834	33.62	2938	36.45	3039	39.32	3138	42.24	3234	45.19	3328	48.18
6138	6600	2643	29.47	2698	30.84	2751	32.22	2856	35.02	2958	37.89	3058	40.81	3155	43.78	3250	46.79	3343	49.84
6324	6800	2669	30.82	2723	32.22	2775	33.63	2878	36.48	2979	39.39	3077	42.36	3173	45.38	3267	48.44	3359	51.54
6510	7000	2696	32.23	2749	33.65	2801	35.09	2902	37.99	3001	40.95	3098	43.96	3192	47.02	3285	50.14	3376	53.29
6696	7200	2723	33.69	2776	35.15	2827	36.61	2927	39.57	3024	42.57	3119	45.62	3212	48.73	3304	51.89	-	-
6882	7400	2751	35.21	2803	36.9	2853	38.18	2952	41.19	3048	44.25	3142	47.35	3233	50.5	3323	53.7	-	-

Performance certified is for Installation Type D: ducted inlet, ducted outlet. Performance ratings do not include the effects of appurtenances. Power rating (BHP) does not include transmission losses. Bold data shows fans maximum static efficiency.

TYPE OT | 15 - 61



CFM	OV	STATIC PRESSURE																	
		1		1.5		2		2.5		3		3.5		4		5		6	
		RPM	BHP	RPM	BHP	RPM	BHP	RPM	BHP	RPM	BHP	RPM	BHP	RPM	BHP	RPM	BHP	RPM	BHP
1240	1000	522	0.34	627	0.52	717	0.7	796	0.89	868	1.09	935	1.29	998	1.5	1112	1.95	1217	2.43
1488	1200	535	0.41	637	0.61	725	0.82	805	1.04	876	1.27	942	1.5	1004	1.73	1117	2.21	1220	2.71
1736	1400	551	0.5	650	0.72	736	0.95	814	1.19	885	1.45	951	1.71	1012	1.97	1124	2.5	1227	3.05
1984	1600	571	0.6	665	0.83	749	1.09	825	1.36	895	1.63	960	1.92	1021	2.21	1133	2.8	1234	3.41
2232	1800	595	0.71	683	0.97	764	1.25	838	1.53	907	1.83	970	2.14	1030	2.45	1141	3.1	1242	3.77
2480	2000	620	0.85	704	1.13	781	1.42	853	1.73	920	2.05	983	2.38	1042	2.71	1151	3.4	1251	4.12
2728	2200	646	1	727	1.31	801	1.62	869	1.94	934	2.28	996	2.63	1054	2.99	1162	3.72	1261	4.49
2976	2400	674	1.18	752	1.51	823	1.84	889	2.18	951	2.54	1011	2.91	1068	3.29	1175	4.07	1272	4.87
3224	2600	703	1.38	779	1.73	847	2.08	910	2.45	970	2.82	1028	3.21	1083	3.61	1188	4.43	1284	5.28
3472	2800	733	1.6	806	1.98	872	2.36	934	2.74	991	3.13	1047	3.54	1100	3.95	1202	4.82	1297	5.71
3720	3000	763	1.85	834	2.25	899	2.66	958	3.07	1014	3.48	1068	3.9	1119	4.33	1218	5.23	1311	6.17
3968	3200	795	2.13	863	2.56	926	2.99	984	3.42	1039	3.86	1091	4.3	1141	4.75	1236	5.68	1327	6.65
4216	3400	827	2.44	893	2.89	954	3.34	1010	3.8	1064	4.26	1115	4.73	1163	5.2	1256	6.17	1344	7.17
4464	3600	860	2.78	923	3.26	982	3.73	1038	4.22	1090	4.71	1140	5.19	1187	5.69	1277	6.69	1362	7.73
4712	3800	893	3.16	954	3.66	1012	4.16	1066	4.67	1117	5.18	1165	5.69	1212	6.21	1300	7.26	1383	8.33
4960	4000	927	3.57	986	4.09	1042	4.62	1094	5.15	1144	5.69	1192	6.23	1237	6.77	1323	7.86	1404	8.97
5208	4200	961	4.03	1018	4.57	1072	5.12	1123	5.68	1172	6.24	1219	6.8	1264	7.37	1348	8.51	1427	9.66
5456	4400	996	4.52	1051	5.08	1103	5.66	1153	6.24	1201	6.82	1247	7.41	1290	8	1373	9.19	1451	10.39
5704	4600	1032	5.05	1084	5.64	1135	6.24	1184	6.84	1230	7.45	1275	8.07	1318	8.68	1399	9.92	1476	11.17
5952	4800	1067	5.64	1118	6.24	1167	6.87	1214	7.49	1260	8.13	1303	8.76	1346	9.4	1426	10.69	1501	11.99
6200	5000	1103	6.26	1152	6.89	1200	7.54	1246	8.19	1290	8.85	1333	9.51	1374	10.17	1453	11.51	1527	12.85

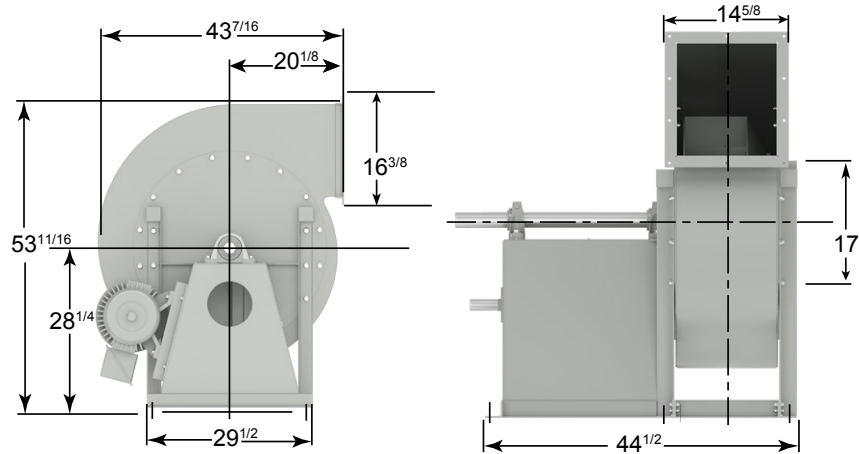
TYPE OT | 15 - 61

CFM	OV	7		8		9		10		11		12		13		14		15	
		RPM	BHP	RPM	BHP	RPM	BHP	RPM	BHP	RPM	BHP	RPM	BHP	RPM	BHP	RPM	BHP	RPM	BHP
1736	1400	1321	3.61	1409	4.2	1492	4.82	1571	5.47	1646	6.14	1718	6.84	1788	7.55	1855	8.29	1919	9.05
1984	1600	1328	4.02	1415	4.65	1497	5.29	1575	5.96	1650	6.65	1721	7.36	1790	8.1	1856	8.86	1920	9.65
2232	1800	1335	4.44	1422	5.12	1504	5.81	1581	6.52	1655	7.24	1726	7.98	1794	8.74	1859	9.51	1923	10.32
2480	2000	1344	4.86	1430	5.61	1512	6.36	1589	7.12	1662	7.88	1732	8.66	1800	9.45	1865	10.26	1928	11.08
2728	2200	1353	5.27	1439	6.08	1520	6.9	1596	7.72	1670	8.55	1739	9.38	1806	10.21	1871	11.06	1934	11.92
2976	2400	1362	5.7	1448	6.56	1528	7.43	1605	8.31	1678	9.21	1747	10.1	1814	11	1878	11.9	1941	12.81
3224	2600	1374	6.15	1458	7.05	1538	7.96	1614	8.9	1686	9.85	1756	10.81	1822	11.78	1886	12.75	1948	13.72
3472	2800	1386	6.63	1469	7.57	1548	8.52	1623	9.5	1695	10.5	1764	11.52	1831	12.54	1895	13.57	1956	14.61
3720	3000	1399	7.13	1482	8.11	1560	9.11	1634	10.13	1705	11.17	1773	12.23	1839	13.31	1903	14.39	1965	15.49
3968	3200	1413	7.66	1495	8.68	1572	9.73	1646	10.79	1716	11.87	1784	12.97	1849	14.09	1912	15.22	1973	16.37
4216	3400	1428	8.21	1508	9.28	1585	10.37	1658	11.48	1728	12.61	1795	13.74	1859	14.9	1922	16.07	1983	17.27
4464	3600	1444	8.8	1523	9.91	1599	11.05	1671	12.2	1740	13.37	1807	14.55	1871	15.75	1933	16.96	1993	18.19
4712	3800	1462	9.44	1539	10.58	1613	11.75	1685	12.95	1753	14.16	1820	15.39	1883	16.64	1945	17.89	2004	19.16
4960	4000	1482	10.11	1557	11.29	1629	12.49	1699	13.73	1767	14.99	1833	16.26	1896	17.55	1957	18.85	2017	20.17
5208	4200	1503	10.84	1576	12.04	1646	13.28	1715	14.55	1782	15.85	1847	17.16	1909	18.5	1970	19.85	2029	21.21
5456	4400	1525	11.61	1596	12.85	1665	14.12	1732	15.42	1798	16.75	1861	18.11	1923	19.48	1983	20.87	2042	22.28
5704	4600	1548	12.42	1618	13.7	1685	15.01	1751	16.34	1815	17.7	1877	19.09	1938	20.5	1997	21.94	2055	23.39
5952	4800	1572	13.29	1641	14.61	1706	15.95	1771	17.32	1833	18.71	1894	20.13	1954	21.58	2012	23.05	2069	24.53
6200	5000	1597	14.2	1664	15.56	1729	16.94	1791	18.34	1853	19.77	1912	21.22	1971	22.7	2028	24.2	2084	25.73
6448	5200	1622	15.16	1688	16.57	1752	17.99	1813	19.43	1873	20.89	1932	22.37	1989	23.88	2045	25.42	2100	26.98
6696	5400	1648	16.17	1713	17.63	1776	19.09	1836	20.57	1895	22.07	1952	23.58	2008	25.12	2063	26.69	2118	28.28
6944	5600	1674	17.23	1739	18.74	1800	20.24	1860	21.77	1917	23.3	1974	24.86	2029	26.43	2083	28.03	2136	29.65
7192	5800	1701	18.35	1764	19.9	1825	21.45	1884	23.02	1941	24.59	1996	26.19	2050	27.8	2103	29.43	2155	31.05
7440	6000	1728	19.51	1791	21.11	1851	22.72	1909	24.33	1965	25.95	2019	27.58	2072	29.23	2124	30.89	2176	32.58
7688	6200	1756	20.74	1817	22.39	1877	24.04	1934	25.7	1989	27.36	2043	29.03	2095	30.72	2146	32.42	2197	34.14
7936	6400	1784	22.02	1844	23.71	1903	25.42	1959	27.12	2014	28.83	2067	30.55	2119	32.28	2169	34.02	2219	35.78
8184	6600	1812	23.36	1872	25.1	1930	26.86	1985	28.61	2039	30.37	2092	32.13	2143	33.9	2193	35.68	2241	37.48

CFM	OV	16		17		18		20		22		24		26		28		30	
		RPM	BHP	RPM	BHP	RPM	BHP	RPM	BHP	RPM	BHP	RPM	BHP	RPM	BHP	RPM	BHP	RPM	BHP
3224	2600	2008	14.69	2066	15.67	2123	16.66	2231	18.66	2335	20.7	2434	22.79	2529	24.93	2621	27.13	2709	29.38
3472	2800	2016	15.65	2074	16.7	2130	17.74	2238	19.84	2341	21.97	2440	24.14	2535	26.35	2626	28.6	2714	30.9
3720	3000	2024	16.6	2082	17.71	2138	18.82	2246	21.05	2349	23.29	2447	25.55	2541	27.84	2632	30.16	2719	32.53
3968	3200	2033	17.53	2091	18.7	2147	19.88	2254	22.24	2356	24.61	2454	26.98	2548	29.38	2638	31.79	2725	34.24
4216	3400	2042	18.48	2099	19.7	2155	20.93	2262	23.41	2364	25.91	2462	28.42	2555	30.93	2645	33.46	2732	36
4464	3600	2052	19.44	2108	20.71	2164	21.99	2271	24.57	2373	27.19	2470	29.83	2563	32.48	2653	35.13	2740	37.79
4712	3800	2062	20.44	2118	21.75	2173	23.07	2280	25.75	2381	28.47	2478	31.23	2571	34	2661	36.79	2747	39.58
4960	4000	2074	21.49	2130	22.83	2184	24.19	2289	26.95	2390	29.76	2487	32.62	2579	35.51	2669	38.41	2755	41.33
5208	4200	2086	22.58	2142	23.96	2195	25.36	2299	28.19	2399	31.08	2495	34.03	2588	37.02	2677	40.03	2763	43.07
5456	4400	2099	23.7	2154	25.13	2208	26.57	2311	29.48	2410	32.44	2505	35.47	2597	38.54	2686	41.66	2771	44.8
5704	4600	2112	24.85	2166	26.33	2220	27.81	2323	30.82	2421	33.85	2515	36.95	2606	40.1	2695	43.31	2780	46.54
5952	4800	2125	26.04	2180	27.56	2233	29.09	2335	32.19	2433	35.32	2526	38.49	2617	41.71	2704	44.99	2789	48.31
6200	5000	2139	27.27	2193	28.83	2246	30.41	2348	33.9	2445	36.82	2538	40.08	2628	43.37	2715	46.72	2799	50.12
6448	5200	2155	28.56	2208	30.15	2260	31.77	2361	35.04	2457	38.36	2550	41.71	2640	45.1	2726	48.51	2809	51.98
6696	5400	2171	29.89	2223	31.53	2274	33.18	2374	36.53	2470	39.93	2563	43.38	2652	46.86	2738	50.36	2820	53.9
6944	5600	2188	31.29	2239	32.96	2290	34.64	2389	38.07	2484	41.55	2576	45.09	2664	48.65	2750	52.26	2832	55.89
7192	5800	2206	32.75	2257	34.45	2307	36.17	2404	39.67	2498	43.23	2589	46.84	2677	50.5	2762	54.19	2844	57.91
7440	6000	2226	34.28	2275	36.01	2324	37.76	2420	41.32	2512	44.95	2603	48.64	2690	52.38	2774	56.16	2856	59.97
7688	6200	2246	35.88	2295	37.64	2343	39.42	2436	43.04	2528	46.74	2617	50.5	2703	54.32	2787	58.18	2869	62.08
7936	6400	2267	37.55	2315	39.34	2362	41.15	2454	44.83	2544	48.59	2632	52.43	2718	56.32	2801	60.26	2882	64.24
8184	6600	2289	39.29	2336	41.11	2382	42.96	2473	46.7	2562	50.52	2648	54.41	2733	58.37	2815	62.39	2895	66.45
8432	6800	2312	41.1	2358	42.96	2404	44.83	2493	48.64	2580	52.52	2665	56.47	2748	60.5	2830	64.59	2909	68.72
8680	7000	2335	42.97	2381	44.87	2426	46.79	2513	50.66	2599	54.6	2683	58.61	2765	62.7	2845	66.85	2924	71.06
8928	7200	2359	44.92	2404	46.86	2448	48.81	2535	52.75	2619	56.76	2701	60.83	2782	64.97	2861	69.19	-	-
9176	7400	2383	46.94	2427	48.92	2471	50.91	2556	54.93	2640	59	2721	63.13	2800	67.33	2878	71.6	-	-

Performance certified is for Installation Type D: ducted inlet, ducted outlet. Performance ratings do not include the effects of appurtenances. Power rating (BHP) does not include transmission losses. Bold data shows fans maximum static efficiency.

TYPE OT | 17 - 61



CFM	OV	STATIC PRESSURE																	
		1		1.5		2		2.5		3		3.5		4		5		6	
		RPM	BHP	RPM	BHP	RPM	BHP	RPM	BHP	RPM	BHP	RPM	BHP	RPM	BHP	RPM	BHP	RPM	BHP
1590	1000	460	0.44	553	0.66	632	0.9	702	1.15	766	1.4	825	1.66	880	1.93	981	2.5	1073	3.13
1908	1200	472	0.53	562	0.79	640	1.06	709	1.34	773	1.63	831	1.92	885	2.22	985	2.84	1076	3.49
2226	1400	486	0.64	573	0.92	649	1.22	718	1.53	780	1.86	838	2.2	893	2.53	992	3.22	1082	3.92
2544	1600	504	0.77	586	1.07	661	1.4	728	1.74	789	2.1	846	2.46	900	2.84	999	3.61	1088	4.38
2862	1800	524	0.92	602	1.25	673	1.6	739	1.97	800	2.35	856	2.75	909	3.15	1006	3.99	1096	4.85
3180	2000	547	1.09	621	1.45	688	1.82	752	2.22	811	2.63	867	3.05	919	3.48	1015	4.37	1103	5.3
3498	2200	570	1.29	641	1.68	706	2.08	767	2.5	824	2.93	878	3.38	930	3.84	1025	4.79	1112	5.77
3816	2400	594	1.52	664	1.94	726	2.36	784	2.8	839	3.26	891	3.74	942	4.23	1036	5.23	1122	6.26
4134	2600	620	1.77	687	2.22	747	2.68	803	3.15	856	3.63	906	4.12	955	4.64	1047	5.7	1133	6.79
4452	2800	646	2.06	711	2.54	769	3.03	823	3.53	874	4.03	923	4.55	970	5.08	1060	6.19	1144	7.35
4770	3000	673	2.38	735	2.9	792	3.42	845	3.94	895	4.47	942	5.02	987	5.57	1074	6.73	1156	7.93
5088	3200	701	2.74	761	3.29	816	3.84	868	4.4	916	4.96	962	5.53	1006	6.11	1090	7.3	1170	8.55
5406	3400	729	3.14	787	3.72	841	4.3	891	4.89	938	5.48	983	6.08	1026	6.69	1107	7.93	1185	9.22
5724	3600	758	3.58	814	4.19	866	4.8	915	5.42	961	6.05	1005	6.68	1047	7.31	1126	8.6	1201	9.94
6042	3800	788	4.06	841	4.7	892	5.35	940	6	985	6.66	1028	7.32	1069	7.98	1146	9.33	1219	10.71
6360	4000	817	4.59	869	5.26	918	5.94	965	6.63	1009	7.32	1051	8.01	1091	8.7	1167	10.11	1239	11.54
6678	4200	848	5.18	898	5.87	945	6.58	991	7.3	1034	8.02	1075	8.75	1114	9.47	1189	10.94	1259	12.42
6996	4400	879	5.81	927	6.54	973	7.28	1017	8.02	1059	8.78	1099	9.53	1138	10.29	1211	11.82	1280	13.36
7314	4600	910	6.5	956	7.25	1001	8.02	1044	8.8	1085	9.59	1124	10.37	1162	11.17	1234	12.76	1301	14.36
7632	4800	941	7.25	986	8.03	1029	8.83	1071	9.64	1111	10.45	1149	11.27	1187	12.09	1257	13.75	1324	15.41
7950	5000	973	8.05	1016	8.86	1058	9.69	1099	10.53	1138	11.37	1175	12.22	1212	13.08	1281	14.8	1346	16.53

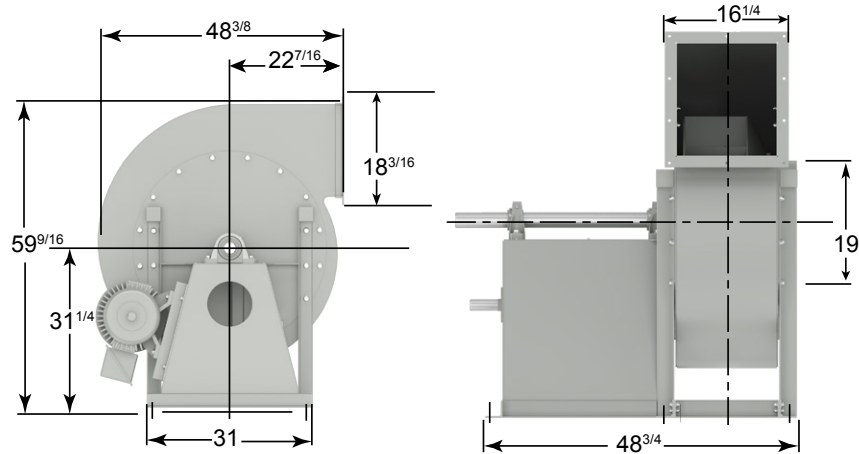
TYPE OT | 17 - 61

CFM	OV	7		8		9		10		11		12		13		14		15	
		RPM	BHP	RPM	BHP	RPM	BHP	RPM	BHP	RPM	BHP	RPM	BHP	RPM	BHP	RPM	BHP	RPM	BHP
2226	1400	1165	4.64	1242	5.4	1316	6.2	1385	7.03	1452	7.89	1515	8.79	1576	9.71	1635	10.67	1692	11.64
2544	1600	1171	5.17	1248	5.97	1320	6.8	1389	7.66	1455	8.55	1518	9.47	1578	10.42	1637	11.4	1693	12.41
2862	1800	1178	5.71	1254	6.59	1326	7.48	1394	8.38	1460	9.31	1522	10.26	1582	11.23	1640	12.23	1696	13.26
3180	2000	1185	6.25	1261	7.21	1333	8.18	1401	9.15	1466	10.13	1527	11.13	1587	12.15	1644	13.19	1700	14.25
3498	2200	1193	6.78	1269	7.82	1340	8.87	1408	9.93	1472	10.99	1534	12.06	1593	13.13	1650	14.23	1705	15.33
3816	2400	1201	7.33	1277	8.43	1348	9.55	1415	10.69	1479	11.84	1541	12.99	1600	14.14	1657	15.3	1711	16.47
4134	2600	1211	7.91	1286	9.06	1356	10.24	1423	11.45	1487	12.67	1548	13.9	1607	15.15	1664	16.39	1718	17.64
4452	2800	1222	8.53	1296	9.73	1365	10.96	1431	12.22	1495	13.5	1556	14.81	1614	16.13	1671	17.46	1725	18.79
4770	3000	1234	9.17	1307	10.43	1375	11.72	1441	13.02	1503	14.36	1564	15.73	1622	17.11	1678	18.51	1733	19.92
5088	3200	1246	9.85	1318	11.17	1386	12.51	1451	13.88	1513	15.26	1573	16.67	1631	18.11	1686	19.58	1740	21.05
5406	3400	1259	10.56	1330	11.94	1398	13.34	1462	14.77	1524	16.21	1583	17.67	1640	19.16	1695	20.67	1749	22.2
5724	3600	1274	11.32	1343	12.75	1410	14.2	1474	15.69	1535	17.19	1594	18.72	1650	20.25	1705	21.81	1758	23.39
6042	3800	1289	12.13	1357	13.6	1423	15.11	1486	16.65	1546	18.21	1605	19.79	1661	21.39	1715	23.01	1768	24.64
6360	4000	1307	13.01	1373	14.51	1437	16.07	1499	17.65	1558	19.27	1616	20.91	1672	22.57	1726	24.25	1778	25.94
6678	4200	1325	13.94	1390	15.49	1452	17.08	1512	18.71	1571	20.38	1628	22.07	1684	23.79	1737	25.52	1789	27.27
6996	4400	1345	14.93	1408	16.52	1468	18.16	1528	19.83	1585	21.54	1641	23.28	1696	25.05	1749	26.84	1801	28.65
7314	4600	1365	15.98	1427	17.62	1486	19.3	1544	21.01	1600	22.76	1655	24.55	1709	26.37	1761	28.21	1812	30.07
7632	4800	1387	17.09	1447	18.78	1505	20.51	1561	22.27	1616	24.06	1670	25.88	1723	27.74	1775	29.63	1825	31.55
7950	5000	1408	18.26	1467	20.01	1524	21.79	1580	23.59	1634	25.42	1686	27.29	1738	29.19	1789	31.12	1838	33.08
8268	5200	1431	19.5	1489	21.31	1545	23.13	1599	24.98	1652	26.86	1703	28.77	1754	30.71	1804	32.68	1852	34.69
8586	5400	1453	20.8	1511	22.67	1566	24.55	1619	26.45	1671	28.37	1722	30.33	1771	32.31	1820	34.32	1867	36.36
8904	5600	1477	22.16	1533	24.09	1587	26.03	1640	27.99	1691	29.96	1741	31.96	1789	33.99	1837	36.04	1883	38.12
9222	5800	1500	23.59	1556	25.59	1610	27.59	1661	29.6	1711	31.63	1760	33.67	1808	35.74	1855	37.84	1901	39.96
9540	6000	1524	25.09	1579	27.15	1632	29.21	1683	31.28	1732	33.37	1781	35.47	1827	37.58	1873	39.78	1918	41.89
9858	6200	1548	26.66	1603	28.79	1655	30.91	1705	33.04	1754	35.18	1801	37.34	1848	39.51	1893	41.69	1937	43.91
10176	6400	1573	28.31	1627	30.49	1678	32.68	1728	34.88	1776	37.08	1823	39.29	1868	41.51	1913	43.75	1957	46.01
10494	6600	1598	30.04	1651	32.28	1702	34.53	1751	36.79	1798	39.05	1845	41.32	1890	43.59	1934	45.89	1977	48.19

CFM	OV	16		17		18		20		22		24		26		28		30	
		RPM	BHP	RPM	BHP	RPM	BHP	RPM	BHP	RPM	BHP	RPM	BHP	RPM	BHP	RPM	BHP	RPM	BHP
4134	2600	1771	18.89	1822	20.15	1872	21.42	1968	23.99	2059	26.62	2146	29.3	2230	32.06	2311	34.88	2389	37.78
4452	2800	1778	20.13	1829	21.47	1879	22.81	1974	25.52	2065	28.26	2152	31.04	2235	33.88	2315	36.78	2393	39.73
4770	3000	1785	21.34	1836	22.77	1886	24.2	1981	27.06	2071	29.94	2158	32.85	2241	35.8	2321	38.79	2398	41.83
5088	3200	1793	22.54	1844	24.05	1893	25.56	1988	28.6	2078	31.64	2164	34.7	2247	37.77	2326	40.88	2403	44.02
5406	3400	1801	23.76	1851	25.33	1900	26.91	1995	30.1	2085	33.32	2171	36.55	2253	39.78	2333	43.02	2409	46.29
5724	3600	1809	25	1859	26.63	1908	28.27	2002	31.6	2092	34.97	2178	38.36	2260	41.77	2339	45.17	2416	48.59
6042	3800	1819	26.29	1868	27.96	1917	29.66	2010	33.11	2100	36.61	2185	40.15	2267	43.72	2346	47.3	2423	50.89
6360	4000	1829	27.64	1878	29.36	1926	31.1	2019	34.65	2108	38.27	2193	41.95	2275	45.66	2354	49.39	2430	53.15
6678	4200	1840	29.04	1889	30.82	1936	32.6	2028	36.25	2116	39.97	2201	43.76	2282	47.6	2361	51.48	2437	55.38
6996	4400	1851	30.47	1899	32.31	1947	34.17	2038	37.9	2125	41.72	2209	45.61	2290	49.56	2368	53.57	2444	57.61
7314	4600	1862	31.95	1910	33.85	1958	35.76	2048	39.63	2135	43.53	2218	47.51	2298	51.57	2376	55.69	2452	59.85
7632	4800	1874	33.48	1922	35.44	1969	37.41	2059	41.39	2145	45.42	2228	49.49	2308	53.63	2385	57.85	2460	62.12
7950	5000	1887	35.07	1934	37.08	1981	39.1	2070	43.2	2156	47.35	2238	51.54	2317	55.77	2394	60.07	2468	64.45
8268	5200	1900	36.72	1947	38.78	1993	40.85	2082	45.06	2167	49.32	2249	53.64	2328	57.99	2404	62.38	2477	66.84
8586	5400	1914	38.44	1960	40.54	2006	42.67	2094	46.97	2178	51.35	2260	55.78	2338	60.25	2414	64.76	2487	69.31
8904	5600	1930	40.24	1975	42.38	2019	44.55	2106	48.95	2190	53.43	2271	57.97	2349	62.56	2425	67.2	2498	71.86
9222	5800	1946	42.12	1990	44.3	2034	46.51	2120	51.01	2203	55.58	2283	60.23	2360	64.93	2435	69.68	2508	74.47
9540	6000	1963	44.08	2006	46.31	2049	48.55	2134	53.13	2216	57.8	2295	62.55	2372	67.36	2447	72.22	2519	77.12
9858	6200	1981	46.14	2024	48.4	2066	50.69	2149	55.35	2229	60.1	2308	64.94	2384	69.85	2458	74.82	2530	79.83
10176	6400	1999	48.29	2042	50.59	2083	52.92	2164	57.65	2244	62.49	2321	67.41	2397	72.42	2470	77.48	2541	82.6
10494	6600	2019	50.52	2060	52.87	2101	55.24	2181	60.05	2259	64.96	2335	69.97	2410	75.06	2482	80.23	2553	85.45
10812	6800	2039	52.84	2079	55.24	2120	57.65	2198	62.55	2275	67.53	2350	72.62	2424	77.8	2495	83.05	2565	88.37
11130	7000	2059	55.26	2099	57.7	2139	60.16	2216	65.14	2292	70.21	2366	75.37	2438	80.62	2509	85.96	2578	91.37
11448	7200	2080	57.76	2120	60.26	2159	62.77	2235	67.84	2309	72.98	2382	78.22	2453	83.55	2523	88.97	-	-
11766	7400	2101	60.36	2141	62.91	2179	65.47	2254	70.63	2328	75.86	2399	81.18	2469	86.58	2538	92.07	-	-

Performance certified is for Installation Type D: ducted inlet, ducted outlet. Performance ratings do not include the effects of appurtenances. Power rating (BHP) does not include transmission losses. Bold data shows fans maximum static efficiency.

TYPE OT | 19 - 61



CFM	OV	STATIC PRESSURE																	
		1		1.5		2		2.5		3		3.5		4		5		6	
		RPM	BHP	RPM	BHP	RPM	BHP	RPM	BHP	RPM	BHP	RPM	BHP	RPM	BHP	RPM	BHP	RPM	BHP
1970	1000	413	0.54	496	0.82	567	1.12	630	1.43	688	1.74	740	2.06	790	2.39	881	3.11	963	3.88
2364	1200	423	0.66	504	0.97	574	1.31	637	1.67	694	2.03	746	2.39	795	2.76	885	3.52	966	4.33
2758	1400	436	0.79	514	1.14	583	1.52	644	1.9	701	2.31	753	2.72	801	3.14	890	3.99	971	4.86
3152	1600	452	0.95	526	1.33	593	1.74	653	2.16	708	2.6	760	3.06	808	3.52	897	4.47	977	5.44
3546	1800	471	1.14	540	1.55	604	1.99	664	2.45	718	2.92	768	3.41	816	3.91	904	4.95	983	6.01
3940	2000	491	1.35	557	1.8	618	2.26	675	2.76	728	3.27	778	3.79	825	4.32	911	5.43	990	6.58
4334	2200	512	1.6	576	2.08	634	2.58	688	3.1	740	3.64	789	4.2	835	4.77	920	5.94	998	7.16
4728	2400	534	1.88	596	2.4	651	2.93	703	3.48	753	4.05	800	4.64	846	5.24	930	6.49	1007	7.77
5122	2600	556	2.2	616	2.76	671	3.33	721	3.9	768	4.5	814	5.12	857	5.75	940	7.07	1017	8.43
5516	2800	580	2.56	638	3.16	691	3.76	739	4.38	785	5	829	5.65	871	6.31	952	7.69	1027	9.12
5910	3000	604	2.96	660	3.59	711	4.24	759	4.89	803	5.55	845	6.23	886	6.91	964	8.35	1038	9.84
6304	3200	629	3.4	683	4.08	733	4.76	779	5.46	822	6.15	863	6.86	903	7.58	978	9.06	1050	10.61
6698	3400	655	3.89	707	4.61	755	5.34	800	6.07	842	6.8	882	7.55	921	8.3	994	9.84	1064	11.44
7092	3600	681	4.44	731	5.19	778	5.96	822	6.73	863	7.51	902	8.29	940	9.07	1011	10.68	1078	12.33
7436	3800	707	5.04	755	5.83	801	6.64	844	7.45	884	8.26	923	9.08	959	9.91	1029	11.58	1095	13.29
7880	4000	734	5.7	781	6.53	825	7.37	866	8.22	906	9.08	944	9.94	980	10.8	1048	12.54	1112	14.32
8274	4200	761	6.42	806	7.29	849	8.17	889	9.06	928	9.95	965	10.85	1000	11.76	1067	13.57	1130	15.41
8668	4400	789	7.21	832	8.11	873	9.03	913	9.96	951	10.89	987	11.83	1022	12.77	1087	14.67	1149	16.58
9062	4600	817	8.07	858	9	899	9.96	937	10.92	974	11.89	1009	12.87	1043	13.85	1108	15.83	1168	17.81
9456	4800	845	8.99	885	9.96	924	10.95	961	11.96	997	12.97	1032	13.98	1065	15.01	1129	17.06	1188	19.12
9850	5000	873	9.99	912	11	950	12.03	986	13.07	1021	14.11	1055	15.17	1088	16.23	1150	18.36	1209	20.51

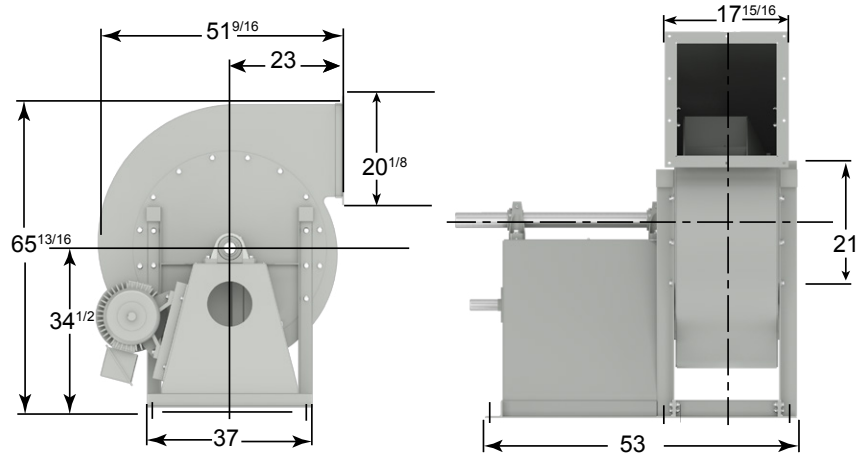
TYPE OT | 19 - 61

CFM	OV	7		8		9		10		11		12		13		14		15	
		RPM	BHP	RPM	BHP	RPM	BHP	RPM	BHP	RPM	BHP	RPM	BHP	RPM	BHP	RPM	BHP	RPM	BHP
2758	1400	1046	5.76	1115	6.7	1181	7.69	1244	8.72	1303	9.79	1360	10.91	1415	12.05	1468	13.23	1519	14.44
3152	1600	1051	6.41	1120	7.41	1185	8.44	1247	9.51	1306	10.61	1362	11.75	1417	12.93	1469	14.14	1520	15.4
3546	1800	1057	7.09	1126	8.18	1191	9.28	1252	10.4	1310	11.55	1366	12.73	1420	13.94	1472	15.18	1522	16.46
3940	2000	1064	7.76	1132	8.95	1197	10.15	1258	11.35	1316	12.57	1371	13.82	1425	15.08	1476	16.37	1526	17.68
4334	2200	1071	8.42	1139	9.7	1203	11.01	1264	12.32	1322	13.64	1377	14.96	1430	16.3	1481	17.65	1531	19.03
4728	2400	1079	9.09	1146	10.46	1210	11.85	1271	13.26	1328	14.69	1383	16.12	1436	17.55	1487	18.99	1536	20.44
5122	2600	1088	9.82	1154	11.24	1217	12.71	1277	14.2	1335	15.72	1390	17.25	1443	18.79	1493	20.34	1542	21.89
5516	2800	1097	10.58	1163	12.07	1225	13.6	1285	15.16	1342	16.76	1397	18.38	1449	20.01	1500	21.66	1549	23.32
5910	3000	1108	11.38	1173	12.95	1235	14.54	1293	16.16	1350	17.82	1404	19.51	1456	21.23	1507	22.97	1555	24.72
6304	3200	1118	12.22	1183	13.86	1245	15.53	1303	17.22	1358	18.94	1412	20.69	1464	22.48	1514	24.29	1562	26.12
6698	3400	1130	13.1	1194	14.81	1255	16.55	1313	18.32	1368	20.12	1421	21.93	1472	23.77	1522	25.65	1570	27.55
7092	3600	1143	14.05	1206	15.81	1266	17.62	1323	19.47	1378	21.33	1431	23.22	1481	25.13	1530	27.06	1578	29.03
7486	3800	1158	15.06	1218	16.88	1277	18.75	1334	20.66	1388	22.6	1441	24.56	1491	26.55	1540	28.55	1587	30.57
7880	4000	1173	16.14	1232	18.01	1290	19.94	1345	21.91	1399	23.91	1451	25.95	1501	28	1550	30.08	1596	32.18
8274	4200	1190	17.29	1247	19.22	1303	21.19	1358	23.22	1411	25.28	1462	27.39	1511	29.51	1560	31.67	1606	33.84
8668	4400	1207	18.52	1264	20.5	1318	22.53	1371	24.6	1423	26.73	1474	28.89	1523	31.08	1570	33.3	1616	35.55
9062	4600	1226	19.82	1281	21.87	1334	23.95	1386	26.07	1437	28.25	1486	30.46	1534	32.72	1581	35	1627	37.31
9456	4800	1245	21.2	1299	23.31	1351	25.45	1402	27.63	1451	29.85	1499	32.12	1547	34.43	1593	36.77	1638	39.15
9850	5000	1264	22.66	1317	24.83	1369	27.03	1418	29.27	1467	31.54	1514	33.86	1560	36.22	1606	38.62	1650	41.05
10244	5200	1284	24.19	1337	26.44	1387	28.7	1436	31	1483	33.33	1529	35.7	1575	38.1	1619	40.55	1663	43.04
10638	5400	1305	25.81	1356	28.12	1406	30.46	1454	32.82	1500	35.21	1546	37.63	1590	40.09	1634	42.59	1676	45.12
11032	5600	1326	27.5	1376	29.89	1425	32.3	1472	34.73	1518	37.18	1563	39.66	1606	42.17	1649	44.72	1691	47.3
11426	5800	1347	29.27	1397	31.75	1445	34.23	1491	36.73	1536	39.24	1580	41.78	1623	44.35	1665	46.95	1706	49.59
11820	6000	1368	31.13	1418	33.69	1465	36.25	1511	38.82	1555	41.4	1598	44.01	1641	46.64	1682	49.29	1722	51.98
12214	6200	1390	33.09	1439	35.72	1486	38.36	1531	41	1575	43.66	1617	46.33	1659	49.02	1699	51.74	1739	54.48
12608	6400	1412	35.13	1460	37.84	1507	40.56	1551	43.28	1594	46.01	1636	48.75	1677	51.5	1717	54.28	1756	57.09
13002	6600	1435	37.27	1482	40.05	1528	42.85	1572	45.65	1615	48.45	1656	51.27	1696	54.09	1736	56.94	1774	59.8

CFM	OV	16		17		18		20		22		24		26		28		30	
		RPM	BHP	RPM	BHP	RPM	BHP	RPM	BHP	RPM	BHP	RPM	BHP	RPM	BHP	RPM	BHP	RPM	BHP
5122	2600	1590	23.44	1636	25	1681	26.58	1767	29.77	1848	33.03	1927	36.36	2002	39.78	2075	43.28	2145	46.88
5516	2800	1596	24.98	1642	26.64	1687	28.31	1772	31.66	1854	35.06	1932	38.52	2006	42.04	2079	45.63	2148	49.3
5910	3000	1603	26.48	1648	28.25	1693	30.03	1778	33.58	1859	37.15	1937	40.76	2012	44.42	2083	48.13	2153	51.9
6304	3200	1609	27.97	1655	29.84	1699	31.71	1784	35.48	1865	39.26	1943	43.05	2017	46.87	2089	50.73	2158	54.63
6698	3400	1616	29.48	1662	31.43	1706	33.39	1791	37.35	1872	41.34	1949	45.35	2023	49.35	2094	53.38	2163	57.44
7092	3600	1624	31.02	1669	33.04	1713	35.08	1798	39.21	1878	43.39	1955	47.6	2029	51.83	2100	56.05	2169	60.29
7486	3800	1633	32.62	1677	34.7	1721	36.81	1805	41.08	1885	45.43	1962	49.82	2036	54.25	2106	58.7	2175	63.14
7880	4000	1642	34.3	1686	36.43	1729	38.59	1812	43	1892	47.49	1968	52.05	2042	56.65	2113	61.29	2181	65.95
8274	4200	1651	36.03	1695	38.24	1738	40.46	1820	44.97	1900	49.6	1976	54.3	2049	59.06	2119	63.87	2187	68.72
8668	4400	1661	37.81	1705	40.09	1748	42.39	1829	47.03	1908	51.76	1983	56.59	2056	61.5	2126	66.47	2194	71.48
9062	4600	1672	39.65	1715	42	1757	44.38	1839	49.17	1917	54.02	1991	58.96	2063	63.99	2133	69.1	2201	74.27
9456	4800	1682	41.55	1725	43.97	1767	46.42	1849	51.36	1926	56.36	2000	61.41	2072	66.55	2141	71.78	2208	77.09
9850	5000	1694	43.52	1736	46.01	1778	48.52	1859	53.6	1936	58.75	2009	63.95	2080	69.2	2149	74.54	2216	79.97
10244	5200	1706	45.56	1748	48.11	1789	50.69	1869	55.91	1946	61.2	2019	66.55	2090	71.95	2158	77.4	2224	82.93
10638	5400	1719	47.7	1760	50.3	1801	52.94	1880	58.29	1956	63.72	2029	69.21	2099	74.76	2167	80.36	2233	86
11032	5600	1732	49.93	1773	52.59	1813	55.28	1891	60.74	1966	66.3	2039	71.94	2109	77.63	2177	83.38	2242	89.17
11426	5800	1747	52.26	1787	54.97	1826	57.71	1903	63.29	1977	68.97	2049	74.73	2119	80.57	2186	86.46	2252	92.4
11820	6000	1762	54.7	1801	57.46	1840	60.25	1916	65.93	1989	71.73	2060	77.61	2129	83.58	2196	89.61	2261	95.69
12214	6200	1778	57.25	1817	60.06	1855	62.9	1929	68.67	2001	74.58	2072	80.58	2140	86.67	2207	92.83	2271	99.06
12608	6400	1795	59.91	1833	62.77	1870	65.66	1943	71.53	2014	77.53	2084	83.65	2151	89.86	2217	96.14	2281	102.5
13002	6600	1812	62.69	1849	65.6	1886	68.54	1958	74.51	2028	80.6	2096	86.82	2163	93.14	2228	99.55	2292	106
13396	6800	1830	65.57	1867	68.54	1903	71.54	1974	77.61	2042	83.8	2110	90.11	2176	96.53	2240	103	2303	109.6
13790	7000	1848	68.57	1885	71.6	1920	74.65	1990	80.83	2058	87.11	2124	93.52	2189	100	2252	106.7	2314	113.4
14184	7200	1867	71.68	1903	74.77	1938	77.88	2007	84.17	2073	90.56	2138	97.06	2202	103.7	2265	110.4	-	-
14578	7400	1886	74.9	1922	78.06	1956	81.23	2024	87.64	2090	94.13	2154	100.7	2217	107.4	2279	114.2	-	-

Performance certified is for Installation Type D: ducted inlet, ducted outlet. Performance ratings do not include the effects of appurtenances. Power rating (BHP) does not include transmission losses. Bold data shows fans maximum static efficiency.

TYPE OT | 21 - 61



CFM	OV	STATIC PRESSURE																	
		1		1.5		2		2.5		3		3.5		4		5		6	
		RPM	BHP	RPM	BHP	RPM	BHP	RPM	BHP	RPM	BHP	RPM	BHP	RPM	BHP	RPM	BHP	RPM	BHP
2410	1000	370	0.61	444	0.9	508	1.2	565	1.52	617	1.86	666	2.2	711	2.55	793	3.27	868	4.01
2892	1200	380	0.76	452	1.09	514	1.44	570	1.8	621	2.17	668	2.55	713	2.95	795	3.77	869	4.61
3374	1400	393	0.93	462	1.31	522	1.7	577	2.1	627	2.51	674	2.93	717	3.37	798	4.26	872	5.2
3856	1600	406	1.12	473	1.55	532	1.98	586	2.43	635	2.89	680	3.35	723	3.83	803	4.8	875	5.81
4338	1800	421	1.34	486	1.82	544	2.3	595	2.79	644	3.29	688	3.8	731	4.32	809	5.38	880	6.46
4820	2000	437	1.58	500	2.12	556	2.66	607	3.19	654	3.73	698	4.29	739	4.85	816	5.99	887	7.16
5302	2200	454	1.87	512	2.45	570	3.04	619	3.63	665	4.22	708	4.81	749	5.42	824	6.65	894	7.91
5784	2400	473	2.19	531	2.81	584	3.46	633	4.1	678	4.74	720	5.38	759	6.03	834	7.35	902	8.69
6266	2600	492	2.56	548	3.22	599	3.91	647	4.61	691	5.31	732	6	771	6.69	844	8.09	911	9.52
6748	2800	513	2.97	566	3.67	615	4.4	662	5.15	705	5.91	746	6.65	784	7.4	855	8.89	922	10.4
7230	3000	533	3.44	585	4.18	632	4.94	677	5.74	720	6.54	759	7.35	797	8.15	868	9.74	933	11.34
7712	3200	555	3.95	604	4.74	650	5.54	694	6.37	735	7.23	774	8.09	811	8.95	881	10.65	945	12.35
8194	3400	576	4.52	625	5.36	669	6.2	711	7.07	751	7.96	789	8.87	826	9.78	894	11.6	957	13.4
8676	3600	598	5.14	645	6.04	688	6.93	729	7.83	767	8.76	805	9.71	841	10.67	908	12.6	970	14.52
9158	3800	621	5.82	666	6.78	708	7.72	747	8.66	785	9.62	821	10.61	856	11.62	923	13.65	984	15.68
9640	4000	643	6.56	688	7.58	728	8.57	767	9.56	803	10.56	838	11.58	873	12.63	937	14.76	998	16.9
10122	4200	666	7.37	709	8.45	749	9.5	786	10.53	822	11.57	856	12.62	889	13.71	953	15.92	1013	18.17
10604	4400	689	8.25	731	9.39	770	10.49	807	11.58	841	12.66	874	13.75	907	14.86	969	17.16	1028	19.5
11086	4600	713	9.2	754	10.39	792	11.56	827	12.7	861	13.83	893	14.96	925	16.11	986	18.47	1043	20.9
11563	4800	736	10.24	776	11.48	813	12.7	848	13.9	881	15.08	913	16.25	944	17.44	1003	19.87	1059	22.38
12050	5000	760	11.35	799	12.64	835	13.92	870	15.18	902	16.41	933	17.64	963	18.86	1020	21.36	1076	23.94

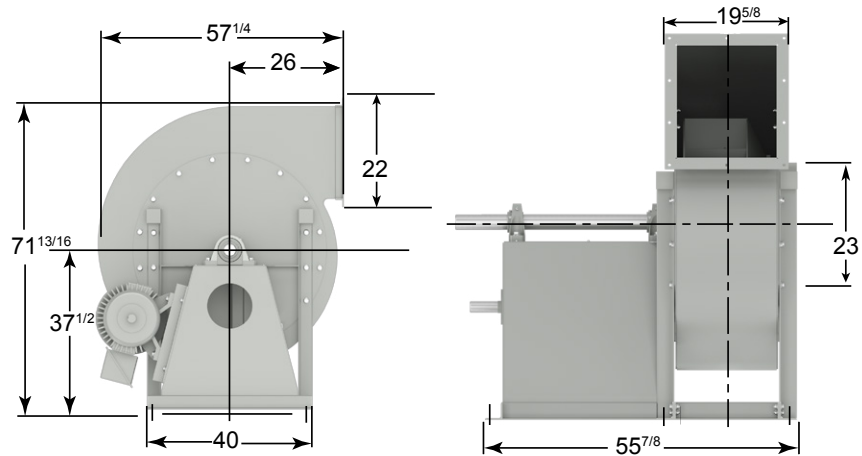
TYPE OT | 21 - 61

CFM	OV	7		8		9		10		11		12		13		14		15	
		RPM	BHP	RPM	BHP	RPM	BHP	RPM	BHP	RPM	BHP	RPM	BHP	RPM	BHP	RPM	BHP	RPM	BHP
3374	1400	940	6.17	1003	7.15	1063	8.14	1120	9.14	1173	10.17	1225	11.23	1274	12.32	1322	13.44	1368	14.6
3856	1600	943	6.86	1006	7.94	1065	9.04	1122	10.15	1175	11.27	1226	12.41	1275	13.55	1323	14.72	1368	15.91
4338	1800	946	7.58	1009	8.73	1068	9.92	1124	11.13	1177	12.36	1228	13.61	1277	14.87	1324	16.13	1370	17.39
4820	2000	952	8.36	1013	9.58	1071	10.83	1127	12.12	1180	13.44	1231	14.78	1279	16.14	1326	17.51	1372	18.9
5302	2200	959	9.19	1019	10.49	1077	11.82	1131	13.17	1183	14.56	1234	15.97	1282	17.41	1329	18.87	1374	20.36
5784	2400	966	10.06	1026	11.45	1083	12.86	1137	14.3	1188	15.75	1238	17.23	1286	18.73	1332	20.27	1377	21.83
6266	2600	974	10.98	1034	12.46	1090	13.96	1143	15.47	1195	17.01	1244	18.57	1291	20.14	1336	21.74	1380	23.36
6748	2800	984	11.95	1042	13.52	1098	15.1	1151	16.7	1201	18.33	1250	19.97	1297	21.62	1342	23.3	1386	24.99
7230	3000	994	12.97	1051	14.63	1106	16.3	1159	17.99	1209	19.7	1257	21.42	1303	23.16	1348	24.92	1392	26.7
7712	3200	1005	14.06	1061	15.79	1116	17.55	1167	19.33	1217	21.13	1265	22.94	1311	24.77	1355	26.61	1398	28.47
8194	3400	1016	15.21	1072	17.02	1126	18.86	1177	20.73	1226	22.62	1273	24.52	1319	26.43	1363	28.36	1405	30.3
8676	3600	1029	16.42	1084	18.33	1136	20.25	1187	22.2	1235	24.17	1282	26.15	1327	28.16	1371	30.17	1413	32.2
9158	3800	1042	17.69	1096	19.7	1148	21.71	1198	23.74	1245	25.79	1292	27.86	1336	29.95	1380	32.05	1421	34.17
9640	4000	1055	19.03	1109	21.14	1160	23.25	1209	25.36	1256	27.49	1302	29.64	1346	31.81	1389	34	1430	36.2
10122	4200	1069	20.41	1122	22.64	1173	24.85	1221	27.06	1268	29.28	1313	31.51	1356	33.75	1399	36.02	1440	38.31
10604	4400	1083	21.85	1136	24.19	1186	26.52	1234	28.83	1280	31.14	1324	33.46	1368	35.79	1409	38.14	1450	40.5
11086	4600	1098	23.36	1150	25.81	1200	28.25	1247	30.67	1293	33.08	1337	35.49	1379	37.91	1420	40.34	1461	42.79
11568	4800	1113	24.93	1165	27.49	1214	30.04	1261	32.58	1306	35.09	1349	37.61	1391	40.12	1432	42.64	1472	45.17
12050	5000	1129	26.57	1179	29.23	1228	31.9	1274	34.55	1319	37.18	1362	39.8	1404	42.41	1444	45.03	1484	47.64
12532	5200	1145	28.3	1195	31.06	1242	33.82	1289	36.59	1333	39.33	1376	42.07	1417	44.78	1457	47.5	1496	50.21
13014	5400	1161	30.13	1210	32.96	1257	35.82	1303	38.69	1347	41.56	1389	44.4	1430	47.23	1470	50.05	1508	52.86
13496	5600	1178	32.05	1226	34.96	1273	37.91	1318	40.88	1361	43.85	1403	46.81	1444	49.75	1483	52.68	1521	55.6
13978	5800	1195	34.07	1243	37.05	1289	40.09	1333	43.15	1376	46.22	1417	49.29	1458	52.35	1497	55.39	1535	58.42
14460	6000	1213	36.2	1260	39.25	1305	42.36	1349	45.51	1391	48.68	1432	51.85	1472	55.02	1511	58.18	1548	61.32
14942	6200	1232	38.45	1277	41.57	1321	44.75	1365	47.97	1406	51.23	1447	54.5	1486	57.77	1525	61.04	1562	64.3
15424	6400	1250	40.82	1295	44	1338	47.24	1381	50.54	1422	53.88	1462	57.24	1501	60.61	1539	63.99	1576	67.36
15906	6600	1270	43.31	1313	46.55	1356	49.86	1398	53.23	1438	56.64	1478	60.09	1516	63.55	1554	67.03	1591	70.5

CFM	OV	16		17		18		20		22		24		26		28		30	
		RPM	BHP	RPM	BHP	RPM	BHP	RPM	BHP	RPM	BHP	RPM	BHP	RPM	BHP	RPM	BHP	RPM	BHP
6266	2600	1424	25.01	1465	26.69	1506	28.38	1585	31.82	1659	35.33	1731	38.87	1799	42.44	1865	46.02	1929	49.61
6748	2800	1428	26.7	1469	28.44	1510	30.2	1587	33.79	1662	37.45	1733	41.18	1801	44.95	1867	48.76	1930	52.59
7230	3000	1434	28.49	1475	30.29	1514	32.12	1591	35.83	1665	39.63	1736	43.51	1804	47.45	1869	51.44	1932	55.48
7712	3200	1440	30.34	1481	32.23	1520	34.13	1596	37.98	1669	41.9	1739	45.91	1806	50	1872	54.15	1935	58.35
8194	3400	1447	32.26	1487	34.23	1526	36.21	1602	40.22	1674	44.29	1743	48.42	1810	52.63	1875	56.92	1937	61.27
8676	3600	1454	34.24	1494	36.3	1533	38.36	1608	42.54	1680	46.77	1749	51.05	1815	55.38	1879	59.79	1941	64.27
9158	3800	1462	36.29	1502	38.44	1541	40.59	1615	44.93	1686	49.32	1755	53.77	1820	58.26	1884	62.79	1945	67.39
9640	4000	1471	38.42	1510	40.65	1548	42.89	1622	47.4	1693	51.96	1761	56.56	1826	61.21	1889	65.91	1950	70.65
10122	4200	1480	40.62	1519	42.93	1557	45.26	1630	49.94	1700	54.67	1768	59.44	1833	64.25	1895	69.11	1956	74.01
10604	4400	1489	42.89	1528	45.29	1566	47.7	1639	52.56	1708	57.46	1775	62.39	1840	67.37	1902	72.39	1962	77.45
11086	4600	1500	45.25	1538	47.73	1575	50.23	1647	55.26	1716	60.33	1783	65.44	1847	70.58	1909	75.76	1969	80.99
11568	4800	1511	47.71	1548	50.27	1585	52.84	1657	58.04	1725	63.28	1791	68.56	1855	73.88	1916	79.23	1976	84.61
12050	5000	1522	50.27	1559	52.91	1596	55.56	1666	60.91	1734	66.33	1800	71.78	1863	77.26	1924	82.78	1983	88.33
12532	5200	1534	52.92	1571	55.65	1607	58.38	1677	63.88	1744	69.45	1809	75.08	1872	80.73	1932	86.42	1991	92.14
13014	5400	1546	55.67	1583	58.48	1618	61.3	1688	66.97	1754	72.69	1819	78.47	1881	84.3	1941	90.16	1999	96.04
13496	5600	1559	58.51	1595	61.42	1630	64.33	1699	70.17	1765	76.04	1829	81.97	1890	87.96	1950	93.99	2008	100
13978	5800	1572	61.43	1607	64.44	1643	67.45	1711	73.47	1776	79.51	1839	85.59	1900	91.72	1959	97.92	2017	104.1
14460	6000	1585	64.44	1621	67.56	1655	70.66	1723	76.87	1788	83.09	1850	89.33	1911	95.62	1969	102	2026	108.3
14942	6200	1598	67.54	1634	70.76	1668	73.97	1735	80.38	1800	86.78	1862	93.19	1921	99.63	1980	106.1	2036	112.7
15424	6400	1612	70.71	1647	74.05	1682	77.37	1748	83.98	1812	90.57	1873	97.17	1933	103.8	1990	110.4	2046	117.1
15906	6600	1626	73.97	1661	77.42	1695	80.85	1761	87.68	1824	94.47	1885	101.3	1944	108	2002	114.8	2057	121.7
16388	6800	1641	77.37	1675	80.87	1709	84.42	1775	91.47	1837	98.47	1898	105.4	1956	112.4	2013	119.4	2068	126.4
16870	7000	1655	80.74	1690	84.41	1723	88.08	1788	95.36	1851	102.6	1911	109.8	1969	116.9	2025	124.1	2080	131.2
17352	7200	1670	84.28	1704	88.05	1738	91.82	1802	99.33	1864	106.8	1924	114.2	1981	121.5	2037	128.9	2091	136.2
17834	7400	1685	87.93	1719	91.8	1752	95.67	1816	103.4	1878	111.12	1937	118.7	1984	126.2	2050	133.8	-	-

Performance certified is for Installation Type D: ducted inlet, ducted outlet. Performance ratings do not include the effects of appurtenances. Power rating (BHP) does not include transmission losses. Bold data shows fans maximum static efficiency.

TYPE OT | 23 - 61



CFM	OV	STATIC PRESSURE																	
		1		1.5		2		2.5		3		3.5		4		5		6	
		RPM	BHP	RPM	BHP	RPM	BHP	RPM	BHP	RPM	BHP	RPM	BHP	RPM	BHP	RPM	BHP	RPM	BHP
2900	1000	338	0.73	405	1.08	463	1.44	515	1.83	563	2.23	607	2.65	648	3.07	724	3.92	792	4.82
3480	1200	347	0.91	412	1.31	469	1.73	520	2.16	567	2.6	610	3.06	651	3.54	726	4.53	793	5.54
4060	1400	358	1.11	421	1.57	477	2.04	527	2.52	572	3.02	615	3.52	654	4.04	728	5.12	796	6.25
4640	1600	371	1.35	432	1.86	486	2.38	534	2.92	579	3.47	621	4.03	660	4.59	732	5.76	798	6.97
5220	1800	384	1.61	444	2.19	496	2.77	543	3.35	587	3.96	628	4.57	667	5.19	738	6.46	803	7.76
5800	2000	399	1.9	457	2.55	507	3.19	554	3.83	596	4.48	637	5.15	674	5.82	745	7.2	809	8.6
6380	2200	415	2.24	470	2.94	520	3.65	565	4.36	607	5.06	646	5.78	683	6.5	752	7.98	816	9.5
7960	2400	431	2.63	485	3.38	533	4.15	577	4.93	618	5.69	657	6.46	693	7.24	761	8.82	823	10.44
7540	2600	449	3.07	500	3.86	547	4.69	590	5.54	630	6.37	668	7.2	704	8.03	770	9.72	832	11.44
8120	2800	468	3.57	516	4.41	562	5.28	604	6.19	643	7.09	680	7.99	715	8.88	781	10.68	841	12.49
8700	3000	487	4.13	533	5.02	577	5.94	618	6.89	657	7.86	693	8.83	727	9.79	792	11.7	851	13.62
9280	3200	506	4.74	551	5.69	593	6.66	633	7.65	671	8.68	706	9.71	740	10.74	803	12.79	862	14.83
9860	3400	526	5.42	570	6.44	610	7.45	648	8.49	685	9.56	720	10.65	753	11.75	816	13.94	873	16.1
10440	3600	546	6.17	589	7.26	628	8.32	665	9.4	700	10.52	734	11.66	767	12.82	829	15.14	885	17.44
11020	3800	566	6.99	608	8.14	646	9.27	682	10.4	716	11.55	749	12.74	781	13.95	842	16.4	898	18.84
11600	4000	587	7.88	628	9.11	665	10.3	699	11.48	733	12.68	765	13.91	796	15.16	855	17.72	911	20.3
12180	4200	608	8.85	647	10.15	684	11.41	718	12.65	750	13.89	781	15.16	812	16.46	870	19.12	924	21.82
12760	4400	629	9.91	667	11.27	703	12.6	736	13.9	768	15.2	798	16.51	827	17.85	884	20.61	938	23.42
13340	4600	650	11.05	688	12.48	723	13.89	755	15.25	786	16.61	815	17.97	844	19.35	899	22.19	952	25.1
13920	4800	672	12.29	708	13.78	742	15.26	774	16.69	804	18.11	833	19.52	861	20.95	915	23.86	967	26.88
14500	5000	694	13.63	729	15.18	762	16.72	794	18.23	823	19.71	851	21.18	879	22.65	931	25.65	982	28.75

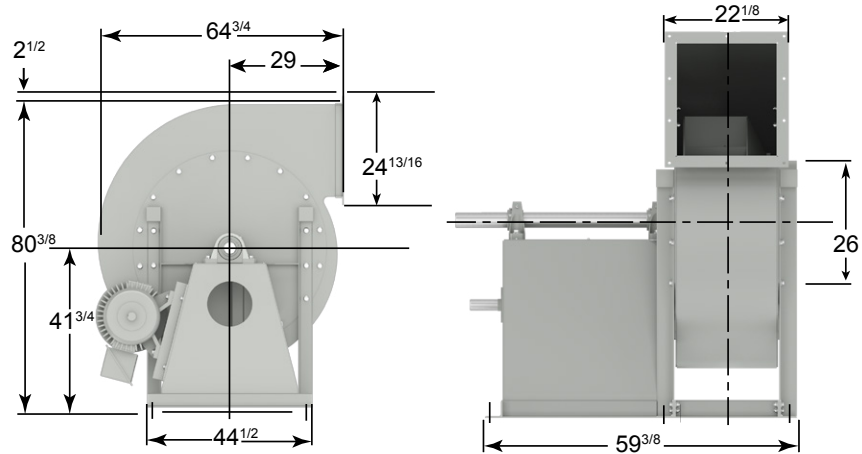
TYPE OT | 23 - 61

CFM	OV	7		8		9		10		11		12		13		14		15	
		RPM	BHP	RPM	BHP	RPM	BHP	RPM	BHP	RPM	BHP	RPM	BHP	RPM	BHP	RPM	BHP	RPM	BHP
4060	1400	858	7.41	916	8.59	970	9.77	1022	10.98	1071	12.21	1118	13.48	1163	14.79	1206	16.14	1248	17.53
4640	1600	860	8.23	918	9.53	972	10.85	1023	12.19	1072	13.54	1119	14.9	1164	16.28	1207	17.68	1249	19.11
5220	1800	864	9.1	920	10.49	974	11.91	1026	13.37	1074	14.85	1121	16.35	1165	17.85	1208	19.37	1250	20.89
5800	2000	869	10.04	925	11.51	978	13.01	1028	14.56	1077	16.14	1123	17.75	1168	19.38	1210	21.03	1252	22.7
6380	2200	875	11.03	930	12.6	982	14.2	1032	15.82	1080	17.48	1126	19.18	1170	20.91	1213	22.67	1254	24.45
6960	2400	882	12.08	936	13.75	988	15.45	1037	17.17	1084	18.92	1130	20.69	1173	22.5	1215	24.34	1256	26.22
7540	2600	889	13.19	943	14.96	995	16.76	1043	18.58	1090	20.43	1135	22.3	1178	24.19	1219	26.11	1260	28.06
8120	2800	898	14.35	951	16.23	1002	18.14	1050	20.06	1096	22.01	1141	23.98	1183	25.97	1225	27.98	1264	30.01
8700	3000	907	15.58	959	17.56	1010	19.58	1057	21.61	1103	23.66	1147	25.73	1189	27.82	1230	29.93	1270	32.06
9280	3200	917	16.88	969	18.96	1018	21.08	1065	23.22	1110	25.37	1154	27.55	1196	29.74	1237	31.96	1276	34.19
9860	3400	927	18.26	978	20.45	1027	22.66	1074	24.9	1119	27.16	1162	29.44	1203	31.74	1243	34.06	1282	36.39
10440	3600	939	19.72	989	22.01	1037	24.32	1083	26.66	1127	29.02	1170	31.41	1211	33.81	1251	36.23	1290	38.67
11020	3800	951	21.25	1000	23.66	1048	26.08	1093	28.51	1137	30.97	1179	33.46	1219	35.97	1259	38.49	1297	41.03
11600	4000	963	22.85	1012	25.39	1059	27.92	1103	30.46	1146	33.02	1188	35.6	1228	38.2	1267	40.83	1305	43.48
12180	4200	976	24.52	1024	27.19	1070	29.84	1114	32.5	1157	35.16	1198	37.84	1238	40.54	1276	43.26	1314	46.01
12760	4400	989	26.25	1037	29.06	1082	31.84	1126	34.62	1168	37.4	1209	40.18	1248	42.98	1286	45.8	1323	48.64
13340	4600	1002	28.05	1049	31	1095	33.92	1138	36.83	1180	39.73	1220	42.63	1258	45.53	1296	48.45	1333	51.39
13920	4800	1016	29.94	1063	33.01	1107	36.08	1150	39.12	1191	42.15	1231	45.17	1270	48.18	1307	51.21	1343	54.25
14500	5000	1030	31.92	1076	35.11	1120	38.31	1163	41.49	1204	44.65	1243	47.8	1281	50.94	1318	54.07	1354	57.22
15080	5200	1045	33.99	1090	37.3	1134	40.62	1176	43.94	1216	47.24	1255	50.52	1293	53.78	1329	57.04	1365	60.3
15660	5400	1060	36.18	1104	39.59	1147	43.02	1189	46.47	1229	49.91	1268	53.33	1305	56.72	1341	60.11	1376	63.48
16240	5600	1075	38.49	1119	41.99	1162	45.53	1203	49.09	1242	52.66	1280	56.22	1317	59.75	1353	63.27	1388	66.77
16820	5800	1091	40.92	1134	44.5	1176	48.14	1216	51.82	1256	55.51	1293	59.2	1330	62.87	1366	66.53	1400	70.16
17400	6000	1107	43.48	1150	47.14	1191	50.88	1231	54.66	1269	58.46	1307	62.27	1343	66.08	1378	69.87	1413	73.64
17980	6200	1124	46.18	1165	49.92	1206	53.74	1245	57.61	1283	61.52	1320	65.45	1356	69.38	1391	73.31	1425	77.22
18560	6400	1141	49.02	1182	52.84	1221	56.74	1260	60.7	1298	64.71	1334	68.75	1370	72.8	1405	76.85	1438	80.89
19140	6600	1159	52.01	1198	55.91	1237	59.88	1275	63.92	1312	68.03	1348	72.16	1384	76.33	1418	80.5	1451	84.67

CFM	OV	16		17		18		20		22		24		26		28		30	
		RPM	BHP	RPM	BHP	RPM	BHP	RPM	BHP	RPM	BHP	RPM	BHP	RPM	BHP	RPM	BHP	RPM	BHP
7540	2600	1299	30.04	1337	32.05	1374	34.09	1446	38.22	1514	42.42	1579	46.68	1642	50.97	1702	55.27	1760	59.58
8120	2800	1303	32.07	1341	34.15	1378	36.27	1449	40.58	1516	44.98	1581	49.45	1644	53.99	1704	58.56	1762	63.17
8700	3000	1308	34.21	1346	36.38	1382	38.57	1452	43.03	1519	47.6	1584	52.26	1646	56.99	1706	61.78	1763	66.63
9280	3200	1314	36.44	1351	38.7	1387	40.99	1457	45.61	1523	50.32	1587	55.14	1648	60.05	1708	65.03	1765	70.08
9860	3400	1320	38.74	1357	41.11	1393	43.49	1462	48.31	1528	53.19	1591	58.15	1652	63.21	1711	68.36	1768	73.58
10440	3600	1327	41.12	1364	43.59	1399	46.07	1468	51.09	1533	56.17	1596	61.31	1656	66.51	1714	71.8	1771	77.18
11020	3800	1334	43.59	1370	46.16	1406	48.75	1474	53.96	1539	59.24	1601	64.57	1661	69.96	1719	75.41	1775	80.93
11600	4000	1342	46.14	1378	48.82	1413	51.5	1480	56.92	1545	62.4	1607	67.93	1667	73.51	1724	79.15	1780	84.85
12180	4200	1350	48.78	1386	51.56	1421	54.35	1488	59.98	1552	65.65	1613	71.38	1672	77.16	1730	83	1785	88.88
12760	4400	1359	51.51	1394	54.39	1429	57.29	1495	63.12	1559	69	1620	74.93	1679	80.91	1736	86.94	1790	93.02
13340	4600	1368	54.34	1403	57.32	1437	60.33	1503	66.37	1566	72.45	1627	78.59	1685	84.77	1742	90.99	1796	97.26
13920	4800	1378	57.3	1413	60.37	1446	63.46	1512	69.71	1574	76	1634	82.34	1692	88.72	1749	95.15	1803	101.6
14500	5000	1389	60.37	1423	63.54	1456	66.72	1521	73.15	1583	79.66	1642	86.2	1700	92.79	1756	99.41	1810	106.1
15080	5200	1399	63.56	1433	66.83	1466	70.11	1530	76.72	1591	83.41	1651	90.17	1708	96.96	1763	103.8	1817	110.7
15660	5400	1411	66.86	1444	70.24	1477	73.62	1540	80.43	1601	87.3	1659	94.24	1716	101.2	1771	108.3	1824	115.3
16240	5600	1422	70.27	1455	73.76	1488	77.26	1550	84.27	1611	91.32	1669	98.44	1725	105.6	1779	112.9	1832	120.2
16820	5800	1434	73.78	1467	77.39	1499	81	1561	88.23	1621	95.49	1678	102.8	1734	110.2	1788	117.6	1840	125.1
17400	6000	1446	77.4	1479	81.14	1511	84.87	1572	92.32	1631	99.79	1688	107.3	1743	114.8	1797	122.4	1849	130.1
17980	6200	1459	81.11	1491	84.98	1522	88.84	1583	96.53	1642	104.2	1699	111.9	1753	119.7	1806	127.4	1858	135.3
18560	6400	1471	84.92	1503	88.93	1535	92.92	1595	100.9	1653	108.8	1709	116.7	1764	124.6	1816	132.6	1867	140.6
19140	6600	1484	88.83	1516	92.98	1547	97.1	1607	105.3	1665	113.5	1720	121.6	1774	129.8	1826	137.9	1877	146.1
19720	6800	1497	92.84	1529	97.12	1560	101.4	1619	109.9	1677	118.3	1732	126.6	1785	135	1837	143.4	1887	151.8
20300	7000	1510	96.97	1542	101.4	1572	105.8	1632	114.5	1689	123.2	1743	131.8	1796	140.4	1848	149	1898	157.6
20880	7200	1524	101.2	1555	105.8	1585	110.3	1644	119.3	1701	128.2	1755	137.1	1808	145.9	1859	154.8	1908	163.6
21460	7400	1538	105.6	1569	110.2	1599	114.9	1657	124.2	1713	133.4	1767	142.5	1820	151.6	1870	160.6	-	-

Performance certified is for Installation Type D: ducted inlet, ducted outlet. Performance ratings do not include the effects of appurtenances. Power rating (BHP) does not include transmission losses. Bold data shows fans maximum static efficiency.

TYPE OT | 26 - 61



CFM	OV	STATIC PRESSURE																	
		1		1.5		2		2.5		3		3.5		4		5		6	
		RPM	BHP	RPM	BHP	RPM	BHP	RPM	BHP	RPM	BHP	RPM	BHP	RPM	BHP	RPM	BHP	RPM	BHP
3690	1000	299	0.93	359	1.37	411	1.84	457	2.33	499	2.84	538	3.37	575	3.9	641	4.99	702	6.13
4428	1200	308	1.15	366	1.67	416	2.2	461	2.75	502	3.31	541	3.9	577	4.51	643	5.76	703	7.05
5166	1400	317	1.42	373	2	423	2.6	467	3.21	507	3.84	545	4.48	580	5.14	645	6.52	705	7.95
5904	1600	329	1.71	383	2.37	430	3.03	474	3.72	513	4.41	550	5.12	585	5.85	649	7.33	708	8.87
6642	1800	341	2.05	393	2.79	440	3.52	482	4.27	521	5.03	557	5.81	591	6.6	654	8.22	712	9.87
7380	2000	354	2.42	405	3.24	450	4.06	491	4.88	529	5.71	564	6.55	598	7.41	660	9.16	717	10.95
8118	2200	367	2.85	417	3.74	461	4.65	501	5.55	538	6.45	573	7.35	606	8.28	667	10.16	723	12.08
8856	2400	382	3.35	430	4.3	473	5.29	512	6.27	548	7.25	582	8.23	614	9.21	674	11.23	730	13.29
9594	2600	398	3.91	443	4.92	485	5.97	523	7.04	559	8.11	592	9.17	624	10.22	683	12.36	737	14.56
10332	2800	415	4.54	458	5.61	498	6.73	535	7.87	570	9.03	603	10.17	634	11.31	692	13.59	745	15.9
11070	3000	431	5.25	473	6.39	511	7.56	548	8.77	582	10	614	11.23	645	12.46	702	14.89	754	17.34
11808	3200	449	6.04	489	7.25	526	8.47	561	9.74	594	11.05	626	12.36	656	13.67	712	16.28	764	18.87
12546	3400	466	6.9	505	8.2	541	9.48	575	10.8	607	12.17	638	13.56	668	14.96	723	17.74	774	20.49
13284	3600	484	7.85	522	9.23	557	10.59	589	11.96	621	13.39	651	14.84	680	16.31	734	19.27	785	22.19
14022	3800	502	8.89	539	10.36	573	11.8	604	13.23	635	14.7	664	16.22	693	17.76	746	20.87	796	23.97
14760	4000	520	10.03	556	11.59	589	13.1	620	14.61	650	16.13	678	17.7	706	19.3	758	22.56	807	25.83
15498	4200	539	11.26	574	12.92	606	14.52	636	16.1	665	17.68	692	19.29	719	20.95	771	24.34	819	27.77
16236	4400	557	12.61	592	14.35	623	16.04	653	17.7	680	19.35	707	21.02	733	22.72	784	26.23	831	29.81
16974	4600	576	14.07	610	15.88	640	17.67	669	19.41	696	21.13	723	22.87	748	24.62	797	28.24	844	31.95
17712	4800	596	15.65	628	17.54	658	19.42	686	21.25	713	23.05	738	24.84	763	26.66	811	30.37	857	34.21
18450	5000	615	17.35	646	19.32	676	21.28	703	23.2	730	25.09	755	26.95	779	28.83	825	32.65	870	36.59

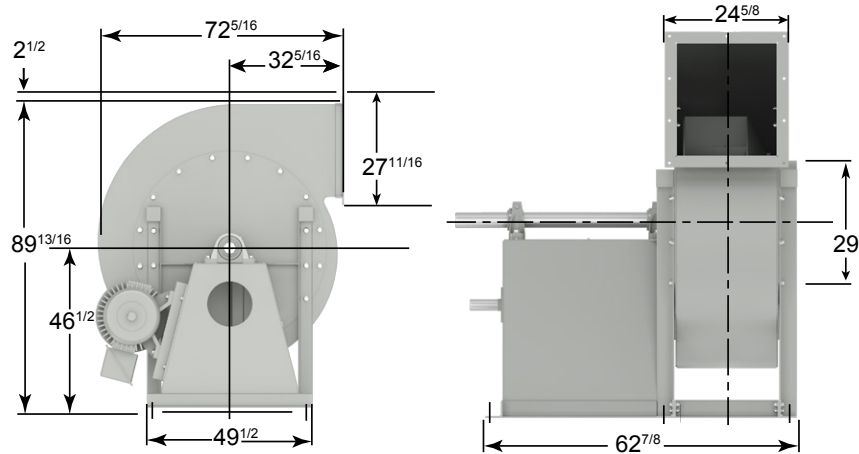
TYPE OT | 26 - 61

CFM	OV	7		8		9		10		11		12		13		14		15	
		RPM	BHP	RPM	BHP	RPM	BHP	RPM	BHP	RPM	BHP	RPM	BHP	RPM	BHP	RPM	BHP	RPM	BHP
5166	1400	760	9.43	812	10.93	860	12.44	906	13.97	949	15.54	991	17.16	1031	18.82	1069	20.54	1105	22.32
5904	1600	762	10.48	814	12.13	862	13.81	907	15.52	950	17.23	992	18.96	1032	20.71	1070	22.5	1107	24.32
6642	1800	765	11.58	816	13.34	864	15.16	909	17.01	952	18.9	994	20.81	1033	22.72	1071	24.65	1108	26.58
7380	2000	770	12.78	820	14.64	867	16.56	911	18.53	954	20.54	995	22.59	1035	24.67	1073	26.77	1110	28.89
8118	2200	775	14.04	825	16.04	871	18.07	915	20.13	957	22.25	998	24.41	1037	26.61	1075	28.85	1111	31.11
8856	2400	781	15.38	830	17.5	876	19.66	920	21.85	961	24.08	1001	26.33	1040	28.63	1077	30.98	1114	33.36
9594	2600	788	16.78	836	19.04	882	21.33	925	23.65	966	26	1006	28.38	1044	30.79	1081	33.23	1117	35.71
10332	2800	796	18.26	843	20.66	888	23.08	931	25.53	972	28.01	1011	30.52	1049	33.05	1085	35.61	1121	38.2
11070	3000	804	19.82	850	22.35	895	24.91	937	27.5	978	30.11	1017	32.74	1054	35.41	1091	38.09	1126	40.8
11808	3200	813	21.48	859	24.13	902	26.83	944	29.55	984	32.29	1023	35.06	1060	37.85	1096	40.67	1131	43.51
12546	3400	822	23.24	867	26.02	910	28.83	952	31.69	992	34.57	1030	37.47	1067	40.39	1102	43.34	1137	46.31
13284	3600	832	25.1	877	28.01	919	30.95	960	33.93	999	36.94	1037	39.98	1073	43.03	1109	46.11	1143	49.21
14022	3800	843	27.05	887	30.11	929	33.19	969	36.28	1007	39.41	1045	42.58	1081	45.78	1116	48.99	1150	52.22
14760	4000	853	29.08	897	32.31	938	35.53	978	38.76	1016	42.02	1053	45.3	1089	48.62	1123	51.97	1157	55.34
15498	4200	865	31.2	908	34.6	949	37.98	988	41.36	1026	44.75	1062	48.16	1097	51.59	1131	55.06	1165	58.56
16236	4400	876	33.4	919	36.98	959	40.53	998	44.06	1035	47.6	1071	51.14	1106	54.7	1140	58.29	1173	61.91
16974	4600	888	35.7	930	39.45	970	43.17	1009	46.87	1046	50.56	1081	54.25	1116	57.95	1149	61.66	1181	65.4
17712	4800	900	38.1	942	42.01	982	45.92	1020	49.79	1056	53.64	1091	57.48	1125	61.32	1158	65.17	1190	69.04
18450	5000	913	40.62	954	44.68	993	48.75	1031	52.81	1067	56.83	1102	60.83	1135	64.82	1168	68.82	1200	72.82
19188	5200	926	43.26	966	47.47	1005	51.7	1042	55.92	1078	60.12	1113	64.29	1146	68.48	1178	72.59	1210	76.74
19926	5400	939	46.05	979	50.38	1017	54.75	1054	59.14	1089	63.52	1124	67.87	1157	72.19	1189	76.5	1220	80.79
20664	5600	953	48.98	992	53.43	1030	57.94	1066	62.48	1101	67.02	1135	71.55	1168	76.05	1200	80.52	1231	84.98
21402	5800	967	52.07	1005	56.64	1042	61.27	1078	65.95	1113	70.64	1147	75.34	1179	80.02	1211	84.67	1241	89.29
22140	6000	981	55.33	1019	60	1055	64.75	1091	69.56	1125	74.4	1158	79.25	1191	84.1	1222	88.92	1252	93.72
22878	6200	996	58.77	1033	63.53	1069	68.39	1104	73.32	1138	78.3	1170	83.3	1202	88.3	1233	93.3	1264	98.28
23616	6400	1011	62.39	1047	67.25	1083	72.21	1117	77.25	1150	82.35	1183	87.49	1214	92.65	1245	97.8	1275	103
24354	6600	1027	66.19	1062	71.15	1097	76.2	1130	81.35	1163	86.57	1195	91.84	1227	97.14	1257	102.4	1287	107.8

CFM	OV	16		17		18		20		22		24		26		28		30	
		RPM	BHP	RPM	BHP	RPM	BHP	RPM	BHP	RPM	BHP	RPM	BHP	RPM	BHP	RPM	BHP	RPM	BHP
9594	2600	1151	38.23	1185	40.79	1218	43.38	1282	48.64	1342	53.99	1400	59.41	1455	64.87	1509	70.34	1560	75.83
10332	2800	1155	40.81	1188	43.47	1221	46.16	1284	51.65	1344	57.25	1402	62.94	1457	68.71	1510	74.53	1561	80.39
11070	3000	1160	43.54	1193	46.3	1225	49.09	1287	54.76	1347	60.58	1404	66.51	1459	72.53	1512	78.63	1563	84.8
11808	3200	1165	46.37	1198	49.26	1230	52.17	1291	58.05	1350	64.04	1407	70.17	1461	76.42	1514	82.76	1565	89.19
12546	3400	1170	49.3	1203	52.31	1235	55.35	1296	61.48	1354	67.7	1410	74	1464	80.44	1516	86.99	1567	93.65
13284	3600	1176	52.34	1209	55.48	1240	58.64	1301	65.02	1359	71.49	1414	78.03	1468	84.65	1519	91.38	1570	98.23
14022	3800	1183	55.47	1215	58.75	1246	62.04	1306	68.68	1364	75.39	1419	82.18	1472	89.04	1524	95.98	1573	103
14760	4000	1190	58.72	1221	62.13	1252	65.55	1312	72.44	1370	79.41	1424	86.45	1477	93.56	1528	100.7	1577	108
15498	4200	1197	62.08	1229	65.62	1259	69.17	1319	76.33	1375	83.55	1430	90.85	1482	98.2	1533	105.6	1582	113.1
16236	4400	1205	65.55	1236	69.23	1266	72.91	1325	80.33	1382	87.82	1436	95.37	1488	103	1538	110.6	1587	118.4
16974	4600	1213	69.16	1244	72.95	1274	76.77	1332	84.46	1388	92.21	1442	100	1494	107.9	1544	115.8	1592	123.8
17712	4800	1222	72.92	1252	76.83	1282	80.76	1340	88.71	1395	96.73	1449	104.8	1500	112.9	1550	121.1	1598	129.3
18450	5000	1231	76.83	1261	80.86	1291	84.92	1348	93.1	1403	101.4	1456	109.7	1507	118.1	1556	126.5	1604	135
19188	5200	1241	80.89	1270	85.05	1300	89.23	1356	97.64	1411	106.2	1463	114.8	1514	123.4	1563	132.1	1610	140.8
19926	5400	1250	85.09	1280	89.39	1309	93.7	1365	102.4	1419	111.1	1471	119.9	1521	128.8	1570	137.8	1617	146.8
20664	5600	1261	89.43	1290	93.87	1319	98.32	1374	107.2	1428	116.2	1479	125.3	1529	134.4	1577	143.7	1624	152.9
21402	5800	1271	93.9	1300	98.5	1329	103.1	1384	112.3	1437	121.5	1488	130.8	1537	140.2	1585	149.7	1631	159.2
22140	6000	1282	98.5	1311	103.3	1339	108	1394	117.5	1446	127	1497	136.5	1545	146.1	1593	155.8	1639	165.6
22878	6200	1293	103.2	1322	108.2	1350	113.1	1404	122.9	1456	132.6	1506	142.4	1554	152.3	1601	162.2	1647	172.2
23616	6400	1304	108.1	1333	113.2	1360	118.3	1414	128.4	1466	138.4	1515	148.5	1563	158.6	1610	168.8	1655	179
24354	6600	1316	113.1	1344	118.3	1371	123.6	1425	134	1476	144.4	1525	154.8	1573	165.1	1619	175.5	1664	186
25092	6800	1327	118.2	1355	123.6	1382	129	1435	139.8	1486	150.5	1535	161.2	1582	171.8	1628	182.5	1673	193.2
25830	7000	1339	123.4	1367	129	1394	134.6	1446	145.7	1497	156.8	1545	167.7	1592	178.7	1638	189.6	1682	200.6
26568	7200	1351	128.8	1378	134.6	1405	140.3	1458	151.8	1508	163.2	1556	174.5	1603	185.7	1648	197	1692	208.2
27306	7400	1363	134.4	1390	140.3	1417	146.2	1469	158	1519	169.7	1567	181.4	1613	192.9	1658	204.5	-	-

Performance certified is for Installation Type D: ducted inlet, ducted outlet. Performance ratings do not include the effects of appurtenances. Power rating (BHP) does not include transmission losses. Bold data shows fans maximum static efficiency.

TYPE OT | 29 - 61



CFM	OV	STATIC PRESSURE																	
		1		1.5		2		2.5		3		3.5		4		5		6	
		RPM	BHP	RPM	BHP	RPM	BHP	RPM	BHP	RPM	BHP	RPM	BHP	RPM	BHP	RPM	BHP	RPM	BHP
4620	1000	267	1.16	321	1.72	367	2.3	408	2.91	446	3.56	481	4.22	514	4.89	573	6.25	627	7.68
5544	1200	275	1.45	327	2.09	372	2.75	412	3.44	449	4.15	483	4.88	515	5.64	575	7.22	628	8.83
6468	1400	284	1.78	334	2.5	378	3.25	417	4.02	453	4.81	487	5.62	518	6.44	577	8.16	630	9.96
7392	1600	294	2.15	342	2.97	385	3.8	423	4.65	459	5.53	492	6.42	523	7.32	580	9.18	632	11.11
8316	1800	304	2.56	351	3.49	393	4.41	430	5.35	465	6.31	498	7.28	528	8.27	585	10.29	636	12.37
9240	2000	316	3.03	362	4.06	402	5.09	439	6.11	472	7.15	504	8.21	534	9.28	590	11.47	641	13.71
10164	2200	328	3.57	372	4.69	412	5.82	448	6.95	481	8.07	512	9.21	541	10.37	596	12.73	646	15.13
11088	2400	342	4.19	384	5.38	422	6.62	457	7.85	490	9.08	520	10.3	549	11.54	603	14.06	652	16.64
12012	2600	356	4.9	396	6.16	433	7.48	468	8.82	499	10.16	529	11.48	557	12.8	610	15.49	659	18.23
12936	2800	370	5.69	409	7.03	445	8.42	478	9.86	510	11.3	539	12.74	567	14.16	618	17.02	666	19.92
13860	3000	386	6.58	423	8	457	9.46	489	10.98	520	12.53	549	14.07	576	15.6	627	18.65	674	21.72
14784	3200	401	7.56	437	9.08	470	10.61	501	12.2	531	13.83	559	15.48	586	17.13	636	20.38	683	23.63
15708	3400	417	8.65	451	10.26	483	11.87	514	13.53	543	15.24	570	16.98	597	18.73	646	22.21	692	25.66
16632	3600	432	9.83	466	11.56	497	13.26	527	14.99	555	16.76	582	18.59	608	20.43	656	24.13	701	27.79
17556	3800	449	11.14	482	12.98	512	14.77	540	16.57	567	18.41	594	20.31	619	22.24	667	26.14	711	30.02
18480	4000	465	12.56	497	14.52	527	16.41	554	18.3	580	20.21	606	22.16	631	24.17	678	28.25	721	32.35
19404	4200	481	14.11	513	16.18	542	18.18	568	20.16	594	22.14	619	24.16	643	26.24	689	30.48	732	34.78
20328	4400	498	15.79	529	17.97	557	20.09	583	22.16	608	24.23	632	26.32	655	28.45	700	32.85	743	37.33
21252	4600	515	17.62	545	19.89	572	22.13	598	24.31	622	26.47	646	28.64	668	30.84	712	35.36	754	40.01
22176	4800	532	19.6	561	21.97	588	24.32	613	26.61	637	28.86	660	31.12	682	33.38	725	38.04	766	42.84
23100	5000	549	21.73	577	24.19	604	26.65	629	29.06	652	31.42	674	33.76	696	36.11	738	40.89	777	45.83

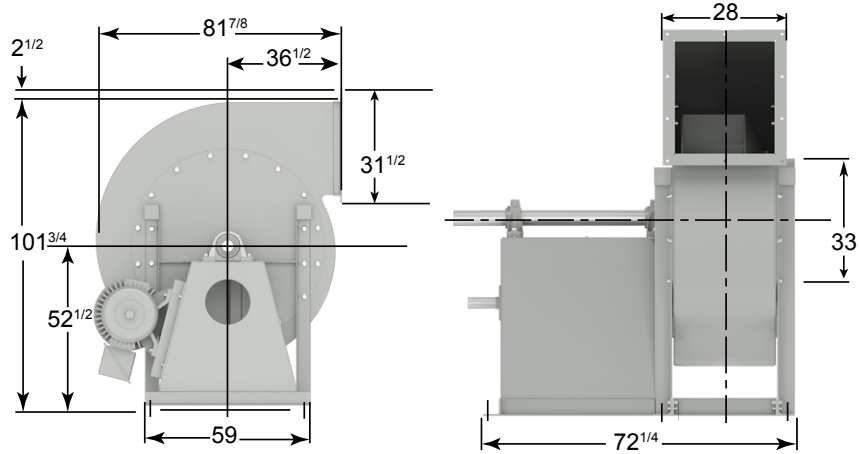
TYPE OT | 29 - 61

CFM	OV	7		8		9		10		11		12		13		14		15	
		RPM	BHP	RPM	BHP	RPM	BHP	RPM	BHP	RPM	BHP	RPM	BHP	RPM	BHP	RPM	BHP	RPM	BHP
6468	1400	679	11.81	725	13.69	768	15.58	809	17.5	848	19.47	885	21.49	921	23.58	955	25.73	989	27.95
7392	1600	681	13.12	727	15.19	770	17.3	811	19.44	849	21.58	886	23.75	922	25.94	956	28.18	989	30.46
8316	1800	684	14.5	729	16.71	772	18.99	812	21.31	851	23.67	888	26.06	923	28.46	957	30.87	990	33.29
9240	2000	688	16	732	18.34	774	20.74	814	23.21	853	25.73	889	28.29	925	30.89	959	33.53	991	36.18
10164	2200	693	17.59	737	20.09	778	22.63	818	25.22	855	27.86	892	30.57	927	33.33	960	36.13	993	38.96
11088	2400	698	19.26	742	21.92	783	24.62	822	27.37	859	30.15	895	32.98	929	35.86	963	38.8	995	41.79
12012	2600	704	21.02	747	23.85	788	26.72	826	29.62	863	32.56	899	35.54	933	38.6	966	41.61	998	44.72
12936	2800	711	22.87	753	25.87	793	28.91	832	31.98	868	35.08	903	38.22	937	41.39	970	44.6	1002	47.84
13860	3000	718	24.83	760	28	800	31.2	837	34.44	874	37.71	909	41.01	942	44.34	975	47.71	1006	51.1
14784	3200	726	26.91	767	30.23	806	33.6	844	37.01	880	40.44	914	43.91	947	47.41	979	50.93	1011	54.49
15708	3400	735	29.11	775	32.59	814	36.11	851	39.69	886	43.29	920	46.93	953	50.59	985	54.28	1016	58
16632	3600	744	31.43	783	35.09	821	38.77	858	42.49	893	46.26	927	50.07	959	53.9	991	57.75	1021	61.64
17556	3800	753	33.87	792	37.71	830	41.56	866	45.44	900	49.36	934	53.33	966	57.33	997	61.35	1027	65.4
18480	4000	763	36.42	802	40.46	839	44.5	874	48.55	908	52.62	941	56.74	973	60.89	1004	65.09	1034	69.3
19404	4200	773	39.08	811	43.33	848	47.56	883	51.8	916	56.04	949	60.31	980	64.61	1011	68.96	1041	73.34
20328	4400	783	41.83	821	46.31	857	50.76	892	55.18	925	59.61	957	64.05	988	68.51	1019	73	1048	77.53
21252	4600	794	44.71	831	49.41	867	54.07	901	58.71	934	63.32	966	67.94	997	72.58	1027	77.23	1056	81.91
22176	4800	805	47.72	842	52.62	877	57.51	911	62.36	944	67.18	975	71.99	1006	76.8	1035	81.62	1064	86.46
23100	5000	816	50.87	852	55.96	887	61.06	921	66.13	953	71.17	985	76.19	1015	81.19	1044	86.19	1072	91.2
24024	5200	827	54.18	863	59.45	898	64.74	931	70.03	963	75.3	994	80.52	1024	85.73	1053	90.92	1081	96.11
24948	5400	839	57.67	875	63.1	909	68.58	942	74.07	973	79.55	1004	85	1034	90.41	1062	95.81	1090	101.2
25872	5600	851	61.34	886	66.92	920	72.57	952	78.25	984	83.94	1014	89.61	1044	95.24	1072	100.8	1100	106.4
26796	5800	864	65.22	898	70.93	931	76.74	963	82.6	994	88.48	1025	94.35	1054	100.2	1082	106	1109	111.8
27720	6000	877	69.3	911	75.14	943	81.1	975	87.12	1005	93.18	1035	99.26	1064	105.3	1092	111.4	1119	117.4
28644	6200	890	73.61	923	79.57	955	85.66	986	91.83	1016	98.06	1046	104.3	1074	110.6	1102	116.9	1129	123.1
29568	6400	904	78.14	936	84.22	967	90.43	998	96.75	1028	103.1	1057	109.6	1085	116	1113	122.5	1139	128.9
30492	6600	918	82.9	949	89.11	980	95.44	1010	101.9	1039	108.4	1068	115	1096	121.7	1123	128.3	1150	135

CFM	OV	16		17		18		20		22		24		26		28		30	
		RPM	BHP	RPM	BHP	RPM	BHP	RPM	BHP	RPM	BHP	RPM	BHP	RPM	BHP	RPM	BHP	RPM	BHP
12012	2600	1029	47.88	1059	51.09	1089	54.33	1145	60.92	1199	67.62	1251	74.41	1301	81.25	1348	88.09	1394	94.97
12936	2800	1032	51.11	1062	54.44	1091	57.81	1147	64.68	1201	71.7	1253	78.83	1302	86.05	1350	93.34	1395	100.7
13860	3000	1036	54.53	1066	57.99	1095	61.48	1150	68.59	1203	75.87	1254	83.29	1304	90.84	1351	98.48	1397	106.2
14784	3200	1041	58.08	1070	61.69	1099	65.33	1154	72.7	1206	80.21	1257	87.89	1306	95.71	1353	103.7	1398	111.7
15708	3400	1046	61.75	1075	65.52	1103	69.32	1158	77	1210	84.79	1260	92.68	1308	100.7	1355	109	1400	117.3
16632	3600	1051	65.55	1080	69.48	1108	73.44	1162	81.43	1214	89.53	1264	97.72	1312	106	1358	114.4	1403	123
17556	3800	1057	69.48	1086	73.57	1113	77.7	1167	86.01	1219	94.42	1268	102.9	1316	111.5	1361	120.2	1406	129
18480	4000	1063	73.54	1091	77.81	1119	82.09	1173	90.73	1224	99.46	1273	108.3	1320	117.2	1366	126.2	1410	135.2
19404	4200	1070	77.75	1098	82.18	1125	86.63	1178	95.6	1229	104.6	1278	113.8	1325	123	1370	132.3	1414	141.7
20328	4400	1077	82.1	1104	86.7	1132	91.32	1184	100.6	1235	110	1283	119.4	1330	129	1375	138.6	1418	148.3
21252	4600	1084	86.62	1112	91.37	1139	96.15	1191	105.8	1241	115.5	1289	125.3	1335	135.1	1380	145	1423	155
22176	4800	1092	91.33	1119	96.22	1146	101.2	1197	111.1	1247	121.1	1295	131.2	1341	141.4	1385	151.7	1428	162
23100	5000	1100	96.23	1127	101.3	1153	106.4	1204	116.6	1254	127	1301	137.4	1347	147.9	1391	158.5	1433	169.1
24024	5200	1108	101.3	1135	106.5	1161	111.8	1212	122.3	1261	133	1307	143.7	1353	154.5	1397	165.4	1439	176.4
24948	5400	1117	106.6	1144	112	1170	117.4	1220	128.2	1268	139.1	1314	150.2	1359	161.4	1403	172.6	1445	183.8
25872	5600	1126	112	1153	117.6	1178	123.1	1228	134.3	1276	145.6	1322	156.9	1366	168.4	1409	179.9	1451	191.5
26796	5800	1136	117.6	1162	123.4	1187	129.1	1236	140.6	1284	152.2	1329	163.8	1373	175.6	1416	187.4	1458	199.4
27720	6000	1145	123.4	1171	129.3	1196	135.3	1245	147.2	1292	159.1	1337	171	1381	183	1423	195.2	1465	207.4
28644	6200	1155	129.3	1181	135.5	1206	141.6	1254	153.9	1301	166.1	1345	178.4	1389	190.7	1431	203.1	1472	215.6
29568	6400	1165	135.4	1191	141.7	1216	148.1	1263	160.8	1310	173.4	1354	186	1397	198.7	1439	211.4	1479	224.2
30492	6600	1175	141.6	1201	148.2	1225	154.8	1273	167.8	1319	180.8	1363	193.8	1405	206.8	1447	219.8	1487	232.9
31416	6800	1186	148	1211	154.8	1235	161.6	1283	175.1	1328	188.5	1372	201.9	1414	215.2	1455	228.5	1495	241.9
32340	7000	1196	154.6	1221	161.6	1245	168.6	1292	182.5	1338	196.3	1381	210.1	1423	223.8	1464	237.5	1503	251.2
33264	7200	1207	161.3	1232	168.6	1256	175.8	1302	190.1	1347	204.4	1390	218.5	1432	232.6	1472	246.7	1512	260.7
34188	7400	1218	168.3	1242	175.7	1266	183.1	1313	197.9	1357	212.6	1400	227.2	1441	241.6	1481	256.1	-	-

Performance certified is for Installation Type D: ducted inlet, ducted outlet. Performance ratings do not include the effects of appurtenances. Power rating (BHP) does not include transmission losses. Bold data shows fans maximum static efficiency.

TYPE OT | 33 - 61



CFM	OV	STATIC PRESSURE																	
		1		1.5		2		2.5		3		3.5		4		5		6	
		RPM	BHP	RPM	BHP	RPM	BHP	RPM	BHP	RPM	BHP	RPM	BHP	RPM	BHP	RPM	BHP	RPM	BHP
5990	1000	235	1.51	282	2.23	322	2.98	359	3.78	392	4.61	422	5.47	451	6.34	503	8.11	551	9.95
7188	1200	241	1.87	287	2.71	326	3.57	362	4.46	394	5.38	424	6.33	453	7.32	505	9.35	552	11.44
8386	1400	249	2.3	293	3.24	332	4.21	366	5.21	398	6.23	428	7.28	455	8.35	507	10.58	553	12.91
9584	1600	258	2.78	300	3.85	338	4.92	372	6.03	403	7.17	432	8.32	459	9.49	509	11.9	555	14.41
10782	1800	267	3.32	309	4.52	345	5.72	378	6.93	408	8.17	437	9.44	464	10.72	513	13.34	559	16.03
11980	2000	277	3.93	318	5.27	353	6.6	385	7.92	415	9.27	443	10.64	469	12.03	518	14.87	563	17.78
13178	2200	288	4.63	327	6.08	362	7.55	393	9.01	422	10.47	449	11.94	475	13.44	523	16.5	567	19.62
14376	2400	300	5.43	337	6.98	371	8.58	402	10.18	430	11.77	457	13.36	482	14.96	529	18.23	573	21.57
15574	2600	312	6.35	348	7.98	380	9.7	411	11.44	439	13.17	465	14.88	490	16.6	536	20.08	579	23.63
16772	2800	325	7.38	359	9.11	391	10.92	420	12.78	447	14.66	473	16.51	498	18.36	543	22.06	585	25.82
17970	3000	339	8.53	371	10.37	401	12.27	430	14.24	457	16.24	482	18.24	506	20.23	551	24.18	592	28.15
19168	3200	352	9.8	384	11.77	413	13.75	440	15.82	466	17.93	491	20.07	515	22.2	559	26.43	600	30.64
20366	3400	366	11.21	396	13.31	424	15.39	451	17.54	477	19.76	501	22.02	524	24.28	568	28.8	608	33.27
21564	3600	380	12.75	410	14.99	437	17.19	462	19.43	487	21.73	511	24.1	534	26.49	576	31.28	616	36.03
22762	3800	394	14.44	423	16.83	449	19.15	474	21.49	498	23.87	521	26.33	544	28.83	586	33.88	625	38.92
23960	4000	408	16.28	437	18.82	462	21.28	487	23.72	510	26.19	532	28.74	554	31.33	595	36.62	634	41.94
25158	4200	423	18.29	450	20.97	476	23.57	499	26.13	522	28.71	543	31.33	565	34.01	605	39.52	643	45.09
26356	4400	437	20.47	464	23.29	489	26.04	512	28.73	534	31.41	555	34.12	576	36.89	615	42.59	652	48.4
27554	4600	452	22.84	478	25.79	503	28.69	525	31.52	547	34.32	567	37.13	587	39.98	626	45.85	662	51.87
28752	4800	467	25.4	493	28.48	516	31.53	539	34.5	559	37.42	580	40.34	599	43.28	636	49.31	672	55.54
29950	5000	483	28.17	507	31.36	530	34.55	552	37.67	573	40.73	592	43.77	611	46.81	648	53.01	683	59.41

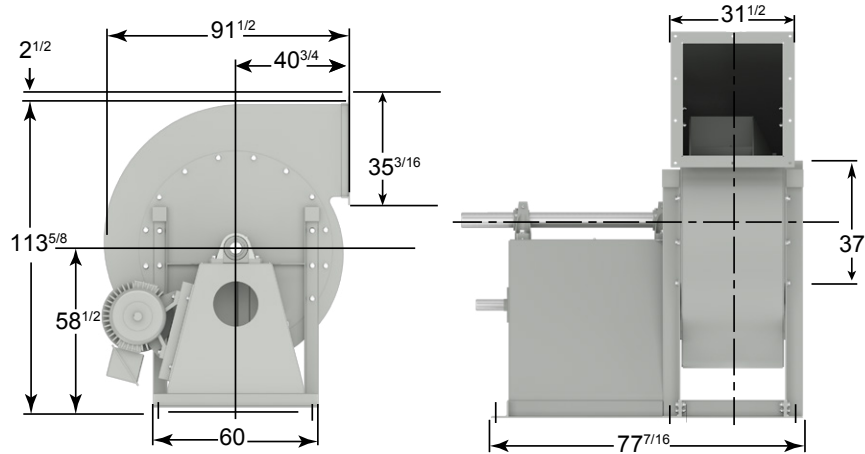
TYPE OT | 33 - 61

CFM	OV	7		8		9		10		11		12		13		14		15	
		RPM	BHP	RPM	BHP	RPM	BHP	RPM	BHP	RPM	BHP	RPM	BHP	RPM	BHP	RPM	BHP	RPM	BHP
8386	1400	597	15.31	637	17.74	675	20.19	711	22.69	745	25.24	777	27.86	809	30.57	839	33.35	868	36.23
9584	1600	598	17.01	638	19.69	676	22.43	712	25.2	746	27.98	778	30.79	810	33.63	840	36.53	869	39.49
10782	1800	601	18.8	640	21.67	678	24.61	713	27.62	747	30.68	780	33.78	811	36.9	841	40.02	869	43.16
11980	2000	604	20.74	643	23.78	680	26.89	715	30.09	749	33.35	781	36.68	812	40.05	842	43.46	871	46.91
13178	2200	609	22.8	647	26.04	683	29.34	718	32.69	751	36.12	783	39.64	814	43.21	844	46.84	872	50.52
14376	2400	613	24.97	651	28.42	687	31.92	722	35.48	754	39.09	786	42.75	816	46.49	845	50.3	874	54.17
15574	2600	619	27.25	656	30.92	692	34.64	726	38.4	758	42.22	789	46.08	819	49.99	848	53.95	876	57.98
16772	2800	624	29.66	662	33.54	697	37.48	730	41.46	763	45.48	793	49.55	823	53.66	852	57.82	880	62.02
17970	3000	631	32.19	667	36.3	702	40.45	736	44.65	767	48.89	798	53.17	827	57.49	856	61.85	883	66.25
19168	3200	638	34.88	674	39.19	708	43.56	741	47.98	773	52.43	803	56.93	832	61.46	860	66.03	888	70.64
20366	3400	645	37.74	681	42.25	715	46.82	747	51.45	778	56.13	808	60.84	837	65.59	865	70.37	892	75.19
21564	3600	653	40.75	688	45.49	721	50.26	753	55.08	784	59.98	814	64.91	842	69.88	870	74.88	897	79.91
22762	3800	661	43.91	696	48.89	729	53.88	760	58.91	791	64	820	69.14	848	74.32	876	79.54	902	84.79
23960	4000	670	47.22	704	52.46	736	57.69	768	62.94	798	68.22	826	73.55	854	78.94	882	84.38	908	89.85
25158	4200	679	50.66	712	56.18	745	61.66	775	67.15	805	72.65	833	78.19	861	83.77	888	89.4	914	95.08
26356	4400	688	54.24	721	60.04	753	65.8	783	71.54	813	77.28	841	83.04	868	88.82	895	94.64	920	100.5
27554	4600	697	57.96	730	64.06	762	70.1	792	76.11	821	82.1	848	88.09	875	94.09	902	100.1	927	106.2
28752	4800	707	61.86	739	68.22	770	74.55	800	80.84	829	87.1	856	93.33	883	99.57	909	105.8	934	112.1
29950	5000	716	65.95	749	72.55	779	79.16	809	85.74	837	92.27	865	98.77	891	105.3	917	111.7	942	118.2
31148	5200	727	70.24	758	77.07	789	83.94	818	90.8	846	97.62	873	104.4	899	111.1	925	117.9	949	124.6
32346	5400	737	74.76	768	81.8	798	88.9	827	96.03	855	103.1	882	110.2	908	117.2	933	124.2	957	131.2
33544	5600	748	79.53	778	86.76	808	94.08	837	101.4	864	108.8	891	116.2	916	123.5	941	130.7	966	138
34742	5800	759	84.55	789	91.96	818	99.49	846	107.1	873	114.7	900	122.3	925	129.9	950	137.5	974	145
35940	6000	770	89.84	800	97.42	828	105.1	856	112.9	883	120.8	909	128.7	934	136.5	959	144.4	983	152.2
37138	6200	782	95.43	811	103.2	839	111	866	119.1	893	127.1	918	135.2	944	143.4	968	151.5	992	159.6
38336	6400	794	101.3	822	109.2	850	117.2	877	125.4	903	133.7	928	142.1	953	150.4	977	158.8	1001	167.2
39534	6600	806	107.5	834	115.5	861	123.7	887	132.1	913	140.6	938	149.1	963	157.7	986	166.3	1010	175

CFM	OV	16		17		18		20		22		24		26		28		30	
		RPM	BHP	RPM	BHP	RPM	BHP	RPM	BHP	RPM	BHP	RPM	BHP	RPM	BHP	RPM	BHP	RPM	BHP
15574	2600	904	62.07	930	66.23	956	70.44	1006	78.98	1053	87.67	1099	96.47	1142	105.3	1184	114.2	1224	123.1
16772	2800	906	66.27	933	70.57	958	74.95	1008	83.86	1055	92.95	1100	102.2	1144	111.6	1185	121	1225	130.5
17970	3000	910	70.7	936	75.18	961	79.7	1010	88.92	1057	98.36	1102	108	1145	117.8	1187	127.7	1227	137.7
19168	3200	914	75.29	940	79.98	965	84.7	1013	94.26	1059	104	1104	113.9	1147	124.1	1188	134.4	1228	144.8
20366	3400	918	80.05	944	84.94	969	89.87	1017	99.82	1063	109.9	1107	120.2	1149	130.6	1190	141.2	1230	152.1
21564	3600	923	84.98	949	90.08	973	95.21	1021	105.6	1066	116.1	1110	126.7	1152	137.4	1192	148.4	1232	159.5
22762	3800	928	90.07	953	95.39	978	100.7	1025	111.5	1070	122.4	1114	133.4	1155	144.6	1196	155.8	1235	167.2
23960	4000	934	95.35	959	100.9	983	106.4	1030	117.6	1075	128.9	1118	140.4	1159	151.9	1199	163.6	1238	175.3
25158	4200	939	100.8	964	106.5	988	112.3	1035	123.9	1079	135.7	1122	147.5	1163	159.5	1203	171.5	1242	183.7
26356	4400	945	106.4	970	112.4	994	118.4	1040	130.4	1084	142.6	1127	154.8	1168	167.2	1207	179.7	1246	192.2
27554	4600	952	112.3	976	118.5	1000	124.7	1046	137.1	1090	149.7	1132	162.4	1172	175.2	1212	188	1250	201
28752	4800	959	118.4	983	124.7	1006	131.1	1052	144	1095	157.1	1137	170.2	1177	183.3	1216	196.6	1254	210
29950	5000	966	124.8	990	131.3	1013	137.9	1058	151.2	1101	164.6	1143	178.1	1183	191.7	1221	205.4	1259	219.2
31148	5200	974	131.3	997	138.1	1020	144.9	1064	158.5	1107	172.4	1148	186.3	1188	200.4	1227	214.5	1264	228.7
32346	5400	981	138.2	1005	145.1	1027	152.1	1071	166.2	1114	180.4	1154	194.7	1194	209.2	1232	223.7	1269	238.4
33544	5600	989	145.2	1012	152.4	1035	159.6	1078	174.1	1120	188.7	1161	203.4	1200	218.3	1238	233.2	1275	248.3
34742	5800	998	152.5	1020	159.9	1043	167.4	1086	182.3	1127	197.3	1167	212.4	1206	227.6	1244	243	1280	258.5
35940	6000	1006	159.9	1029	167.7	1051	175.4	1094	190.8	1135	206.2	1174	221.7	1213	237.3	1250	253	1286	268.9
37138	6200	1015	167.6	1037	175.6	1059	183.6	1102	199.5	1142	215.4	1182	231.3	1220	247.3	1257	263.4	1293	279.6
38336	6400	1023	175.5	1046	183.8	1068	192	1110	208.4	1150	224.8	1189	241.1	1227	257.5	1263	274	1299	290.6
39534	6600	1032	183.6	1055	192.1	1076	200.7	1118	217.6	1158	234.5	1197	251.3	1234	268.1	1271	285	1306	302
40732	6800	1041	191.9	1063	200.7	1085	209.5	1126	227	1166	244.4	1205	261.7	1242	279	1278	296.3	1313	313.7
41930	7000	1051	200.4	1073	209.5	1094	218.6	1135	236.6	1175	254.6	1213	272.4	1250	290.1	1285	307.9	1320	325.7
43128	7200	1060	209.2	1082	218.5	1103	227.9	1144	246.5	1183	265	1221	283.3	1258	301.6	1293	319.8	1328	338
44326	7400	1070	218.2	1091	227.8	1112	237.4	1153	256.6	1192	275.6	1229	294.5	1266	313.3	1301	332	-	-

Performance certified is for Installation Type D: ducted inlet, ducted outlet. Performance ratings do not include the effects of appurtenances. Power rating (BHP) does not include transmission losses. Bold data shows fans maximum static efficiency.

TYPE OT | 37 - 61



CFM	OV	STATIC PRESSURE																	
		1		1.5		2		2.5		3		3.5		4		5		6	
		RPM	BHP	RPM	BHP	RPM	BHP	RPM	BHP	RPM	BHP	RPM	BHP	RPM	BHP	RPM	BHP	RPM	BHP
7510	1000	210	1.89	252	2.79	288	3.74	320	4.74	350	5.78	377	6.85	403	7.94	450	10.16	492	12.47
9012	1200	216	2.35	256	3.39	292	4.47	323	5.59	352	6.74	379	7.93	404	9.17	451	11.73	493	14.34
10514	1400	223	2.88	262	4.06	296	5.28	327	6.53	356	7.82	382	9.13	407	10.47	452	13.26	494	16.18
12016	1600	230	3.49	268	4.82	302	6.17	332	7.56	360	8.98	386	10.43	410	11.9	455	14.92	496	18.06
13518	1800	239	4.16	276	5.67	308	7.17	338	8.69	365	10.25	390	11.83	414	13.44	459	16.72	499	20.1
15020	2000	248	4.93	284	6.6	315	8.27	344	9.93	371	11.62	396	13.34	419	15.08	463	18.64	503	22.28
16522	2200	258	5.8	292	7.62	323	9.47	351	11.29	377	13.12	401	14.97	424	16.85	467	20.68	507	24.59
18024	2400	268	6.81	301	8.75	331	10.76	359	12.76	384	14.75	408	16.74	431	18.75	473	22.85	512	27.04
19526	2600	279	7.96	311	10.01	340	12.16	367	14.34	392	16.5	415	18.65	437	20.81	479	25.16	517	29.62
21028	2800	291	9.25	321	11.42	349	13.69	375	16.02	400	18.37	423	20.7	444	23.01	485	27.65	523	32.36
22530	3000	302	10.69	331	13	358	15.38	384	17.85	408	20.35	431	22.86	452	25.36	492	30.31	529	35.29
24032	3200	315	12.29	343	14.75	369	17.24	393	19.83	417	22.48	439	25.16	460	27.83	499	33.13	536	38.4
25534	3400	327	14.05	354	16.68	379	19.3	403	21.99	426	24.77	447	27.59	468	30.44	507	36.09	543	41.7
27036	3600	339	15.98	366	18.79	390	21.55	413	24.35	435	27.24	456	30.2	477	33.2	515	39.21	550	45.16
28538	3800	352	18.1	378	21.09	401	24.01	424	26.93	445	29.92	466	33	486	36.14	523	42.47	558	48.79
30040	4000	365	20.41	390	23.59	413	26.67	435	29.73	455	32.83	475	36.02	495	39.27	532	45.9	566	52.57
31542	4200	378	22.92	402	26.29	425	29.55	446	32.76	466	35.98	485	39.27	504	42.63	540	49.53	574	56.52
33044	4400	391	25.66	415	29.2	437	32.64	457	36.01	477	39.37	496	42.77	514	46.24	549	53.38	583	60.66
34546	4600	404	28.63	427	32.33	449	35.96	469	39.51	488	43.01	507	46.54	524	50.11	559	57.46	592	65.02
36048	4800	417	31.84	440	35.7	461	39.52	481	43.24	500	46.9	518	50.56	535	54.25	569	61.81	601	69.61
37550	5000	431	35.31	453	39.31	474	43.31	493	47.22	511	51.05	529	54.86	546	58.67	579	66.44	610	74.47

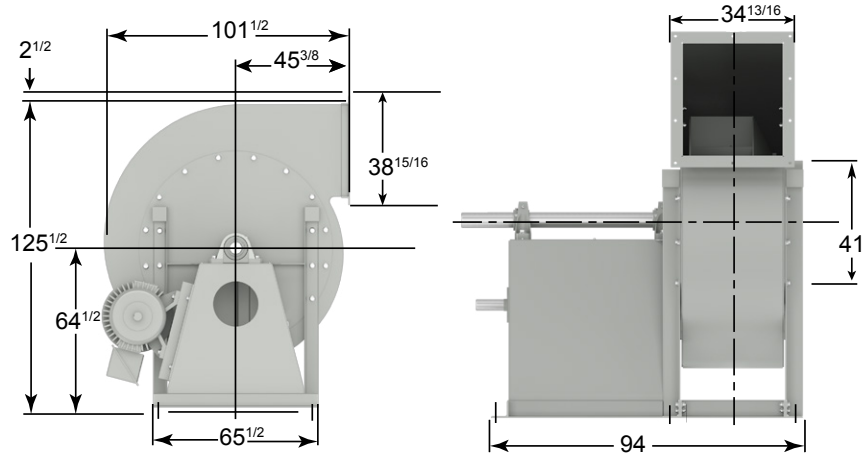
TYPE OT | 37 - 61

CFM	OV	7		8		9		10		11		12		13		14		15	
		RPM	BHP	RPM	BHP	RPM	BHP	RPM	BHP	RPM	BHP	RPM	BHP	RPM	BHP	RPM	BHP	RPM	BHP
10514	1400	533	19.19	569	22.24	603	25.31	635	28.44	665	31.64	694	34.92	722	38.31	750	41.81	776	45.42
12016	1600	534	21.32	570	24.68	604	28.11	636	31.59	666	35.07	695	38.59	723	42.16	750	45.79	776	49.49
13518	1800	537	23.57	572	27.16	605	30.85	637	34.63	667	38.46	696	42.35	724	46.25	751	50.16	777	54.1
15020	2000	540	26	575	29.8	607	33.7	639	37.71	669	41.81	698	45.97	725	50.2	752	54.48	778	58.79
16522	2200	544	28.58	578	32.64	610	36.77	641	40.97	671	45.28	699	49.68	727	54.16	753	58.71	779	63.32
18024	2400	548	31.3	582	35.62	614	40.01	645	44.47	674	49	702	53.59	729	58.27	755	63.05	781	67.9
19526	2600	553	34.16	586	38.76	618	43.41	648	48.13	677	52.92	705	57.76	732	62.66	758	67.62	783	72.67
21028	2800	558	37.17	591	42.04	622	46.98	652	51.96	681	57.01	709	62.11	735	67.26	761	72.48	786	77.74
22530	3000	563	40.35	596	45.49	627	50.7	657	55.96	685	61.27	713	66.64	739	72.06	764	77.52	789	83.04
24032	3200	570	43.72	602	49.12	633	54.6	662	60.14	690	65.72	717	71.35	743	77.04	768	82.77	793	88.55
25534	3400	576	47.3	608	52.96	638	58.68	667	64.49	695	70.35	722	76.26	748	82.21	773	88.21	797	94.25
27036	3600	583	51.08	615	57.01	644	63	673	69.04	700	75.18	727	81.36	752	87.58	777	93.85	801	100.2
28538	3800	591	55.04	622	61.28	651	67.54	679	73.85	706	80.21	732	86.66	758	93.16	782	99.7	806	106.3
30040	4000	598	59.18	629	65.75	658	72.31	686	78.89	712	85.51	738	92.2	763	98.95	787	105.8	811	112.6
31542	4200	606	63.5	636	70.41	665	77.29	692	84.17	719	91.07	744	98.01	769	105	793	112.1	816	119.2
33044	4400	614	67.98	644	75.26	672	82.48	700	89.67	726	96.87	751	104.1	775	111.3	799	118.6	822	126
34546	4600	623	72.65	652	80.29	680	87.87	707	95.4	733	102.9	758	110.4	782	117.9	805	125.5	828	133.1
36048	4800	631	77.54	660	85.51	688	93.45	715	101.3	740	109.2	765	117	789	124.8	812	132.6	834	140.5
37550	5000	640	82.66	669	90.94	696	99.22	723	107.5	748	115.7	772	123.8	796	131.9	819	140.1	841	148.2
39052	5200	649	88.05	677	96.6	704	105.2	731	113.8	756	122.4	780	130.8	803	139.3	826	147.7	848	156.2
40554	5400	658	93.71	686	102.5	713	111.4	739	120.4	764	129.3	788	138.1	811	146.9	833	155.7	855	164.4
42056	5600	668	99.68	695	108.7	722	117.9	747	127.2	772	136.4	796	145.6	819	154.8	841	163.9	863	172.9
43558	5800	678	106	705	115.3	731	124.7	756	134.2	780	143.8	804	153.3	827	162.8	849	172.3	870	181.7
45060	6000	688	112.6	714	122.1	740	131.8	765	141.6	789	151.4	812	161.3	835	171.2	857	181	878	190.7
46562	6200	698	119.6	724	129.3	749	139.2	774	149.2	797	159.4	820	169.5	843	179.7	865	189.9	886	200
48064	6400	709	127	734	136.9	759	147	783	157.2	806	167.6	829	178.1	851	188.5	873	199	894	209.5
49566	6600	720	134.7	745	144.8	769	155.1	792	165.6	815	176.2	838	186.9	860	197.7	881	208.5	902	219.3

CFM	OV	16		17		18		20		22		24		26		28		30	
		RPM	BHP	RPM	BHP	RPM	BHP	RPM	BHP	RPM	BHP	RPM	BHP	RPM	BHP	RPM	BHP	RPM	BHP
19526	2600	807	77.8	831	83.01	854	88.29	899	99	941	109.9	981	120.9	1020	132	1058	143.1	1093	154.3
21028	2800	810	83.06	833	88.46	856	93.94	900	105.1	942	116.5	983	128.1	1021	139.8	1059	151.7	1095	163.6
22530	3000	813	88.61	836	94.23	859	99.9	902	111.5	944	123.3	984	135.4	1023	147.6	1060	160	1096	172.6
24032	3200	816	94.37	840	100.2	862	106.2	905	118.1	946	130.3	986	142.8	1024	155.5	1061	168.4	1097	181.5
25534	3400	820	100.3	843	106.5	865	112.6	908	125.1	949	137.8	988	150.6	1026	163.7	1063	177	1098	190.6
27036	3600	825	106.5	847	112.9	869	119.3	912	132.3	953	145.5	991	158.8	1029	172.3	1065	186	1100	199.9
28538	3800	829	112.9	852	119.6	873	126.3	916	139.8	956	153.4	995	167.2	1032	181.2	1068	195.3	1103	209.6
30040	4000	834	119.5	856	126.4	878	133.4	920	147.4	960	161.6	998	175.9	1035	190.4	1071	205	1106	219.8
31542	4200	839	126.3	861	133.5	883	140.8	924	155.3	964	170	1002	184.9	1039	199.9	1075	215	1109	230.2
33044	4400	845	133.4	866	140.9	888	148.4	929	163.5	969	178.7	1007	194.1	1043	209.6	1078	225.2	1113	240.9
34546	4600	850	140.8	872	148.5	893	156.2	934	171.9	973	187.7	1011	203.5	1047	219.6	1082	235.7	1116	251.9
36048	4800	856	148.4	878	156.4	899	164.4	939	180.5	978	196.9	1016	213.3	1052	229.8	1086	246.4	1120	263.2
37550	5000	863	156.4	884	164.6	905	172.8	945	189.5	983	206.3	1020	223.3	1056	240.3	1091	257.5	1124	274.8
39052	5200	870	164.6	891	173.1	911	181.6	951	198.7	989	216	1026	233.5	1061	251.1	1096	268.8	1129	286.6
40554	5400	877	173.2	897	181.9	918	190.7	957	208.3	995	226.1	1031	244.1	1066	262.2	1100	280.4	1134	298.8
42056	5600	884	182	904	191	924	200.1	963	218.3	1001	236.5	1037	255	1072	273.6	1106	292.4	1138	311.2
43558	5800	891	191.1	911	200.5	931	209.8	970	228.5	1007	247.3	1043	266.2	1077	285.3	1111	304.6	1144	324
45060	6000	899	200.5	919	210.1	939	219.8	977	239.1	1014	258.5	1049	277.9	1083	297.4	1117	317.1	1149	337
46562	6200	906	210.1	926	220.1	946	230.1	984	250	1020	269.9	1055	289.9	1089	309.9	1122	330.1	1154	350.4
48064	6400	914	220	934	230.3	954	240.7	991	261.2	1027	281.7	1062	302.2	1096	322.8	1129	343.5	1160	364.2
49566	6600	922	230.1	942	240.8	961	251.5	999	272.7	1034	293.9	1069	315	1102	336.1	1135	357.2	1166	378.5
51068	6800	930	240.5	950	251.6	969	262.6	1006	284.5	1042	306.3	1076	328	1109	349.7	1141	371.4	1173	393.2
52570	7000	939	251.2	958	262.6	977	274	1014	296.6	1049	319.1	1083	341.4	1116	363.7	1148	385.9	1179	408.2
54072	7200	947	262.2	966	273.9	985	285.6	1022	309	1057	332.1	1091	355.1	1123	378	1155	400.8	1186	423.7
55574	7400	956	273.5	975	285.6	993	297.6	1030	321.6	1065	345.5	1098	369.1	1131	392.7	1162	416.1	-	-

Performance certified is for Installation Type D: ducted inlet, ducted outlet. Performance ratings do not include the effects of appurtenances. Power rating (BHP) does not include transmission losses. Bold data shows fans maximum static efficiency.

TYPE OT | 41 - 61



CFM	OV	STATIC PRESSURE																	
		1		1.5		2		2.5		3		3.5		4		5		6	
		RPM	BHP	RPM	BHP	RPM	BHP	RPM	BHP	RPM	BHP	RPM	BHP	RPM	BHP	RPM	BHP	RPM	BHP
9200	1000	190	2.32	228	3.42	260	4.58	289	5.8	316	7.08	341	8.39	364	9.73	406	12.45	445	15.28
11040	1200	195	2.88	232	4.16	263	5.48	292	6.85	318	8.26	342	9.72	365	11.23	407	14.36	445	17.57
12880	1400	201	3.53	237	4.98	268	6.47	296	8	321	9.57	345	11.18	367	12.82	409	16.25	447	19.82
14720	1600	208	4.27	242	5.91	273	7.56	300	9.26	325	11	349	12.77	371	14.58	411	18.28	448	22.12
16560	1800	216	5.1	249	6.95	278	8.78	305	10.64	330	12.55	353	14.49	374	16.46	414	20.48	451	24.62
18400	2000	224	6.04	256	8.09	285	10.13	311	12.16	335	14.23	357	16.34	379	18.48	418	22.83	454	27.29
20240	2200	233	7.11	264	9.33	292	11.59	317	13.83	341	16.07	363	18.33	384	20.64	422	25.34	458	30.13
22080	2400	242	8.34	272	10.72	299	13.18	324	15.63	347	18.07	369	20.51	389	22.97	427	27.99	462	33.12
23920	2600	252	9.75	281	12.26	307	14.89	331	17.56	354	20.22	375	22.85	395	25.49	432	30.83	467	36.29
25760	2800	263	11.33	290	13.99	315	16.77	339	19.63	361	22.5	382	25.35	402	28.19	438	33.87	472	39.64
27600	3000	273	13.1	299	15.92	324	18.84	347	21.86	369	24.93	389	28.01	408	31.06	444	37.13	478	43.23
29440	3200	284	15.05	310	18.07	333	21.12	355	24.29	376	27.54	397	30.82	416	34.09	451	40.58	484	47.04
31280	3400	295	17.21	320	20.43	343	23.64	364	26.94	385	30.34	404	33.8	423	37.29	458	44.22	490	51.08
33120	3600	306	19.58	331	23.02	352	26.4	373	29.83	393	33.37	412	37	431	40.67	465	48.03	497	55.32
34960	3800	318	22.17	341	25.84	363	29.41	383	32.99	402	36.66	421	40.43	439	44.27	473	52.03	504	59.76
36800	4000	329	25	352	28.9	373	32.67	393	36.42	411	40.22	429	44.12	447	48.11	480	56.23	511	64.4
38640	4200	341	28.08	363	32.2	384	36.2	403	40.13	421	44.08	439	48.1	456	52.23	488	60.68	519	69.24
40480	4400	353	31.44	375	35.76	395	39.99	413	44.12	431	48.23	448	52.4	465	56.64	496	65.39	527	74.31
42320	4600	365	35.07	386	39.6	406	44.06	424	48.39	441	52.69	458	57.01	474	61.38	505	70.39	534	79.65
44160	4800	377	39.01	398	43.73	417	48.41	435	52.97	452	57.46	468	61.94	483	66.46	514	75.72	543	85.28
46000	5000	389	43.25	409	48.16	428	53.05	445	57.85	462	62.54	478	67.2	493	71.87	523	81.39	551	91.22

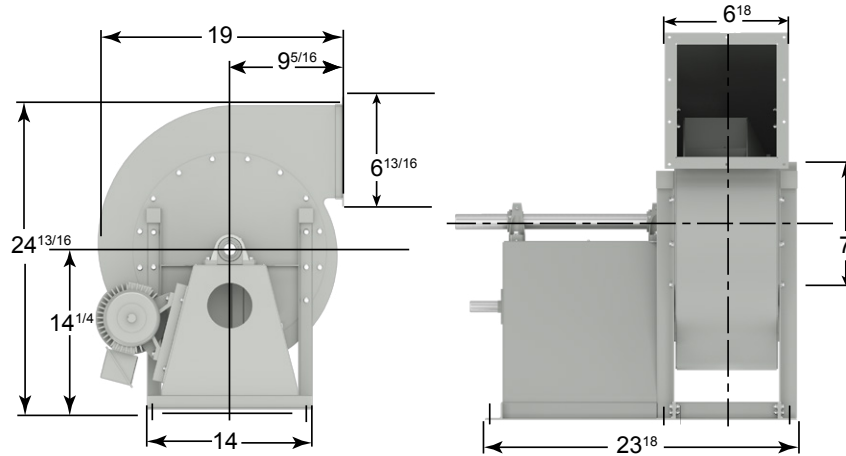
TYPE OT | 41 - 61

CFM	OV	7		8		9		10		11		12		13		14		15	
		RPM	BHP	RPM	BHP	RPM	BHP	RPM	BHP	RPM	BHP	RPM	BHP	RPM	BHP	RPM	BHP	RPM	BHP
12880	1400	482	23.51	514	27.24	545	31.01	574	34.84	601	38.75	627	42.78	653	46.93	677	51.21	701	55.63
14720	1600	483	26.12	515	30.24	546	34.44	575	38.69	602	42.96	628	47.27	653	51.64	678	56.09	701	60.63
16560	1800	485	28.87	517	33.27	547	37.79	576	42.42	603	47.11	629	51.87	654	56.65	678	61.45	702	66.28
18400	2000	488	31.85	519	36.51	549	41.28	577	46.19	604	51.21	630	56.32	655	61.5	680	66.74	703	72.02
20240	2200	491	35.01	522	39.98	552	45.04	579	50.19	606	55.47	632	60.86	657	66.35	681	71.92	704	77.56
22080	2400	495	38.34	526	43.64	555	49.02	582	54.48	609	60.02	634	65.64	659	71.39	682	77.24	705	83.18
23920	2600	499	41.84	530	47.48	558	53.18	586	58.97	612	64.82	637	70.75	661	76.76	685	82.83	707	89.02
25760	2800	504	45.53	534	51.5	562	57.54	589	63.65	615	69.83	640	76.08	664	82.4	687	88.78	710	95.23
27600	3000	509	49.42	539	55.73	567	62.11	594	68.55	619	75.06	644	81.63	668	88.27	691	94.97	713	101.7
29440	3200	515	53.56	544	60.17	572	66.77	598	73.67	623	80.51	648	87.41	671	94.37	694	101.4	716	108.5
31280	3400	521	57.95	549	64.87	577	71.88	603	79	628	86.18	652	93.42	676	100.7	698	108.1	720	115.5
33120	3600	527	62.57	555	69.84	582	77.17	608	84.58	633	92.09	657	99.66	680	107.3	702	115	724	122.7
34960	3800	534	67.43	562	75.07	588	82.74	614	90.46	638	98.26	662	106.2	685	114.1	707	122.1	728	130.2
36800	4000	541	72.5	568	80.54	594	88.58	619	96.64	644	104.8	667	112.9	690	121.2	711	129.6	733	138
38640	4200	548	77.78	575	86.25	601	94.68	626	103.1	650	111.6	673	120.1	695	128.6	717	137.3	738	146
40480	4400	555	83.28	582	92.19	608	101	632	109.8	656	118.7	679	127.5	701	136.4	722	145.3	743	154.3
42320	4600	562	89	589	98.35	615	107.6	639	116.9	662	126.1	685	135.2	706	144.5	728	153.7	748	163
44160	4800	570	94.99	597	104.7	622	114.5	646	124.1	669	133.7	691	143.3	713	152.9	734	162.5	754	172.1
46000	5000	578	101.3	604	111.4	629	121.5	653	131.6	676	141.7	698	151.7	719	161.6	740	171.6	760	181.5
47840	5200	586	107.9	612	118.3	637	128.9	660	139.4	683	149.9	705	160.3	726	170.6	746	181	766	191.3
49680	5400	595	114.8	620	125.6	644	136.5	668	147.4	690	158.4	712	169.2	733	180	753	190.7	773	201.4
51520	5600	604	122.1	628	133.2	652	144.5	675	155.8	697	167.1	719	178.4	740	189.6	760	200.7	779	211.9
53360	5800	612	129.8	637	141.2	660	152.8	683	164.4	705	176.1	726	187.8	747	199.5	767	211.1	786	222.6
55200	6000	622	138	645	149.6	668	161.4	691	173.4	713	185.5	734	197.6	754	209.7	774	221.7	793	233.7
57040	6200	631	146.5	654	158.4	677	170.5	699	182.8	720	195.2	741	207.7	761	220.1	781	232.6	800	245
58880	6400	641	155.5	663	167.7	686	180	707	192.6	728	205.3	749	218.1	769	231	789	243.8	807	256.7
60720	6600	650	165	673	177.4	695	190	716	202.8	737	215.8	757	229	777	242.2	796	255.4	815	268.6

CFM	OV	16		17		18		20		22		24		26		28		30	
		RPM	BHP	RPM	BHP	RPM	BHP	RPM	BHP	RPM	BHP	RPM	BHP	RPM	BHP	RPM	BHP	RPM	BHP
23920	2600	729	95.31	751	101.7	772	108.2	812	121.3	850	134.6	887	148.1	922	161.7	955	175.4	988	189
25760	2800	732	101.7	753	108.4	773	115.1	813	128.8	851	142.7	888	156.9	923	171.3	956	185.8	989	200.4
27600	3000	734	108.6	755	115.4	776	122.4	815	136.5	853	151	889	165.8	924	180.8	958	196	990	211.4
29440	3200	738	115.6	759	122.8	779	130.1	818	144.7	855	159.7	891	174.9	925	190.5	959	206.3	991	222.4
31280	3400	741	122.9	762	130.4	782	138	821	153.3	858	168.8	893	184.5	927	200.5	960	216.9	992	233.5
33120	3600	745	130.5	765	138.3	785	146.2	824	162.1	861	178.2	896	194.5	930	211	962	227.8	994	244.9
34960	3800	749	138.3	769	146.5	789	154.7	827	171.2	864	188	899	204.9	932	222	965	239.3	996	256.8
36800	4000	753	146.4	774	154.9	793	163.4	831	180.6	867	198	902	215.5	936	233.2	968	251.1	999	269.2
38640	4200	758	154.8	778	163.6	798	172.5	835	190.3	871	208.3	906	226.5	939	244.8	971	263.3	1002	282
40480	4400	763	163.4	783	172.6	802	181.8	839	200.3	875	218.9	909	237.8	942	256.7	974	275.9	1005	295.1
42320	4600	768	172.4	788	181.9	807	191.4	844	210.6	879	229.9	913	249.3	946	269	978	288.7	1009	308.6
44160	4800	774	181.8	793	191.5	812	201.4	849	221.2	884	241.1	918	261.3	950	281.5	982	301.9	1012	322.4
46000	5000	780	191.6	799	201.6	817	211.7	854	232.1	889	252.7	922	273.5	954	294.4	986	315.4	1016	336.6
47840	5200	786	201.7	805	212	823	222.5	859	243.4	893	264.7	927	286.1	959	307.6	990	329.3	1020	351.1
49680	5400	792	212.1	811	222.9	829	233.6	865	255.2	899	277	932	299	963	321.2	994	343.5	1024	366
51520	5600	798	222.9	817	234	835	245.1	870	267.4	904	289.8	937	312.3	968	335.2	999	358.1	1029	381.2
53360	5800	805	234.1	823	245.6	841	257	876	279.9	910	303	942	326.1	973	349.5	1004	373.1	1033	396.8
55200	6000	812	245.6	830	257.4	848	269.3	883	292.9	916	316.6	948	340.4	979	364.3	1009	388.5	1038	412.8
57040	6200	819	257.4	837	269.6	855	281.9	889	306.3	922	330.7	954	355.1	984	379.7	1014	404.4	1043	429.3
58880	6400	826	269.4	844	282.2	862	294.8	896	320	928	345.1	960	370.3	990	395.4	1020	420.7	1048	446.2
60720	6600	833	281.8	851	295	868	308.1	902	334.1	935	360	966	385.8	996	411.7	1025	437.6	1054	463.7
62560	6800	841	294.6	858	308.2	876	321.7	909	348.6	941	375.2	972	401.8	1002	428.4	1031	455	1060	481.6
64400	7000	848	307.7	866	321.7	883	335.6	916	363.4	948	390.9	979	418.2	1009	445.5	1037	472.8	1065	500.1
66240	7200	856	321.2	873	335.5	890	349.9	923	378.5	955	406.8	985	435	1015	463	1044	491	1071	519
68080	7400	863	335.1	881	349.8	898	364.5	930	394	962	423.2	992	452.2	1022	481	1050	509.7	-	-

Performance certified is for Installation Type D: ducted inlet, ducted outlet. Performance ratings do not include the effects of appurtenances. Power rating (BHP) does not include transmission losses. Bold data shows fans maximum static efficiency.

TYPE WT | 07 - 61



CFM	OV	STATIC PRESSURE																	
		0.5		1		1.5		2		2.5		3		3.5		4		4.5	
		RPM	BHP	RPM	BHP	RPM	BHP	RPM	BHP	RPM	BHP	RPM	BHP	RPM	BHP	RPM	BHP	RPM	BHP
270	1000	880	0.05	1150	0.09	1368	0.13	1558	0.17	1728	0.22	1884	0.27	2028	0.32	2163	0.37	2291	0.43
224	1200	932	0.06	1193	0.11	1404	0.15	1587	0.2	1752	0.26	1904	0.31	2046	0.37	2179	0.43	2304	0.49
378	1400	938	0.08	1240	0.13	1445	0.18	1623	0.24	1784	0.3	1932	0.36	2070	0.42	2200	0.48	2323	0.55
432	1600	1048	0.1	1291	0.16	1491	0.22	1665	0.28	1821	0.34	1966	0.41	2101	0.48	2228	0.54	2348	0.61
486	1800	1109	0.12	1346	0.19	1540	0.26	1710	0.33	1863	0.39	2004	0.47	2136	0.54	2261	0.61	2379	0.69
540	2000	1173	0.15	1403	0.22	1592	0.3	1758	0.38	1909	0.45	2047	0.53	2176	0.61	2298	0.68	2414	0.77
594	2200	1240	0.18	1462	0.26	1647	0.34	1809	0.43	1957	0.51	2093	0.6	2219	0.68	2339	0.77	2453	0.85
648	2400	1310	0.22	1523	0.31	1704	0.4	1862	0.49	2007	0.58	2141	0.67	2265	0.76	2383	0.85	2495	0.94
702	2600	1382	0.27	1585	0.36	1763	0.45	1918	0.55	2059	0.65	2190	0.75	2313	0.85	2429	0.95	2539	1.05
756	2800	1456	0.32	1649	0.41	1822	0.52	1975	0.62	2114	0.72	2242	0.83	2363	0.94	2478	1.05	2586	1.15
810	3000	1531	0.37	1716	0.48	1883	0.59	2034	0.69	2170	0.81	2297	0.92	2415	1.04	2528	1.15	2635	1.26
864	3200	1608	0.44	1784	0.55	1946	0.66	2094	0.78	2228	0.9	2352	1.02	2469	1.14	2579	1.26	2685	1.38
918	3400	1685	0.51	1854	0.63	2010	0.75	2154	0.87	2287	0.99	2418	1.12	2524	1.25	2633	1.38	2737	1.51
972	3600	1764	0.59	1926	0.71	2076	0.84	2216	0.97	2347	1.1	2468	1.23	2581	1.37	2688	1.5	2791	1.64
1026	3800	1844	0.68	1999	0.81	2143	0.94	2280	1.08	2408	1.21	2527	1.35	2639	1.49	2745	1.63	2846	1.78
1080	4000	1924	0.78	2073	0.92	2213	1.05	2344	1.19	2469	1.34	2587	1.48	2698	1.63	2803	1.78	2902	1.92
1134	4200	2006	0.89	2148	1.03	2283	1.17	2411	1.32	2532	1.47	2648	1.62	2758	1.77	2861	1.93	2960	2.08
1188	4400	2087	1.01	2225	1.16	2355	1.31	2478	1.46	2597	1.61	2710	1.77	2818	1.93	2921	2.09	3018	2.25
1242	4600	2170	1.14	2302	1.29	2428	1.45	2548	1.61	2662	1.77	2773	1.93	2879	2.1	2981	2.26	3077	2.43
1296	4800	2252	1.28	2380	1.44	2502	1.6	2618	1.77	2730	1.93	2837	2.1	2941	2.27	3041	2.45	3137	2.62
1350	5000	2336	1.43	2458	1.6	2576	1.77	2689	1.94	2798	2.11	2903	2.28	3005	2.46	3103	2.64	3197	2.82

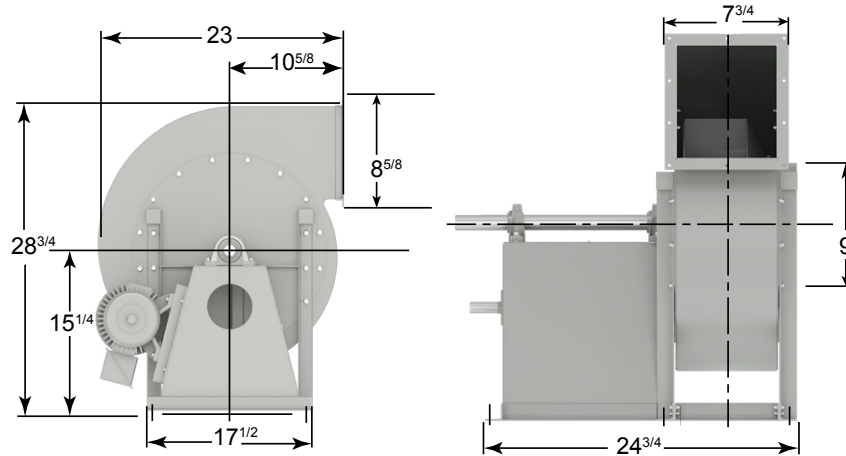
TYPE WT | 07 - 61

CFM	OV	5		5.5		6		6.5		7		7.5		8		8.5		9	
		RPM	BHP	RPM	BHP	RPM	BHP	RPM	BHP	RPM	BHP	RPM	BHP	RPM	BHP	RPM	BHP	RPM	BHP
378	1400	2441	0.62	2553	0.68	2661	0.75	2765	0.83	2865	0.9	2962	0.97	3056	1.05	3147	1.13	3235	1.21
432	1600	2463	0.69	2574	0.76	2680	0.84	2782	0.91	2881	0.99	2977	1.07	3070	1.15	3160	1.23	3248	1.32
486	1800	2492	0.76	2600	0.84	2704	0.92	2804	1.01	2902	1.09	2996	1.17	3088	1.26	3177	1.35	3264	1.44
540	2000	2524	0.85	2631	0.93	2733	1.02	2832	1.11	2927	1.19	3020	1.28	3110	1.37	3198	1.47	3284	1.56
594	2200	2561	0.94	2666	1.03	2766	1.12	2863	1.21	2957	1.31	3048	1.4	3137	1.5	3224	1.59	3308	1.69
648	2400	2602	1.04	2704	1.13	2803	1.23	2898	1.33	2991	1.42	3081	1.52	3168	1.63	3253	1.73	3336	1.83
702	2600	2645	1.14	2746	1.24	2843	1.35	2937	1.45	3028	1.55	3116	1.66	3202	1.76	3286	1.87	3368	1.98
756	2800	2690	1.26	2790	1.36	2885	1.47	2978	1.58	3068	1.69	3155	1.8	3240	1.91	3322	2.02	3403	2.14
810	3000	2737	1.38	2836	1.49	2930	1.61	3022	1.72	3110	1.83	3196	1.95	3280	2.07	3361	2.19	3441	2.3
864	3200	2786	1.5	2883	1.63	2977	1.75	3067	1.87	3154	1.99	3239	2.11	3322	2.23	3403	2.36	3481	2.48
918	3400	2836	1.64	2932	1.77	3025	1.9	3114	2.02	3201	2.15	3285	2.28	3366	2.41	3446	2.54	3523	2.67
972	3600	2889	1.78	2983	1.91	3074	2.05	3163	2.19	3248	2.32	3331	2.46	3412	2.6	3491	2.73	3568	2.87
1026	3800	2942	1.92	3035	2.07	3125	2.21	3213	2.36	3297	2.5	3380	2.65	3460	2.79	3538	2.93	3614	3.08
1080	4000	2997	2.08	3089	2.23	3178	2.38	3264	2.53	3347	2.69	3429	2.84	3508	2.99	3585	3.14	3661	3.29
1134	4200	3054	2.24	3144	2.4	3232	2.56	3317	2.72	3399	2.88	3479	3.04	3558	3.2	3634	3.36	3709	3.52
1188	4400	3111	2.41	3201	2.58	3287	2.74	3371	2.91	3452	3.08	3532	3.25	3609	3.41	3684	3.58	3758	3.75
1242	4600	3169	2.6	3258	2.77	3343	2.94	3426	3.11	3507	3.29	3585	3.46	3661	3.64	3736	3.81	3809	3.99
1296	4800	3228	2.8	3316	2.97	3401	3.15	3483	3.33	3562	3.51	3640	3.69	3715	3.87	3789	4.05	3861	4.24
1350	5000	3288	3	3375	3.19	3459	3.37	3540	3.55	3619	3.74	3695	3.93	3770	4.12	3843	4.3	3914	4.49
1404	5200	3348	3.22	3434	3.41	3517	3.6	3598	3.79	3676	3.98	3752	4.18	3826	4.37	3898	4.57	3968	4.76
1458	5400	3409	3.46	3494	3.65	3577	3.85	3657	4.04	3734	4.24	3809	4.44	3882	4.64	3954	4.84	4024	5.04
1512	5600	3470	3.7	3555	3.9	3637	4.1	3716	4.31	3793	4.51	3867	4.72	3940	4.92	4010	5.13	4080	5.34
1566	5800	3533	3.96	3616	4.17	3697	4.38	3776	4.59	3852	4.8	3926	5.01	3998	5.22	4068	5.43	4137	5.64
1620	6000	3596	4.23	3678	4.45	3758	4.66	3836	4.88	3911	5.09	3985	5.31	4056	5.53	4126	5.75	4194	5.97
1674	6200	3660	4.52	3741	4.74	3820	4.96	3897	5.18	3972	5.41	4045	5.63	4116	5.85	4185	6.08	-	-
1728	6400	3726	4.82	3805	5.05	3883	5.27	3958	5.5	4032	5.73	4105	5.96	-	-	-	-	-	-
1782	6600	3792	5.14	3870	5.37	3946	5.6	4021	5.84	4094	6.07	-	-	-	-	-	-	-	-

CFM	OV	10		11		12		13		14		15		16		17		18	
		RPM	BHP	RPM	BHP	RPM	BHP	RPM	BHP	RPM	BHP	RPM	BHP	RPM	BHP	RPM	BHP	RPM	BHP
486	1800	3431	1.62	3591	1.8	3744	1.99	3891	2.19	4033	2.39	4171	2.59	4304	2.8	4433	3.01	4559	3.23
540	2000	3449	1.75	3607	1.95	3759	2.14	3905	2.35	4046	2.56	4182	2.77	4314	2.98	4442	3.2	4567	3.43
594	2200	3471	1.89	3627	2.1	3777	2.31	3922	2.52	4061	2.74	4196	2.96	4327	3.18	4455	3.41	4579	3.64
648	2400	3497	2.04	3651	2.26	3799	2.48	3942	2.7	4080	2.93	4214	3.16	4343	3.39	4470	3.63	4593	3.87
702	2600	3526	2.2	3678	2.43	3824	2.66	3965	2.89	4102	3.13	4234	3.37	4362	3.61	4488	3.86	4609	4.11
756	2800	3559	2.37	3709	2.6	3853	2.84	3992	3.09	4127	3.33	4258	3.59	4385	3.84	4508	4.1	4629	4.36
810	3000	3595	2.55	3743	2.79	3885	3.04	4022	3.29	4155	3.55	4285	3.81	4410	4.08	4532	4.35	4652	4.62
864	3200	3633	2.73	3779	2.99	3920	3.25	4055	3.51	4187	3.78	4314	4.05	4439	4.33	4559	4.6	-	-
918	3400	3674	2.93	3818	3.2	3957	3.47	4091	3.74	4221	4.02	4347	4.3	4470	4.59	4589	4.87	-	-
972	3600	3716	3.14	3859	3.42	3996	3.7	4129	3.98	4257	4.27	4382	4.56	4503	4.86	4621	5.15	-	-
1026	3800	3760	3.36	3901	3.65	4037	3.94	4168	4.24	4295	4.53	4419	4.84	4539	5.14	4656	5.45	-	-
1080	4000	3806	3.59	3946	3.89	4080	4.2	4210	4.5	4336	4.81	4458	5.12	4577	5.44	-	-	-	-
1134	4200	3853	3.83	3992	4.15	4125	4.46	4253	4.78	4378	5.1	4499	5.42	4616	5.75	-	-	-	-
1188	4400	3902	4.08	4039	4.41	4171	4.74	4298	5.07	4421	5.4	4541	5.74	-	-	-	-	-	-
1242	4600	3951	4.34	4087	4.68	4218	5.03	4344	5.37	4466	5.72	-	-	-	-	-	-	-	-
1296	4800	4001	4.6	4136	4.96	4266	5.33	4391	5.69	4512	6.05	-	-	-	-	-	-	-	-
1350	5000	4052	4.87	4186	5.25	4315	5.63	4439	6.01	-	-	-	-	-	-	-	-	-	-
1404	5200	4105	5.16	4237	5.55	4364	5.95	-	-	-	-	-	-	-	-	-	-	-	-
1458	5400	4159	5.45	4289	5.86	-	-	-	-	-	-	-	-	-	-	-	-	-	-
1512	5600	4214	5.76	-	-	-	-	-	-	-	-	-	-	-	-	-	-	-	-
1566	5800	4269	6.08	-	-	-	-	-	-	-	-	-	-	-	-	-	-	-	-
1620	6000	-	-	-	-	-	-	-	-	-	-	-	-	-	-	-	-	-	-
1674	6200	-	-	-	-	-	-	-	-	-	-	-	-	-	-	-	-	-	-
1728	6400	-	-	-	-	-	-	-	-	-	-	-	-	-	-	-	-	-	-
1782	6600	-	-	-	-	-	-	-	-	-	-	-	-	-	-	-	-	-	-

Performance certified is for Installation Type D: ducted inlet, ducted outlet. Performance ratings do not include the effects of appurtenances. Power rating (BHP) does not include transmission losses. Bold data shows fans maximum static efficiency.

TYPE WT | 09 - 61



CFM	OV	STATIC PRESSURE																	
		0.5		1		1.5		2		2.5		3		3.5		4		4.5	
		RPM	BHP	RPM	BHP	RPM	BHP	RPM	BHP	RPM	BHP	RPM	BHP	RPM	BHP	RPM	BHP	RPM	BHP
440	1000	690	0.08	902	0.14	1073	0.21	1221	0.28	1355	0.36	1477	0.44	1590	0.52	1696	0.61	1796	0.7
528	1200	731	0.1	935	0.17	1100	0.25	1244	0.33	1374	0.42	1493	0.51	1604	0.6	1708	0.69	1807	0.79
616	1400	775	0.13	972	0.21	1133	0.3	1273	0.39	1399	0.48	1515	0.58	1623	0.68	1725	0.79	1822	0.89
704	1600	821	0.16	1012	0.26	1169	0.36	1305	0.46	1428	0.56	1541	0.66	1647	0.77	1747	0.89	1841	1
792	1800	869	0.2	1055	0.31	1207	0.42	1341	0.53	1461	0.64	1571	0.76	1675	0.87	1772	0.99	1865	1.12
880	2000	920	0.24	1100	0.36	1248	0.49	1379	0.61	1496	0.73	1605	0.86	1706	0.99	1802	1.11	1892	1.25
968	2200	972	0.3	1147	0.43	1291	0.56	1418	0.7	1534	0.83	1641	0.97	1740	1.11	1834	1.25	1923	1.39
1056	2400	1027	0.36	1194	0.5	1336	0.64	1460	0.79	1573	0.94	1678	1.09	1776	1.24	1868	1.39	1956	1.54
1144	2600	1084	0.43	1243	0.58	1382	0.74	1504	0.89	1614	1.06	1717	1.22	1814	1.38	1905	1.54	1991	1.7
1232	2800	1141	0.51	1293	0.67	1429	0.84	1549	1.01	1657	1.18	1758	1.35	1853	1.53	1943	1.7	2028	1.87
1320	3000	1200	0.61	1345	0.78	1477	0.95	1595	1.13	1702	1.31	1801	1.5	1893	1.68	1982	1.87	2066	2.06
1408	3200	1260	0.71	1399	0.89	1525	1.08	1642	1.27	1747	1.46	1844	1.65	1936	1.85	2022	2.05	2105	2.25
1496	3400	1321	0.83	1454	1.02	1576	1.22	1689	1.41	1793	1.62	1889	1.82	1979	2.03	2064	2.24	2146	2.45
1584	3600	1383	0.96	1510	1.16	1627	1.37	1738	1.58	1840	1.79	1935	2	2024	2.22	2108	2.44	2188	2.66
1672	3800	1446	1.11	1567	1.32	1680	1.53	1787	1.75	1888	1.98	1981	2.2	2069	2.43	2152	2.66	2231	2.89
1760	4000	1509	1.27	1625	1.49	1735	1.71	1838	1.94	1936	2.18	2029	2.41	2115	2.65	2197	2.89	2275	3.13
1848	4200	1572	1.45	1684	1.68	1790	1.91	1890	2.15	1985	2.39	2076	2.64	2162	2.89	2243	3.14	2320	3.39
1936	4400	1636	1.64	1744	1.88	1846	2.12	1943	2.37	2036	2.62	2125	2.88	2209	3.14	2290	3.4	2366	3.66
2024	4600	1701	1.85	1805	2.1	1903	2.35	1997	2.61	2087	2.87	2174	3.14	2257	3.41	2337	3.68	2412	3.95
2112	4800	1766	2.08	1866	2.34	1961	2.6	2053	2.87	2140	3.14	2225	3.42	2306	3.7	2384	3.98	2459	4.26
2200	5000	1831	2.33	1927	2.6	2020	2.87	2109	3.15	2194	3.43	2276	3.72	2356	4.01	2433	4.3	2507	4.59

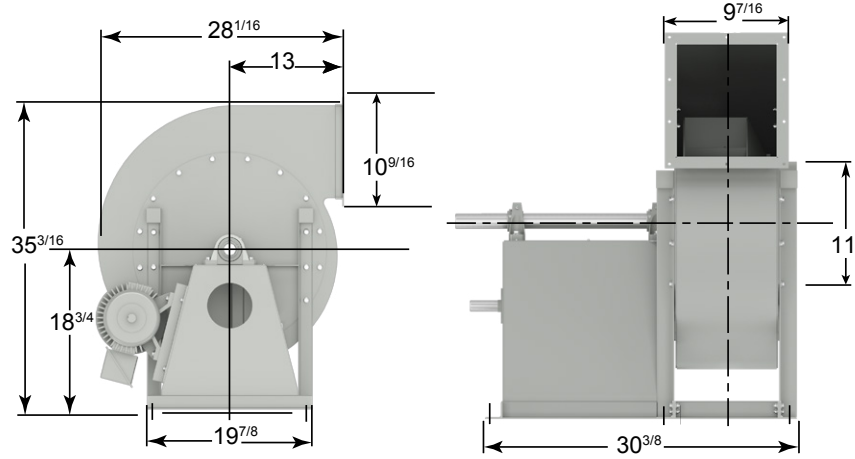
TYPE WT | 09 - 61

CFM	OV	5		5.5		6		6.5		7		7.5		8		8.5		9	
		RPM	BHP	RPM	BHP	RPM	BHP	RPM	BHP	RPM	BHP	RPM	BHP	RPM	BHP	RPM	BHP	RPM	BHP
616	1400	1914	1	2002	1.11	2086	1.23	2167	1.34	2246	1.46	2322	1.59	2396	1.71	2467	1.84	2536	1.97
704	1600	1931	1.12	2018	1.24	2101	1.36	2181	1.49	2259	1.61	2334	1.74	2407	1.87	2477	2.01	2546	2.14
792	1800	1953	1.24	2038	1.37	2120	1.5	2199	1.64	2275	1.77	2349	1.91	2421	2.05	2491	2.19	2559	2.34
880	2000	1979	1.38	2062	1.52	2143	1.66	2220	1.8	2295	1.94	2368	2.09	2438	2.24	2507	2.39	2574	2.54
968	2200	2008	1.53	2090	1.67	2169	1.82	2245	1.97	2318	2.12	2390	2.28	2460	2.43	2527	2.59	2593	2.75
1056	2400	2040	1.69	2120	1.84	2197	2	2272	2.16	2345	2.32	2415	2.48	2484	2.65	2550	2.81	2616	2.98
1144	2600	2073	1.86	2152	2.02	2229	2.19	2302	2.36	2374	2.53	2443	2.7	2511	2.87	2576	3.04	2641	3.22
1232	2800	2109	2.05	2187	2.22	2262	2.39	2335	2.57	2405	2.75	2473	2.93	2540	3.11	2605	3.29	2668	3.48
1320	3000	2146	2.24	2223	2.43	2297	2.61	2369	2.8	2438	2.99	2506	3.17	2571	3.36	2635	3.55	2698	3.75
1408	3200	2184	2.45	2261	2.65	2334	2.84	2405	3.04	2473	3.24	2540	3.44	2604	3.63	2668	3.84	2729	4.04
1496	3400	2224	2.66	2299	2.87	2372	3.08	2442	3.29	2509	3.5	2575	3.71	2639	3.92	2702	4.13	2762	4.34
1584	3600	2265	2.89	2339	3.11	2410	3.34	2480	3.56	2547	3.78	2612	4	2675	4.22	2737	4.44	2797	4.67
1672	3800	2307	3.13	2380	3.36	2450	3.6	2519	3.83	2585	4.07	2650	4.3	2712	4.54	2773	4.77	2833	5
1760	4000	2350	3.38	2422	3.62	2491	3.87	2559	4.12	2624	4.37	2688	4.62	2750	4.86	2811	5.11	2870	5.36
1848	4200	2394	3.64	2465	3.9	2534	4.16	2600	4.42	2665	4.68	2728	4.94	2789	5.2	2849	5.46	2908	5.72
1936	4400	2439	3.93	2509	4.19	2577	4.46	2643	4.74	2707	5.01	2769	5.28	2829	5.55	2889	5.83	2947	6.1
2024	4600	2485	4.23	2554	4.5	2621	4.78	2686	5.07	2749	5.35	2811	5.63	2870	5.92	2929	6.2	2986	6.49
2112	4800	2531	4.55	2600	4.83	2666	5.12	2730	5.41	2793	5.71	2853	6	2913	6.3	2970	6.6	3027	6.89
2200	5000	2578	4.89	2646	5.18	2712	5.48	2775	5.78	2837	6.08	2897	6.39	2956	6.7	3013	7	3069	7.31
2288	5200	2625	5.24	2692	5.55	2758	5.86	2821	6.17	2882	6.48	2941	6.8	2999	7.11	3056	7.43	3111	7.75
2376	5400	2672	5.62	2739	5.94	2804	6.26	2867	6.58	2927	6.9	2986	7.22	3044	7.55	3100	7.88	3154	8.21
2464	5600	2721	6.02	2787	6.35	2851	6.68	2913	7.01	2973	7.34	3032	7.67	3089	8.01	3144	8.34	3198	8.68
2552	5800	2770	6.44	2835	6.78	2898	7.12	2960	7.46	3020	7.8	3078	8.14	3134	8.49	3189	8.83	3243	9.18
2640	6000	2819	6.88	2884	7.23	2946	7.58	3007	7.93	3067	8.29	3124	8.64	3180	8.99	3235	9.35	3288	9.71
2728	6200	2870	7.35	2933	7.71	2995	8.07	3055	8.43	3114	8.79	3171	9.16	3227	9.52	3281	9.89	3334	10.25
2816	6400	2921	7.84	2983	8.21	3044	8.58	3103	8.95	3161	9.32	3218	9.7	3273	10.07	3327	10.45	3380	10.82
2904	6600	2973	8.36	3034	8.73	3094	9.11	3152	9.5	3210	9.88	3266	10.27	3321	10.65	3374	11.04	3426	11.42

CFM	OV	10		11		12		13		14		15		16		17		18	
		RPM	BHP	RPM	BHP	RPM	BHP	RPM	BHP	RPM	BHP	RPM	BHP	RPM	BHP	RPM	BHP	RPM	BHP
792	1800	2690	2.63	2815	2.93	2935	3.24	3051	3.56	3162	3.88	3270	4.21	3374	4.55	3475	4.9	3574	5.25
880	2000	2704	2.85	2828	3.17	2947	3.49	3061	3.82	3172	4.16	3279	4.5	3382	4.85	3483	5.21	3581	5.58
968	2200	2721	3.08	2844	3.41	2961	3.75	3074	4.1	3184	4.45	3290	4.81	3393	5.18	3492	5.55	3590	5.93
1056	2400	2741	3.32	2862	3.67	2978	4.03	3090	4.39	3198	4.76	3303	5.14	3405	5.52	3504	5.91	3601	6.3
1144	2600	2765	3.58	2884	3.95	2998	4.32	3109	4.7	3216	5.09	3319	5.48	3420	5.88	3518	6.28	3614	6.69
1232	2800	2790	3.85	2908	4.24	3021	4.63	3130	5.02	3236	5.42	3338	5.83	3438	6.25	3535	6.67	3629	7.09
1320	3000	2818	4.14	2934	4.54	3046	4.95	3154	5.36	3258	5.78	3359	6.2	3458	6.63	3553	7.07	3647	7.51
1408	3200	2848	4.45	2963	4.86	3073	5.29	3179	5.72	3282	6.15	3383	6.59	3480	7.04	3575	7.49	3667	7.95
1496	3400	2880	4.77	2993	5.2	3102	5.64	3207	6.09	3309	6.54	3408	7	3504	7.46	3598	7.93	3689	8.4
1584	3600	2913	5.11	3025	5.56	3133	6.02	3237	6.48	3338	6.95	3435	7.42	3530	7.9	3623	8.39	3714	8.88
1672	3800	2948	5.47	3059	5.94	3165	6.41	3268	6.89	3368	7.38	3464	7.87	3558	8.36	3650	8.87	3740	9.37
1760	4000	2984	5.85	3094	6.34	3199	6.83	3301	7.33	3399	7.83	3495	8.33	3588	8.85	3679	9.36	3767	9.89
1848	4200	3021	6.24	3129	6.75	3234	7.26	3335	7.78	3432	8.3	3527	8.82	3619	9.35	3709	9.89	3797	10.42
1936	4400	3059	6.64	3166	7.18	3270	7.71	3370	8.25	3466	8.79	3560	9.34	3652	9.88	3741	10.43	3827	10.99
2024	4600	3097	7.06	3204	7.62	3307	8.18	3406	8.74	3502	9.3	3595	9.87	3685	10.43	3773	11	3859	11.57
2112	4800	3137	7.49	3242	8.08	3344	8.67	3443	9.25	3538	9.83	3630	10.42	3720	11.01	3807	11.59	3892	12.18
2200	5000	3177	7.93	3282	8.55	3383	9.16	3480	9.77	3575	10.38	3666	10.99	3755	11.6	3842	12.21	3927	12.82
2288	5200	3218	8.39	3322	9.03	3422	9.67	3519	10.31	3612	10.95	3703	11.58	3792	12.21	3878	12.84	3962	13.47
2376	5400	3261	8.87	3363	9.53	3462	10.2	3558	10.87	3651	11.53	3741	12.19	3829	12.84	3914	13.5	3998	14.15
2464	5600	3304	9.37	3405	10.05	3503	10.74	3598	11.43	3690	12.12	3779	12.81	3867	13.49	3951	14.17	4034	14.85
2552	5800	3347	9.89	3448	10.59	3544	11.31	3638	12.02	3729	12.73	3818	13.44	3905	14.15	3989	14.86	4072	15.56
2640	6000	3392	10.43	3491	11.16	3587	11.89	3680	12.63	3770	13.36	3858	14.1	3944	14.83	4028	15.57	4109	16.3
2728	6200	3436	10.99	3535	11.74	3630	12.49	3722	13.25	3812	14.01	3899	14.77	3984	15.53	4067	16.29	4148	17.05
2816	6400	3482	11.58	3579	12.35	3674	13.12	3765	13.9	3854	14.68	3940	15.46	4024	16.25	4106	17.03	4187	17.81
2904	6600	3527	12.2	3624	12.98	3718	13.77	3809	14.57	3897	15.37	3982	16.18	4066	16.99	4147	17.79	4227	18.6

Performance certified is for Installation Type D: ducted inlet, ducted outlet. Performance ratings do not include the effects of appurtenances. Power rating (BHP) does not include transmission losses. Bold data shows fans maximum static efficiency.

TYPE WT | 11 - 61



CFM	OV	STATIC PRESSURE																	
		0.5		1		1.5		2		2.5		3		3.5		4		4.5	
		RPM	BHP	RPM	BHP	RPM	BHP	RPM	BHP	RPM	BHP	RPM	BHP	RPM	BHP	RPM	BHP	RPM	BHP
660	1000	542	0.09	719	0.17	864	0.26	988	0.35	1097	0.45	1197	0.55	1290	0.65	1376	0.76	1457	0.87
792	1200	573	0.12	739	0.21	879	0.31	1000	0.42	1109	0.52	1208	0.64	1299	0.75	1384	0.87	1465	0.99
924	1400	607	0.16	765	0.26	897	0.37	1016	0.48	1122	0.6	1220	0.73	1310	0.86	1395	0.99	1474	1.12
1056	1600	645	0.2	795	0.31	921	0.43	1034	0.56	1138	0.69	1234	0.83	1323	0.97	1407	1.11	1486	1.26
1188	1800	684	0.25	827	0.38	949	0.51	1057	0.64	1157	0.78	1251	0.93	1338	1.08	1421	1.24	1499	1.4
1320	2000	725	0.32	862	0.45	979	0.59	1084	0.74	1180	0.89	1270	1.05	1356	1.21	1437	1.38	1513	1.55
1452	2200	768	0.39	899	0.54	1012	0.69	1113	0.85	1206	1.01	1293	1.17	1376	1.35	1455	1.53	1531	1.71
1584	2400	812	0.47	938	0.64	1047	0.8	1145	0.97	1235	1.14	1320	1.32	1399	1.5	1476	1.68	1550	1.88
1716	2600	857	0.57	978	0.75	1083	0.93	1178	1.11	1267	1.29	1349	1.48	1426	1.67	1500	1.86	1571	2.06
1848	2800	903	0.68	1019	0.87	1121	1.06	1214	1.26	1300	1.45	1379	1.65	1455	1.85	1527	2.06	1596	2.26
1980	3000	950	0.8	1062	1.01	1160	1.22	1250	1.42	1334	1.63	1412	1.84	1486	2.05	1556	2.27	1623	2.49
2112	3200	997	0.94	1105	1.17	1201	1.39	1288	1.61	1369	1.83	1445	2.05	1518	2.27	1587	2.5	1653	2.73
2244	3400	1045	1.1	1149	1.34	1242	1.57	1327	1.81	1406	2.04	1480	2.27	1551	2.51	1619	2.75	1684	2.99
2376	3600	1094	1.27	1194	1.53	1284	1.78	1367	2.02	1444	2.27	1517	2.52	1586	2.77	1652	3.02	1716	3.27
2508	3800	1143	1.47	1240	1.74	1327	2	1407	2.26	1483	2.52	1554	2.78	1621	3.04	1686	3.31	1749	3.57
2640	4000	1192	1.68	1286	1.96	1370	2.24	1449	2.52	1523	2.79	1592	3.07	1658	3.34	1722	3.61	1783	3.89
2772	4200	1242	1.91	1333	2.21	1415	2.51	1491	2.8	1563	3.08	1631	3.37	1696	3.66	1758	3.94	1818	4.23
2904	4400	1292	2.17	1380	2.48	1460	2.79	1534	3.09	1604	3.4	1671	3.7	1734	4	1795	4.3	1854	4.6
3036	4600	1342	2.45	1427	2.78	1505	3.1	1578	3.42	1646	3.73	1712	4.05	1774	4.36	1833	4.68	1891	4.99
3168	4800	1393	2.75	1475	3.1	1551	3.43	1622	3.76	1689	4.09	1753	4.42	1814	4.75	1872	5.08	1929	5.41
3300	5000	1444	3.08	1524	3.44	1598	3.79	1667	4.14	1732	4.48	1795	4.82	1855	5.17	1912	5.51	1968	5.85

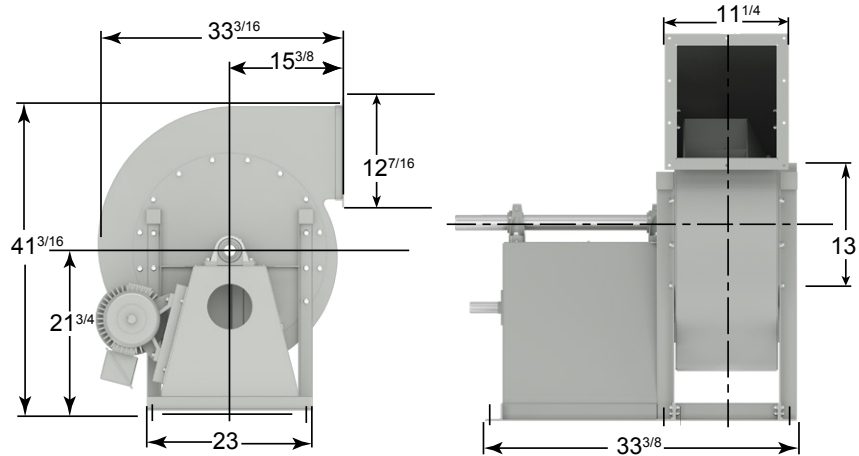
TYPE WT | 11 - 61

CFM	OV	5		5.5		6		6.5		7		7.5		8		8.5		9	
		RPM	BHP	RPM	BHP	RPM	BHP	RPM	BHP	RPM	BHP	RPM	BHP	RPM	BHP	RPM	BHP	RPM	BHP
924	1400	1550	1.25	1622	1.39	1691	1.53	1757	1.67	1821	1.82	1883	1.97	1943	2.12	2001	2.28	2057	2.43
1056	1600	1561	1.41	1632	1.56	1701	1.71	1767	1.86	1830	2.02	1891	2.18	1951	2.34	2008	2.5	2064	2.66
1188	1800	1573	1.56	1644	1.72	1712	1.89	1777	2.06	1840	2.23	1901	2.4	1960	2.57	2017	2.74	2073	2.92
1320	2000	1587	1.72	1657	1.9	1724	2.08	1789	2.26	1852	2.44	1912	2.63	1971	2.81	2028	3	2083	3.19
1452	2200	1602	1.89	1672	2.08	1738	2.27	1802	2.46	1864	2.66	1924	2.86	1983	3.06	2039	3.26	2094	3.46
1584	2400	1621	2.07	1689	2.27	1754	2.48	1817	2.68	1878	2.89	1938	3.1	1996	3.31	2052	3.52	2106	3.74
1716	2600	1640	2.27	1707	2.48	1772	2.69	1834	2.91	1894	3.13	1953	3.35	2010	3.57	2065	3.8	2119	4.02
1848	2800	1663	2.48	1728	2.7	1791	2.92	1853	3.15	1912	3.38	1970	3.61	2026	3.85	2081	4.08	2134	4.32
1980	3000	1689	2.71	1752	2.93	1813	3.17	1873	3.4	1931	3.64	1988	3.89	2044	4.14	2098	4.38	2151	4.63
2112	3200	1716	2.96	1778	3.19	1837	3.43	1896	3.68	1953	3.93	2009	4.18	2063	4.44	2116	4.7	2169	4.96
2244	3400	1746	3.23	1806	3.48	1864	3.73	1921	3.98	1977	4.23	2031	4.49	2084	4.76	2137	5.03	2188	5.3
2376	3600	1777	3.52	1836	3.78	1893	4.04	1948	4.3	2003	4.56	2056	4.83	2108	5.1	2159	5.38	2209	5.66
2508	3800	1809	3.84	1867	4.1	1923	4.37	1977	4.65	2031	4.92	2083	5.2	2133	5.48	2183	5.76	2232	6.05
2640	4000	1842	4.17	1899	4.45	1954	4.73	2008	5.01	2060	5.3	2111	5.59	2161	5.87	2210	6.17	2258	6.46
2772	4200	1876	4.53	1932	4.82	1986	5.11	2039	5.41	2091	5.7	2141	6	2190	6.3	2238	6.6	2285	6.91
2904	4400	1911	4.9	1966	5.21	2020	5.51	2072	5.82	2122	6.13	2172	6.44	2220	6.75	2267	7.06	2313	7.38
3036	4600	1947	5.31	2001	5.62	2054	5.94	2105	6.26	2155	6.58	2204	6.9	2251	7.22	2298	7.55	2343	7.87
3168	4800	1984	5.73	2037	6.06	2089	6.39	2139	6.72	2188	7.06	2236	7.39	2283	7.72	2329	8.06	2374	8.4
3300	5000	2021	6.19	2073	6.53	2124	6.87	2174	7.21	2222	7.56	2270	7.91	2316	8.25	2361	8.6	2406	8.95
3432	5200	2060	6.67	2111	7.02	2161	7.37	2210	7.73	2257	8.09	2304	8.45	2350	8.81	2394	9.17	2438	9.53
3564	5400	2099	7.18	2149	7.54	2198	7.91	2246	8.28	2293	8.64	2339	9.01	2384	9.39	2428	9.76	2471	10.13
3696	5600	2138	7.71	2188	8.09	2236	8.47	2283	8.85	2330	9.23	2375	9.61	2419	10	2463	10.38	2505	10.77
3828	5800	2179	8.28	2227	8.67	2275	9.07	2321	9.46	2367	9.85	2411	10.24	2455	10.64	2498	11.03	2540	11.43
3960	6000	2219	8.88	2267	9.28	2314	9.69	2360	10.09	2405	10.5	2448	10.91	2491	11.31	2533	11.72	2575	12.13
4092	6200	2260	9.51	2308	9.93	2354	10.35	2399	10.76	2443	11.18	2486	11.6	2529	12.02	2570	12.44	2611	12.86
4224	6400	2302	10.16	2349	10.6	2394	11.03	2439	11.47	2482	11.9	2525	12.33	2566	12.76	2607	13.19	2648	13.62
4356	6600	2344	10.86	2390	11.31	2435	11.75	2479	12.2	2522	12.65	2564	13.09	2605	13.53	2645	13.98	2685	14.42

CFM	OV	10		11		12		13		14		15		16		17		18	
		RPM	BHP	RPM	BHP	RPM	BHP	RPM	BHP	RPM	BHP	RPM	BHP	RPM	BHP	RPM	BHP	RPM	BHP
1188	1800	2180	3.28	2282	3.64	2380	4.02	2473	4.41	2564	4.8	2651	5.21	2736	5.62	2818	6.05	2898	6.48
1320	2000	2189	3.57	2291	3.96	2388	4.35	2481	4.75	2571	5.17	2658	5.58	2742	6.01	2823	6.45	2903	6.9
1452	2200	2200	3.87	2301	4.28	2397	4.7	2490	5.13	2579	5.56	2665	5.99	2749	6.44	2830	6.89	2909	7.35
1584	2400	2211	4.17	2312	4.62	2408	5.06	2500	5.51	2589	5.97	2674	6.43	2758	6.89	2838	7.36	2917	7.84
1716	2600	2224	4.48	2324	4.95	2419	5.43	2511	5.91	2599	6.39	2685	6.87	2767	7.36	2847	7.86	2925	8.36
1848	2800	2237	4.81	2336	5.3	2431	5.8	2523	6.3	2611	6.81	2696	7.33	2778	7.85	2858	8.37	2935	8.89
1980	3000	2252	5.14	2350	5.66	2444	6.18	2535	6.71	2623	7.24	2707	7.78	2789	8.33	2869	8.88	2946	9.43
2112	3200	2269	5.49	2366	6.03	2459	6.57	2549	7.12	2636	7.68	2720	8.25	2801	8.82	2880	9.39	2957	9.97
2244	3400	2287	5.85	2383	6.42	2475	6.98	2564	7.56	2650	8.14	2733	8.73	2814	9.32	2893	9.92	2969	10.53
2376	3600	2307	6.23	2401	6.82	2492	7.41	2580	8.01	2665	8.61	2748	9.22	2828	9.84	2906	10.46	2982	11.09
2508	3800	2328	6.63	2421	7.24	2511	7.85	2598	8.48	2682	9.1	2763	9.73	2843	10.37	2920	11.02	2996	11.67
2640	4000	2351	7.06	2442	7.68	2531	8.31	2617	8.96	2700	9.61	2781	10.27	2859	10.93	2936	11.59	3011	12.27
2772	4200	2377	7.52	2465	8.15	2552	8.8	2637	9.46	2719	10.13	2799	10.81	2877	11.5	2953	12.19	3027	12.89
2904	4400	2403	8.01	2491	8.66	2575	9.32	2658	9.99	2739	10.68	2818	11.38	2895	12.09	2971	12.8	3044	13.52
3036	4600	2432	8.53	2518	9.19	2601	9.87	2682	10.55	2761	11.26	2839	11.97	2915	12.7	2990	13.44	3062	14.18
3168	4800	2461	9.07	2546	9.76	2628	10.45	2707	11.15	2785	11.87	2861	12.6	2936	13.34	3010	14.09	3081	14.86
3300	5000	2492	9.65	2575	10.35	2656	11.07	2734	11.79	2811	12.52	2885	13.26	2959	14.01	3031	14.78	3102	15.56
3432	5200	2523	10.25	2605	10.98	2685	11.71	2762	12.45	2837	13.2	2911	13.96	2983	14.72	3054	15.5	3124	16.3
3564	5400	2555	10.88	2636	11.63	2715	12.39	2791	13.15	2865	13.92	2938	14.69	3009	15.47	3079	16.27	3147	17.07
3696	5600	2588	11.54	2668	12.32	2746	13.09	2821	13.88	2894	14.66	2966	15.46	3036	16.26	3105	17.07	3172	17.89
3828	5800	2622	12.23	2701	13.03	2778	13.83	2852	14.64	2924	15.45	2995	16.26	3064	17.08	3132	17.91	3198	18.75
3960	6000	2656	12.95	2734	13.78	2810	14.6	2884	15.43	2955	16.26	3025	17.1	3093	17.94	3160	18.79	3225	19.64
4092	6200	2691	13.7	2768	14.55	2843	15.4	2916	16.26	2987	17.11	3056	17.97	3123	18.83	3189	19.7	3254	20.57
4224	6400	2726	14.49	2802	15.36	2877	16.24	2949	17.12	3019	18	3087	18.88	3154	19.76	3219	20.65	3283	21.54
4356	6600	2762	15.31	2838	16.21	2911	17.11	2982	18.01	3052	18.91	3119	19.82	3185	20.73	3250	21.64	3313	22.55

Performance certified is for Installation Type D: ducted inlet, ducted outlet. Performance ratings do not include the effects of appurtenances. Power rating (BHP) does not include transmission losses. Bold data shows fans maximum static efficiency.

TYPE WT | 13 - 61



CFM	OV	STATIC PRESSURE																	
		0.5		1		1.5		2		2.5		3		3.5		4		4.5	
		RPM	BHP	RPM	BHP	RPM	BHP	RPM	BHP	RPM	BHP	RPM	BHP	RPM	BHP	RPM	BHP	RPM	BHP
930	1000	458	0.13	608	0.24	730	0.36	835	0.49	928	0.63	1012	0.77	1090	0.91	1163	1.06	1232	1.21
1116	1200	484	0.17	625	0.3	743	0.43	845	0.58	937	0.73	1021	0.89	1098	1.05	1170	1.21	1238	1.38
1302	1400	513	0.22	646	0.36	759	0.51	858	0.68	948	0.85	1031	1.02	1108	1.2	1179	1.38	1246	1.57
1488	1600	545	0.28	672	0.44	778	0.6	874	0.78	962	0.97	1043	1.16	1118	1.35	1189	1.56	1256	1.76
1674	1800	578	0.35	699	0.53	802	0.71	893	0.9	978	1.1	1057	1.31	1131	1.52	1201	1.74	1267	1.96
1860	2000	613	0.44	729	0.63	828	0.83	916	1.03	997	1.24	1074	1.47	1146	1.69	1214	1.93	1279	2.17
2046	2200	649	0.54	760	0.75	856	0.97	941	1.19	1020	1.41	1093	1.64	1163	1.88	1230	2.14	1294	2.39
2232	2400	686	0.66	793	0.89	885	1.12	968	1.36	1044	1.6	1115	1.84	1183	2.1	1248	2.36	1310	2.63
2418	2600	724	0.8	827	1.05	916	1.3	996	1.55	1071	1.81	1140	2.07	1205	2.33	1268	2.6	1328	2.88
2604	2800	763	0.95	862	1.22	948	1.49	1026	1.76	1098	2.04	1166	2.31	1230	2.59	1291	2.88	1349	3.17
2790	3000	803	1.12	897	1.42	981	1.7	1057	1.99	1127	2.28	1194	2.58	1256	2.88	1315	3.18	1372	3.48
2976	3200	843	1.32	934	1.63	1015	1.94	1089	2.25	1157	2.56	1222	2.87	1283	3.18	1341	3.5	1397	3.82
3162	3400	884	1.54	971	1.87	1050	2.2	1122	2.53	1188	2.85	1251	3.18	1311	3.52	1368	3.85	1423	4.18
3348	3600	924	1.78	1009	2.14	1085	2.49	1155	2.83	1220	3.18	1282	3.52	1341	3.87	1397	4.22	1450	4.58
3534	3800	966	2.05	1048	2.43	1121	2.8	1190	3.16	1253	3.53	1313	3.89	1371	4.26	1426	4.63	1478	5
3720	4000	1008	2.35	1087	2.75	1158	3.14	1225	3.52	1287	3.91	1346	4.29	1402	4.67	1455	5.06	1507	5.45
3906	4200	1050	2.68	1126	3.1	1196	3.51	1260	3.91	1321	4.32	1379	4.72	1434	5.12	1486	5.52	1537	5.93
4092	4400	1092	3.04	1166	3.48	1234	3.91	1297	4.33	1356	4.76	1413	5.18	1466	5.6	1518	6.02	1567	6.44
4278	4600	1134	3.43	1207	3.89	1272	4.34	1334	4.78	1392	5.23	1447	5.67	1499	6.11	1550	6.55	1599	6.98
4464	4800	1177	3.85	1247	4.33	1311	4.8	1371	5.27	1428	5.73	1482	6.19	1533	6.65	1583	7.11	1631	7.57
4650	5000	1220	4.31	1288	4.81	1351	5.31	1409	5.79	1464	6.27	1517	6.75	1568	7.23	1616	7.71	1663	8.18

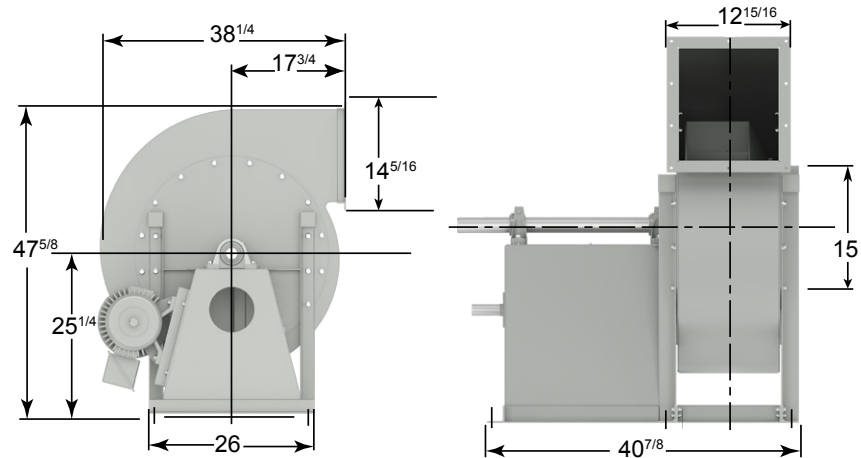
TYPE WT | 13 - 61

CFM	OV	5		5.5		6		6.5		7		7.5		8		8.5		9	
		RPM	BHP	RPM	BHP	RPM	BHP	RPM	BHP	RPM	BHP	RPM	BHP	RPM	BHP	RPM	BHP	RPM	BHP
1302	1400	1310	1.76	1371	1.95	1429	2.14	1485	2.34	1540	2.55	1592	2.75	1642	2.97	1691	3.18	1739	3.41
1488	1600	1319	1.97	1380	2.18	1438	2.39	1493	2.61	1547	2.82	1599	3.04	1649	3.27	1698	3.5	1745	3.73
1674	1800	1330	2.18	1390	2.41	1447	2.65	1502	2.88	1556	3.12	1607	3.36	1657	3.6	1705	3.84	1752	4.09
1860	2000	1341	2.41	1401	2.66	1458	2.91	1512	3.16	1565	3.42	1616	3.67	1666	3.94	1714	4.2	1761	4.46
2046	2200	1355	2.65	1413	2.91	1469	3.18	1523	3.45	1576	3.72	1627	4	1676	4.28	1724	4.56	1770	4.84
2232	2400	1370	2.9	1427	3.18	1483	3.46	1536	3.75	1588	4.04	1638	4.33	1687	4.63	1734	4.93	1780	5.23
2418	2600	1387	3.17	1443	3.47	1498	3.77	1550	4.07	1601	4.38	1651	4.68	1699	5	1746	5.31	1792	5.63
2604	2800	1406	3.47	1461	3.77	1514	4.09	1566	4.41	1616	4.73	1665	5.06	1713	5.38	1759	5.71	1804	6.05
2790	3000	1427	3.79	1481	4.11	1533	4.43	1583	4.76	1633	5.1	1681	5.44	1728	5.79	1773	6.14	1818	6.49
2976	3200	1451	4.14	1503	4.47	1553	4.81	1602	5.15	1651	5.49	1698	5.85	1744	6.21	1789	6.57	1833	6.94
3162	3400	1476	4.52	1527	4.87	1576	5.21	1624	5.56	1671	5.92	1717	6.29	1762	6.66	1806	7.04	1849	7.42
3348	3600	1502	4.93	1552	5.29	1600	5.65	1647	6.02	1693	6.39	1738	6.76	1782	7.14	1825	7.53	1867	7.92
3534	3800	1529	5.37	1578	5.74	1625	6.12	1672	6.5	1716	6.88	1760	7.27	1803	7.66	1845	8.06	1887	8.46
3720	4000	1557	5.84	1605	6.23	1652	6.62	1697	7.02	1741	7.42	1784	7.82	1827	8.22	1868	8.63	1908	9.04
3906	4200	1586	6.33	1633	6.74	1679	7.15	1724	7.57	1767	7.98	1810	8.4	1851	8.82	1892	9.24	1931	9.66
4092	4400	1615	6.86	1662	7.29	1707	7.72	1751	8.15	1794	8.58	1836	9.01	1876	9.44	1916	9.88	1955	10.32
4278	4600	1646	7.42	1691	7.87	1736	8.31	1779	8.76	1822	9.21	1863	9.66	1903	10.11	1942	10.56	1981	11.02
4464	4800	1677	8.02	1722	8.48	1765	8.95	1808	9.41	1850	9.88	1890	10.34	1930	10.81	1969	11.28	2007	11.75
4650	5000	1709	8.66	1753	9.14	1796	9.61	1838	10.09	1879	10.58	1919	11.06	1958	11.55	1996	12.03	2033	12.52
4836	5200	1741	9.33	1784	9.83	1827	10.32	1868	10.82	1908	11.32	1948	11.82	1986	12.32	2024	12.83	2061	13.33
5022	5400	1774	10.04	1817	10.56	1858	11.07	1899	11.58	1938	12.1	1977	12.62	2015	13.14	2053	13.66	2089	14.18
5208	5600	1808	10.8	1849	11.33	1890	11.86	1930	12.39	1969	12.92	2007	13.45	2045	13.99	2082	14.53	2118	15.07
5394	5800	1842	11.59	1883	12.14	1923	12.69	1962	13.24	2001	13.79	2038	14.34	2075	14.89	2111	15.44	2147	16
5580	6000	1876	12.42	1917	12.99	1956	13.56	1995	14.13	2033	14.69	2070	15.26	2106	15.83	2142	16.4	2177	16.97
5766	6200	1911	13.3	1951	13.89	1990	14.48	2028	15.06	2065	15.65	2102	16.23	2137	16.82	2172	17.41	2207	18
5952	6400	1946	14.23	1985	14.84	2024	15.44	2061	16.05	2098	16.65	2134	17.25	2169	17.86	2204	18.46	2238	19.07
6138	6800	1981	15.2	2020	15.82	2058	16.45	2095	17.08	2132	17.7	2167	18.32	2202	18.94	2236	19.56	2269	20.18

CFM	OV	10		11		12		13		14		15		16		17		18	
		RPM	BHP	RPM	BHP	RPM	BHP	RPM	BHP	RPM	BHP	RPM	BHP	RPM	BHP	RPM	BHP	RPM	BHP
1674	1800	1843	4.59	1929	5.1	2012	5.63	2091	6.17	2167	6.72	2241	7.29	2313	7.87	2382	8.47	2450	9.07
1860	2000	1851	4.99	1936	5.54	2018	6.09	2097	6.65	2173	7.23	2246	7.82	2318	8.42	2387	9.03	2454	9.66
2046	2200	1860	5.42	1945	5.99	2026	6.58	2105	7.17	2180	7.78	2253	8.39	2324	9.01	2392	9.64	2459	10.29
2232	2400	1869	5.84	1954	6.46	2035	7.09	2113	7.72	2188	8.35	2261	8.99	2331	9.65	2399	10.31	2465	10.97
2418	2600	1880	6.28	1964	6.93	2045	7.6	2122	8.27	2197	8.94	2269	9.62	2339	10.31	2407	11	2473	11.7
2604	2800	1891	6.73	1975	7.41	2055	8.11	2132	8.82	2207	9.53	2279	10.26	2348	10.98	2416	11.71	2481	12.44
2790	3000	1904	7.19	1987	7.91	2066	8.65	2143	9.39	2217	10.14	2288	10.89	2358	11.66	2425	12.43	2490	13.2
2976	3200	1918	7.68	2000	8.44	2078	9.2	2154	9.97	2228	10.75	2299	11.54	2368	12.34	2435	13.15	2500	13.96
3162	3400	1934	8.19	2014	8.98	2092	9.77	2167	10.58	2240	11.39	2310	12.21	2379	13.05	2445	13.89	2510	14.73
3348	3600	1950	8.72	2030	9.54	2107	10.37	2181	11.21	2253	12.05	2322	12.91	2390	13.77	2456	14.64	2521	15.52
3534	3800	1968	9.29	2046	10.13	2122	10.99	2196	11.86	2267	12.74	2336	13.62	2403	14.52	2468	15.42	2532	16.33
3720	4000	1987	9.88	2064	10.75	2139	11.64	2212	12.54	2282	13.45	2351	14.37	2417	15.29	2482	16.23	2545	17.17
3906	4200	2009	10.53	2084	11.41	2157	12.32	2229	13.24	2298	14.18	2366	15.13	2432	16.09	2496	17.06	2558	18.03
4092	4400	2032	11.21	2105	12.12	2177	13.04	2247	13.98	2316	14.95	2382	15.93	2448	16.92	2511	17.92	2573	18.93
4278	4600	2056	11.94	2128	12.87	2198	13.81	2267	14.77	2334	15.75	2400	16.76	2464	17.77	2527	18.8	2589	19.84
4464	4800	2080	12.7	2152	13.66	2221	14.63	2288	15.61	2354	16.61	2419	17.63	2482	18.67	2544	19.72	2605	20.79
4650	5000	2106	13.5	2177	14.49	2245	15.49	2311	16.5	2376	17.52	2439	18.55	2501	19.61	2562	20.68	2622	21.78
4836	5200	2133	14.34	2202	15.36	2269	16.39	2335	17.43	2398	18.47	2461	19.53	2522	20.61	2581	21.7	2640	22.81
5022	5400	2160	15.23	2228	16.28	2295	17.33	2359	18.4	2422	19.47	2484	20.56	2544	21.66	2602	22.77	2660	23.89
5208	5600	2188	16.15	2256	17.23	2321	18.32	2385	19.42	2447	20.52	2507	21.64	2566	22.76	2624	23.89	2681	25.04
5394	5800	2216	17.12	2283	18.24	2348	19.36	2411	20.48	2472	21.62	2532	22.76	2590	23.91	2647	25.07	2703	26.24
5580	6000	2245	18.13	2311	19.28	2375	20.44	2437	21.59	2498	22.76	2557	23.93	2615	25.11	2671	26.29	2726	27.49
5766	6200	2274	19.18	2340	20.37	2403	21.56	2465	22.75	2525	23.95	2583	25.15	2640	26.36	2696	27.57	2750	28.79
5952	6400	2304	20.28	2369	21.5	2432	22.73	2493	23.96	2552	25.18	2609	26.42	2666	27.66	2721	28.9	2775	30.15
6138	6600	2335	21.43	2399	22.68	2461	23.94	2521	25.21	2579	26.47	2637	27.74	2692	29.01	2747	30.28	2800	31.56

Performance certified is for Installation Type D: ducted inlet, ducted outlet. Performance ratings do not include the effects of appurtenances. Power rating (BHP) does not include transmission losses. Bold data shows fans maximum static efficiency.

TYPE WT | 15 - 61



CFM	OV	STATIC PRESSURE																	
		0.5		1		1.5		2		2.5		3		3.5		4		4.5	
		RPM	BHP	RPM	BHP	RPM	BHP	RPM	BHP	RPM	BHP	RPM	BHP	RPM	BHP	RPM	BHP	RPM	BHP
1240	1000	397	0.17	527	0.32	632	0.49	723	0.66	803	0.84	877	1.02	944	1.21	1007	1.41	1068	1.62
1488	1200	420	0.23	541	0.39	643	0.58	732	0.77	812	0.98	884	1.19	951	1.4	1013	1.62	1072	1.84
1736	1400	445	0.29	560	0.48	657	0.68	743	0.9	821	1.13	893	1.36	959	1.6	1021	1.84	1079	2.09
1984	1600	472	0.38	582	0.59	674	0.8	757	1.04	833	1.29	903	1.54	969	1.81	1030	2.07	1088	2.35
2232	1800	501	0.47	606	0.71	694	0.95	774	1.2	847	1.46	916	1.74	980	2.02	1040	2.31	1097	2.61
2480	2000	531	0.59	631	0.85	717	1.11	793	1.38	864	1.66	930	1.95	993	2.26	1052	2.57	1108	2.89
2728	2200	562	0.72	658	1.01	741	1.29	815	1.58	883	1.88	947	2.19	1007	2.51	1065	2.85	1120	3.19
2976	2400	594	0.88	687	1.19	766	1.5	838	1.81	904	2.13	966	2.46	1024	2.79	1081	3.14	1135	3.5
3224	2600	627	1.06	716	1.4	793	1.73	863	2.07	927	2.41	987	2.76	1044	3.11	1098	3.47	1150	3.85
3472	2800	661	1.27	746	1.63	821	1.99	889	2.35	951	2.71	1010	3.08	1065	3.46	1118	3.84	1168	4.22
3720	3000	695	1.5	777	1.89	850	2.27	915	2.66	976	3.05	1034	3.44	1088	3.83	1139	4.23	1188	4.64
3968	3200	730	1.76	809	2.18	879	2.59	943	3	1002	3.41	1058	3.83	1111	4.24	1162	4.67	1210	5.09
4216	3400	765	2.05	841	2.5	909	2.94	971	3.37	1029	3.81	1084	4.24	1136	4.69	1185	5.13	1232	5.58
4464	3600	801	2.38	874	2.85	940	3.32	1001	3.78	1057	4.24	1110	4.7	1161	5.16	1209	5.63	1256	6.1
4712	3800	836	2.74	907	3.24	971	3.73	1030	4.22	1085	4.7	1137	5.19	1187	5.68	1235	6.17	1280	6.66
4960	4000	873	3.14	941	3.67	1003	4.18	1061	4.7	1115	5.21	1165	5.72	1214	6.23	1260	6.74	1305	7.26
5208	4200	909	3.57	976	4.13	1036	4.68	1092	5.22	1144	5.75	1194	6.29	1241	6.82	1287	7.36	1331	7.9
5456	4400	946	4.05	1010	4.64	1069	5.21	1123	5.77	1174	6.34	1223	6.9	1270	7.46	1314	8.02	1357	8.58
5704	4600	982	4.57	1045	5.18	1102	5.79	1155	6.38	1205	6.97	1253	7.56	1299	8.14	1342	8.73	1384	9.36
5952	4800	1020	5.13	1080	5.78	1136	6.41	1187	7.03	1236	7.64	1283	8.26	1328	8.87	1371	9.48	1412	10.09
6200	5000	1057	5.74	1116	6.42	1170	7.07	1220	7.72	1268	8.36	1314	9	1358	9.64	1400	10.28	1440	10.91

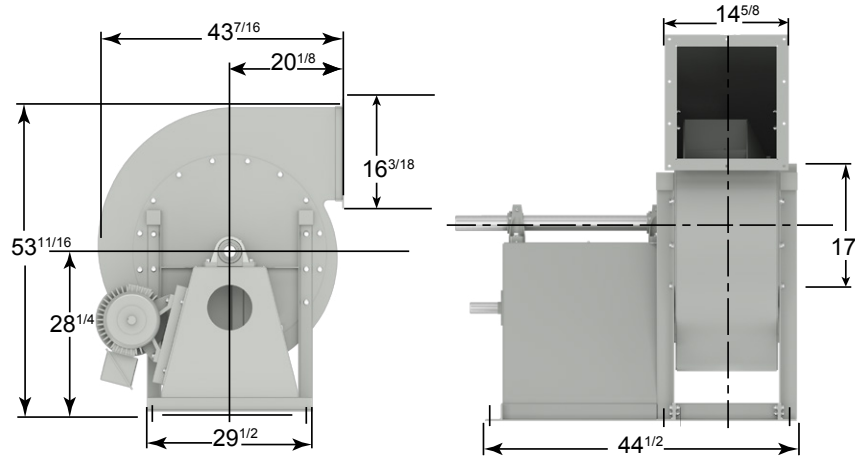
TYPE WT | 15 - 61

CFM	OV	5		5.5		6		6.5		7		7.5		8		8.5		9	
		RPM	BHP	RPM	BHP	RPM	BHP	RPM	BHP	RPM	BHP	RPM	BHP	RPM	BHP	RPM	BHP	RPM	BHP
1736	1400	1135	2.34	1187	2.6	1238	2.86	1286	3.12	1333	3.4	1378	3.67	1422	3.96	1465	4.25	1506	4.54
1984	1600	1143	2.62	1195	2.9	1245	3.19	1293	3.47	1340	3.76	1384	4.06	1428	4.36	1470	4.66	1511	4.97
2232	1800	1152	2.91	1204	3.22	1253	3.53	1301	3.84	1347	4.16	1392	4.47	1435	4.8	1477	5.12	1517	5.45
2480	2000	1162	3.21	1213	3.54	1262	3.88	1310	4.21	1356	4.55	1400	4.9	1443	5.25	1484	5.6	1525	5.95
2728	2200	1173	3.53	1224	3.88	1272	4.24	1319	4.6	1365	4.96	1409	5.33	1451	5.7	1493	6.08	1533	6.46
2976	2400	1186	3.87	1236	4.24	1284	4.62	1330	5	1375	5.39	1419	5.78	1461	6.17	1502	6.57	1542	6.97
3224	2600	1201	4.23	1250	4.62	1297	5.02	1343	5.43	1387	5.83	1430	6.25	1471	6.66	1512	7.08	1552	7.51
3472	2800	1217	4.62	1265	5.03	1311	5.45	1356	5.87	1400	6.31	1442	6.74	1483	7.18	1523	7.62	1562	8.06
3720	3000	1236	5.05	1282	5.47	1327	5.91	1371	6.35	1414	6.8	1456	7.26	1496	7.72	1536	8.18	1574	8.65
3968	3200	1256	5.52	1301	5.96	1345	6.41	1388	6.86	1430	7.33	1470	7.8	1510	8.28	1549	8.77	1588	9.26
4216	3400	1278	6.03	1322	6.49	1365	6.95	1406	7.42	1447	7.9	1487	8.38	1526	8.88	1564	9.38	1602	9.89
4464	3600	1301	6.58	1344	7.05	1386	7.54	1426	8.02	1466	8.52	1505	9.01	1543	9.52	1580	10.04	1617	10.56
4712	3800	1324	7.16	1367	7.66	1408	8.16	1448	8.67	1487	9.18	1525	9.7	1562	10.22	1598	10.75	1634	11.28
4960	4000	1348	7.78	1390	8.3	1431	8.83	1470	9.36	1508	9.89	1545	10.42	1582	10.96	1618	11.51	1653	12.06
5208	4200	1373	8.45	1414	8.99	1454	9.54	1493	10.09	1530	10.64	1567	11.19	1603	11.75	1638	12.32	1673	12.89
5456	4400	1399	9.15	1439	9.72	1479	10.29	1517	10.86	1554	11.44	1590	12.01	1625	12.59	1660	13.18	1694	13.76
5704	4600	1425	9.9	1465	10.49	1503	11.09	1541	11.68	1578	12.28	1613	12.88	1648	13.48	1682	14.08	1715	14.69
5952	4800	1452	10.7	1491	11.31	1529	11.93	1566	12.55	1602	13.17	1637	13.79	1671	14.41	1705	15.04	1738	15.67
6200	5000	1480	11.54	1518	12.18	1555	12.82	1591	13.46	1627	14.1	1662	14.75	1695	15.4	1729	16.05	1761	16.69
6443	5200	1508	12.44	1545	13.1	1582	13.76	1618	14.42	1652	15.09	1687	15.76	1720	16.43	1753	17.1	1785	17.78
6696	5400	1536	13.39	1573	14.07	1609	14.76	1644	15.44	1679	16.13	1712	16.82	1745	17.52	1778	18.21	1809	18.91
6944	5600	1565	14.39	1602	15.1	1637	15.81	1672	16.52	1705	17.23	1738	17.94	1771	18.65	1803	19.37	1834	20.09
7192	5800	1595	15.45	1631	16.18	1665	16.92	1699	17.65	1733	18.38	1765	19.11	1797	19.85	1828	20.59	1859	21.33
7440	6000	1625	16.57	1660	17.32	1694	18.08	1728	18.84	1760	19.59	1792	20.35	1824	21.11	1855	21.87	1885	22.63
7688	6200	1655	17.74	1689	18.52	1723	19.3	1756	20.09	1789	20.87	1820	21.65	1851	22.43	1881	23.21	1911	23.99
7936	6400	1685	18.97	1719	19.78	1753	20.59	1785	21.39	1817	22.2	1848	23	1879	23.81	1909	24.61	1938	25.42
8184	6600	1716	20.26	1750	21.1	1783	21.93	1815	22.77	1846	23.6	1877	24.43	1907	25.25	1936	26.08	1965	26.91

CFM	OV	10		11		12		13		14		15		16		17		18	
		RPM	BHP	RPM	BHP	RPM	BHP	RPM	BHP	RPM	BHP	RPM	BHP	RPM	BHP	RPM	BHP	RPM	BHP
2232	1800	1596	6.11	1671	6.8	1742	7.5	1811	8.22	1877	8.96	1941	9.72	2003	10.5	2063	11.29	2121	12.09
2480	2000	1603	6.66	1677	7.38	1748	8.12	1816	8.87	1882	9.64	1946	10.42	2007	11.22	2067	12.04	2125	12.87
2728	2200	1610	7.22	1684	7.99	1755	8.77	1823	9.56	1888	10.37	1951	11.18	2012	12.01	2072	12.86	2129	13.72
2976	2400	1619	7.79	1692	8.62	1763	9.45	1830	10.29	1895	11.14	1958	11.99	2019	12.86	2078	13.74	2135	14.63
3224	2600	1628	8.37	1701	9.24	1771	10.13	1838	11.02	1903	11.92	1965	12.83	2026	13.74	2084	14.66	2142	15.59
3472	2800	1638	8.97	1710	9.89	1780	10.82	1847	11.76	1911	12.71	1973	13.67	2034	14.64	2092	15.61	2149	16.59
3720	3000	1649	9.59	1721	10.55	1789	11.53	1856	12.52	1920	13.51	1982	14.52	2042	15.54	2100	16.57	2157	17.6
3968	3200	1661	10.25	1732	11.25	1800	12.26	1866	13.29	1929	14.34	1991	15.39	2051	16.46	2109	17.53	2165	18.61
4216	3400	1675	10.93	1744	11.97	1812	13.03	1877	14.1	1940	15.19	2001	16.28	2060	17.39	2118	18.51	2174	19.64
4464	3600	1689	11.63	1758	12.72	1824	13.83	1889	14.94	1951	16.07	2011	17.21	2070	18.36	2127	19.52	2183	20.69
4712	3800	1704	12.38	1772	13.51	1838	14.65	1902	15.81	1963	16.99	2023	18.16	2081	19.36	2138	20.56	2193	21.77
4960	4000	1721	13.18	1788	14.33	1853	15.51	1915	16.72	1976	17.93	2036	19.16	2093	20.39	2149	21.63	2204	22.89
5208	4200	1740	14.04	1805	15.21	1868	16.42	1930	17.65	1990	18.91	2049	20.18	2106	21.46	2162	22.75	2216	24.04
5456	4400	1759	14.95	1823	16.16	1885	17.38	1946	18.64	2005	19.93	2063	21.24	2120	22.56	2175	23.89	2228	25.24
5704	4600	1780	15.91	1843	17.15	1904	18.41	1963	19.69	2021	21.01	2078	22.34	2134	23.7	2188	25.07	2242	26.46
5952	4800	1802	16.93	1864	18.21	1924	19.5	1982	20.81	2039	22.15	2095	23.51	2149	24.89	2203	26.3	2256	27.72
6200	5000	1824	18	1885	19.32	1944	20.65	2001	21.99	2057	23.36	2112	24.74	2166	26.15	2219	27.58	2271	29.03
6443	5200	1847	19.12	1907	20.48	1965	21.85	2022	23.23	2077	24.63	2131	26.04	2184	27.47	2236	28.93	2287	30.41
6696	5400	1871	20.3	1930	21.7	1987	23.11	2043	24.53	2098	25.97	2151	27.41	2203	28.88	2254	30.35	2304	31.85
6944	5600	1895	21.53	1953	22.98	2010	24.43	2065	25.89	2119	27.36	2171	28.85	2223	30.34	2273	31.85	2322	33.38
7192	5800	1919	22.82	1977	24.31	2033	25.81	2088	27.31	2141	28.82	2193	30.34	2243	31.88	2293	33.42	2341	34.98
7440	6000	1944	24.17	2002	25.71	2057	27.25	2111	28.79	2163	30.34	2214	31.91	2264	33.48	2313	35.06	2361	36.65
7688	6200	1970	25.57	2026	27.16	2081	28.75	2135	30.34	2186	31.93	2237	33.53	2286	35.14	2335	36.76	2382	38.39
7936	6400	1996	27.04	2052	28.67	2106	30.3	2159	31.94	2210	33.58	2260	35.22	2309	36.87	2356	38.53	2403	40.2
8184	6600	2022	28.57	2077	30.24	2131	31.92	2183	33.61	2234	35.29	2283	36.98	2332	38.67	2379	40.37	2425	42.08

Performance certified is for Installation Type D: ducted inlet, ducted outlet. Performance ratings do not include the effects of appurtenances. Power rating (BHP) does not include transmission losses. Bold data shows fans maximum static efficiency.

TYPE WT | 17 - 61



CFM	OV	STATIC PRESSURE																	
		0.5		1		1.5		2		2.5		3		3.5		4		4.5	
		RPM	BHP	RPM	BHP	RPM	BHP	RPM	BHP	RPM	BHP	RPM	BHP	RPM	BHP	RPM	BHP	RPM	BHP
1590	1000	350	0.22	464	0.41	558	0.62	638	0.85	708	1.08	773	1.31	833	1.56	888	1.81	941	2.08
1908	1200	370	0.29	477	0.51	567	0.75	646	1	716	1.26	780	1.53	839	1.8	894	2.08	946	2.37
2226	1400	392	0.38	494	0.62	579	0.88	656	1.16	724	1.45	787	1.75	846	2.06	900	2.37	952	2.69
2544	1600	416	0.48	513	0.75	594	1.03	668	1.34	735	1.66	797	1.98	854	2.32	908	2.67	959	3.02
2862	1800	442	0.61	534	0.91	612	1.22	682	1.54	747	1.88	808	2.24	864	2.6	917	2.98	967	3.36
3180	2000	468	0.76	557	1.09	632	1.43	700	1.77	762	2.13	820	2.51	875	2.91	928	3.31	977	3.72
3498	2200	496	0.93	581	1.29	654	1.66	719	2.04	779	2.42	835	2.82	888	3.23	939	3.66	988	4.1
3816	2400	524	1.13	606	1.53	676	1.93	739	2.33	798	2.74	852	3.16	903	3.59	953	4.04	1000	4.5
4134	2600	553	1.36	631	1.8	699	2.22	761	2.66	818	3.1	871	3.54	921	4	968	4.46	1014	4.94
4452	2800	583	1.63	658	2.09	724	2.56	784	3.02	839	3.49	891	3.96	939	4.44	986	4.93	1030	5.43
4770	3000	613	1.93	685	2.43	749	2.92	807	3.42	861	3.92	912	4.42	959	4.93	1005	5.44	1048	5.97
5088	3200	644	2.26	713	2.8	775	3.33	831	3.86	884	4.38	933	4.92	980	5.46	1024	6	1067	6.55
5406	3400	675	2.64	742	3.21	802	3.77	857	4.33	908	4.89	956	5.46	1002	6.03	1045	6.6	1087	7.17
5724	3600	706	3.06	771	3.67	829	4.26	882	4.86	932	5.45	979	6.04	1024	6.64	1067	7.24	1108	7.85
6042	3800	738	3.52	800	4.17	856	4.8	909	5.43	957	6.05	1003	6.67	1047	7.3	1089	7.93	1129	8.57
6360	4000	769	4.03	830	4.71	885	5.38	935	6.04	983	6.7	1028	7.36	1070	8.01	1111	8.67	1151	9.34
6678	4200	802	4.59	860	5.31	913	6.01	963	6.71	1009	7.4	1053	8.09	1095	8.78	1135	9.47	1174	10.16
6996	4400	834	5.21	891	5.96	942	6.7	990	7.43	1036	8.15	1079	8.88	1120	9.59	1159	10.31	1197	11.04
7314	4600	866	5.87	922	6.67	972	7.44	1018	8.2	1063	8.96	1105	9.72	1145	10.47	1184	11.22	1221	11.97
7632	4800	899	6.6	953	7.43	1001	8.24	1047	9.03	1090	9.83	1132	10.62	1171	11.4	1209	12.19	1245	12.97
7950	5000	932	7.38	984	8.25	1031	9.1	1076	9.93	1118	10.75	1158	11.58	1197	12.4	1234	13.21	1270	14.03

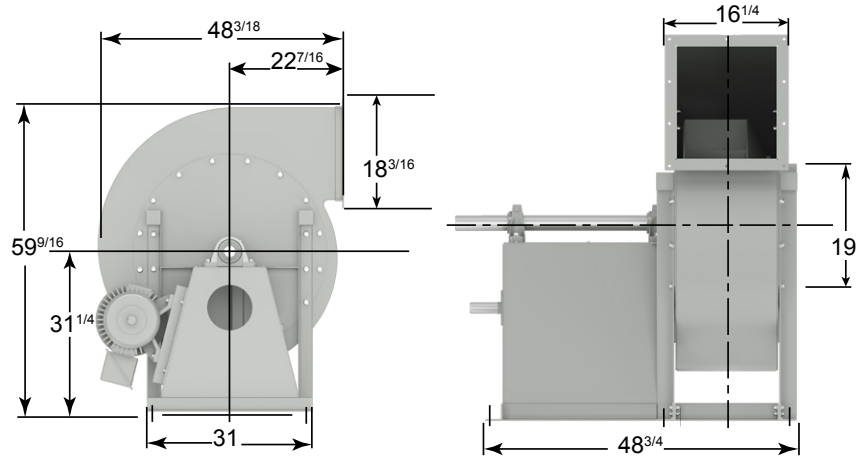
TYPE WT | 17 - 61

CFM	OV	5		5.5		6		6.5		7		7.5		8		8.5		9	
		RPM	BHP	RPM	BHP	RPM	BHP	RPM	BHP	RPM	BHP	RPM	BHP	RPM	BHP	RPM	BHP	RPM	BHP
2226	1400	1001	3.01	1047	3.34	1092	3.67	1134	4.02	1176	4.37	1216	4.72	1254	5.09	1292	5.46	1328	5.84
2544	1600	1008	3.37	1054	3.74	1098	4.1	1140	4.47	1181	4.84	1221	5.22	1259	5.61	1296	6	1333	6.39
2862	1800	1015	3.74	1061	4.14	1105	4.54	1147	4.94	1188	5.35	1227	5.75	1265	6.17	1302	6.58	1338	7
3180	2000	1024	4.13	1070	4.55	1113	4.98	1155	5.42	1195	5.86	1235	6.3	1272	6.75	1309	7.2	1345	7.65
3498	2200	1035	4.54	1079	4.99	1122	5.45	1163	5.91	1204	6.38	1242	6.86	1280	7.33	1316	7.82	1352	8.3
3816	2400	1046	4.98	1090	5.46	1132	5.94	1173	6.43	1213	6.93	1251	7.43	1288	7.94	1324	8.45	1360	8.97
4134	2600	1059	5.44	1102	5.95	1144	6.46	1184	6.98	1223	7.5	1261	8.03	1297	8.57	1333	9.11	1368	9.65
4452	2800	1074	5.94	1116	6.47	1156	7.01	1196	7.55	1234	8.11	1272	8.67	1308	9.23	1343	9.8	1378	10.37
4770	3000	1090	6.5	1131	7.04	1170	7.6	1209	8.16	1247	8.74	1284	9.33	1319	9.92	1354	10.52	1388	11.12
5088	3200	1108	7.1	1148	7.67	1186	8.24	1224	8.82	1261	9.42	1297	10.03	1332	10.65	1366	11.27	1400	11.9
5406	3400	1127	7.76	1166	8.34	1204	8.94	1240	9.54	1276	10.15	1311	10.78	1346	11.42	1379	12.06	1412	12.72
5724	3600	1147	8.46	1185	9.07	1222	9.69	1258	10.32	1293	10.95	1327	11.59	1361	12.24	1394	12.91	1426	13.58
6042	3800	1168	9.21	1205	9.85	1241	10.49	1277	11.15	1311	11.8	1344	12.47	1377	13.14	1409	13.82	1441	14.51
6360	4000	1189	10.01	1226	10.68	1262	11.35	1296	12.03	1330	12.71	1363	13.4	1395	14.1	1427	14.8	1457	15.51
6678	4200	1211	10.86	1247	11.56	1282	12.27	1316	12.97	1350	13.68	1382	14.39	1414	15.11	1445	15.84	1475	16.57
6996	4400	1234	11.77	1269	12.5	1304	13.23	1337	13.97	1370	14.71	1402	15.45	1433	16.19	1464	16.94	1493	17.7
7314	4600	1257	12.73	1292	13.49	1326	14.26	1359	15.02	1391	15.79	1423	16.56	1453	17.33	1483	18.11	1513	18.89
7632	4800	1281	13.76	1315	14.54	1348	15.34	1381	16.13	1413	16.93	1444	17.73	1474	18.53	1504	19.34	1533	20.15
7950	5000	1305	14.84	1339	15.66	1371	16.48	1403	17.31	1435	18.14	1465	18.97	1495	19.8	1524	20.63	1553	21.47
8268	5200	1330	16	1363	16.85	1395	17.7	1426	18.55	1457	19.4	1487	20.27	1517	21.13	1546	21.99	1574	22.86
8586	5400	1355	17.22	1387	18.1	1419	18.98	1450	19.86	1480	20.74	1510	21.63	1539	22.52	1568	23.42	1595	24.31
8904	5600	1380	18.51	1412	19.42	1444	20.33	1474	21.24	1504	22.15	1533	23.07	1562	23.99	1590	24.91	1617	25.84
9222	5800	1406	19.87	1438	20.81	1469	21.75	1499	22.69	1528	23.64	1557	24.58	1585	25.53	1612	26.48	1640	27.43
9540	6000	1433	21.3	1464	22.28	1494	23.25	1524	24.22	1552	25.19	1581	26.17	1608	27.14	1636	28.12	1662	29.1
9858	6200	1459	22.81	1490	23.82	1520	24.82	1549	25.83	1577	26.83	1605	27.83	1632	28.84	1659	29.84	1686	30.85
10176	6400	1486	24.39	1516	25.43	1546	26.47	1574	27.51	1602	28.55	1630	29.58	1657	30.61	1683	31.65	1709	32.69
10494	6600	1513	26.05	1543	27.13	1572	28.21	1600	29.28	1628	30.34	1655	31.41	1682	32.47	1708	33.54	1733	34.6

CFM	OV	10		11		12		13		14		15		16		17		18	
		RPM	BHP	RPM	BHP	RPM	BHP	RPM	BHP	RPM	BHP	RPM	BHP	RPM	BHP	RPM	BHP	RPM	BHP
2862	1800	1407	7.86	1473	8.74	1536	9.65	1597	10.57	1655	11.52	1712	12.5	1766	13.5	1819	14.51	1871	15.55
3180	2000	1413	8.56	1479	9.49	1541	10.44	1602	11.41	1660	12.39	1716	13.4	1770	14.43	1823	15.48	1874	16.55
3498	2200	1420	9.29	1485	10.28	1547	11.28	1607	12.3	1665	13.33	1721	14.38	1775	15.45	1827	16.54	1878	17.64
3816	2400	1428	10.02	1492	11.08	1554	12.15	1614	13.23	1671	14.32	1727	15.42	1780	16.54	1832	17.67	1883	18.81
4134	2600	1436	10.76	1500	11.88	1562	13.02	1621	14.17	1678	15.33	1733	16.5	1786	17.67	1838	18.86	1889	20.05
4452	2800	1444	11.53	1508	12.71	1570	13.91	1628	15.12	1685	16.35	1740	17.58	1793	18.83	1845	20.07	1895	21.33
4770	3000	1454	12.33	1517	13.57	1578	14.82	1637	16.09	1693	17.38	1748	18.68	1801	19.98	1852	21.31	1902	22.63
5088	3200	1465	13.18	1527	14.46	1587	15.77	1645	17.1	1701	18.44	1756	19.79	1808	21.16	1860	22.54	1909	23.93
5406	3400	1477	14.05	1538	15.4	1598	16.76	1655	18.13	1710	19.53	1764	20.94	1817	22.37	1867	23.81	1917	25.26
5724	3600	1489	14.96	1550	16.36	1609	17.78	1666	19.22	1720	20.66	1774	22.13	1826	23.61	1876	25.1	1925	26.61
6042	3800	1503	15.92	1563	17.37	1621	18.84	1677	20.34	1731	21.84	1784	23.36	1835	24.89	1885	26.44	1934	28
6360	4000	1518	16.95	1577	18.43	1634	19.95	1689	21.49	1743	23.06	1795	24.63	1846	26.22	1895	27.82	1944	29.43
6678	4200	1534	18.05	1592	19.56	1648	21.12	1702	22.7	1755	24.31	1807	25.95	1857	27.59	1906	29.25	1954	30.92
6996	4400	1552	19.22	1608	20.77	1663	22.35	1716	23.97	1768	25.63	1819	27.31	1869	29.01	1918	30.72	1965	32.45
7314	4600	1570	20.46	1625	22.06	1679	23.68	1731	25.33	1783	27.01	1833	28.73	1882	30.47	1930	32.24	1977	34.02
7632	4800	1589	21.77	1643	23.41	1696	25.08	1748	26.76	1798	28.48	1847	30.23	1896	32.01	1943	33.82	1989	35.65
7950	5000	1609	23.15	1662	24.84	1714	26.55	1765	28.28	1814	30.03	1863	31.81	1910	33.62	1957	35.46	2002	37.33
8268	5200	1629	24.59	1682	26.34	1733	28.1	1783	29.88	1832	31.67	1879	33.49	1926	35.33	1972	37.2	2016	39.1
8586	5400	1650	26.11	1702	27.91	1753	29.72	1802	31.55	1850	33.39	1897	35.25	1943	37.13	1987	39.03	2032	40.96
8904	5600	1671	27.69	1723	29.55	1773	31.42	1821	33.29	1869	35.19	1915	37.09	1960	39.02	2004	40.96	2048	42.92
9222	5800	1693	29.35	1744	31.27	1793	33.19	1841	35.12	1888	37.06	1934	39.02	1978	40.99	2022	42.98	2065	44.98
9540	6000	1715	31.08	1765	33.06	1814	35.04	1862	37.02	1908	39.02	1953	41.03	1997	43.05	2040	45.08	2082	47.13
9858	6200	1737	32.88	1787	34.92	1835	36.96	1882	39.01	1928	41.06	1973	43.12	2016	45.19	2059	47.27	2101	49.37
10176	6400	1760	34.7	1809	36.86	1857	38.97	1904	41.07	1949	43.18	1993	45.29	2036	47.42	2078	49.55	2119	51.69
10494	6600	1783	36.74	1832	38.89	1879	41.05	1925	43.22	1970	45.38	2014	47.55	2056	49.73	2098	51.91	2139	54.11

Performance certified is for Installation Type D: ducted inlet, ducted outlet. Performance ratings do not include the effects of appurtenances. Power rating (BHP) does not include transmission losses. Bold data shows fans maximum static efficiency.

TYPE WT | 19 - 61



CFM	OV	STATIC PRESSURE																	
		0.5		1		1.5		2		2.5		3		3.5		4		4.5	
		RPM	BHP	RPM	BHP	RPM	BHP	RPM	BHP	RPM	BHP	RPM	BHP	RPM	BHP	RPM	BHP	RPM	BHP
1970	1000	314	0.28	417	0.51	501	0.78	572	1.05	636	1.33	694	1.63	747	1.93	797	2.25	844	2.58
2364	1200	332	0.36	428	0.63	509	0.92	580	1.24	643	1.56	700	1.89	753	2.23	802	2.58	849	2.94
2758	1400	352	0.47	443	0.77	520	1.09	589	1.44	650	1.8	707	2.17	759	2.55	808	2.94	855	3.34
3152	1600	374	0.6	461	0.93	534	1.28	599	1.66	660	2.06	715	2.46	767	2.88	815	3.31	861	3.74
3546	1800	396	0.75	480	1.13	550	1.51	612	1.91	671	2.33	725	2.78	776	3.23	823	3.69	869	4.17
3940	2000	420	0.94	500	1.35	568	1.77	628	2.2	684	2.65	736	3.12	786	3.61	833	4.1	877	4.61
4334	2200	445	1.15	521	1.61	587	2.06	645	2.53	699	3	749	3.5	798	4.01	843	4.54	887	5.09
4728	2400	470	1.4	544	1.9	607	2.39	664	2.89	716	3.4	765	3.92	811	4.46	855	5.01	898	5.59
5122	2600	497	1.69	567	2.23	628	2.76	683	3.3	734	3.84	782	4.4	826	4.96	869	5.54	911	6.14
5516	2800	523	2.02	591	2.6	650	3.17	703	3.75	753	4.33	799	4.92	843	5.51	885	6.12	925	6.74
5910	3000	550	2.39	615	3.01	673	3.63	725	4.24	773	4.86	818	5.49	861	6.12	902	6.76	941	7.4
6304	3200	578	2.81	640	3.47	696	4.13	746	4.78	793	5.44	838	6.1	880	6.77	920	7.44	958	8.12
6698	3400	606	3.28	666	3.98	720	4.68	769	5.38	815	6.07	858	6.77	899	7.48	938	8.19	976	8.9
7092	3600	634	3.8	692	4.55	744	5.29	792	6.03	837	6.76	879	7.5	919	8.24	958	8.99	994	9.74
7486	3800	662	4.37	718	5.17	769	5.95	816	6.73	859	7.51	900	8.28	940	9.06	977	9.84	1014	10.63
7880	4000	691	5	745	5.85	794	6.68	840	7.5	882	8.31	923	9.13	961	9.94	998	10.76	1033	11.59
8274	4200	720	5.7	772	6.59	820	7.46	864	8.32	906	9.18	945	10.04	983	10.89	1019	11.75	1054	12.61
8668	4400	749	6.46	800	7.4	846	8.31	889	9.21	930	10.12	968	11.01	1005	11.91	1040	12.8	1074	13.7
9062	4600	778	7.29	827	8.27	872	9.23	914	10.18	954	11.12	992	12.06	1028	12.99	1063	13.92	1096	14.86
9456	4800	807	8.19	855	9.22	899	10.22	940	11.21	979	12.19	1016	13.17	1051	14.15	1085	15.12	1118	16.09
9850	5000	837	9.16	883	10.24	926	11.29	966	12.32	1004	13.34	1040	14.36	1075	15.38	1108	16.4	1140	17.41

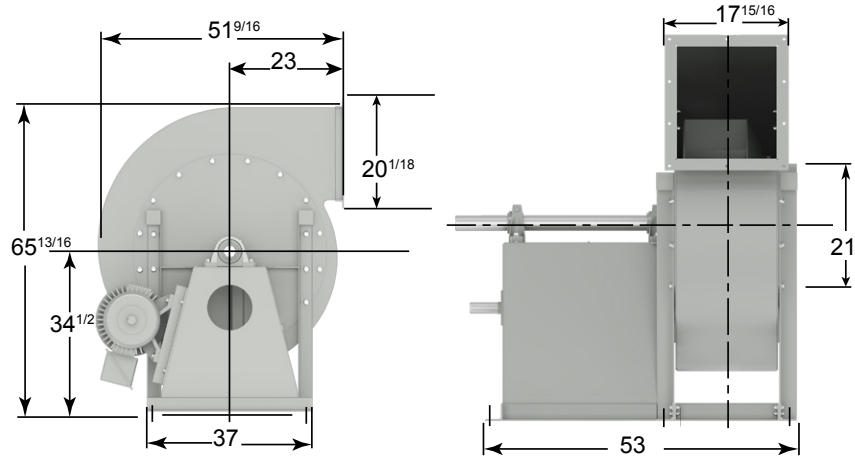
TYPE WT | 19 - 61

CFM	OV	5		5.5		6		6.5		7		7.5		8		8.5		9	
		RPM	BHP	RPM	BHP	RPM	BHP	RPM	BHP	RPM	BHP	RPM	BHP	RPM	BHP	RPM	BHP	RPM	BHP
2758	1400	898	3.74	940	4.14	980	4.56	1018	4.98	1056	5.42	1091	5.86	1126	6.31	1160	6.77	1192	7.25
3152	1600	905	4.19	946	4.63	986	5.09	1024	5.54	1061	6.01	1096	6.48	1130	6.96	1164	7.44	1196	7.93
3546	1800	912	4.65	953	5.13	992	5.63	1030	6.13	1067	6.63	1102	7.14	1136	7.65	1169	8.17	1201	8.69
3940	2000	920	5.13	960	5.65	999	6.18	1037	6.72	1073	7.27	1108	7.82	1142	8.37	1175	8.93	1207	9.49
4334	2200	929	5.64	969	6.19	1007	6.76	1045	7.34	1080	7.92	1115	8.51	1149	9.1	1182	9.7	1214	10.3
4728	2400	939	6.18	979	6.77	1016	7.37	1053	7.98	1089	8.6	1123	9.22	1156	9.85	1189	10.49	1221	11.13
5122	2600	951	6.75	989	7.38	1027	8.02	1063	8.66	1098	9.31	1132	9.97	1165	10.63	1197	11.3	1228	11.98
5516	2800	964	7.37	1001	8.03	1038	8.69	1074	9.37	1108	10.06	1142	10.75	1174	11.45	1206	12.16	1237	12.87
5910	3000	979	8.06	1015	8.73	1051	9.42	1085	10.13	1119	10.85	1152	11.58	1185	12.31	1216	13.05	1246	13.8
6304	3200	995	8.81	1030	9.51	1065	10.22	1099	10.95	1132	11.69	1164	12.44	1196	13.21	1227	13.99	1257	14.77
6698	3400	1012	9.62	1047	10.35	1080	11.09	1110	11.84	1145	12.6	1177	13.37	1208	14.16	1238	14.97	1268	15.78
7092	3600	1030	10.49	1064	11.25	1097	12.02	1129	12.8	1161	13.59	1191	14.38	1221	15.19	1251	16.02	1280	16.85
7486	3800	1048	11.42	1082	12.22	1114	13.02	1146	13.83	1177	14.65	1207	15.47	1236	16.3	1265	17.15	1294	18
7880	4000	1068	12.42	1101	13.25	1132	14.09	1164	14.93	1194	15.77	1223	16.63	1252	17.49	1281	18.36	1308	19.24
8274	4200	1087	13.48	1120	14.35	1151	15.22	1182	16.09	1212	16.98	1241	17.86	1269	18.75	1297	19.65	1324	20.56
8668	4400	1107	14.6	1139	15.51	1171	16.42	1201	17.33	1230	18.25	1259	19.17	1286	20.09	1314	21.02	1341	21.96
9062	4600	1128	15.8	1160	16.74	1190	17.69	1220	18.64	1249	19.59	1277	20.55	1305	21.51	1332	22.47	1358	23.44
9456	4800	1150	17.07	1180	18.05	1210	19.03	1240	20.02	1268	21.01	1296	22	1323	23	1350	24	1376	25
9850	5000	1171	18.42	1202	19.43	1231	20.45	1260	21.48	1288	22.51	1315	23.54	1342	24.57	1368	25.6	1394	26.64
10244	5200	1194	19.85	1223	20.9	1252	21.96	1281	23.02	1308	24.08	1335	25.15	1362	26.22	1388	27.29	1413	28.36
10638	5400	1216	21.37	1246	22.46	1274	23.55	1302	24.64	1329	25.74	1356	26.84	1382	27.95	1407	29.06	1432	30.17
11032	5600	1239	22.97	1268	24.1	1296	25.22	1323	26.35	1350	27.49	1376	28.62	1402	29.76	1427	30.91	1452	32.06
11426	5800	1263	24.65	1291	25.82	1318	26.99	1345	28.16	1372	29.33	1397	30.5	1423	31.67	1447	32.85	1472	34.04
11820	6000	1286	26.43	1314	27.64	1341	28.85	1368	30.06	1394	31.26	1419	32.47	1444	33.68	1468	34.89	1492	36.11
12214	6200	1310	28.3	1338	29.55	1364	30.8	1390	32.05	1416	33.29	1441	34.54	1465	35.78	1489	37.03	1513	38.28
12608	6400	1334	30.26	1361	31.56	1388	32.85	1413	34.14	1439	35.42	1463	36.7	1487	37.99	1511	39.27	1534	40.56
13002	6600	1359	32.33	1385	33.66	1411	35	1437	36.33	1461	37.65	1486	38.97	1510	40.29	1533	41.62	1556	42.94

CFM	OV	10		11		12		13		14		15		16		17		18	
		RPM	BHP	RPM	BHP	RPM	BHP	RPM	BHP	RPM	BHP	RPM	BHP	RPM	BHP	RPM	BHP	RPM	BHP
3546	1800	1263	9.76	1322	10.85	1379	11.97	1433	13.12	1486	14.3	1537	15.51	1586	16.75	1633	18.01	1679	19.3
3940	2000	1269	10.62	1328	11.78	1384	12.95	1438	14.15	1490	15.38	1540	16.63	1589	17.91	1636	19.21	1682	20.54
4334	2200	1275	11.52	1333	12.75	1389	14	1443	15.26	1495	16.54	1545	17.85	1593	19.17	1640	20.52	1686	21.89
4728	2400	1282	12.43	1340	13.75	1395	15.07	1449	16.41	1500	17.77	1550	19.13	1598	20.52	1645	21.92	1690	23.35
5122	2600	1289	13.35	1347	14.75	1402	16.16	1455	17.59	1506	19.02	1556	20.47	1604	21.92	1650	23.4	1695	24.88
5516	2800	1297	14.31	1354	15.77	1409	17.26	1462	18.76	1513	20.28	1562	21.82	1610	23.36	1656	24.91	1701	26.47
5910	3000	1305	15.3	1362	16.84	1417	18.39	1469	19.97	1520	21.56	1569	23.17	1616	24.8	1663	26.44	1707	28.08
6304	3200	1315	16.35	1371	17.95	1425	19.57	1477	21.21	1527	22.88	1576	24.56	1623	26.26	1669	27.97	1714	29.7
6698	3400	1326	17.43	1381	19.1	1434	20.79	1486	22.5	1536	24.23	1584	25.98	1631	27.75	1676	29.54	1721	31.34
7092	3600	1337	18.56	1392	20.3	1444	22.07	1495	23.84	1544	25.64	1592	27.46	1639	29.29	1684	31.15	1728	33.02
7486	3800	1349	19.75	1403	21.55	1455	23.38	1506	25.23	1554	27.1	1602	28.98	1648	30.88	1692	32.8	1736	34.74
7880	4000	1363	21.03	1415	22.87	1467	24.75	1516	26.67	1565	28.61	1612	30.57	1657	32.54	1701	34.52	1745	36.52
8274	4200	1377	22.4	1429	24.27	1479	26.2	1528	28.17	1576	30.17	1622	32.2	1667	34.24	1711	36.3	1754	38.36
8668	4400	1393	23.85	1443	25.78	1493	27.74	1541	29.75	1588	31.8	1633	33.88	1678	35.99	1722	38.12	1764	40.27
9062	4600	1409	25.39	1459	27.37	1507	29.38	1554	31.42	1600	33.52	1645	35.65	1689	37.81	1733	40	1775	42.22
9456	4800	1426	27.01	1475	29.05	1523	31.12	1569	33.21	1614	35.33	1658	37.5	1702	39.71	1744	41.96	1786	44.23
9850	5000	1444	28.72	1492	30.82	1539	32.95	1585	35.09	1629	37.27	1672	39.47	1715	41.72	1757	44	1798	46.32
10244	5200	1462	30.51	1510	32.68	1556	34.87	1601	37.07	1644	39.3	1687	41.55	1729	43.84	1770	46.16	1810	48.52
10638	5400	1481	32.39	1528	34.63	1573	36.88	1618	39.14	1661	41.43	1703	43.74	1744	46.07	1784	48.43	1824	50.82
11032	5600	1500	34.36	1546	36.67	1591	38.98	1635	41.31	1677	43.66	1719	46.03	1760	48.41	1799	50.83	1838	53.26
11426	5800	1519	36.42	1565	38.79	1610	41.18	1653	43.58	1695	45.99	1736	48.42	1776	50.36	1816	52.33	1853	55.82
11820	6000	1539	38.56	1585	41.02	1629	43.47	1671	45.94	1713	48.42	1753	50.91	1793	53.41	1831	55.94	1869	58.48
12214	6200	1559	40.8	1604	43.33	1648	45.86	1690	48.4	1731	50.95	1771	53.5	1810	56.07	1848	58.65	1886	61.25
12608	6400	1580	43.14	1624	45.74	1667	48.35	1709	50.96	1750	53.58	1789	56.2	1828	58.83	1866	61.48	1903	64.14
13002	6600	1601	45.59	1644	48.25	1687	50.94	1728	53.62	1768	56.31	1808	59.01	1846	61.71	1883	64.42	1920	67.14

Performance certified is for Installation Type D: ducted inlet, ducted outlet. Performance ratings do not include the effects of appurtenances. Power rating (BHP) does not include transmission losses. Bold data shows fans maximum static efficiency.

TYPE WT | 21 - 61



CFM	OV	STATIC PRESSURE																	
		0.5		1		1.5		2		2.5		3		3.5		4		4.5	
		RPM	BHP	RPM	BHP	RPM	BHP	RPM	BHP	RPM	BHP	RPM	BHP	RPM	BHP	RPM	BHP	RPM	BHP
2410	1000	291	0.34	385	0.62	459	0.93	523	1.25	580	1.59	632	1.94	680	2.32	726	2.7	768	3.11
2892	1200	306	0.44	397	0.77	470	1.12	532	1.48	588	1.86	640	2.26	687	2.66	731	3.08	773	3.51
3374	1400	323	0.57	411	0.94	482	1.33	543	1.74	598	2.16	648	2.6	695	3.05	739	3.51	780	3.97
3856	1600	341	0.72	426	1.14	495	1.57	555	2.02	609	2.49	659	2.97	705	3.46	748	3.96	788	4.47
4338	1800	360	0.9	441	1.36	509	1.85	568	2.34	621	2.85	670	3.37	715	3.9	758	4.44	798	5
4820	2000	380	1.12	458	1.63	524	2.15	582	2.69	634	3.24	682	3.81	726	4.38	768	4.97	808	5.56
5302	2200	401	1.37	476	1.93	540	2.5	597	3.08	648	3.68	695	4.29	739	4.9	780	5.53	819	6.17
5784	2400	422	1.67	495	2.27	557	2.88	612	3.51	663	4.16	709	4.81	752	5.47	793	6.14	831	6.82
6266	2600	445	2.01	514	2.66	574	3.32	628	3.99	678	4.68	723	5.38	766	6.08	806	6.79	844	7.51
6748	2800	467	2.39	534	3.1	592	3.8	645	4.51	693	5.25	738	5.99	781	6.74	820	7.5	858	8.26
7230	3000	491	2.83	555	3.59	611	4.34	663	5.1	710	5.87	754	6.66	796	7.46	835	8.26	872	9.07
7712	3200	514	3.32	576	4.13	631	4.93	681	5.74	727	6.55	770	7.38	811	8.22	850	9.07	886	9.93
8194	3400	538	3.87	598	4.73	651	5.59	700	6.44	745	7.29	787	8.16	827	9.05	865	9.94	901	10.85
8676	3600	562	4.49	620	5.4	672	6.3	719	7.2	763	8.11	804	9.02	844	9.94	881	10.88	917	11.83
9158	3800	587	5.17	643	6.13	693	7.08	739	8.04	782	8.98	822	9.94	861	10.9	898	11.88	933	12.87
9640	4000	611	5.92	665	6.93	714	7.93	759	8.94	801	9.94	841	10.94	879	11.94	915	12.96	949	13.99
10122	4200	636	6.74	689	7.8	736	8.86	780	9.91	821	10.96	860	12.01	897	13.06	932	14.12	966	15.19
10604	4400	661	7.65	712	8.75	758	9.86	801	10.96	841	12.06	879	13.16	915	14.26	950	15.36	983	16.47
11086	4600	686	8.63	736	9.78	781	10.94	822	12.09	862	13.25	899	14.39	934	15.54	969	16.69	1001	17.84
11568	4800	712	9.7	760	10.9	803	12.1	844	13.31	882	14.51	919	15.71	954	16.91	987	18.1	1020	19.3
12050	5000	737	10.85	784	12.1	826	13.36	866	14.61	904	15.87	939	17.12	974	18.36	1007	19.6	1038	20.85

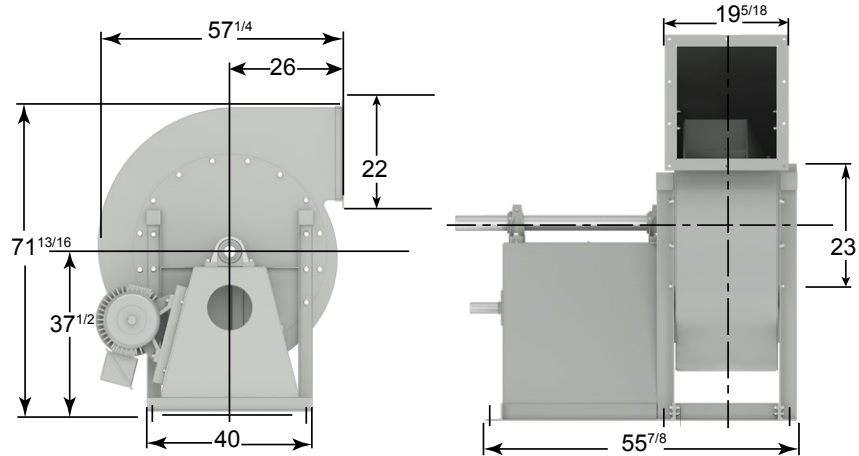
TYPE WT | 21 - 61

CFM	OV	5		5.5		6		6.5		7		7.5		8		8.5		9	
		RPM	BHP	RPM	BHP	RPM	BHP	RPM	BHP	RPM	BHP	RPM	BHP	RPM	BHP	RPM	BHP	RPM	BHP
3374	1400	819	4.45	857	4.94	893	5.45	927	5.96	961	6.49	993	7.03	1024	7.58	1055	8.14	1084	8.71
3856	1600	827	4.99	864	5.52	900	6.06	934	6.61	967	7.16	999	7.73	1030	8.31	1060	8.9	1089	9.5
4338	1800	836	5.56	873	6.14	908	6.72	941	7.31	974	7.9	1006	8.51	1036	9.12	1066	9.74	1095	10.37
4820	2000	846	6.17	882	6.78	917	7.41	950	8.04	983	8.68	1014	9.33	1044	9.98	1073	10.64	1102	11.31
5302	2200	857	6.81	892	7.47	927	8.14	960	8.81	992	9.49	1023	10.18	1053	10.88	1082	11.58	1110	12.29
5784	2400	868	7.51	904	8.2	938	8.91	970	9.63	1002	10.35	1033	11.08	1062	11.82	1091	12.57	1119	13.32
6266	2600	881	8.25	915	8.99	949	9.74	981	10.49	1013	11.26	1043	12.03	1072	12.81	1101	13.6	1129	14.39
6748	2800	894	9.04	928	9.82	961	10.61	993	11.41	1024	12.22	1054	13.03	1083	13.85	1112	14.68	1139	15.52
7230	3000	907	9.89	941	10.71	974	11.54	1006	12.38	1036	13.23	1066	14.09	1095	14.95	1123	15.82	1150	16.7
7712	3200	922	10.79	955	11.66	988	12.53	1019	13.42	1049	14.31	1078	15.21	1107	16.11	1135	17.02	1162	17.94
8194	3400	936	11.76	969	12.67	1001	13.59	1032	14.52	1062	15.45	1091	16.39	1120	17.33	1147	18.29	1174	19.25
8676	3600	951	12.79	984	13.75	1016	14.71	1046	15.68	1076	16.66	1105	17.64	1133	18.63	1160	19.62	1186	20.62
9158	3800	967	13.88	999	14.88	1031	15.9	1061	16.92	1090	17.94	1119	18.96	1146	19.99	1173	21.02	1200	22.07
9640	4000	983	15.04	1015	16.09	1046	17.15	1076	18.21	1105	19.28	1133	20.35	1161	21.43	1187	22.51	1213	23.59
10122	4200	999	16.28	1031	17.37	1061	18.47	1091	19.58	1120	20.7	1148	21.82	1175	22.94	1201	24.07	1227	25.19
10604	4400	1016	17.6	1047	18.73	1077	19.88	1107	21.03	1135	22.19	1163	23.36	1190	24.53	1216	25.7	1242	26.87
11086	4600	1033	19	1064	20.18	1094	21.36	1122	22.56	1151	23.76	1178	24.97	1205	26.19	1231	27.41	1256	28.63
11568	4800	1051	20.5	1081	21.72	1110	22.94	1139	24.18	1167	25.42	1194	26.67	1220	27.93	1246	29.2	1271	30.47
12050	5000	1069	22.1	1099	23.35	1128	24.61	1156	25.89	1183	27.17	1210	28.47	1236	29.77	1262	31.08	1286	32.39
12532	5200	1087	23.78	1117	25.08	1145	26.39	1173	27.7	1200	29.02	1226	30.36	1252	31.7	1277	33.05	1302	34.41
13014	5400	1106	25.57	1135	26.91	1163	28.26	1190	29.61	1217	30.98	1243	32.35	1269	33.73	1294	35.12	1318	36.52
13496	5600	1126	27.45	1154	28.84	1182	30.23	1208	31.63	1235	33.03	1260	34.45	1285	35.86	1310	37.29	1334	38.73
13978	5800	1145	29.45	1173	30.88	1200	32.32	1227	33.76	1253	35.2	1278	36.65	1303	38.11	1327	39.58	1351	41.06
14460	6000	1165	31.54	1193	33.02	1219	34.51	1245	35.99	1271	37.48	1296	38.97	1320	40.47	1344	41.98	1368	43.49
14942	6200	1185	33.75	1212	35.28	1239	36.81	1264	38.34	1290	39.87	1314	41.41	1338	42.95	1362	44.5	1385	46.05
15424	6400	1205	36.07	1232	37.65	1258	39.23	1284	40.8	1308	42.38	1333	43.96	1357	45.55	1380	47.14	1403	48.73
15906	6600	1226	38.5	1252	40.13	1278	41.76	1303	43.39	1328	45.01	1352	46.64	1375	48.26	1398	49.89	1421	51.53

CFM	OV	10		11		12		13		14		15		16		17		18	
		RPM	BHP	RPM	BHP	RPM	BHP	RPM	BHP	RPM	BHP	RPM	BHP	RPM	BHP	RPM	BHP	RPM	BHP
4338	1800	1151	11.66	1204	12.98	1255	14.35	1304	15.75	1351	17.19	1397	18.65	1441	20.14	1484	21.65	1526	23.2
4820	2000	1157	12.66	1210	14.05	1261	15.47	1309	16.93	1356	18.42	1402	19.95	1446	21.5	1488	23.08	1530	24.69
5302	2200	1165	13.73	1217	15.19	1267	16.68	1315	18.2	1362	19.74	1407	21.32	1451	22.93	1493	24.58	1534	26.25
5784	2400	1173	14.84	1225	16.39	1275	17.96	1323	19.55	1369	21.17	1413	22.81	1456	24.48	1498	26.17	1539	27.9
6266	2600	1183	16	1234	17.63	1283	19.29	1331	20.97	1376	22.67	1420	24.38	1463	26.12	1505	27.88	1546	29.66
6748	2800	1193	17.21	1243	18.92	1292	20.66	1339	22.43	1385	24.21	1428	26.02	1471	27.84	1512	29.68	1553	31.53
7230	3000	1203	18.47	1253	20.27	1302	22.09	1349	23.94	1394	25.8	1437	27.69	1479	29.6	1520	31.53	1560	33.47
7712	3200	1214	19.8	1264	21.68	1312	23.58	1358	25.51	1403	27.46	1446	29.43	1488	31.42	1529	33.43	1569	35.46
8194	3400	1226	21.19	1275	23.15	1323	25.13	1369	27.14	1413	29.17	1456	31.23	1498	33.3	1538	35.39	1578	37.5
8676	3600	1238	22.64	1287	24.69	1334	26.76	1380	28.85	1424	30.96	1466	33.09	1508	35.25	1548	37.42	1587	39.61
9158	3800	1250	24.17	1299	26.3	1346	28.45	1391	30.63	1435	32.82	1477	35.03	1518	37.27	1558	39.52	1597	41.79
9640	4000	1264	25.78	1312	27.99	1358	30.22	1403	32.48	1446	34.76	1488	37.05	1529	39.37	1569	41.7	1607	44.05
10122	4200	1277	27.46	1325	29.76	1371	32.07	1415	34.41	1458	36.77	1500	39.15	1540	41.55	1580	43.96	1618	46.39
10604	4400	1291	29.23	1339	31.61	1384	34.01	1428	36.43	1471	38.87	1512	41.33	1552	43.81	1591	46.3	1629	48.82
11086	4600	1305	31.08	1352	33.55	1398	36.03	1441	38.53	1484	41.05	1525	43.59	1564	46.15	1603	48.73	1641	51.33
11568	4800	1320	33.02	1367	35.57	1412	38.14	1455	40.72	1497	43.32	1537	45.95	1577	48.59	1615	51.25	1653	53.93
12050	5000	1335	35.03	1381	37.68	1426	40.34	1469	43.01	1510	45.69	1551	48.4	1590	51.12	1628	53.86	1665	56.62
12532	5200	1350	37.13	1396	39.88	1440	42.63	1483	45.4	1524	48.16	1564	50.95	1603	53.75	1641	56.57	1678	59.41
13014	5400	1365	39.33	1411	42.17	1455	45.01	1497	47.87	1539	50.73	1578	53.6	1617	56.49	1655	59.39	1691	62.31
13496	5600	1381	41.63	1426	44.55	1470	47.49	1512	50.44	1553	53.4	1592	56.36	1631	59.33	1668	62.31	1705	65.31
13978	5800	1397	44.03	1442	47.04	1485	50.06	1527	53.1	1568	56.15	1607	59.21	1645	62.28	1682	65.34	1718	68.42
14460	6000	1414	46.55	1458	49.63	1501	52.74	1542	55.87	1582	59.01	1621	62.16	1659	65.32	1696	68.48	1732	71.65
14942	6200	1430	49.18	1474	52.34	1517	55.54	1558	58.75	1598	61.98	1636	65.22	1674	68.47	1711	71.72	1747	74.98
15424	6400	1447	51.94	1491	55.18	1533	58.44	1573	61.74	1613	65.05	1651	68.38	1689	71.72	1725	75.07	1761	78.42
15906	6600	1465	54.82	1508	58.13	1549	61.48	1589	64.85	1629	68.25	1667	71.66	1704	75.08	1740	78.52	1776	81.97

Performance certified is for Installation Type D: ducted inlet, ducted outlet. Performance ratings do not include the effects of appurtenances. Power rating (BHP) does not include transmission losses. Bold data shows fans maximum static efficiency.

TYPE WT | 23 - 61



CFM	OV	STATIC PRESSURE																	
		0.5		1		1.5		2		2.5		3		3.5		4		4.5	
		RPM	BHP	RPM	BHP	RPM	BHP	RPM	BHP	RPM	BHP	RPM	BHP	RPM	BHP	RPM	BHP	RPM	BHP
2900	1000	266	0.41	351	0.75	419	1.12	477	1.5	529	1.91	577	2.33	621	2.78	662	3.25	701	3.73
3480	1200	279	0.53	362	0.92	429	1.34	486	1.78	537	2.24	584	2.71	627	3.2	667	3.7	706	4.22
4060	1400	295	0.68	375	1.13	439	1.6	496	2.09	546	2.6	592	3.12	634	3.66	674	4.21	712	4.77
4640	1600	311	0.86	388	1.37	452	1.89	506	2.43	556	2.99	601	3.56	643	4.15	682	4.76	719	5.37
5220	1800	328	1.08	403	1.64	465	2.22	518	2.81	567	3.42	611	4.05	652	4.69	691	5.34	728	6
5800	2000	347	1.34	418	1.95	478	2.59	531	3.24	579	3.9	622	4.57	663	5.26	701	5.97	737	6.68
6380	2200	366	1.65	434	2.31	493	3	545	3.7	591	4.42	634	5.15	674	5.89	712	6.64	748	7.41
6960	2400	385	2	451	2.73	508	3.46	559	4.22	605	4.99	647	5.77	686	6.57	723	7.37	759	8.19
7540	2600	406	2.41	469	3.2	524	3.98	573	4.79	618	5.62	660	6.46	699	7.3	736	8.16	770	9.02
8120	2800	427	2.87	487	3.72	541	4.56	589	5.42	633	6.3	674	7.19	712	8.1	748	9.01	783	9.92
8700	3000	448	3.4	506	4.31	558	5.21	605	6.12	648	7.05	688	7.99	726	8.95	762	9.92	796	10.89
9280	3200	469	3.99	526	4.96	576	5.92	621	6.89	663	7.87	703	8.86	740	9.87	775	10.9	809	11.93
9860	3400	491	4.65	546	5.68	594	6.71	638	7.73	680	8.76	718	9.8	755	10.87	789	11.94	823	13.03
10440	3600	513	5.39	566	6.48	613	7.57	656	8.65	696	9.73	734	10.83	770	11.94	804	13.07	837	14.21
11020	3800	535	6.21	586	7.36	632	8.51	674	9.65	713	10.79	750	11.94	785	13.1	819	14.27	851	15.46
11600	4000	558	7.11	607	8.32	652	9.53	693	10.73	731	11.93	767	13.13	802	14.34	835	15.57	866	16.81
12180	4200	580	8.1	628	9.37	671	10.64	711	11.9	749	13.16	785	14.42	818	15.69	851	16.96	882	18.24
12760	4400	603	9.18	650	10.51	692	11.84	731	13.17	767	14.49	802	15.81	835	17.12	867	18.45	897	19.78
13340	4600	626	10.36	671	11.75	712	13.14	750	14.53	786	15.91	820	17.29	853	18.66	884	20.04	914	21.43
13920	4800	650	11.65	693	13.09	733	14.54	770	15.98	805	17.43	839	18.87	870	20.3	901	21.74	930	23.18
14500	5000	673	13.03	715	14.53	754	16.04	790	17.55	824	19.06	857	20.56	888	22.05	919	23.54	947	25.04

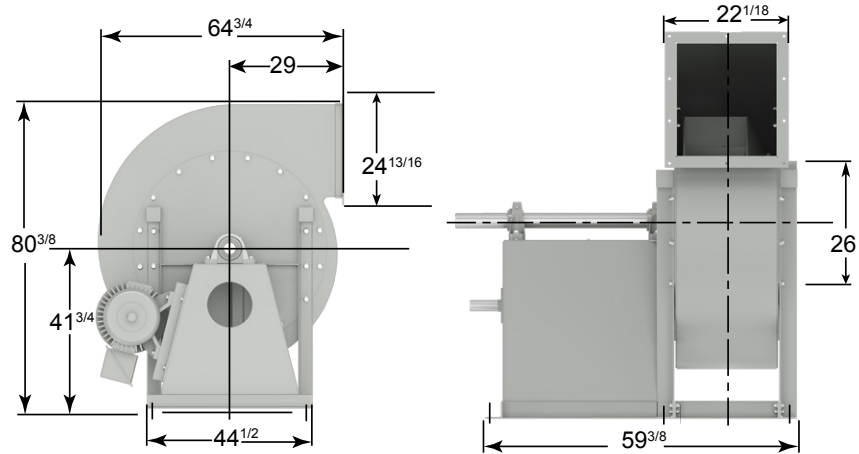
TYPE WT | 23 - 61

CFM	OV	5		5.5		6		6.5		7		7.5		8		8.5		9	
		RPM	BHP	RPM	BHP	RPM	BHP	RPM	BHP	RPM	BHP	RPM	BHP	RPM	BHP	RPM	BHP	RPM	BHP
4060	1400	748	5.35	782	5.94	815	6.54	846	7.16	877	7.8	906	8.45	935	9.11	962	9.78	989	10.46
4640	1600	755	6	788	6.63	821	7.28	852	7.94	882	8.6	911	9.29	940	9.98	967	10.69	994	11.41
5220	1800	763	6.68	796	7.37	828	8.07	859	8.78	889	9.49	918	10.22	946	10.95	973	11.7	999	12.45
5800	2000	772	7.41	805	8.15	837	8.9	867	9.65	897	10.42	925	11.2	953	11.99	980	12.78	1006	13.58
6380	2200	782	8.18	814	8.97	846	9.77	876	10.58	905	11.4	933	12.23	961	13.07	987	13.91	1013	14.76
6960	2400	792	9.02	825	9.85	856	10.7	885	11.56	914	12.43	942	13.31	969	14.2	996	15.09	1021	15.99
7540	2600	804	9.9	835	10.79	866	11.69	896	12.6	924	13.52	952	14.45	979	15.38	1005	16.33	1030	17.28
8120	2800	815	10.85	847	11.79	877	12.74	906	13.7	934	14.67	962	15.65	988	16.64	1014	17.63	1040	18.63
8700	3000	828	11.87	859	12.86	889	13.86	918	14.87	946	15.89	973	16.92	999	17.96	1025	19	1050	20.05
9280	3200	841	12.96	872	14	901	15.05	930	16.11	957	17.18	984	18.26	1010	19.35	1035	20.44	1060	21.55
9860	3400	854	14.12	885	15.22	914	16.32	942	17.42	969	18.55	996	19.68	1022	20.82	1047	21.96	1071	23.12
10440	3600	868	15.35	898	16.51	927	17.67	955	18.83	982	20	1008	21.18	1034	22.37	1058	23.56	1083	24.77
11020	3800	882	16.66	912	17.88	940	19.09	968	20.32	995	21.54	1021	22.77	1046	24.01	1071	25.25	1095	26.5
11600	4000	897	18.06	926	19.32	954	20.6	982	21.88	1008	23.16	1034	24.45	1059	25.74	1083	27.03	1107	28.33
12180	4200	911	19.55	940	20.86	968	22.19	995	23.52	1022	24.86	1047	26.2	1072	27.55	1096	28.9	1120	30.26
12760	4400	927	21.13	955	22.5	983	23.37	1010	25.26	1036	26.65	1061	28.05	1086	29.46	1110	30.86	1133	32.28
13340	4600	943	22.82	971	24.23	998	25.66	1024	27.09	1050	28.54	1075	29.99	1099	31.45	1123	32.92	1146	34.39
13920	4800	959	24.62	986	26.08	1013	27.55	1039	29.04	1065	30.53	1089	32.04	1113	33.55	1137	35.07	1160	36.59
14500	5000	975	26.54	1003	28.04	1029	29.56	1055	31.09	1080	32.63	1104	34.19	1128	35.75	1151	37.32	1174	38.9
15080	5200	992	28.56	1019	30.12	1045	31.69	1070	33.27	1095	34.86	1119	36.46	1143	38.07	1166	39.69	1188	41.32
15660	5400	1010	30.71	1036	32.32	1061	33.94	1086	35.56	1111	37.2	1134	38.85	1158	40.51	1180	42.18	1203	43.86
16240	5600	1027	32.97	1053	34.64	1078	36.31	1103	37.99	1127	39.67	1150	41.37	1173	43.07	1195	44.79	1217	46.52
16820	5800	1045	35.36	1070	37.09	1095	38.81	1119	40.54	1143	42.28	1166	44.02	1189	45.77	1211	47.53	1233	49.31
17400	6000	1063	37.88	1088	39.66	1113	41.44	1136	43.23	1160	45.01	1183	46.81	1205	48.61	1227	50.42	1248	52.23
17980	6200	1081	40.53	1106	42.37	1130	44.21	1154	46.05	1177	47.89	1199	49.73	1221	51.58	1243	53.44	1264	55.31
18560	6400	1100	43.32	1124	45.21	1148	47.11	1171	49	1194	50.9	1216	52.8	1238	54.7	1259	56.61	1280	58.52
19140	6600	1119	46.24	1143	48.2	1166	50.15	1189	52.1	1211	54.06	1233	56.01	1255	57.96	1276	59.92	1296	61.89

CFM	OV	10		11		12		13		14		15		16		17		18	
		RPM	BHP	RPM	BHP	RPM	BHP	RPM	BHP	RPM	BHP	RPM	BHP	RPM	BHP	RPM	BHP	RPM	BHP
5220	1800	1050	14	1099	15.59	1145	17.24	1190	18.92	1233	20.64	1275	22.39	1315	24.18	1354	26	1392	27.86
5800	2000	1056	15.21	1104	16.87	1150	18.58	1195	20.33	1238	22.12	1279	23.95	1319	25.82	1358	27.72	1396	29.65
6380	2200	1063	16.49	1111	18.25	1156	20.03	1200	21.85	1243	23.71	1284	25.61	1324	27.54	1362	29.52	1400	31.53
6960	2400	1071	17.83	1118	19.69	1163	21.57	1207	23.48	1249	25.42	1290	27.39	1329	29.39	1367	31.43	1405	33.5
7540	2600	1079	19.21	1126	21.18	1171	23.17	1214	25.18	1256	27.22	1296	29.28	1335	31.37	1373	33.48	1410	35.63
8120	2800	1088	20.66	1135	22.73	1179	24.82	1222	26.93	1263	29.08	1303	31.24	1342	33.43	1380	35.64	1417	37.87
8700	3000	1098	22.18	1144	24.34	1188	26.53	1231	28.75	1272	30.99	1311	33.26	1350	35.55	1387	37.86	1424	40.2
9280	3200	1108	23.77	1153	26.03	1197	28.32	1240	30.63	1280	32.98	1320	35.34	1358	37.73	1395	40.15	1431	42.58
9860	3400	1118	25.45	1164	27.8	1207	30.19	1249	32.6	1290	35.04	1329	37.5	1367	39.99	1404	42.5	1440	45.04
10440	3600	1129	27.2	1174	29.65	1217	32.14	1259	34.65	1299	37.18	1338	39.74	1376	42.33	1413	44.94	1448	47.57
11020	3800	1141	29.03	1185	31.59	1228	34.17	1269	36.78	1309	39.42	1348	42.07	1385	44.76	1422	47.46	1457	50.19
11600	4000	1153	30.96	1197	33.61	1239	36.3	1280	39.01	1320	41.74	1358	44.5	1395	47.28	1431	50.08	1467	52.91
12180	4200	1165	32.98	1209	35.74	1251	38.52	1291	41.33	1331	44.16	1369	47.02	1406	49.89	1442	52.79	1477	55.71
12760	4400	1178	35.11	1221	37.96	1263	40.84	1303	43.75	1342	46.68	1380	49.63	1416	52.61	1452	55.61	1487	58.63
13340	4600	1191	37.33	1234	40.29	1275	43.27	1315	46.27	1354	49.3	1391	52.35	1427	55.43	1463	58.53	1497	61.65
13920	4800	1204	39.65	1247	42.72	1288	45.8	1328	48.9	1366	52.03	1403	55.18	1439	58.36	1474	61.55	1508	64.77
14500	5000	1218	42.07	1260	45.26	1301	48.45	1340	51.65	1378	54.88	1415	58.13	1451	61.4	1486	64.69	1520	68
15080	5200	1232	44.6	1274	47.89	1314	51.2	1353	54.52	1391	57.84	1427	61.19	1463	64.56	1498	67.94	1531	71.36
15660	5400	1246	47.24	1288	50.64	1328	54.06	1366	57.49	1404	60.93	1440	64.38	1475	67.84	1510	71.32	1543	74.83
16240	5600	1260	50	1302	53.5	1341	57.03	1380	60.58	1417	64.13	1453	67.69	1488	71.25	1522	74.83	1556	78.43
16820	5800	1275	52.88	1316	56.49	1355	60.12	1393	63.78	1430	67.44	1466	71.11	1501	74.79	1535	78.47	1568	82.17
17400	6000	1290	55.9	1330	59.61	1369	63.34	1407	67.1	1444	70.87	1480	74.66	1514	78.45	1548	82.25	1581	86.05
17980	6200	1305	59.07	1345	62.86	1384	66.7	1421	70.55	1458	74.43	1493	78.32	1528	82.23	1561	86.14	1594	90.05
18560	6400	1321	62.37	1360	66.26	1399	70.19	1436	74.15	1472	78.12	1507	82.12	1541	86.13	1574	90.15	1607	94.18
19140	6600	1337	65.83	1376	69.81	1414	73.83	1450	77.88	1486	81.96	1521	86.06	1555	90.18	1588	94.3	1620	98.44

Performance certified is for Installation Type D: ducted inlet, ducted outlet. Performance ratings do not include the effects of appurtenances. Power rating (BHP) does not include transmission losses. Bold data shows fans maximum static efficiency.

TYPE WT | 26 - 61



CFM	OV	STATIC PRESSURE																	
		0.5		1		1.5		2		2.5		3		3.5		4		4.5	
		RPM	BHP	RPM	BHP	RPM	BHP	RPM	BHP	RPM	BHP	RPM	BHP	RPM	BHP	RPM	BHP	RPM	BHP
3690	1000	236	0.52	311	0.95	371	1.42	423	1.91	469	2.43	511	2.97	550	3.54	587	4.13	621	4.75
4428	1200	248	0.67	321	1.18	380	1.71	431	2.27	476	2.85	517	3.45	556	4.07	591	4.71	625	5.37
5166	1400	261	0.86	332	1.44	390	2.04	439	2.66	484	3.31	524	3.97	562	4.66	598	5.36	631	6.08
5904	1600	276	1.1	344	1.74	400	2.4	449	3.09	493	3.8	533	4.54	570	5.29	605	6.05	638	6.84
6642	1800	291	1.38	357	2.09	412	2.82	459	3.58	502	4.35	542	5.15	578	5.96	613	6.79	645	7.64
7380	2000	307	1.71	371	2.49	424	3.29	471	4.12	513	4.96	552	5.82	588	6.7	622	7.59	654	8.5
8118	2200	324	2.1	385	2.95	437	3.82	483	4.71	524	5.62	562	6.55	598	7.49	631	8.45	663	9.43
8856	2400	342	2.55	400	3.47	450	4.41	495	5.37	536	6.36	573	7.35	608	8.36	641	9.38	673	10.42
9594	2600	360	3.07	416	4.07	464	5.07	508	6.1	548	7.15	585	8.22	620	9.29	652	10.38	683	11.49
10332	2800	378	3.66	432	4.74	479	5.81	522	6.9	561	8.02	597	9.16	631	10.31	663	11.46	694	12.63
11070	3000	397	4.32	449	5.48	495	6.63	536	7.79	574	8.97	610	10.17	643	11.39	675	12.63	705	13.86
11808	3200	416	5.08	466	6.31	510	7.54	551	8.77	588	10.01	623	11.28	656	12.57	687	13.87	717	15.18
12546	3400	435	5.92	484	7.23	527	8.54	566	9.84	602	11.15	637	12.48	669	13.83	700	15.2	729	16.58
13284	3600	455	6.86	501	8.25	543	9.63	582	11.01	617	12.39	651	13.78	682	15.19	713	16.63	742	18.08
14022	3800	474	7.9	520	9.36	560	10.83	598	12.28	632	13.73	665	15.19	696	16.67	726	18.16	754	19.68
14760	4000	494	9.05	538	10.59	578	12.13	614	13.66	648	15.19	680	16.72	711	18.26	740	19.81	768	21.39
15498	4200	515	10.31	557	11.92	595	13.54	631	15.15	664	16.75	695	18.36	725	19.96	754	21.58	781	23.22
16236	4400	535	11.69	576	13.37	613	15.07	648	16.76	680	18.44	711	20.12	740	21.79	768	23.48	795	25.18
16974	4600	555	13.19	595	14.95	631	16.72	665	18.49	697	20.25	727	22	756	23.75	783	25.51	810	27.27
17712	4800	576	14.82	614	16.66	650	18.5	683	20.34	714	22.18	743	24.01	772	25.84	799	27.66	825	29.5
18450	5000	596	16.59	634	18.5	668	20.42	700	22.34	731	24.25	760	26.16	788	28.06	814	29.96	840	31.86

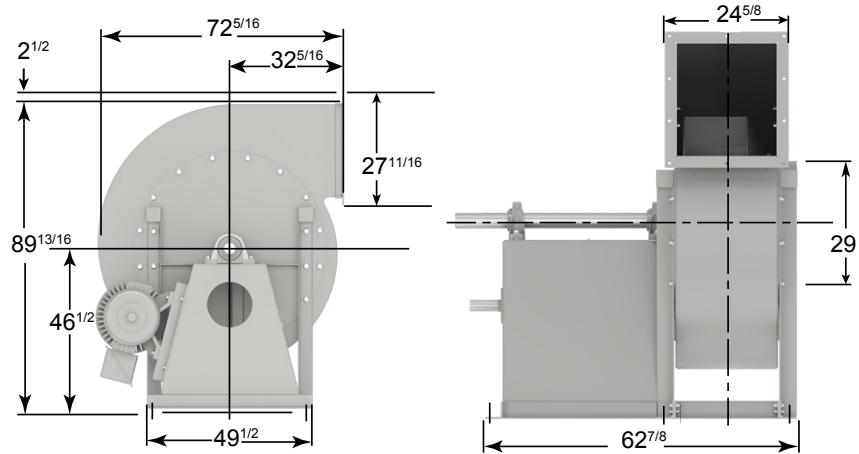
TYPE WT | 26 - 61

CFM	OV	5		5.5		6		6.5		7		7.5		8		8.5		9	
		RPM	BHP	RPM	BHP	RPM	BHP	RPM	BHP	RPM	BHP	RPM	BHP	RPM	BHP	RPM	BHP	RPM	BHP
5166	1400	663	6.81	693	7.56	722	8.32	750	9.11	777	9.92	803	10.75	829	11.59	853	12.45	877	13.32
5904	1600	669	7.63	699	8.44	728	9.26	755	10.1	782	10.95	808	11.82	833	12.7	857	13.61	881	14.53
6642	1800	676	8.5	706	9.38	734	10.27	762	11.17	788	12.08	813	13	838	13.94	862	14.88	886	15.85
7380	2000	684	9.43	714	10.37	742	11.32	769	12.29	795	13.27	820	14.26	844	15.26	868	16.26	891	17.28
8118	2200	693	10.42	722	11.42	750	12.44	776	13.47	802	14.51	827	15.56	852	16.63	875	17.7	898	18.79
8856	2400	702	11.47	731	12.54	758	13.62	785	14.71	810	15.82	835	16.94	859	18.07	883	19.21	905	20.36
9594	2600	712	12.6	740	13.74	768	14.88	794	16.04	819	17.2	844	18.39	867	19.58	891	20.78	913	21.99
10332	2800	723	13.81	751	15.01	777	16.22	803	17.44	828	18.67	853	19.92	876	21.17	899	22.44	922	23.71
11070	3000	734	15.11	761	16.37	788	17.64	813	18.93	838	20.23	862	21.53	885	22.85	908	24.18	930	25.52
11808	3200	745	16.5	773	17.82	799	19.16	824	20.51	848	21.87	872	23.24	895	24.63	918	26.02	940	27.42
12546	3400	757	17.97	784	19.37	810	20.77	835	22.19	859	23.61	883	25.05	906	26.49	928	27.95	949	29.42
13284	3600	769	19.54	796	21.01	822	22.49	846	23.97	870	25.46	894	26.96	916	28.47	938	29.99	960	31.52
14022	3800	782	21.21	808	22.75	834	24.3	858	25.86	882	27.41	905	28.98	927	30.55	949	32.13	970	33.73
14760	4000	795	22.98	821	24.59	846	26.21	870	27.84	894	29.47	917	31.11	939	32.75	960	34.4	981	36.06
15498	4200	808	24.88	834	26.55	858	28.24	882	29.93	906	31.64	928	33.35	950	35.06	972	36.78	993	38.51
16236	4400	822	26.89	847	28.63	871	30.38	895	32.14	918	33.92	941	35.7	962	37.49	984	39.28	1004	41.08
16974	4600	836	29.05	860	30.84	885	32.65	908	34.48	931	36.32	953	38.17	975	40.03	996	41.89	1016	43.76
17712	4800	850	31.34	874	33.19	898	35.06	921	36.95	944	38.86	966	40.77	987	42.7	1008	44.63	1028	46.57
18450	5000	865	33.77	889	35.69	912	37.62	935	39.57	957	41.53	979	43.51	1000	45.5	1020	47.5	1041	49.51
19188	5200	880	36.35	903	38.34	926	40.33	949	42.34	971	44.36	992	46.4	1013	48.45	1033	50.51	1053	52.59
19926	5400	895	39.08	918	41.13	941	43.19	963	45.26	984	47.34	1006	49.44	1026	51.55	1046	53.68	1066	55.81
20664	5600	910	41.96	933	44.09	956	46.21	977	48.35	999	50.49	1019	52.65	1040	54.82	1060	57	1079	59.2
21402	5800	926	45.01	949	47.2	971	49.39	992	51.6	1013	53.8	1034	56.02	1054	58.25	1073	60.49	1093	62.75
22140	6000	942	48.21	965	50.48	986	52.74	1007	55.01	1028	57.29	1048	59.57	1068	61.86	1087	64.16	1106	66.48
22878	6200	959	51.58	981	53.92	1002	56.26	1023	58.6	1043	60.94	1063	63.29	1082	65.65	1102	68.01	1120	70.39
23616	6400	975	55.13	997	57.54	1018	59.96	1038	62.37	1058	64.78	1078	67.19	1097	69.62	1116	72.04	1135	74.48
24354	6600	992	58.85	1013	61.34	1034	63.83	1054	66.31	1074	68.79	1093	71.28	1112	73.77	1131	76.26	1149	78.76

CFM	OV	10		11		12		13		14		15		16		17		18	
		RPM	BHP	RPM	BHP	RPM	BHP	RPM	BHP	RPM	BHP	RPM	BHP	RPM	BHP	RPM	BHP	RPM	BHP
6642	1800	931	17.82	974	19.85	1015	21.94	1055	24.08	1093	26.27	1130	28.5	1166	30.78	1200	33.1	1234	35.46
7380	2000	936	19.35	979	21.47	1020	23.64	1059	25.87	1097	28.15	1134	30.49	1169	32.86	1204	35.28	1237	37.74
8118	2200	942	20.99	984	23.22	1025	25.5	1064	27.81	1102	30.18	1138	32.59	1173	35.05	1208	37.57	1241	40.12
8856	2400	949	22.69	991	25.06	1031	27.46	1070	29.89	1107	32.36	1143	34.86	1178	37.41	1212	40	1245	42.64
9594	2600	957	24.45	998	26.95	1038	29.48	1076	32.05	1113	34.65	1149	37.27	1184	39.92	1217	42.61	1250	45.34
10332	2800	965	26.3	1006	28.92	1045	31.58	1083	34.28	1120	37	1155	39.76	1190	42.55	1223	45.36	1256	48.19
11070	3000	973	28.23	1014	30.98	1053	33.77	1091	36.59	1127	39.44	1162	42.33	1197	45.24	1230	48.19	1262	51.16
11808	3200	982	30.26	1022	33.13	1061	36.04	1099	38.99	1135	41.97	1170	44.98	1204	48.02	1237	51.09	1269	54.19
12546	3400	991	32.38	1031	35.38	1070	38.42	1107	41.49	1143	44.59	1178	47.73	1212	50.9	1244	54.09	1276	57.32
13284	3600	1001	34.61	1041	37.74	1079	40.9	1116	44.09	1152	47.32	1186	50.58	1220	53.87	1252	57.19	1284	60.54
14022	3800	1011	36.95	1051	40.2	1089	43.49	1125	46.81	1161	50.16	1195	53.55	1228	56.96	1260	60.41	1292	63.88
14760	4000	1022	39.4	1061	42.78	1099	46.2	1135	49.65	1170	53.12	1204	56.63	1237	60.17	1269	63.73	1300	67.33
15498	4200	1033	41.97	1072	45.48	1109	49.02	1145	52.6	1180	56.2	1213	59.84	1246	63.5	1278	67.19	1309	70.91
16236	4400	1044	44.68	1083	48.31	1120	51.97	1155	55.67	1190	59.41	1223	63.17	1255	66.96	1287	70.77	1318	74.61
16974	4600	1056	47.51	1094	51.27	1131	55.06	1166	58.89	1200	62.74	1233	66.63	1265	70.54	1297	74.49	1327	78.45
17712	4800	1068	50.46	1105	54.37	1142	58.29	1177	62.24	1211	66.22	1244	70.23	1276	74.27	1307	78.34	1337	82.43
18450	5000	1080	53.54	1117	57.6	1153	61.66	1188	65.74	1222	69.84	1254	73.97	1286	78.14	1317	82.33	1347	86.55
19188	5200	1092	56.76	1129	60.95	1165	65.16	1200	69.39	1233	73.62	1265	77.87	1297	82.16	1327	86.47	1357	90.81
19926	5400	1104	60.12	1141	64.45	1177	68.8	1211	73.17	1244	77.55	1277	81.93	1308	86.34	1338	90.77	1368	95.23
20664	5600	1117	63.63	1154	68.09	1189	72.58	1223	77.09	1256	81.61	1288	86.14	1319	90.68	1349	95.24	1379	99.82
21402	5800	1130	67.3	1166	71.9	1201	76.52	1235	81.16	1268	85.83	1300	90.5	1331	95.18	1361	99.87	1390	104.6
22140	6000	1143	71.15	1179	75.86	1214	80.62	1247	85.39	1280	90.2	1312	95.01	1342	99.84	1372	104.7	1401	109.5
22878	6200	1157	75.17	1192	80.01	1227	84.88	1260	89.79	1292	94.73	1324	99.68	1354	104.6	1384	109.6	1413	114.6
23616	6400	1171	79.38	1206	84.33	1240	89.33	1273	94.36	1305	99.43	1336	104.5	1366	109.6	1396	114.7	1424	119.9
24354	6600	1185	83.79	1219	88.85	1253	93.96	1286	99.12	1317	104.3	1348	109.5	1373	114.8	1408	120	1436	125.3

Performance certified is for Installation Type D: ducted inlet, ducted outlet. Performance ratings do not include the effects of appurtenances. Power rating (BHP) does not include transmission losses. Bold data shows fans maximum static efficiency.

TYPE WT | 29 - 61



CFM	OV	STATIC PRESSURE																	
		0.5		1		1.5		2		2.5		3		3.5		4		4.5	
		RPM	BHP	RPM	BHP	RPM	BHP	RPM	BHP	RPM	BHP	RPM	BHP	RPM	BHP	RPM	BHP	RPM	BHP
4620	1000	210	0.65	278	1.19	332	1.78	378	2.4	419	3.04	457	3.72	492	4.43	524	5.18	555	5.95
5544	1200	221	0.84	287	1.47	339	2.14	385	2.84	425	3.57	462	4.32	496	5.1	529	5.9	559	6.73
6468	1400	233	1.08	297	1.8	348	2.55	392	3.33	432	4.14	469	4.98	502	5.83	534	6.71	564	7.61
7392	1600	246	1.38	308	2.18	358	3.01	401	3.87	440	4.77	476	5.68	509	6.62	540	7.58	570	8.56
8316	1800	260	1.73	319	2.61	368	3.54	411	4.48	449	5.45	484	6.45	517	7.47	548	8.51	577	9.57
9240	2000	275	2.14	331	3.11	379	4.12	421	5.16	458	6.21	493	7.29	525	8.39	555	9.51	584	10.65
10164	2200	290	2.63	344	3.69	390	4.78	431	5.9	468	7.04	502	8.2	534	9.38	564	10.59	592	11.81
11088	2400	305	3.19	358	4.35	402	5.52	442	6.73	479	7.96	512	9.2	544	10.46	573	11.75	601	13.05
12012	2600	321	3.84	372	5.09	415	6.35	454	7.64	490	8.95	523	10.29	554	11.64	583	13	610	14.38
12936	2800	338	4.58	386	5.93	428	7.28	466	8.64	501	10.04	534	11.47	564	12.91	593	14.36	620	15.82
13860	3000	355	5.42	401	6.87	442	8.31	479	9.75	513	11.23	545	12.74	575	14.27	603	15.81	630	17.36
14784	3200	372	6.36	416	7.91	456	9.44	492	10.98	525	12.54	557	14.12	586	15.74	614	17.37	641	19.01
15708	3400	389	7.41	432	9.06	471	10.69	506	12.32	538	13.96	569	15.63	598	17.32	625	19.04	652	20.77
16632	3600	406	8.59	448	10.33	485	12.06	520	13.79	551	15.52	581	17.26	610	19.03	637	20.82	663	22.64
17556	3800	424	9.89	464	11.73	501	13.56	534	15.38	565	17.2	594	19.03	622	20.87	649	22.75	674	24.64
18480	4000	442	11.33	481	13.26	516	15.19	549	17.11	579	19.02	608	20.93	635	22.86	661	24.81	686	26.79
19404	4200	460	12.91	498	14.93	532	16.95	564	18.97	593	20.98	621	22.99	648	25	674	27.03	698	29.08
20328	4400	478	14.64	515	16.75	548	18.87	579	20.99	608	23.09	635	25.19	662	27.29	687	29.41	711	31.53
21252	4600	496	16.52	532	18.72	564	20.94	594	23.15	623	25.36	650	27.55	675	29.75	700	31.94	724	34.15
22176	4800	514	18.56	549	20.86	581	23.17	610	25.48	638	27.78	664	30.08	689	32.36	714	34.65	737	36.94
23100	5000	533	20.77	566	23.17	597	25.57	626	27.97	653	30.37	679	32.76	704	35.15	728	37.52	750	39.91

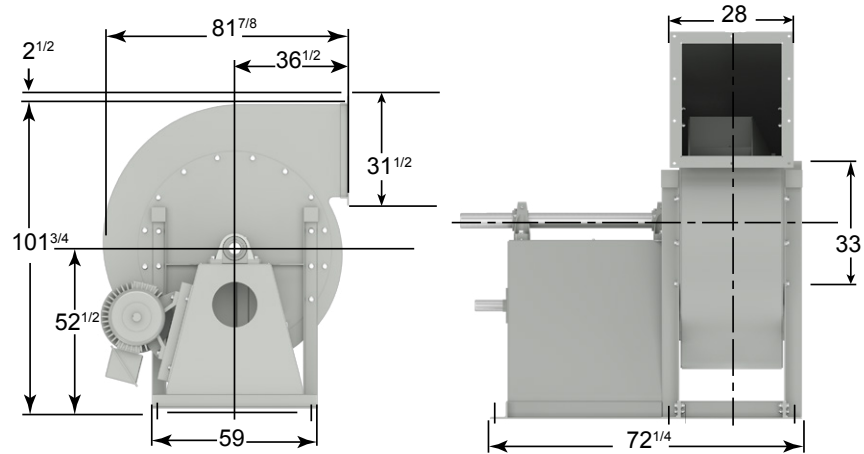
TYPE WT | 29 - 61

CFM	OV	5		5.5		6		6.5		7		7.5		8		8.5		9	
		RPM	BHP	RPM	BHP	RPM	BHP	RPM	BHP	RPM	BHP	RPM	BHP	RPM	BHP	RPM	BHP	RPM	BHP
6468	1400	592	8.52	619	9.46	645	10.43	670	11.41	694	12.43	718	13.46	740	14.51	762	15.59	784	16.68
7392	1600	598	9.56	625	10.57	650	11.6	675	12.65	699	13.71	722	14.8	744	15.91	766	17.04	787	18.19
8316	1800	604	10.65	631	11.75	656	12.86	680	13.99	704	15.13	727	16.28	749	17.45	770	18.64	791	19.85
9240	2000	611	11.81	638	12.98	663	14.18	687	15.39	710	16.61	733	17.85	755	19.11	776	20.37	797	21.65
10164	2200	619	13.04	645	14.3	670	15.58	694	16.87	717	18.17	739	19.49	761	20.83	782	22.17	802	23.53
11088	2400	628	14.37	653	15.71	678	17.06	701	18.43	724	19.81	746	21.21	768	22.63	789	24.05	809	25.49
12012	2600	636	15.79	662	17.2	686	18.64	709	20.08	732	21.55	754	23.03	775	24.52	796	26.03	816	27.55
12936	2800	646	17.3	671	18.8	695	20.31	718	21.84	740	23.39	762	24.94	783	26.52	803	28.1	823	29.7
13860	3000	656	18.92	680	20.5	704	22.1	727	23.71	749	25.33	770	26.97	791	28.62	812	30.29	831	31.96
14784	3200	666	20.66	690	22.32	714	23.99	736	25.68	758	27.39	779	29.11	800	30.84	820	32.59	840	34.34
15708	3400	677	22.51	701	24.26	724	26.02	746	27.79	768	29.57	789	31.37	809	33.18	829	35.01	848	36.85
16632	3600	687	24.47	711	26.32	734	28.17	756	30.02	778	31.88	799	33.76	819	35.65	838	37.56	858	39.48
17556	3800	699	26.56	722	28.49	745	30.43	767	32.38	788	34.33	809	36.29	829	38.26	848	40.25	867	42.24
18480	4000	710	28.78	733	30.8	756	32.83	778	34.87	799	36.91	819	38.96	839	41.02	858	43.08	877	45.16
19404	4200	722	31.15	745	33.25	767	35.36	789	37.49	809	39.62	830	41.77	849	43.92	868	46.07	887	48.22
20328	4400	734	33.68	757	35.86	779	38.05	800	40.26	820	42.48	840	44.71	860	46.95	879	49.2	897	51.45
21252	4600	747	36.38	769	38.63	790	40.9	811	43.18	832	45.49	851	47.8	871	50.13	890	52.47	908	54.81
22176	4800	759	39.25	781	41.57	802	43.92	823	46.28	843	48.66	863	51.06	882	53.47	901	55.89	919	58.32
23100	5000	773	42.3	794	44.7	815	47.12	835	49.56	855	52.02	874	54.49	893	56.99	912	59.49	930	62
24024	5200	786	45.53	807	48.01	828	50.51	848	53.02	867	55.56	886	58.11	905	60.68	923	63.26	941	65.86
24948	5400	800	48.94	820	51.51	841	54.09	860	56.69	880	59.29	898	61.92	917	64.56	935	67.23	953	69.9
25872	5600	814	52.56	834	55.21	854	57.88	873	60.55	892	63.24	911	65.94	929	68.65	947	71.39	964	74.14
26796	5800	828	56.37	848	59.11	868	61.86	887	64.62	905	67.39	924	70.16	942	72.96	959	75.76	976	78.59
27720	6000	842	60.38	862	63.22	881	66.06	900	68.9	919	71.75	937	74.61	954	77.48	972	80.36	989	83.26
28644	6200	857	64.6	876	67.53	895	70.46	914	73.39	932	76.33	950	79.27	967	82.22	984	85.18	1001	88.15
29568	6400	871	69.04	891	72.07	909	75.09	928	78.11	946	81.13	963	84.16	980	87.19	997	90.23	1014	93.28
30492	6600	886	73.7	905	76.82	924	79.94	942	83.05	960	86.16	977	89.27	994	92.39	1011	95.51	1027	98.64

CFM	OV	10		11		12		13		14		15		16		17		18	
		RPM	BHP	RPM	BHP	RPM	BHP	RPM	BHP	RPM	BHP	RPM	BHP	RPM	BHP	RPM	BHP	RPM	BHP
8316	1800	832	22.31	870	24.86	907	27.48	943	30.16	977	32.9	1010	35.69	1042	38.54	1073	41.45	1103	44.41
9240	2000	836	24.24	875	26.89	911	29.61	946	32.4	980	35.26	1013	38.18	1045	41.16	1076	44.19	1106	47.26
10164	2200	842	26.29	880	29.09	916	31.93	951	34.83	984	37.79	1017	40.81	1048	43.9	1079	47.05	1109	50.25
11088	2400	848	28.41	886	31.38	921	34.39	956	37.43	989	40.52	1021	43.66	1053	46.85	1083	50.1	1113	53.4
12012	2600	855	30.63	892	33.75	927	36.93	962	40.14	995	43.39	1027	46.68	1058	50	1088	53.37	1117	56.78
12936	2800	862	32.94	899	36.22	934	39.55	968	42.92	1001	46.35	1032	49.8	1063	53.29	1093	56.81	1122	60.36
13860	3000	869	35.36	906	38.8	941	42.29	975	45.82	1007	49.4	1039	53.01	1069	56.66	1099	60.35	1128	64.07
14784	3200	877	37.89	914	41.49	948	45.14	982	48.83	1014	52.56	1045	56.33	1076	60.14	1105	63.99	1134	67.87
15708	3400	886	40.56	922	44.31	956	48.11	989	51.96	1021	55.85	1052	59.78	1083	63.74	1112	67.75	1140	71.78
16632	3600	895	43.35	930	47.26	964	51.22	997	55.22	1029	59.27	1060	63.35	1090	67.47	1119	71.63	1147	75.83
17556	3800	904	46.27	939	50.35	973	54.47	1005	58.63	1037	62.83	1068	67.06	1097	71.34	1126	75.65	1154	80
18480	4000	913	49.34	948	53.58	982	57.86	1014	62.18	1045	66.53	1076	70.93	1105	75.36	1134	79.82	1162	84.33
19404	4200	923	52.57	958	56.96	991	61.4	1023	65.87	1054	70.39	1084	74.94	1113	79.53	1142	84.15	1170	88.8
20328	4400	933	55.96	967	60.5	1000	65.09	1032	69.73	1063	74.4	1093	79.11	1122	83.86	1150	88.64	1178	93.45
21252	4600	944	59.5	978	64.21	1010	68.96	1042	73.75	1072	78.58	1102	83.45	1131	88.35	1159	93.29	1186	98.26
22176	4800	954	63.2	988	68.1	1020	73	1052	77.95	1082	82.93	1111	87.96	1140	93.01	1168	98.11	1195	103.2
23100	5000	965	67.06	998	72.14	1031	77.23	1062	82.33	1092	87.47	1121	92.65	1149	97.86	1177	103.1	1204	108.4
24024	5200	976	71.08	1009	76.34	1041	81.61	1072	86.9	1102	92.2	1131	97.53	1159	102.9	1186	108.3	1213	113.7
24948	5400	987	75.29	1020	80.72	1052	86.17	1082	91.64	1112	97.12	1141	102.6	1169	108.1	1196	113.7	1222	119.3
25872	5600	998	79.69	1031	85.28	1062	90.9	1093	96.55	1122	102.2	1151	107.9	1179	113.6	1206	119.3	1232	125
26796	5800	1010	84.29	1042	90.04	1073	95.83	1104	101.7	1133	107.5	1161	113.3	1189	119.2	1216	125.1	1242	131
27720	6000	1022	89.11	1054	95.01	1085	101	1115	106.9	1144	113	1172	119	1199	125	1226	131.1	1252	137.2
28644	6200	1034	94.14	1065	100.2	1096	106.3	1126	112.5	1155	118.6	1183	124.8	1210	131.1	1237	137.3	1262	143.5
29568	6400	1046	99.42	1077	105.6	1108	111.9	1137	118.2	1166	124.5	1194	130.9	1221	137.3	1247	143.7	1273	150.1
30492	6600	1059	104.9	1090	111.3	1120	117.7	1149	124.1	1177	130.6	1205	137.2	1232	143.7	1258	150.3	1283	156.9

Performance certified is for Installation Type D: ducted inlet, ducted outlet. Performance ratings do not include the effects of appurtenances. Power rating (BHP) does not include transmission losses. Bold data shows fans maximum static efficiency.

TYPE WT | 33 - 61



CFM	OV	STATIC PRESSURE																	
		0.5		1		1.5		2		2.5		3		3.5		4		4.5	
		RPM	BHP	RPM	BHP	RPM	BHP	RPM	BHP	RPM	BHP	RPM	BHP	RPM	BHP	RPM	BHP	RPM	BHP
5990	1000	185	0.84	244	1.54	292	2.31	332	3.11	368	3.95	401	4.82	432	5.75	461	6.71	487	7.71
7188	1200	194	1.09	252	1.91	298	2.77	338	3.68	374	4.63	406	5.61	436	6.61	464	7.65	491	8.72
8386	1400	205	1.4	261	2.33	306	3.3	345	4.32	380	5.37	412	6.45	441	7.56	469	8.7	495	9.86
9584	1600	216	1.78	270	2.82	314	3.9	352	5.02	387	6.18	418	7.36	447	8.58	475	9.83	500	11.1
10782	1800	228	2.24	280	3.39	323	4.58	361	5.81	394	7.07	425	8.36	454	9.68	481	11.03	506	12.41
11980	2000	241	2.78	291	4.04	333	5.34	369	6.69	402	8.05	433	9.45	461	10.87	488	12.33	513	13.8
13178	2200	254	3.41	302	4.78	343	6.2	379	7.65	411	9.13	441	10.63	469	12.17	495	13.72	520	15.31
14376	2400	268	4.14	314	5.64	353	7.15	389	8.72	421	10.32	450	11.93	477	13.57	503	15.23	528	16.92
15574	2600	282	4.98	326	6.6	364	8.23	399	9.9	430	11.61	459	13.34	486	15.09	512	16.86	536	18.65
16772	2800	297	5.94	339	7.69	376	9.43	409	11.2	440	13.02	469	14.87	495	16.73	521	18.61	545	20.51
17970	3000	311	7.02	352	8.9	388	10.77	421	12.65	451	14.56	479	16.52	505	18.5	530	20.5	553	22.51
19168	3200	326	8.24	366	10.25	401	12.24	432	14.24	461	16.25	489	18.31	515	20.4	539	22.52	563	24.65
20366	3400	342	9.61	380	11.74	413	13.86	444	15.98	473	18.1	500	20.26	525	22.45	549	24.68	572	26.93
21564	3600	357	11.14	394	13.39	426	15.64	456	17.88	484	20.11	511	22.37	536	24.67	559	27	582	29.35
22762	3800	372	12.83	408	15.2	440	17.58	469	19.94	496	22.3	522	24.67	546	27.06	570	29.49	592	31.95
23960	4000	388	14.69	422	17.19	453	19.69	482	22.18	509	24.66	534	27.14	558	29.64	581	32.17	603	34.73
25158	4200	404	16.74	437	19.36	467	21.98	495	24.6	521	27.2	546	29.8	569	32.41	592	35.04	613	37.7
26356	4400	420	18.98	452	21.72	481	24.46	508	27.21	534	29.94	558	32.66	581	35.39	603	38.12	624	40.88
27554	4600	436	21.41	467	24.28	495	27.15	522	30.02	547	32.87	571	35.72	593	38.56	615	41.41	636	44.28
28752	4800	452	24.06	482	27.04	510	30.04	536	33.03	560	36.02	583	38.99	606	41.95	627	44.92	647	47.89
29950	5000	468	26.93	497	30.03	525	33.15	550	36.27	574	39.38	596	42.48	618	45.57	639	48.65	659	51.74

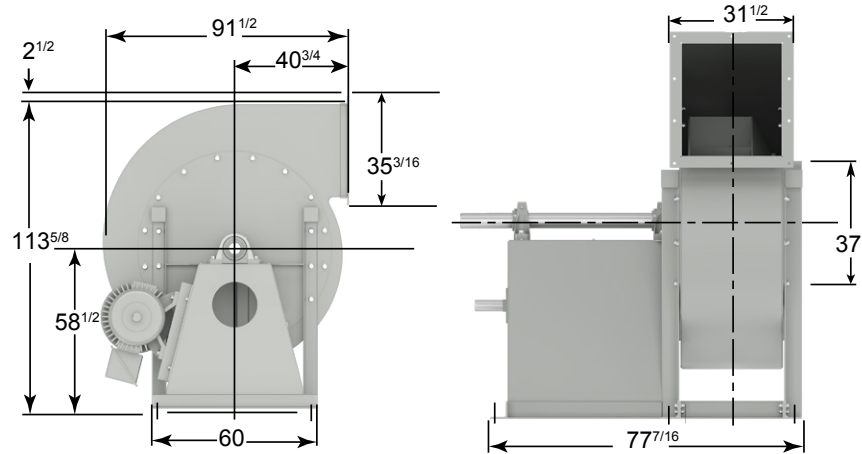
TYPE WT | 33 - 61

CFM	OV	5		5.5		6		6.5		7		7.5		8		8.5		9	
		RPM	BHP	RPM	BHP	RPM	BHP	RPM	BHP	RPM	BHP	RPM	BHP	RPM	BHP	RPM	BHP	RPM	BHP
8386	1400	520	11.05	544	12.27	567	13.52	589	14.8	610	16.11	630	17.45	650	18.82	670	20.21	688	21.62
9584	1600	525	12.39	549	13.71	571	15.04	593	16.4	614	17.78	634	19.19	654	20.63	673	22.09	691	23.59
10782	1800	531	13.81	554	15.23	576	16.67	598	18.13	618	19.61	638	21.11	658	22.63	677	24.17	695	25.73
11980	2000	537	15.31	560	16.83	582	18.38	603	19.95	624	21.54	644	23.15	663	24.77	681	26.41	700	28.06
13178	2200	544	16.91	567	18.54	588	20.19	609	21.86	630	23.56	649	25.27	668	27	687	28.75	705	30.51
14376	2400	551	18.63	574	20.36	595	22.11	616	23.89	636	25.69	655	27.5	674	29.33	693	31.18	710	33.05
15574	2600	559	20.46	581	22.3	602	24.16	623	26.04	643	27.94	662	29.85	681	31.79	699	33.74	717	35.71
16772	2800	567	22.43	589	24.37	610	26.33	630	28.32	650	30.32	669	32.34	688	34.38	706	36.43	723	38.5
17970	3000	576	24.53	598	26.58	618	28.65	638	30.73	658	32.84	677	34.96	695	37.11	713	39.26	730	41.44
19168	3200	585	26.79	606	28.94	627	31.11	647	33.3	666	35.51	684	37.74	703	39.98	720	42.25	737	44.53
20366	3400	594	29.19	615	31.45	636	33.73	655	36.02	674	38.34	693	40.67	711	43.02	728	45.39	745	47.77
21564	3600	604	31.73	625	34.12	645	36.52	664	38.92	683	41.34	701	43.77	719	46.22	736	48.69	753	51.18
22762	3800	614	34.44	634	36.94	654	39.45	673	41.98	692	44.51	710	47.05	728	49.61	745	52.18	762	54.77
23960	4000	624	37.32	644	39.93	664	42.56	683	45.2	701	47.86	719	50.52	737	53.18	754	55.85	770	58.54
25158	4200	634	40.39	654	43.11	674	45.85	693	48.6	711	51.37	729	54.15	746	56.93	763	59.73	779	62.52
26356	4400	645	43.67	665	46.49	684	49.33	702	52.19	720	55.07	738	57.96	755	60.87	772	63.78	788	66.7
27554	4600	656	47.16	675	50.08	694	53.02	713	55.99	730	58.97	748	61.98	765	64.99	781	68.02	797	71.06
28752	4800	667	50.88	686	53.9	705	56.93	723	60	741	63.09	758	66.2	775	69.32	791	72.46	807	75.61
29950	5000	679	54.83	697	57.95	716	61.09	734	64.25	751	67.44	768	70.65	785	73.88	801	77.12	817	80.39
31148	5200	690	59.02	709	62.24	727	65.48	745	68.74	762	72.03	778	75.33	795	78.67	811	82.02	827	85.38
32346	5400	702	63.45	721	66.79	738	70.13	756	73.49	773	76.87	789	80.28	805	83.7	821	87.16	837	90.63
33544	5600	715	68.13	733	71.58	750	75.03	767	78.5	784	81.98	800	85.48	816	89.01	832	92.55	847	96.12
34742	5800	727	73.07	745	76.64	762	80.2	779	83.77	795	87.36	811	90.96	827	94.58	842	98.22	857	101.9
35940	6000	740	78.28	757	81.96	774	85.64	791	89.32	807	93.02	823	96.72	838	100.4	853	104.2	868	107.9
37138	6200	752	83.75	769	87.55	786	91.35	803	95.15	819	98.95	834	102.8	850	106.6	865	110.4	879	114.3
38336	6400	765	89.51	782	93.43	799	97.35	815	101.3	831	105.2	846	109.1	861	113	876	117	890	120.9
39534	6600	778	95.55	795	99.6	811	103.6	827	107.7	843	111.7	858	115.7	873	119.8	888	123.8	902	127.9

CFM	OV	10		11		12		13		14		15		16		17		18	
		RPM	BHP	RPM	BHP	RPM	BHP	RPM	BHP	RPM	BHP	RPM	BHP	RPM	BHP	RPM	BHP	RPM	BHP
10782	1800	730	28.93	764	32.22	797	35.62	828	39.1	858	42.65	887	46.27	915	49.97	942	53.74	968	57.57
11980	2000	735	31.42	768	34.86	800	38.39	831	42	861	45.71	890	49.5	918	53.36	945	57.28	971	61.28
13178	2200	739	34.08	773	37.71	804	41.4	835	45.16	865	49	893	52.91	921	56.91	948	60.99	974	65.15
14376	2400	745	36.84	778	40.68	809	44.58	840	48.53	869	52.53	897	56.6	925	60.74	951	64.95	977	69.23
15574	2600	751	39.7	783	43.76	815	47.87	845	52.04	874	56.25	902	60.51	929	64.82	955	69.19	981	73.62
16772	2800	757	42.7	789	46.96	820	51.28	850	55.66	879	60.08	907	64.56	934	69.08	960	73.65	986	78.25
17970	3000	764	45.84	796	50.3	826	54.82	856	59.41	885	64.04	912	68.73	939	73.46	965	78.24	990	83.06
19168	3200	771	49.13	802	53.79	833	58.52	862	63.3	891	68.14	918	73.03	945	77.97	971	82.96	996	87.99
20366	3400	778	52.58	809	57.45	840	62.38	869	67.36	897	72.4	924	77.5	951	82.64	976	87.83	1002	93.06
21564	3600	786	56.2	817	61.28	847	66.41	876	71.59	904	76.83	931	82.13	957	87.47	983	92.86	1007	98.3
22762	3800	794	59.99	825	65.28	854	70.62	883	76.01	911	81.45	938	86.94	964	92.49	989	98.08	1014	103.7
23960	4000	802	63.97	833	69.46	862	75.01	891	80.61	918	86.26	945	91.95	971	97.69	996	103.5	1020	109.3
25158	4200	811	68.15	841	73.85	870	79.6	898	85.4	926	91.26	952	97.16	978	103.1	1003	109.1	1027	115.1
26356	4400	820	72.54	850	78.44	879	84.39	907	90.4	934	96.46	960	102.6	985	108.7	1010	114.9	1034	121.1
27554	4600	829	77.14	859	83.25	887	89.4	915	95.61	942	101.9	968	108.2	993	114.5	1018	120.9	1042	127.4
28752	4800	838	81.94	868	88.28	896	94.65	924	101.1	950	107.5	976	114	1001	120.6	1025	127.2	1049	133.8
29950	5000	847	86.94	877	93.52	905	100.1	932	106.7	959	113.4	984	120.1	1009	126.9	1034	133.7	1057	140.5
31148	5200	857	92.16	886	98.97	914	105.8	941	112.7	968	119.5	993	126.4	1018	133.4	1042	140.4	1065	147.4
32346	5400	867	97.61	896	104.6	924	111.7	951	118.8	977	125.9	1002	133	1026	140.2	1050	147.4	1074	154.6
33544	5600	877	103.3	905	110.6	933	117.9	960	125.2	986	132.5	1011	139.9	1035	147.2	1059	154.5	1082	162.1
34742	5800	887	109.3	915	116.7	943	124.2	969	131.8	995	139.4	1020	146.9	1044	154.6	1068	152.2	1091	169.8
35940	6000	897	115.5	925	123.2	953	130.9	979	138.7	1004	146.4	1029	154.3	1053	162.1	1077	170	1100	177.8
37138	6200	908	122.1	936	129.9	963	137.8	989	145.8	1014	153.8	1039	161.8	1063	169.9	1086	178	1109	186.1
38336	6400	919	128.9	946	136.9	973	145	999	153.2	1024	161.4	1048	169.7	1072	178	1095	186.3	1118	194.6
39534	6600	930	136	957	144.3	983	152.6	1009	160.9	1034	169.4	1058	177.8	1082	186.3	1105	194.9	1127	203.4

Performance certified is for Installation Type D: ducted inlet, ducted outlet. Performance ratings do not include the effects of appurtenances. Power rating (BHP) does not include transmission losses. Bold data shows fans maximum static efficiency.

TYPE WT | 37 - 61



CFM	OV	STATIC PRESSURE																	
		0.5		1		1.5		2		2.5		3		3.5		4		4.5	
		RPM	BHP	RPM	BHP	RPM	BHP	RPM	BHP	RPM	BHP	RPM	BHP	RPM	BHP	RPM	BHP	RPM	BHP
7510	1000	165	1.05	218	1.94	260	2.89	297	3.9	329	4.95	358	6.05	386	7.2	411	8.41	435	9.66
9012	1200	174	1.37	225	2.39	266	3.48	302	4.62	334	5.8	363	7.03	389	8.28	415	9.58	438	10.93
10514	1400	183	1.76	233	2.92	273	4.14	308	5.41	339	6.73	368	8.09	394	9.48	419	10.91	442	12.36
12016	1600	193	2.23	241	3.54	281	4.89	315	6.3	345	7.74	373	9.23	399	10.76	424	12.32	447	13.91
13518	1800	204	2.81	250	4.24	289	5.75	322	7.28	352	8.86	380	10.48	405	12.14	430	13.83	452	15.55
15020	2000	215	3.48	260	5.06	297	6.7	330	8.38	359	10.09	387	11.84	412	13.63	436	15.45	458	17.3
16522	2200	227	4.27	270	6	306	7.77	338	9.59	367	11.45	394	13.33	419	15.25	442	17.2	465	19.19
18024	2400	240	5.19	280	7.07	316	8.97	347	10.93	376	12.93	402	14.96	426	17.01	450	19.09	471	21.21
19526	2600	252	6.24	291	8.28	326	10.32	356	12.41	384	14.55	410	16.72	434	18.91	457	21.13	479	23.37
21028	2800	265	7.44	303	9.64	336	11.82	366	14.04	393	16.32	419	18.64	443	20.98	465	23.33	486	25.71
22530	3000	278	8.8	315	11.16	347	13.5	376	15.85	402	18.25	428	20.7	451	23.19	473	25.7	494	28.21
24032	3200	292	10.33	327	12.85	358	15.34	386	17.84	412	20.37	437	22.95	460	25.57	482	28.23	503	30.9
25534	3400	305	12.05	339	14.72	369	17.38	397	20.02	422	22.69	446	25.39	469	28.14	491	30.93	511	33.75
27036	3600	319	13.96	352	16.78	381	19.6	408	22.41	433	25.21	456	28.05	478	30.92	500	33.84	520	36.79
28538	3800	333	16.08	364	19.06	393	22.03	419	24.99	443	27.95	466	30.92	488	33.92	509	36.96	529	40.05
30040	4000	347	18.41	377	21.54	405	24.68	430	27.8	454	30.91	477	34.02	498	37.15	519	40.32	538	43.53
31542	4200	361	20.98	390	24.26	417	27.55	442	30.83	465	34.1	487	37.36	508	40.63	528	43.92	548	47.26
33044	4400	375	23.78	404	27.22	430	30.66	454	34.1	477	37.53	498	40.94	519	44.35	539	47.78	558	51.24
34546	4600	389	26.84	417	30.43	443	34.03	466	37.62	488	41.21	510	44.77	530	48.34	549	51.91	568	55.5
36048	4800	404	30.16	431	33.9	455	37.65	478	41.4	500	45.15	521	48.87	541	52.59	560	56.3	578	60.03
37550	5000	418	33.76	444	37.64	468	41.55	491	45.46	512	49.36	533	53.24	552	57.11	571	60.98	589	64.85

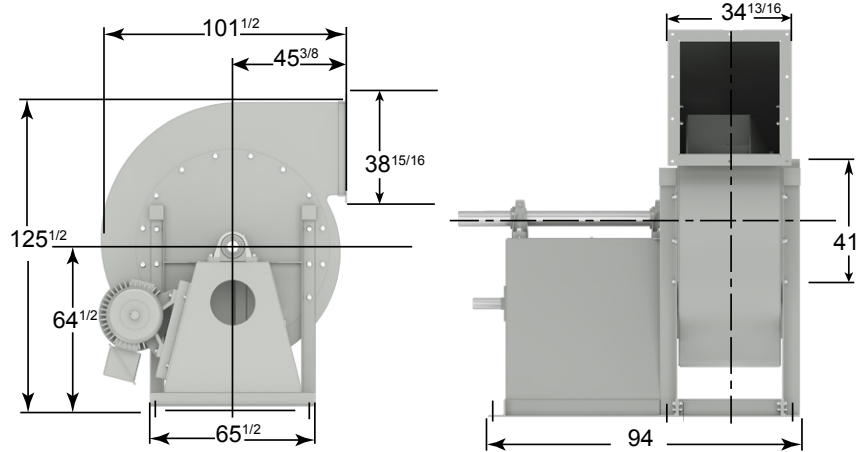
TYPE WT | 37 - 61

CFM	OV	5		5.5		6		6.5		7		7.5		8		8.5		9	
		RPM	BHP	RPM	BHP	RPM	BHP	RPM	BHP	RPM	BHP	RPM	BHP	RPM	BHP	RPM	BHP	RPM	BHP
10514	1400	465	13.85	486	15.38	506	16.94	526	18.55	545	20.19	563	21.87	581	23.59	598	25.33	615	27.1
12016	1600	469	15.53	490	17.18	510	18.85	529	20.55	548	22.29	566	24.05	584	25.85	601	27.69	617	29.57
13518	1800	474	17.3	495	19.09	515	20.9	534	22.73	552	24.58	570	26.46	588	28.36	604	30.29	621	32.25
15020	2000	480	19.19	500	21.1	520	23.04	539	25.01	557	27	575	29.01	592	31.05	609	33.1	625	35.17
16522	2200	486	21.2	506	23.24	526	25.31	544	27.41	562	29.53	580	31.67	597	33.84	613	36.03	630	38.24
18024	2400	492	23.35	512	25.52	532	27.72	550	29.94	568	32.19	585	34.47	602	36.77	619	39.09	635	41.43
19526	2600	499	25.65	519	27.95	538	30.28	556	32.64	574	35.01	591	37.42	608	39.84	624	42.29	640	44.76
21028	2800	507	28.11	526	30.55	545	33.01	563	35.49	581	38	598	40.53	614	43.09	630	45.66	646	48.26
22530	3000	514	30.75	534	33.31	552	35.91	570	38.52	588	41.16	604	43.83	621	46.51	637	49.21	652	51.94
24032	3200	523	33.58	542	36.27	560	38.99	578	41.74	595	44.51	611	47.3	628	50.12	643	52.95	659	55.81
25534	3400	531	36.58	550	39.43	568	42.28	585	45.15	602	48.05	619	50.98	635	53.92	650	56.89	666	59.87
27036	3600	539	39.77	558	42.76	576	45.77	593	48.78	610	51.81	626	54.86	642	57.94	658	61.03	673	64.15
28538	3800	548	43.16	567	46.3	584	49.45	602	52.62	618	55.79	634	58.97	650	62.18	665	65.4	680	68.64
30040	4000	557	46.78	575	50.05	593	53.35	610	56.66	626	59.98	642	63.32	658	66.66	673	70.01	688	73.38
31542	4200	566	50.63	584	54.03	602	57.46	619	60.92	635	64.39	651	67.87	666	71.36	681	74.86	696	78.37
33044	4400	576	54.73	594	58.27	611	61.83	627	65.42	644	69.03	659	72.65	675	76.29	689	79.94	704	83.6
34546	4600	586	59.12	603	62.77	620	66.46	636	70.17	652	73.92	668	77.68	683	81.46	698	85.26	712	89.06
36048	4800	596	63.78	613	67.55	630	71.36	646	75.21	661	79.08	677	82.98	692	86.89	706	90.83	721	94.78
37550	5000	606	68.73	623	72.64	639	76.57	655	80.53	671	84.53	686	88.55	701	92.6	715	96.67	729	100.8
39052	5200	617	73.98	633	78.02	649	82.08	665	86.16	680	90.28	695	94.43	710	98.6	724	102.8	738	107
40554	5400	627	79.53	644	83.71	660	87.9	675	92.12	690	96.35	705	100.6	719	104.9	733	109.2	747	113.6
42056	5600	638	85.4	654	89.72	670	94.05	685	98.39	700	102.8	715	107.1	729	111.6	743	116	756	120.5
43558	5800	649	91.59	665	96.06	681	100.5	696	105	710	109.5	725	114	739	118.6	752	123.1	766	127.7
45060	6000	661	98.12	676	102.7	691	107.3	706	112	721	116.6	735	121.2	749	125.9	762	130.6	776	135.3
46562	6200	672	105	687	109.7	702	114.5	717	119.3	731	124	745	128.8	759	133.6	772	138.4	785	143.2
48064	6400	683	112.2	699	117.1	713	122	728	126.9	742	131.8	756	136.8	769	141.7	782	146.6	795	151.6
49566	6600	695	119.8	710	124.8	725	129.9	739	135	753	140	766	145.1	780	150.1	793	155.2	806	160.3

CFM	OV	10		11		12		13		14		15		16		17		18	
		RPM	BHP	RPM	BHP	RPM	BHP	RPM	BHP	RPM	BHP	RPM	BHP	RPM	BHP	RPM	BHP	RPM	BHP
13518	1800	652	36.26	683	40.39	712	44.65	739	49.01	766	53.46	792	58	817	62.63	841	67.35	865	72.16
15020	2000	656	39.39	686	43.7	715	48.12	742	52.65	769	57.3	795	62.04	820	66.88	844	71.8	867	76.8
16522	2200	661	42.72	690	47.26	718	51.89	746	56.6	772	61.41	798	66.32	822	71.33	846	76.45	870	81.66
18024	2400	665	46.17	695	50.99	723	55.88	750	60.83	776	65.85	801	70.95	826	76.13	850	81.41	873	86.77
19526	2600	671	49.77	700	54.85	728	60	754	65.23	780	70.51	805	75.85	830	81.25	853	86.72	876	92.27
21028	2800	676	53.52	705	58.86	733	64.28	759	69.76	785	75.31	810	80.93	834	86.59	857	92.31	880	98.08
22530	3000	682	57.45	711	63.05	738	68.72	765	74.46	790	80.27	815	86.14	839	92.08	862	98.07	885	104.1
24032	3200	688	61.58	717	67.43	744	73.35	770	79.35	796	85.41	820	91.54	844	97.73	867	104	889	110.3
25534	3400	695	65.91	723	72.01	750	78.18	776	84.43	801	90.75	826	97.13	849	103.6	872	110.1	895	116.7
27036	3600	702	70.44	730	76.8	756	83.24	782	89.74	807	96.31	831	102.9	855	109.6	878	116.4	900	123.2
28538	3800	709	75.19	737	81.82	763	88.51	789	95.27	814	102.1	838	109	861	115.9	883	122.9	906	130
30040	4000	716	80.18	744	87.07	770	94.02	795	101	820	108.1	844	115.3	867	122.5	889	129.7	911	137
31542	4200	724	85.42	751	92.56	777	99.77	802	107	827	114.4	850	121.8	873	129.2	896	136.7	917	144.3
33044	4400	732	90.93	759	98.32	785	105.3	810	113.3	834	120.9	857	128.6	880	136.3	902	144	924	151.9
34546	4600	740	96.69	767	104.3	792	112.1	817	119.8	841	127.7	864	135.6	887	143.6	909	151.6	930	159.7
36048	4800	748	102.7	775	110.7	800	118.6	825	126.7	849	134.8	872	142.9	894	151.1	916	159.4	937	167.8
37550	5000	757	109	783	117.2	808	125.5	833	133.8	856	142.1	879	150.5	901	159	923	167.6	944	176.1
39052	5200	765	115.5	791	124.1	817	132.6	841	141.2	864	149.8	887	158.5	909	167.2	931	176	951	184.8
40554	5400	774	122.3	800	131.2	825	140	849	148.9	872	157.8	895	166.7	917	175.7	938	184.7	959	193.8
42056	5600	783	129.5	809	138.6	833	147.7	857	156.9	880	166.1	903	175.3	925	184.5	946	193.8	967	203.2
43558	5800	792	137	818	146.3	842	155.7	866	165.2	889	174.7	911	184.2	933	193.7	954	203.3	974	212.8
45060	6000	802	144.8	827	154.4	851	164.1	874	173.8	897	183.6	919	193.4	941	203.2	962	213	982	222.9
46562	6200	811	153	836	162.8	860	172.7	883	182.7	906	192.8	928	202.9	949	213	970	223.1	990	233.2
48064	6400	821	161.6	845	171.6	869	181.8	892	192	915	202.4	936	212.7	958	223.1	978	233.5	998	243.9
49566	6600	831	170.5	855	180.8	878	191.2	901	201.7	923	212.3	945	222.9	966	233.6	987	244.3	1007	255

Performance certified is for Installation Type D: ducted inlet, ducted outlet. Performance ratings do not include the effects of appurtenances. Power rating (BHP) does not include transmission losses. Bold data shows fans maximum static efficiency.

TYPE WT | 41 - 61



CFM	OV	STATIC PRESSURE																	
		0.5		1		1.5		2		2.5		3		3.5		4		4.5	
		RPM	BHP	RPM	BHP	RPM	BHP	RPM	BHP	RPM	BHP	RPM	BHP	RPM	BHP	RPM	BHP	RPM	BHP
9200	1000	149	1.29	197	2.37	235	3.54	268	4.77	297	6.06	324	7.41	349	8.82	372	10.3	393	11.84
11040	1200	157	1.68	203	2.93	241	4.26	273	5.65	301	7.11	328	8.61	352	10.15	375	11.74	396	13.39
12880	1400	165	2.15	210	3.58	247	5.07	278	6.63	306	8.24	332	9.9	356	11.61	378	13.36	400	15.15
14720	1600	175	2.74	218	4.34	253	6	284	7.71	312	9.49	337	11.31	361	13.18	383	15.09	404	17.04
16560	1800	184	3.44	226	5.2	261	7.04	291	8.92	318	10.85	343	12.84	366	14.87	388	16.94	409	19.05
18400	2000	195	4.27	235	6.2	268	8.21	298	10.27	325	12.36	349	14.51	372	16.7	394	18.93	414	21.2
20240	2200	205	5.23	244	7.34	277	9.51	306	11.75	332	14.02	356	16.33	379	18.68	400	21.07	420	23.5
22080	2400	216	6.35	253	8.65	285	10.98	314	13.39	339	15.84	363	18.32	385	20.83	406	23.38	426	25.98
23920	2600	228	7.64	263	10.14	294	12.64	322	15.2	347	17.83	371	20.49	392	23.17	413	25.88	433	28.63
25760	2800	239	9.11	274	11.8	304	14.48	330	17.2	355	19.99	378	22.83	400	25.7	420	28.58	439	31.49
27600	3000	251	10.78	284	13.67	313	16.53	339	19.42	364	22.36	386	25.36	408	28.41	428	31.48	447	34.56
29440	3200	263	12.66	295	15.74	323	18.8	349	21.86	372	24.96	395	28.12	415	31.33	435	34.58	454	37.85
31280	3400	276	14.76	306	18.03	334	21.29	358	24.53	381	27.79	402	31.11	424	34.48	443	37.89	462	41.34
33120	3600	288	17.1	318	20.56	344	24.01	368	27.45	391	30.88	412	34.36	432	37.88	451	41.45	470	45.07
34960	3800	300	19.69	329	23.34	355	26.99	378	30.62	401	34.24	421	37.87	441	41.55	460	45.28	478	49.06
36800	4000	313	22.56	341	26.39	366	30.23	389	34.06	410	37.86	431	41.67	450	45.51	469	49.39	486	53.32
38640	4200	326	25.7	353	29.72	377	33.75	399	37.77	421	41.77	440	45.76	459	49.77	477	53.81	495	57.89
40480	4400	339	29.14	365	33.34	388	37.56	410	41.78	431	45.97	450	50.15	469	54.33	487	58.54	504	62.77
42320	4600	352	32.88	377	37.27	400	41.68	421	46.09	441	50.48	460	54.85	479	59.21	496	63.59	513	67.99
44160	4800	365	36.95	389	41.53	411	46.12	432	50.72	452	55.3	471	59.87	489	64.42	506	68.97	522	73.54
46000	5000	378	41.35	401	46.11	423	50.9	444	55.68	463	60.46	481	65.22	499	69.96	516	74.7	532	79.44

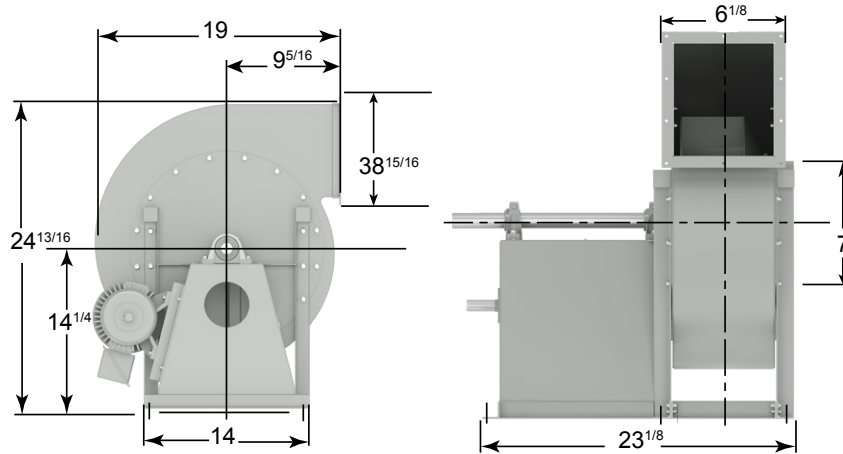
TYPE WT | 41 - 61

CFM	OV	5		5.5		6		6.5		7		7.5		8		8.5		9	
		RPM	BHP	RPM	BHP	RPM	BHP	RPM	BHP	RPM	BHP	RPM	BHP	RPM	BHP	RPM	BHP	RPM	BHP
12880	1400	420	16.97	439	18.84	457	20.75	475	22.72	492	24.74	509	26.79	525	28.89	540	31.03	555	33.2
14720	1600	424	19.03	443	21.05	461	23.09	478	25.18	495	27.3	512	29.46	527	31.67	543	33.92	558	36.22
16560	1800	428	21.2	447	23.38	465	25.6	482	27.84	499	30.11	515	32.41	531	34.74	546	37.11	561	39.51
18400	2000	433	23.5	452	25.85	470	28.22	487	30.63	503	33.07	519	35.54	535	38.03	550	40.55	565	43.09
20240	2200	439	25.97	457	28.47	475	31	492	33.57	508	36.17	524	38.8	539	41.45	554	44.14	569	46.85
22080	2400	445	28.6	463	31.26	480	33.96	497	36.68	513	39.44	529	42.22	544	45.04	559	47.88	573	50.75
23920	2600	451	31.42	469	34.24	486	37.1	503	39.98	519	42.89	534	45.84	549	48.81	564	51.81	578	54.83
25760	2800	458	34.44	475	37.42	492	40.44	509	43.48	525	46.55	540	49.65	555	52.78	569	55.94	584	59.12
27600	3000	465	37.67	482	40.81	499	43.98	515	47.19	531	50.42	546	53.69	561	56.97	575	60.29	589	63.63
29440	3200	472	41.13	489	44.43	506	47.76	522	51.13	537	54.52	552	57.94	567	61.39	581	64.87	595	68.37
31280	3400	480	44.81	497	48.3	513	51.79	529	55.31	544	58.86	559	62.44	574	66.05	588	69.69	601	73.35
33120	3600	487	48.72	504	52.39	520	56.07	536	59.76	551	63.47	566	67.21	580	70.97	594	74.76	608	78.58
34960	3800	495	52.87	512	56.72	528	60.58	544	64.46	559	68.35	573	72.24	587	76.17	601	80.11	615	84.09
36800	4000	503	57.3	520	61.31	536	65.35	551	69.41	566	73.48	580	77.56	595	81.65	608	85.76	622	89.89
38640	4200	512	62.02	528	66.19	544	70.39	559	74.63	574	78.88	588	83.14	602	87.42	616	91.71	629	96
40480	4400	520	67.05	536	71.38	552	75.74	567	80.14	581	84.56	596	89	609	93.46	623	97.93	636	102.4
42320	4600	529	72.42	545	76.89	560	81.41	575	85.96	589	90.55	604	95.16	617	99.79	631	104.4	644	109.1
44160	4800	538	78.13	554	82.75	569	87.42	583	92.13	598	96.87	612	101.6	625	106.4	638	111.3	651	116.1
46000	5000	548	84.2	563	88.98	578	93.79	592	98.65	606	103.5	620	108.5	633	113.4	646	118.4	659	123.4
47840	5200	557	90.63	572	95.57	587	100.5	601	105.5	615	110.6	628	115.7	641	120.8	654	125.9	667	131.1
49680	5400	567	97.43	582	102.5	596	107.7	610	112.8	623	118	637	123.3	650	128.5	663	133.8	675	139.1
51520	5600	577	104.6	591	109.9	605	115.2	619	120.5	633	125.9	646	131.3	659	136.7	671	142.1	684	147.6
53360	5800	587	112.2	601	117.7	615	123.1	628	128.6	642	134.1	655	139.7	667	145.2	680	150.8	692	156.4
55200	6000	597	120.2	611	125.8	625	131.5	638	137.1	651	142.8	664	148.5	676	154.2	689	160	701	165.7
57040	6200	607	128.6	621	134.4	635	140.3	648	146.1	661	151.9	673	157.8	686	163.7	698	169.6	710	175.5
58880	6400	618	137.4	631	143.5	645	149.5	658	155.5	670	161.5	683	167.5	695	173.6	707	179.6	719	185.7
60720	6600	628	146.7	642	152.9	655	159.1	668	165.3	680	171.5	692	177.7	704	183.9	716	190.1	728	196.4

CFM	OV	10		11		12		13		14		15		16		17		18	
		RPM	BHP	RPM	BHP	RPM	BHP	RPM	BHP	RPM	BHP	RPM	BHP	RPM	BHP	RPM	BHP	RPM	BHP
16560	1800	590	44.41	617	49.48	643	54.7	668	60.03	692	65.49	716	71.05	738	76.73	760	82.51	782	88.4
18400	2000	593	48.25	620	53.53	646	58.94	671	64.49	695	70.19	718	76	741	81.93	762	87.96	784	94.09
20240	2200	597	52.33	624	57.9	649	63.56	674	69.34	698	75.23	721	81.24	743	87.38	765	93.65	786	100
22080	2400	601	56.56	628	62.47	653	68.45	678	74.51	701	80.66	724	86.91	746	93.26	768	99.72	789	106.3
23920	2600	606	60.96	632	67.19	657	73.5	682	79.91	705	86.37	728	92.91	750	99.53	771	106.2	792	113
25760	2800	611	65.56	637	72.1	662	78.74	686	85.46	709	92.26	732	99.13	754	106.1	775	113.1	795	120.2
27600	3000	616	70.38	642	77.23	667	84.18	691	91.21	714	98.33	736	105.5	758	112.8	779	120.1	799	127.5
29440	3200	622	75.43	648	82.6	672	89.85	696	97.2	719	104.6	741	112.1	762	119.7	783	127.4	804	135.1
31280	3400	628	80.73	653	88.21	678	95.78	701	103.4	724	111.2	746	119	767	126.9	788	134.9	808	142.9
33120	3600	634	86.29	659	94.09	683	102	707	109.9	729	118	751	126.1	772	134.3	793	142.6	813	150.9
34960	3800	641	92.11	665	100.2	689	108.4	713	116.7	735	125.1	757	133.5	778	142	798	150.6	818	159.3
36800	4000	647	98.23	672	106.7	696	115.2	719	123.8	741	132.4	762	141.2	783	150	804	158.9	823	167.9
38640	4200	654	104.6	679	113.4	702	122.2	725	131.1	747	140.1	768	149.2	789	158.3	809	167.5	829	176.8
40480	4400	661	111.4	686	120.4	709	129.6	732	138.8	753	148.1	775	157.5	795	166.9	815	176.4	835	186
42320	4600	669	118.4	693	127.8	716	137.3	738	146.8	760	156.4	781	166.1	801	175.9	821	185.7	841	195.6
44160	4800	676	125.8	700	135.6	723	145.3	745	155.2	767	165.1	788	175.1	808	185.2	828	195.3	847	205.5
46000	5000	684	133.5	708	143.6	730	153.7	752	163.9	774	174.1	794	184.4	815	194.8	834	205.2	853	215.8
47840	5200	692	141.5	715	152	738	162.5	760	173	781	183.5	801	194.1	821	204.8	841	215.6	860	226.4
49680	5400	699	149.9	723	160.7	745	171.5	767	182.4	788	193.3	809	204.3	828	215.2	848	226.3	866	237.4
51520	5600	708	158.6	731	169.8	753	181	775	192.2	796	203.5	816	214.8	835	226.1	855	237.4	873	248.9
53360	5800	716	167.8	739	179.2	761	190.8	782	202.3	803	214	823	225.6	843	237.3	862	249	880	260.7
55200	6000	724	177.4	747	189.1	769	201	790	212.9	811	224.9	831	236.9	850	248.9	869	261	887	273
57040	6200	733	187.4	755	199.5	777	211.6	798	223.9	818	236.2	838	248.5	858	260.9	876	273.3	895	285.7
58880	6400	742	197.9	764	210.2	785	222.7	806	235.3	826	247.9	846	260.6	865	273.3	887	286	902	298.8
60720	6600	750	208.9	772	221.5	794	234.3	814	247.1	834	260	854	273.1	873	286.1	891	299.2	910	312.3

Performance certified is for Installation Type D: ducted inlet, ducted outlet. Performance ratings do not include the effects of appurtenances. Power rating (BHP) does not include transmission losses. Bold data shows fans maximum static efficiency.

TYPE AH | 07 - 61



CFM	OV	STATIC PRESSURE																	
		0.5		1		1.5		2		2.5		3		3.5		4		4.5	
		RPM	BHP	RPM	BHP	RPM	BHP	RPM	BHP	RPM	BHP	RPM	BHP	RPM	BHP	RPM	BHP	RPM	BHP
270	1000	847	0.04	1109	0.07	1336	0.11	1537	0.15	1717	0.2	1880	0.24	2030	0.29	2169	0.35	-	-
324	1200	902	0.05	1146	0.09	1354	0.13	1545	0.17	1720	0.22	1882	0.27	2031	0.33	2171	0.38	2301	0.44
378	1400	962	0.06	1194	0.1	1389	0.15	1565	0.2	1731	0.25	1887	0.31	2034	0.36	2172	0.42	2303	0.49
432	1600	1024	0.08	1247	0.12	1433	0.17	1601	0.23	1755	0.28	1902	0.34	2043	0.4	2178	0.47	2306	0.53
486	1800	1087	0.09	1305	0.15	1484	0.2	1643	0.26	1791	0.32	1930	0.38	2062	0.44	2191	0.51	2315	0.58
540	2000	1152	0.11	1366	0.18	1538	0.24	1692	0.3	1834	0.36	1968	0.42	2094	0.49	2215	0.56	2332	0.64
594	2200	1218	0.14	1428	0.2	1597	0.27	1746	0.34	1882	0.41	2010	0.47	2133	0.55	2249	0.62	2361	0.7
648	2400	1286	0.16	1490	0.24	1658	0.31	1802	0.38	1935	0.46	2059	0.53	2176	0.61	2290	0.68	2398	0.76
702	2600	1355	0.19	1554	0.27	1719	0.35	1861	0.43	1990	0.51	2111	0.59	2225	0.67	2334	0.75	2439	0.83
756	2800	1426	0.23	1619	0.31	1781	0.4	1922	0.49	2048	0.57	2166	0.66	2277	0.74	2383	0.83	2485	0.91
810	3000	1498	0.27	1685	0.36	1843	0.45	1983	0.54	2109	0.64	2223	0.73	2332	0.82	2436	0.91	2535	1
864	3200	1571	0.32	1752	0.41	1907	0.51	2045	0.61	2170	0.7	2283	0.8	2389	0.9	2490	0.99	2588	1.09
918	3400	1644	0.37	1820	0.46	1972	0.57	2108	0.67	2231	0.78	2344	0.88	2448	0.98	2547	1.09	2642	1.19
972	3600	1719	0.43	1889	0.53	2038	0.63	2171	0.74	2293	0.86	2405	0.97	2509	1.08	2606	1.18	2699	1.29
1026	3800	1794	0.49	1959	0.59	2104	0.7	2235	0.82	2355	0.94	2466	1.06	2570	1.17	2666	1.29	2758	1.4
1080	4000	1870	0.56	2030	0.67	2172	0.78	2300	0.9	2418	1.03	2528	1.15	2631	1.27	2727	1.4	2818	1.52
1134	4200	1947	0.63	2102	0.75	2240	0.87	2366	0.99	2482	1.12	2591	1.25	2692	1.38	2788	1.51	2879	1.64
1188	4400	2024	0.72	2174	0.84	2309	0.96	2433	1.09	2547	1.22	2654	1.36	2755	1.5	2849	1.63	2940	1.77
1242	4600	2101	0.81	2247	0.93	2379	1.06	2500	1.19	2613	1.33	2718	1.47	2817	1.62	2911	1.76	3001	1.9
1296	4800	2179	0.9	2321	1.04	2450	1.17	2568	1.31	2679	1.45	2783	1.6	2881	1.74	2974	1.89	3062	2.04
1350	5000	2258	1.01	2395	1.15	2521	1.28	2637	1.43	2746	1.57	2848	1.72	2945	1.88	3037	2.03	3125	2.19

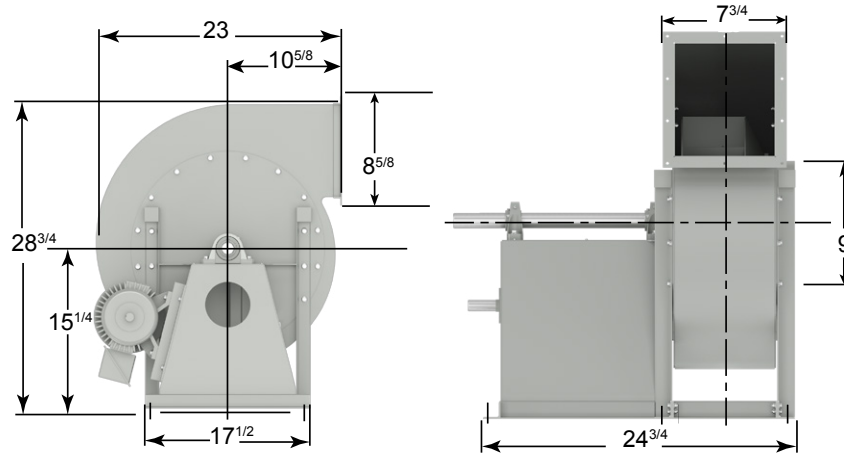
TYPE AH | 07 - 61

CFM	OV	5		5.5		6		6.5		7		7.5		8		8.5		9	
		RPM	BHP	RPM	BHP	RPM	BHP	RPM	BHP	RPM	BHP	RPM	BHP	RPM	BHP	RPM	BHP	RPM	BHP
378	1400	2427	0.55	2544	0.62	2656	0.69	2764	0.76	2868	0.83	2968	0.9	3065	0.97	3159	1.05	-	-
432	1600	2429	0.6	2546	0.67	2658	0.74	2766	0.82	2869	0.89	2969	0.97	3065	1.05	3159	1.13	3250	1.21
486	1800	2434	0.65	2549	0.73	2660	0.8	2767	0.88	2871	0.96	2970	1.04	3067	1.13	3160	1.21	3251	1.29
540	2000	2447	0.71	2559	0.79	2667	0.87	2772	0.95	2874	1.03	2973	1.12	3069	1.21	3162	1.29	3252	1.38
594	2200	2470	0.77	2576	0.86	2681	0.94	2782	1.02	2882	1.11	2979	1.2	3073	1.29	3165	1.38	3255	1.47
648	2400	2503	0.84	2604	0.93	2703	1.01	2801	1.1	2896	1.19	2990	1.28	3082	1.38	3172	1.47	3261	1.57
702	2600	2541	0.92	2640	1.01	2735	1.1	2828	1.19	2920	1.28	3010	1.37	3098	1.47	3186	1.57	3272	1.67
756	2800	2584	1	2680	1.09	2773	1.19	2863	1.28	2951	1.38	3038	1.47	3123	1.57	3207	1.67	3289	1.78
810	3000	2631	1.09	2724	1.19	2814	1.28	2903	1.38	2989	1.48	3073	1.58	3155	1.68	3236	1.79	3315	1.89
864	3200	2681	1.19	2772	1.29	2860	1.39	2946	1.49	3030	1.59	3112	1.7	3192	1.8	3271	1.91	3348	2.02
918	3400	2734	1.29	2823	1.4	2909	1.5	2992	1.6	3074	1.71	3154	1.82	3233	1.93	3310	2.04	3386	2.15
972	3600	2789	1.4	2876	1.51	2960	1.62	3042	1.73	3122	1.84	3200	1.95	3277	2.06	3352	2.18	3426	2.29
1026	3800	2846	1.52	2931	1.63	3014	1.75	3094	1.86	3173	1.98	3249	2.09	3324	2.21	3397	2.33	3470	2.44
1080	4000	2905	1.64	2988	1.76	3069	1.88	3148	2	3226	2.12	3301	2.24	3374	2.36	3446	2.48	3516	2.61
1134	4200	2965	1.76	3047	1.89	3126	2.02	3204	2.14	3280	2.27	3354	2.4	3426	2.52	3497	2.65	3566	2.78
1188	4400	3025	1.9	3107	2.03	3185	2.16	3261	2.29	3335	2.43	3408	2.56	3480	2.69	3549	2.83	3618	2.96
1242	4600	3086	2.04	3168	2.18	3245	2.32	3320	2.45	3393	2.59	3465	2.73	3534	2.87	3603	3.01	3671	3.15
1296	4800	3147	2.19	3228	2.33	3306	2.48	3381	2.62	3453	2.76	3523	2.91	3591	3.05	3659	3.2	3725	3.34
1350	5000	3209	2.34	3289	2.49	3367	2.64	3441	2.79	3513	2.94	3582	3.09	3650	3.24	3716	3.39	3781	3.54
1404	5200	3270	2.5	3350	2.66	3427	2.82	3502	2.98	3573	3.13	3642	3.29	3709	3.44	3775	3.6	3839	3.75
1458	5400	3333	2.67	3412	2.83	3489	3	3563	3.16	3634	3.33	3703	3.49	3770	3.65	3834	3.81	3898	3.97
1512	5600	3396	2.84	3475	3.02	3550	3.19	3624	3.36	3695	3.53	3764	3.7	3830	3.87	3895	4.03	3957	4.2
1566	5800	3459	3.03	3537	3.21	3612	3.39	3685	3.56	3756	3.74	3824	3.92	3891	4.09	3955	4.27	4018	4.44
1620	6000	3523	3.22	3601	3.41	3675	3.59	3747	3.77	3817	3.96	3885	4.14	3951	4.32	4016	4.5	4078	4.68
1674	6200	3588	3.43	3664	3.61	3738	3.8	3810	4	3879	4.19	3947	4.38	4012	4.56	4076	4.75	-	-
1728	6400	3653	3.64	3729	3.83	3802	4.03	3873	4.22	3941	4.42	4008	4.62	-	-	-	-	-	-
1782	6600	3719	3.86	3793	4.06	3866	4.26	3936	4.46	4004	4.67	-	-	-	-	-	-	-	-

CFM	OV	10		11		12		13		14		15		16		17		18	
		RPM	BHP	RPM	BHP	RPM	BHP	RPM	BHP	RPM	BHP	RPM	BHP	RPM	BHP	RPM	BHP	RPM	BHP
486	1800	3425	1.47	3591	1.65	3749	1.83	-	-	-	-	-	-	-	-	-	-	-	-
540	2000	3427	1.56	3592	1.75	3750	1.95	3902	2.14	4048	2.35	-	-	-	-	-	-	-	-
594	2200	3428	1.66	3593	1.86	3752	2.06	3903	2.27	4049	2.48	4189	2.69	4325	2.91	-	-	-	-
648	2400	3432	1.77	3596	1.97	3753	2.18	3904	2.39	4050	2.61	4190	2.83	4326	3.06	4457	3.29	4585	3.52
702	2600	3439	1.88	3600	2.09	3756	2.3	3906	2.52	4051	2.75	4191	2.98	4327	3.21	4458	3.45	4586	3.69
756	2800	3452	1.99	3610	2.21	3762	2.43	3911	2.66	4054	2.89	4193	3.13	4328	3.37	4459	3.62	4587	3.87
810	3000	3472	2.11	3624	2.34	3774	2.57	3919	2.8	4060	3.04	4198	3.29	4331	3.54	4461	3.79	4588	4.05
864	3200	3499	2.24	3646	2.47	3790	2.71	3932	2.95	4070	3.2	4205	3.45	4337	3.71	4466	3.97	-	-
918	3400	3532	2.38	3675	2.62	3814	2.86	3951	3.11	4086	3.36	4218	3.62	4347	3.88	4473	4.15	-	-
972	3600	3570	2.53	3709	2.77	3845	3.02	3977	3.27	4107	3.53	4235	3.8	4361	4.07	4485	4.34	-	-
1026	3800	3611	2.69	3748	2.94	3880	3.19	4009	3.45	4135	3.72	4259	3.99	4381	4.26	4502	4.54	-	-
1080	4000	3654	2.86	3789	3.11	3919	3.37	4045	3.64	4168	3.91	4289	4.19	4408	4.47	-	-	-	-
1134	4200	3701	3.03	3832	3.3	3960	3.57	4084	3.84	4205	4.12	4323	4.4	4439	4.68	-	-	-	-
1188	4400	3750	3.22	3878	3.49	4003	3.77	4126	4.05	4245	4.33	4361	4.62	-	-	-	-	-	-
1242	4600	3801	3.42	3927	3.7	4050	3.98	4169	4.27	4286	4.56	-	-	-	-	-	-	-	-
1296	4800	3854	3.63	3978	3.92	4099	4.21	4216	4.5	4331	4.8	-	-	-	-	-	-	-	-
1350	5000	3908	3.84	4031	4.14	4150	4.44	4265	4.75	-	-	-	-	-	-	-	-	-	-
1404	5200	3963	4.06	4085	4.38	4202	4.69	-	-	-	-	-	-	-	-	-	-	-	-
1458	5400	4020	4.29	4139	4.62	-	-	-	-	-	-	-	-	-	-	-	-	-	-
1512	5600	4079	4.53	-	-	-	-	-	-	-	-	-	-	-	-	-	-	-	-
1566	5800	4138	4.78	-	-	-	-	-	-	-	-	-	-	-	-	-	-	-	-
1620	6000	-	-	-	-	-	-	-	-	-	-	-	-	-	-	-	-	-	-
1674	6200	-	-	-	-	-	-	-	-	-	-	-	-	-	-	-	-	-	-
1728	6400	-	-	-	-	-	-	-	-	-	-	-	-	-	-	-	-	-	-
1782	6600	-	-	-	-	-	-	-	-	-	-	-	-	-	-	-	-	-	-

Performance certified is for Installation Type D: ducted inlet, ducted outlet. Performance ratings do not include the effects of appurtenances. Power rating (BHP) does not include transmission losses. Bold data shows fans maximum static efficiency.

TYPE AH | 09 - 61



CFM	OV	STATIC PRESSURE																	
		0.5		1		1.5		2		2.5		3		3.5		4		4.5	
		RPM	BHP	RPM	BHP	RPM	BHP	RPM	BHP	RPM	BHP	RPM	BHP	RPM	BHP	RPM	BHP	RPM	BHP
440	1000	664	0.06	869	0.11	1047	0.18	1205	0.25	1346	0.32	1474	0.4	1591	0.48	1701	0.56	-	-
528	1200	707	0.08	899	0.14	1062	0.21	1211	0.28	1349	0.36	1475	0.45	1593	0.53	1702	0.63	1804	0.72
616	1400	754	0.1	936	0.17	1089	0.24	1227	0.32	1357	0.41	1480	0.5	1595	0.59	1703	0.69	1806	0.79
704	1600	802	0.12	978	0.2	1123	0.28	1255	0.37	1376	0.46	1491	0.55	1602	0.65	1707	0.76	1808	0.87
792	1800	852	0.15	1023	0.24	1163	0.33	1288	0.42	1404	0.52	1513	0.62	1617	0.72	1717	0.83	1815	0.95
880	2000	903	0.18	1071	0.28	1206	0.38	1327	0.48	1438	0.58	1543	0.69	1642	0.8	1736	0.92	1829	1.04
968	2200	955	0.22	1119	0.33	1252	0.44	1369	0.55	1476	0.66	1576	0.77	1672	0.89	1763	1.01	1851	1.13
1056	2400	1008	0.27	1168	0.39	1300	0.51	1413	0.62	1517	0.74	1614	0.86	1706	0.98	1795	1.11	1880	1.24
1144	2600	1063	0.32	1218	0.45	1348	0.58	1459	0.7	1560	0.83	1655	0.96	1745	1.09	1830	1.22	1913	1.36
1232	2800	1118	0.38	1269	0.51	1396	0.65	1507	0.79	1606	0.93	1698	1.07	1786	1.21	1869	1.35	1948	1.49
1320	3000	1174	0.44	1321	0.58	1445	0.73	1555	0.89	1653	1.03	1743	1.18	1828	1.33	1910	1.48	1988	1.63
1408	3200	1231	0.52	1373	0.67	1495	0.82	1603	0.99	1701	1.15	1790	1.3	1873	1.46	1952	1.62	2029	1.78
1496	3400	1289	0.6	1427	0.76	1546	0.92	1652	1.09	1749	1.27	1838	1.43	1919	1.6	1997	1.77	2071	1.93
1584	3600	1348	0.69	1481	0.85	1598	1.03	1702	1.21	1797	1.39	1885	1.57	1967	1.75	2043	1.93	2116	2.1
1672	3800	1407	0.79	1536	0.96	1650	1.15	1752	1.34	1846	1.53	1933	1.72	2015	1.91	2091	2.09	2162	2.28
1760	4000	1466	0.91	1592	1.09	1703	1.27	1803	1.47	1896	1.67	1982	1.87	2063	2.07	2138	2.27	2209	2.47
1848	4200	1526	1.03	1648	1.22	1756	1.41	1855	1.62	1946	1.83	2031	2.04	2111	2.25	2186	2.46	2257	2.67
1936	4400	1587	1.16	1705	1.36	1810	1.56	1907	1.77	1997	1.99	2081	2.21	2160	2.43	2234	2.65	2305	2.87
2024	4600	1647	1.31	1762	1.52	1865	1.72	1960	1.94	2048	2.17	2131	2.4	2209	2.63	2283	2.86	2353	3.09
2112	4800	1709	1.47	1820	1.69	1921	1.9	2014	2.12	2100	2.36	2182	2.6	2259	2.84	2331	3.08	2401	3.32
2200	5000	1770	1.64	1878	1.87	1976	2.09	2068	2.32	2153	2.56	2233	2.81	2309	3.05	2381	3.31	2450	3.56

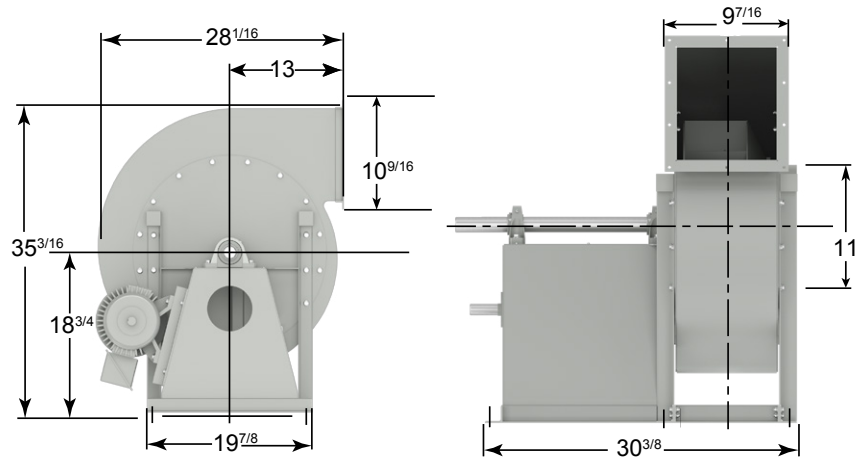
TYPE AH | 09 - 61

CFM	OV	5		5.5		6		6.5		7		7.5		8		8.5		9	
		RPM	BHP	RPM	BHP	RPM	BHP	RPM	BHP	RPM	BHP	RPM	BHP	RPM	BHP	RPM	BHP	RPM	BHP
616	1400	1902	0.9	1995	1	2082	1.12	2167	1.23	2248	1.35	2327	1.46	2403	1.58	2469	1.71	-	-
704	1600	1904	0.98	1996	1.09	2084	1.21	2168	1.33	2249	1.45	2328	1.58	2403	1.71	2476	1.84	2548	1.97
792	1800	1908	1.07	1999	1.19	2086	1.31	2170	1.44	2251	1.56	2329	1.7	2404	1.83	2478	1.97	2549	2.11
880	2000	1919	1.16	2006	1.29	2091	1.42	2173	1.55	2253	1.68	2331	1.82	2406	1.96	2479	2.1	2550	2.25
968	2200	1936	1.26	2020	1.39	2102	1.53	2181	1.67	2259	1.81	2335	1.95	2409	2.1	2481	2.25	2552	2.4
1056	2400	1962	1.37	2042	1.51	2119	1.65	2196	1.79	2271	1.94	2344	2.09	2417	2.24	2487	2.4	2556	2.55
1144	2600	1992	1.5	2069	1.64	2144	1.78	2217	1.93	2289	2.08	2360	2.24	2429	2.39	2498	2.56	2565	2.72
1232	2800	2026	1.63	2101	1.78	2174	1.93	2245	2.08	2314	2.24	2382	2.4	2448	2.56	2514	2.72	2579	2.89
1320	3000	2063	1.78	2135	1.93	2206	2.09	2276	2.25	2343	2.41	2409	2.57	2474	2.74	2537	2.91	2599	3.08
1408	3200	2102	1.94	2173	2.09	2242	2.26	2309	2.42	2375	2.59	2440	2.76	2503	2.93	2564	3.11	2625	3.28
1496	3400	2144	2.1	2213	2.27	2280	2.44	2346	2.61	2410	2.78	2473	2.96	2535	3.14	2595	3.32	2654	3.5
1584	3600	2186	2.28	2255	2.46	2321	2.64	2385	2.81	2448	2.99	2509	3.17	2569	3.36	2628	3.54	2686	3.73
1672	3800	2231	2.47	2298	2.65	2363	2.84	2426	3.03	2487	3.22	2547	3.4	2606	3.59	2663	3.78	2720	3.98
1760	4000	2277	2.66	2342	2.86	2406	3.05	2468	3.25	2529	3.45	2588	3.65	2645	3.84	2702	4.04	2757	4.24
1848	4200	2324	2.87	2389	3.08	2451	3.28	2512	3.49	2571	3.69	2629	3.9	2686	4.11	2741	4.31	2796	4.52
1936	4400	2372	3.09	2436	3.3	2497	3.52	2557	3.73	2615	3.95	2672	4.16	2728	4.38	2783	4.6	2836	4.81
2024	4600	2420	3.32	2483	3.54	2544	3.77	2603	3.99	2660	4.22	2716	4.44	2771	4.67	2825	4.89	2878	5.12
2112	4800	2467	3.56	2531	3.79	2592	4.03	2650	4.26	2707	4.5	2762	4.73	2816	4.96	2868	5.2	2920	5.43
2200	5000	2515	3.81	2579	4.06	2640	4.3	2698	4.55	2754	4.79	2808	5.03	2861	5.28	2913	5.52	2964	5.76
2288	5200	2564	4.07	2627	4.33	2687	4.59	2745	4.84	2802	5.1	2856	5.35	2908	5.6	2959	5.85	3009	6.11
2376	5400	2613	4.34	2675	4.61	2735	4.88	2793	5.15	2849	5.41	2903	5.68	2955	5.94	3006	6.2	3056	6.46
2464	5600	2662	4.63	2724	4.91	2783	5.19	2841	5.47	2897	5.74	2951	6.02	3003	6.29	3053	6.56	3103	6.83
2552	5800	2712	4.93	2773	5.22	2832	5.51	2889	5.8	2944	6.09	2998	6.37	3050	6.66	3101	6.94	3150	7.22
2640	6000	2762	5.24	2823	5.54	2881	5.84	2938	6.14	2993	6.44	3046	6.74	3098	7.03	3148	7.33	3197	7.62
2728	6200	2813	5.57	2873	5.88	2931	6.19	2987	6.5	3041	6.81	3094	7.12	3146	7.43	3196	7.73	3245	8.03
2816	6400	2864	5.92	2923	6.24	2980	6.55	3036	6.87	3090	7.19	3143	7.51	3194	7.83	3244	8.15	3292	8.46
2904	6600	2915	6.28	2974	6.61	3031	6.93	3086	7.26	3139	7.59	3191	7.92	3242	8.25	3292	8.58	3340	8.9

CFM	OV	10		11		12		13		14		15		16		17		18	
		RPM	BHP	RPM	BHP	RPM	BHP	RPM	BHP	RPM	BHP	RPM	BHP	RPM	BHP	RPM	BHP	RPM	BHP
792	1800	2685	2.39	2815	2.68	2940	2.98	-	-	-	-	-	-	-	-	-	-	-	-
880	2000	2687	2.55	2816	2.85	2940	3.17	3059	3.49	3173	3.82	-	-	-	-	-	-	-	-
968	2200	2688	2.71	2817	3.03	2941	3.35	3060	3.69	3174	4.03	3284	4.38	3391	4.73	-	-	-	-
1056	2400	2690	2.88	2819	3.21	2942	3.55	3061	3.89	3175	4.25	3285	4.61	3379	4.98	3484	5.35	3586	5.73
1144	2600	2696	3.05	2823	3.4	2945	3.75	3062	4.11	3176	4.47	3286	4.85	3382	5.23	3495	5.61	3595	6.01
1232	2800	2706	3.24	2830	3.59	2950	3.96	3066	4.33	3178	4.71	3287	5.09	3393	5.48	3496	5.88	3596	6.29
1320	3000	2722	3.44	2842	3.8	2958	4.18	3072	4.56	3183	4.95	3291	5.35	3396	5.75	3498	6.16	3597	6.58
1408	3200	2743	3.65	2859	4.02	2972	4.41	3083	4.8	3191	5.2	3297	5.61	3400	6.03	3501	6.45	3600	6.88
1496	3400	2769	3.87	2881	4.26	2990	4.65	3098	5.05	3203	5.47	3307	5.89	3408	6.32	3507	6.75	3604	7.2
1584	3600	2799	4.12	2908	4.51	3014	4.91	3118	5.33	3220	5.75	3320	6.18	3419	6.62	3516	7.07	3612	7.52
1672	3800	2831	4.37	2938	4.78	3042	5.19	3143	5.61	3242	6.04	3339	6.48	3435	6.93	3530	7.39	3623	7.86
1760	4000	2865	4.65	2970	5.06	3072	5.49	3171	5.92	3268	6.36	3363	6.81	3456	7.27	3547	7.73	3638	8.21
1848	4200	2901	4.94	3004	5.36	3105	5.8	3202	6.24	3297	6.7	3390	7.15	3480	7.62	3570	8.09	3658	8.58
1936	4400	2940	5.25	3041	5.68	3139	6.13	3234	6.58	3328	7.05	3419	7.52	3508	7.99	3595	8.48	3681	8.97
2024	4600	2980	5.57	3079	6.02	3175	6.48	3269	6.94	3361	7.41	3451	7.9	3538	8.39	3624	8.88	3708	9.38
2112	4800	3022	5.91	3119	6.37	3213	6.85	3305	7.32	3395	7.8	3483	8.29	3570	8.8	3655	9.3	3737	9.81
2200	5000	3064	6.25	3160	6.74	3253	7.23	3344	7.72	3432	8.21	3518	8.71	3603	9.22	3687	9.74	3769	10.27
2288	5200	3107	6.61	3202	7.12	3294	7.63	3384	8.14	3470	8.64	3555	9.16	3638	9.67	3720	10.2	3801	10.74
2376	5400	3152	6.99	3245	7.51	3336	8.04	3425	8.57	3510	9.09	3594	9.62	3676	10.15	3756	10.68	3835	11.23
2464	5600	3198	7.38	3290	7.92	3379	8.46	3466	9.01	3551	9.56	3634	10.1	3714	10.65	3793	11.19	3871	11.75
2552	5800	3244	7.78	3335	8.34	3423	8.9	3509	9.47	3593	10.03	3675	10.6	3754	11.16	3832	11.72	3909	12.29
2640	6000	3291	8.2	3381	8.78	3468	9.36	3552	9.94	3635	10.52	3716	11.11	3795	11.69	3872	12.27	3948	12.85
2728	6200	3339	8.64	3428	9.24	3514	9.83	3597	10.43	3679	11.03	3758	11.63	3837	12.23	3913	12.83	3988	13.43
2816	6400	3386	9.09	3475	9.71	3561	10.32	3643	10.94	3723	11.55	3802	12.17	3879	12.79	3955	13.41	4029	14.03
2904	6600	3433	9.55	3523	10.19	3608	10.83	3690	11.46	3769	12.09	3846	12.73	3922	13.37	3997	14	4070	14.64

Performance certified is for Installation Type D: ducted inlet, ducted outlet. Performance ratings do not include the effects of appurtenances. Power rating (BHP) does not include transmission losses. Bold data shows fans maximum static efficiency.

TYPE AH | 11 - 61



CFM	OV	STATIC PRESSURE																	
		0.5		1		1.5		2		2.5		3		3.5		4		4.5	
		RPM	BHP	RPM	BHP	RPM	BHP	RPM	BHP	RPM	BHP	RPM	BHP	RPM	BHP	RPM	BHP	RPM	BHP
660	1000	532	0.08	707	0.15	852	0.23	977	0.31	1088	0.4	1190	0.48	1284	0.58	1371	0.67	1454	0.77
792	1200	560	0.1	726	0.18	864	0.27	985	0.37	1095	0.46	1195	0.56	1288	0.66	1374	0.77	1456	0.88
924	1400	592	0.12	750	0.22	882	0.32	999	0.42	1105	0.53	1203	0.65	1294	0.76	1380	0.87	1461	0.99
1056	1600	627	0.15	777	0.26	904	0.37	1016	0.49	1119	0.61	1214	0.73	1303	0.86	1388	0.98	1467	1.11
1188	1800	665	0.19	808	0.31	929	0.43	1038	0.55	1137	0.68	1229	0.82	1316	0.95	1398	1.09	1477	1.24
1320	2000	704	0.23	840	0.36	958	0.49	1062	0.63	1158	0.77	1248	0.91	1332	1.06	1413	1.21	1489	1.36
1452	2200	745	0.28	875	0.42	988	0.56	1090	0.71	1183	0.86	1270	1.01	1352	1.17	1430	1.33	1504	1.5
1584	2400	787	0.34	912	0.48	1021	0.64	1119	0.8	1209	0.96	1294	1.12	1374	1.29	1450	1.46	1522	1.63
1716	2600	830	0.4	950	0.56	1054	0.72	1150	0.89	1238	1.06	1320	1.24	1398	1.42	1472	1.6	1543	1.78
1848	2800	874	0.47	989	0.64	1090	0.81	1183	1	1269	1.18	1349	1.37	1425	1.55	1497	1.75	1566	1.94
1980	3000	919	0.56	1030	0.74	1128	0.92	1217	1.11	1301	1.3	1379	1.5	1453	1.7	1523	1.9	1591	2.11
2112	3200	965	0.65	1071	0.84	1166	1.03	1252	1.23	1334	1.44	1410	1.65	1483	1.86	1552	2.07	1618	2.29
2244	3400	1011	0.76	1113	0.96	1205	1.16	1289	1.37	1368	1.58	1443	1.8	1514	2.03	1582	2.25	1646	2.48
2376	3600	1058	0.87	1156	1.08	1245	1.3	1327	1.52	1403	1.74	1476	1.97	1546	2.2	1613	2.44	1676	2.68
2508	3800	1105	1	1200	1.22	1286	1.45	1366	1.68	1441	1.91	1511	2.15	1579	2.39	1644	2.64	1707	2.89
2640	4000	1153	1.14	1244	1.37	1328	1.61	1406	1.85	1479	2.09	1547	2.34	1613	2.59	1677	2.85	1739	3.11
2772	4200	1201	1.29	1289	1.54	1370	1.79	1446	2.04	1517	2.29	1585	2.55	1649	2.81	1711	3.08	1771	3.35
2904	4400	1250	1.46	1334	1.72	1413	1.98	1487	2.24	1557	2.5	1623	2.77	1685	3.04	1746	3.32	1805	3.6
3036	4600	1299	1.65	1380	1.91	1457	2.18	1529	2.46	1597	2.73	1661	3.01	1723	3.29	1782	3.57	1839	3.86
3168	4800	1348	1.85	1427	2.12	1501	2.4	1571	2.69	1637	2.97	1701	3.26	1761	3.55	1819	3.85	1875	4.14
3300	5000	1398	2.06	1473	2.35	1545	2.64	1614	2.94	1679	3.23	1740	3.53	1800	3.83	1857	4.14	1911	4.44

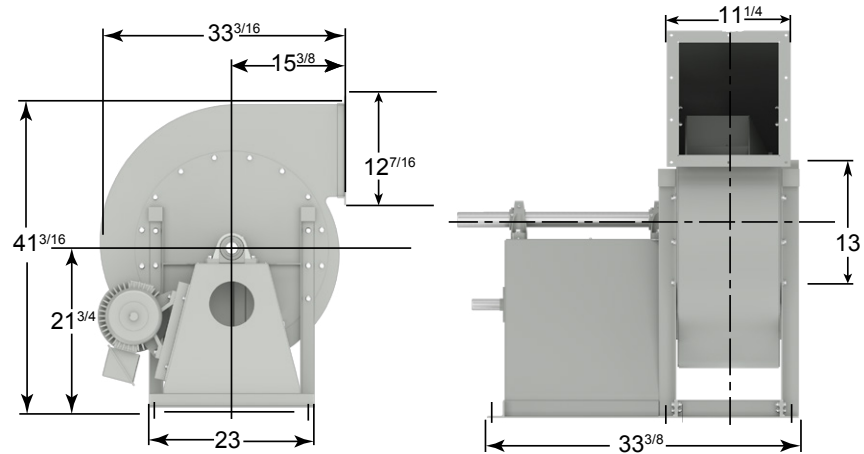
TYPE AH | 11 - 61

CFM	OV	5		5.5		6		6.5		7		7.5		8		8.5		9	
		RPM	BHP	RPM	BHP	RPM	BHP	RPM	BHP	RPM	BHP	RPM	BHP	RPM	BHP	RPM	BHP	RPM	BHP
924	1400	1537	1.11	1611	1.23	1681	1.36	1748	1.49	1813	1.62	1876	1.75	1937	1.88	1996	2.02	2053	2.16
1056	1600	1543	1.25	1616	1.38	1685	1.51	1752	1.65	1816	1.79	1879	1.93	1939	2.07	1998	2.22	2055	2.37
1188	1800	1551	1.38	1623	1.53	1692	1.67	1758	1.82	1822	1.97	1883	2.12	1943	2.28	2001	2.43	2058	2.59
1320	2000	1562	1.52	1632	1.68	1700	1.84	1765	2	1829	2.16	1890	2.33	1949	2.49	2007	2.65	2063	2.82
1452	2200	1576	1.66	1645	1.83	1711	2	1775	2.18	1837	2.35	1898	2.53	1957	2.71	2014	2.89	2069	3.06
1584	2400	1592	1.81	1660	1.99	1725	2.17	1788	2.36	1849	2.55	1908	2.74	1966	2.93	2022	3.12	2077	3.31
1716	2600	1611	1.97	1677	2.16	1741	2.35	1803	2.55	1863	2.75	1921	2.95	1978	3.15	2033	3.35	2087	3.56
1848	2800	1633	2.14	1697	2.34	1759	2.54	1820	2.75	1879	2.95	1936	3.16	1992	3.38	2046	3.59	2100	3.81
1980	3000	1656	2.32	1719	2.53	1780	2.74	1839	2.95	1897	3.17	1953	3.39	2008	3.61	2062	3.84	2114	4.06
2112	3200	1682	2.5	1743	2.73	1803	2.95	1861	3.17	1917	3.4	1973	3.63	2026	3.86	2079	4.1	2130	4.33
2244	3400	1709	2.7	1769	2.93	1828	3.17	1885	3.4	1940	3.64	1994	3.88	2047	4.12	2098	4.37	2149	4.61
2376	3600	1737	2.92	1796	3.16	1854	3.4	1910	3.65	1964	3.89	2017	4.14	2069	4.4	2119	4.65	2169	4.91
2508	3800	1767	3.14	1825	3.39	1881	3.64	1936	3.9	1989	4.16	2042	4.42	2092	4.68	2142	4.95	2191	5.21
2640	4000	1798	3.38	1855	3.64	1910	3.9	1964	4.17	2016	4.44	2067	4.71	2117	4.98	2167	5.25	2214	5.53
2772	4200	1829	3.62	1886	3.9	1940	4.17	1993	4.45	2044	4.73	2094	5.01	2144	5.29	2192	5.58	2239	5.86
2904	4400	1862	3.88	1917	4.17	1971	4.46	2023	4.75	2074	5.04	2123	5.33	2171	5.62	2219	5.91	2265	6.21
3036	4600	1895	4.16	1950	4.46	2003	4.76	2054	5.06	2104	5.36	2152	5.66	2200	5.96	2247	6.27	2292	6.57
3168	4800	1929	4.45	1983	4.76	2035	5.07	2086	5.38	2135	5.69	2183	6.01	2230	6.32	2276	6.64	2321	6.95
3300	5000	1965	4.75	2017	5.07	2068	5.39	2118	5.72	2167	6.04	2214	6.37	2260	6.69	2306	7.02	2350	7.35
3432	5200	2001	5.08	2052	5.4	2102	5.73	2151	6.07	2199	6.41	2246	6.74	2292	7.08	2336	7.42	2380	7.76
3564	5400	2038	5.43	2088	5.76	2137	6.09	2185	6.44	2232	6.78	2278	7.13	2323	7.48	2368	7.84	2411	8.19
3696	5600	2076	5.79	2125	6.13	2172	6.48	2219	6.83	2266	7.18	2311	7.54	2356	7.9	2399	8.27	2442	8.63
3828	5800	2114	6.17	2162	6.53	2209	6.88	2255	7.24	2300	7.6	2345	7.97	2389	8.34	2432	8.71	2474	9.09
3960	6000	2153	6.58	2200	6.94	2247	7.3	2292	7.67	2336	8.04	2380	8.41	2423	8.79	2465	9.18	2507	9.56
4092	6200	2192	7	2239	7.37	2285	7.75	2329	8.12	2372	8.5	2415	8.88	2457	9.27	2499	9.66	2540	10.06
4224	6400	2232	7.44	2278	7.83	2323	8.21	2367	8.6	2410	8.99	2451	9.38	2493	9.77	2534	10.17	2574	10.57
4356	6600	2272	7.91	2317	8.3	2362	8.7	2405	9.1	2447	9.49	2489	9.89	2529	10.29	2569	10.7	2609	11.11

CFM	OV	10		11		12		13		14		15		16		17		18	
		RPM	BHP	RPM	BHP	RPM	BHP	RPM	BHP	RPM	BHP	RPM	BHP	RPM	BHP	RPM	BHP	RPM	BHP
1188	1800	2167	2.91	2270	3.23	2370	3.57	2465	3.91	2557	4.27	2645	4.63	2731	5	2814	5.37	-	-
1320	2000	2171	3.16	2274	3.5	2372	3.86	2467	4.22	2558	4.58	2646	4.96	2732	5.34	2816	5.73	-	-
1452	2200	2176	3.42	2278	3.79	2376	4.16	2470	4.54	2561	4.92	2649	5.31	2734	5.71	2818	6.11	2896	6.52
1584	2400	2183	3.7	2285	4.09	2382	4.48	2475	4.88	2565	5.28	2653	5.69	2737	6.1	2819	6.52	2899	6.95
1716	2600	2192	3.97	2292	4.39	2389	4.81	2481	5.23	2571	5.65	2658	6.08	2741	6.52	2823	6.95	2902	7.4
1848	2800	2203	4.24	2302	4.69	2397	5.13	2489	5.58	2579	6.03	2664	6.48	2747	6.94	2828	7.4	2907	7.86
1980	3000	2215	4.52	2313	4.99	2407	5.46	2498	5.94	2586	6.41	2671	6.89	2754	7.37	2834	7.86	2912	8.34
2112	3200	2230	4.81	2326	5.3	2419	5.79	2509	6.29	2596	6.79	2680	7.3	2762	7.81	2842	8.32	2919	8.83
2244	3400	2247	5.11	2342	5.62	2433	6.13	2521	6.65	2607	7.18	2690	7.71	2772	8.24	2851	8.78	2928	9.32
2376	3600	2265	5.42	2359	5.95	2449	6.48	2536	7.02	2620	7.57	2703	8.12	2783	8.68	2861	9.24	2937	9.8
2508	3800	2286	5.75	2377	6.29	2466	6.85	2552	7.41	2635	7.97	2716	8.55	2795	9.12	2873	9.71	2948	10.29
2640	4000	2308	6.09	2398	6.65	2485	7.22	2570	7.8	2652	8.39	2732	8.98	2810	9.58	2886	10.18	2960	10.79
2772	4200	2331	6.44	2420	7.03	2505	7.62	2589	8.22	2670	8.82	2749	9.43	2826	10.05	2901	10.68	2975	11.3
2904	4400	2356	6.81	2443	7.41	2527	8.3	2609	8.64	2689	9.27	2767	9.9	2843	10.54	2917	11.18	2990	11.83
3036	4600	2381	7.19	2467	7.82	2551	8.45	2632	9.09	2710	9.73	2787	10.38	2862	11.04	2935	11.7	3007	12.37
3168	4800	2408	7.59	2493	8.24	2575	8.89	2655	9.55	2733	10.21	2808	10.88	2882	11.55	2954	12.24	3025	12.92
3300	5000	2436	8.01	2520	8.67	2601	9.34	2679	10.02	2756	10.71	2831	11.4	2903	12.09	2975	12.79	3045	13.5
3432	5200	2465	8.44	2547	9.12	2627	9.82	2705	10.51	2780	11.22	2854	11.93	2926	12.64	2996	13.36	3065	14.09
3564	5400	2495	8.89	2576	9.59	2655	10.31	2731	11.02	2806	11.75	2879	12.48	2950	13.21	3019	13.95	3087	14.7
3696	5600	2525	9.36	2605	10.08	2683	10.82	2758	11.55	2832	12.3	2904	13.05	2974	13.8	3043	14.56	3110	15.33
3828	5800	2557	9.84	2636	10.59	2712	11.34	2787	12.1	2859	12.86	2930	13.63	3000	14.41	3068	15.19	3134	15.97
3960	6000	2588	10.34	2667	11.11	2742	11.89	2816	12.67	2888	13.45	2958	14.24	3026	15.04	3093	15.84	3159	16.64
4092	6200	2620	10.86	2698	11.66	2773	12.46	2846	13.26	2917	14.06	2986	14.87	3053	15.68	3119	16.5	3184	17.33
4224	6400	2653	11.39	2730	12.21	2804	13.04	2876	13.86	2946	14.69	3015	15.52	3081	16.35	3147	17.19	3211	18.03
4356	6600	2686	11.95	2762	12.79	2836	13.64	2907	14.49	2977	15.34	3044	16.19	3110	17.04	3175	17.9	3238	18.76

Performance certified is for Installation Type D: ducted inlet, ducted outlet. Performance ratings do not include the effects of appurtenances. Power rating (BHP) does not include transmission losses. Bold data shows fans maximum static efficiency.

TYPE AH | 13 - 61



CFM	OV	STATIC PRESSURE																	
		0.5		1		1.5		2		2.5		3		3.5		4		4.5	
		RPM	BHP	RPM	BHP	RPM	BHP	RPM	BHP	RPM	BHP	RPM	BHP	RPM	BHP	RPM	BHP	RPM	BHP
930	1000	449	0.11	598	0.21	720	0.32	826	0.44	920	0.56	1006	0.68	1085	0.81	1159	0.94	1229	1.08
1116	1200	473	0.14	614	0.26	730	0.38	833	0.51	926	0.65	1010	0.79	1088	0.93	1162	1.08	1231	1.23
1302	1400	500	0.17	634	0.31	745	0.45	844	0.59	934	0.75	1017	0.9	1094	1.06	1166	1.22	1235	1.39
1488	1600	530	0.22	657	0.36	764	0.52	859	0.68	946	0.85	1026	1.02	1102	1.2	1173	1.38	1240	1.56
1674	1800	562	0.27	683	0.43	785	0.6	877	0.77	961	0.96	1039	1.14	1113	1.34	1182	1.53	1248	1.73
1860	2000	595	0.32	710	0.5	810	0.69	898	0.88	979	1.07	1055	1.27	1126	1.48	1194	1.69	1259	1.91
2046	2200	630	0.39	739	0.58	835	0.78	921	0.99	1000	1.2	1073	1.42	1143	1.64	1209	1.86	1272	2.09
2232	2400	665	0.47	771	0.68	863	0.89	946	1.11	1022	1.34	1094	1.57	1161	1.8	1225	2.04	1287	2.29
2418	2600	702	0.56	803	0.78	891	1.01	972	1.25	1047	1.49	1116	1.73	1182	1.98	1245	2.24	1304	2.49
2604	2800	739	0.66	836	0.9	921	1.14	1000	1.39	1073	1.65	1140	1.91	1204	2.18	1265	2.44	1324	2.72
2790	3000	777	0.78	870	1.03	953	1.29	1028	1.55	1099	1.83	1166	2.1	1228	2.38	1288	2.66	1345	2.95
2976	3200	815	0.91	905	1.18	986	1.45	1058	1.72	1127	2.01	1192	2.31	1253	2.6	1312	2.9	1368	3.2
3162	3400	855	1.06	941	1.34	1019	1.62	1090	1.91	1156	2.21	1220	2.52	1280	2.84	1337	3.15	1392	3.47
3348	3600	894	1.22	977	1.51	1053	1.82	1122	2.12	1186	2.43	1248	2.76	1307	3.08	1363	3.42	1417	3.75
3534	3800	934	1.4	1014	1.71	1087	2.03	1155	2.35	1218	2.67	1277	3	1335	3.35	1390	3.7	1443	4.04
3720	4000	975	1.59	1052	1.92	1123	2.25	1188	2.59	1250	2.93	1308	3.27	1364	3.63	1418	3.99	1470	4.36
3906	4200	1015	1.81	1090	2.15	1158	2.5	1222	2.85	1283	3.21	1339	3.57	1394	3.93	1446	4.31	1497	4.69
4092	4400	1056	2.05	1128	2.4	1195	2.77	1257	3.13	1316	3.5	1372	3.88	1425	4.26	1476	4.64	1525	5.04
4278	4600	1098	2.31	1167	2.68	1231	3.05	1292	3.44	1350	3.82	1404	4.21	1456	4.6	1506	5	1555	5.4
4464	4800	1140	2.59	1206	2.97	1269	3.36	1328	3.76	1384	4.16	1438	4.56	1489	4.97	1537	5.38	1585	5.8
4650	5000	1182	2.89	1245	3.29	1306	3.7	1364	4.11	1419	4.52	1471	4.94	1521	5.36	1569	5.79	1616	6.22

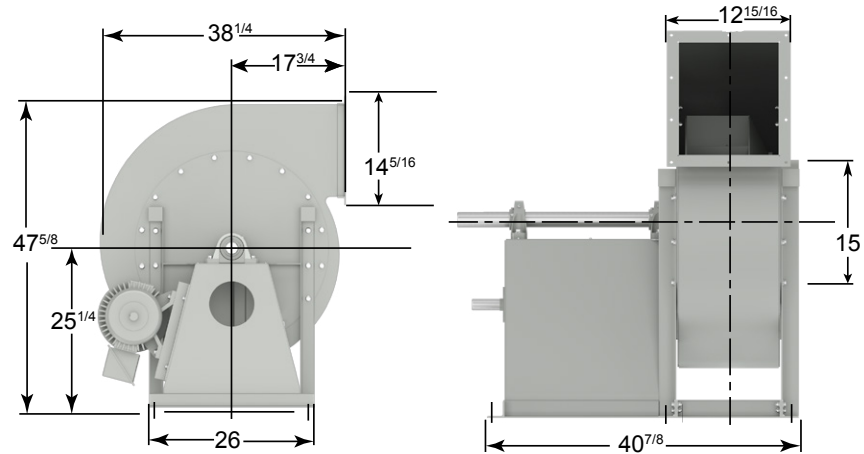
TYPE AH | 13 - 61

CFM	1800	5		5.5		6		6.5		7		7.5		8		8.5		9	
		RPM	BHP	RPM	BHP	RPM	BHP	RPM	BHP	RPM	BHP	RPM	BHP	RPM	BHP	RPM	BHP	RPM	BHP
1302	1400	1300	1.56	1361	1.73	1421	1.9	1478	2.08	1533	2.26	1586	2.45	1637	2.64	1687	2.83	1735	3.03
1488	1600	1304	1.74	1366	1.93	1424	2.12	1481	2.31	1535	2.5	1588	2.7	1639	2.9	1689	3.1	1737	3.31
1674	1800	1311	1.93	1372	2.14	1430	2.34	1486	2.55	1540	2.76	1592	2.97	1643	3.18	1692	3.4	1740	3.62
1860	2000	1320	2.13	1380	2.35	1437	2.57	1492	2.8	1546	3.03	1597	3.25	1647	3.48	1696	3.71	1744	3.95
2046	2200	1332	2.33	1390	2.56	1446	2.8	1501	3.05	1553	3.29	1604	3.54	1654	3.79	1702	4.04	1749	4.29
2232	2400	1346	2.54	1403	2.79	1458	3.04	1511	3.3	1563	3.56	1613	3.83	1662	4.1	1710	4.36	1756	4.63
2418	2600	1362	2.76	1408	3.02	1472	3.29	1524	3.57	1574	3.84	1624	4.12	1672	4.4	1719	4.69	1764	4.98
2604	2800	1380	2.99	1435	3.27	1487	3.56	1538	3.84	1588	4.13	1636	4.43	1684	4.72	1730	5.02	1775	5.33
2790	3000	1400	3.24	1453	3.54	1505	3.83	1555	4.13	1604	4.44	1651	4.75	1697	5.06	1743	5.37	1787	5.69
2976	3200	1422	3.51	1474	3.81	1524	4.13	1573	4.44	1621	4.76	1667	5.08	1713	5.41	1757	5.73	1801	6.06
3162	3400	1444	3.78	1495	4.11	1545	4.43	1593	4.76	1640	5.1	1685	5.43	1730	5.88	1774	6.11	1816	6.46
3348	3600	1468	4.08	1518	4.42	1567	4.76	1614	5.1	1660	5.45	1705	5.8	1749	6.15	1792	6.51	1833	6.87
3534	3800	1494	4.39	1543	4.75	1590	5.1	1636	5.46	1682	5.82	1725	6.18	1769	6.55	1811	6.92	1852	7.29
3720	4000	1520	4.72	1568	5.09	1615	5.46	1660	5.83	1704	6.21	1748	6.59	1790	6.97	1831	7.35	1870	7.74
3906	4200	1546	5.07	1594	5.46	1640	5.84	1685	6.23	1728	6.62	1770	7.01	1812	7.41	1853	7.8	1893	8.21
4092	4400	1574	5.44	1621	5.84	1666	6.24	1710	6.64	1753	7.05	1795	7.45	1835	7.86	1875	8.28	1915	8.69
4278	4600	1602	5.82	1648	6.24	1693	6.66	1736	7.08	1778	7.5	1819	7.92	1860	8.34	1899	8.77	1938	9.2
4464	4800	1631	6.22	1676	6.65	1720	7.09	1763	7.53	1805	7.97	1845	8.41	1885	8.84	1924	9.29	1962	9.73
4650	5000	1661	6.65	1705	7.1	1748	7.55	1790	8	1831	8.46	1872	8.91	1911	9.37	1949	9.82	1986	10.28
4836	5200	1691	7.11	1734	7.56	1777	8.02	1818	8.49	1859	8.96	1898	9.44	1937	9.91	1975	10.38	2012	10.86
5022	5400	1723	7.59	1765	8.06	1806	8.53	1847	9.01	1887	9.49	1926	9.98	1964	10.47	2001	10.97	2038	11.46
5208	5600	1755	8.1	1796	8.58	1836	9.06	1876	9.55	1915	10.05	1954	10.55	1991	11.06	2028	11.57	2065	12.08
5394	5800	1787	8.64	1828	9.13	1868	9.63	1906	10.13	1945	10.63	1982	11.15	2019	11.67	2056	12.19	2092	12.72
5580	6000	1820	9.2	1860	9.71	1899	10.22	1937	10.73	1975	11.25	2011	11.77	2048	12.31	2084	12.84	2119	13.38
5766	6200	1853	9.8	1893	10.32	1931	10.84	1969	11.37	2005	11.9	2041	12.43	2077	12.97	2112	13.52	2147	14.08
5952	6400	1886	10.42	1926	10.95	1964	11.49	2001	12.03	2037	12.58	2072	13.12	2107	13.67	2142	14.23	2176	14.8
6138	6600	1920	11.07	1959	11.62	1996	12.17	2033	12.73	2069	13.29	2104	13.85	2138	14.41	2172	14.97	2205	15.55

CFM	OV	10		11		12		13		14		15		16		17		18	
		1835	BHP	RPM	BHP	RPM	BHP	RPM	BHP	RPM	BHP	RPM	BHP	RPM	BHP	RPM	BHP	RPM	BHP
1674	1800	1831	4.07	1919	4.52	2003	4.99	2083	5.48	2161	5.97	2236	6.48	2309	6.99	2379	7.52	-	-
1860	2000	1835	4.42	1922	4.9	2005	5.4	2086	5.9	2163	6.41	2237	6.94	2310	7.47	2380	8.02	-	-
2046	2200	1840	4.79	1926	5.3	2009	5.82	2088	6.35	2165	6.89	2239	7.43	2311	7.99	2381	8.56	2448	9.13
2232	2400	1846	5.17	1931	5.72	2013	6.27	2092	6.83	2169	7.39	2242	7.96	2314	8.54	2383	9.13	2450	9.72
2418	2600	1853	5.56	1938	6.14	2019	6.73	2098	7.32	2173	7.91	2246	8.51	2317	9.12	2386	9.73	2453	10.35
2604	2800	1862	5.94	1946	6.56	2026	7.18	2104	7.81	2179	8.44	2252	9.07	2322	9.71	2390	10.36	2457	11.01
2790	3000	1873	6.33	1955	6.98	2035	7.64	2112	8.31	2183	8.97	2258	9.64	2328	10.32	2396	11	2462	11.68
2976	3200	1885	6.73	1966	7.41	2045	8.1	2121	8.8	2194	9.51	2265	10.22	2335	10.93	2402	11.64	2468	12.36
3162	3400	1899	7.15	1979	7.86	2057	8.58	2131	9.31	2204	10.04	2274	10.78	2342	11.53	2410	12.29	2475	13.04
3348	3600	1915	7.59	1994	8.33	2070	9.07	2143	9.83	2215	10.59	2284	11.36	2352	12.14	2418	12.93	2483	13.72
3534	3800	1932	8.05	2010	8.81	2084	9.58	2157	10.37	2228	11.16	2296	11.96	2363	12.77	2428	13.58	2492	14.41
3720	4000	1951	8.52	2027	9.31	2100	10.11	2172	10.92	2242	11.74	2309	12.57	2375	13.41	2440	14.25	2502	15.1
3906	4200	1970	9.02	2045	9.83	2118	10.66	2188	11.5	2257	12.35	2324	13.2	2389	14.07	2452	14.94	2514	15.82
4092	4400	1991	9.53	2065	10.38	2136	11.23	2206	12.1	2273	12.97	2339	13.85	2403	14.75	2466	15.65	2528	16.55
4278	4600	2013	10.06	2086	10.94	2156	11.83	2225	12.72	2291	13.62	2356	14.53	2419	15.45	2481	16.37	2542	17.31
4464	4800	2036	10.62	2107	11.53	2177	12.44	2244	13.36	2310	14.29	2374	15.23	2436	16.17	2497	17.12	2557	18.09
4650	5000	2059	11.2	2130	12.13	2198	13.08	2265	14.03	2330	14.98	2393	15.95	2454	16.92	2515	17.9	2574	18.89
4836	5200	2084	11.81	2153	12.77	2221	13.74	2286	14.72	2350	15.7	2413	16.69	2473	17.69	2533	18.7	2591	19.72
5022	5400	2109	12.44	2177	13.43	2244	14.42	2309	15.43	2372	16.44	2433	17.46	2493	18.49	2552	19.53	2610	20.57
5208	5600	2135	13.09	2202	14.11	2268	15.14	2332	16.17	2394	17.21	2455	18.26	2514	19.32	2572	20.38	2629	21.45
5394	5800	2161	13.77	2228	14.82	2293	15.88	2356	16.94	2417	18	2477	19.08	2536	20.17	2593	21.26	2649	22.36
5580	6000	2188	14.47	2254	15.55	2318	16.64	2380	17.73	2441	18.83	2500	19.93	2558	21.04	2615	22.16	2670	23.29
5766	6200	2215	15.19	2281	16.31	2344	17.43	2406	18.55	2465	19.68	2524	20.81	2581	21.95	2637	23.09	2692	24.25
5952	6400	2243	15.94	2307	17.09	2370	18.25	2431	19.4	2491	20.56	2548	21.72	2605	22.89	2660	24.06	2714	25.24
6138	6600	2271	16.72	2335	17.9	2397	19.09	2457	20.28	2516	21.47	2573	22.66	2629	23.85	2684	25.05	2737	26.25

Performance certified is for Installation Type D: ducted inlet, ducted outlet. Performance ratings do not include the effects of appurtenances. Power rating (BHP) does not include transmission losses. Bold data shows fans maximum static efficiency.

TYPE AH | 15 - 61



CFM	OV	STATIC PRESSURE																	
		0.5		1		1.5		2		2.5		3		3.5		4		4.5	
		RPM	BHP	RPM	BHP	RPM	BHP	RPM	BHP	RPM	BHP	RPM	BHP	RPM	BHP	RPM	BHP	RPM	BHP
1240	1000	389	0.15	518	0.28	623	0.43	715	0.58	797	0.74	871	0.9	940	1.08	1004	1.25	1064	1.44
1488	1200	410	0.19	531	0.34	633	0.51	721	0.69	802	0.87	875	1.05	943	1.24	1006	1.43	1066	1.63
1736	1400	433	0.23	549	0.41	645	0.56	731	0.79	809	1	881	1.21	947	1.42	1010	1.63	1069	1.85
1984	1600	459	0.29	569	0.48	662	0.69	744	0.91	819	1.13	889	1.36	954	1.6	1016	1.84	1074	2.08
2232	1800	486	0.35	591	0.57	680	0.8	760	1.03	832	1.27	900	1.52	964	1.78	1024	2.04	1081	2.31
2480	2000	515	0.43	615	0.67	701	0.91	778	1.17	848	1.43	914	1.7	975	1.97	1034	2.26	1090	2.54
2728	2200	545	0.52	640	0.78	724	1.05	798	1.32	866	1.6	929	1.89	989	2.18	1047	2.48	1101	2.79
2976	2400	576	0.63	667	0.9	747	1.19	819	1.48	885	1.78	947	2.09	1006	2.41	1061	2.72	1114	3.05
3224	2600	608	0.75	695	1.04	772	1.35	842	1.66	906	1.9	967	2.31	1024	2.64	1078	2.98	1130	3.33
3472	2800	640	0.89	724	1.2	798	1.52	866	1.86	929	2.2	987	2.55	1043	2.9	1096	3.26	1147	3.62
3720	3000	673	1.04	754	1.37	825	1.72	891	2.07	952	2.43	1010	2.8	1064	3.17	1115	3.55	1165	3.93
3968	3200	706	1.21	784	1.57	854	1.93	917	2.3	976	2.68	1033	3.08	1086	3.47	1136	3.86	1184	4.27
4216	3400	740	1.41	815	1.78	882	2.16	944	2.55	1001	2.95	1056	3.36	1108	3.78	1158	4.2	1205	4.62
4464	3600	774	1.62	846	2.02	912	2.42	972	2.83	1027	3.24	1081	3.67	1132	4.11	1180	4.55	1227	5
4712	3800	809	1.86	878	2.28	942	2.7	1000	3.13	1055	3.56	1106	4.01	1156	4.46	1204	4.93	1250	5.39
4960	4000	844	2.13	911	2.56	972	3	1029	3.45	1082	3.91	1133	4.37	1181	4.84	1228	5.32	1273	5.81
5208	4200	879	2.42	944	2.87	1003	3.33	1059	3.8	1111	4.28	1160	4.76	1207	5.24	1252	5.74	1297	6.25
5456	4400	915	2.73	977	3.21	1035	3.69	1089	4.18	1140	4.67	1188	5.17	1234	5.67	1278	6.19	1321	6.71
5704	4600	951	3.07	1010	3.57	1067	4.07	1119	4.58	1169	5.1	1216	5.61	1261	6.14	1304	6.67	1346	7.21
5952	4800	987	3.45	1044	3.96	1099	4.49	1150	5.01	1199	5.55	1245	6.09	1289	6.63	1331	7.18	1372	7.73
6200	5000	1023	3.85	1079	4.38	1131	4.93	1181	5.48	1229	6.03	1274	6.59	1317	7.15	1359	7.72	1399	8.29

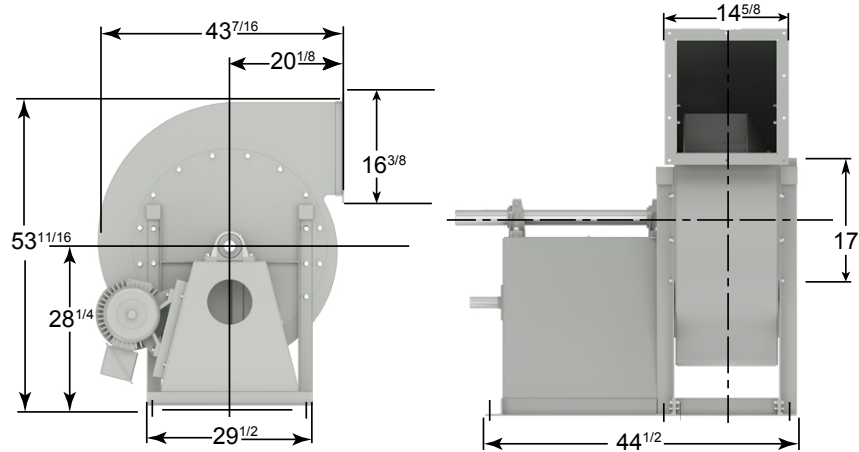
TYPE AH | 15 - 61

CFM	OV	5		5.5		6		6.5		7		7.5		8		8.5		9	
		RPM	BHP	RPM	BHP	RPM	BHP	RPM	BHP	RPM	BHP	RPM	BHP	RPM	BHP	RPM	BHP	RPM	BHP
1736	1400	1125	2.07	1179	2.3	1230	2.53	1280	2.77	1327	3.01	1373	3.26	1418	3.51	1461	3.77	1503	4.04
1984	1600	1130	2.32	1183	2.57	1234	2.82	1283	3.08	1330	3.34	1375	3.6	1420	3.87	1462	4.14	1504	4.41
2232	1800	1136	2.58	1188	2.85	1238	3.12	1287	3.4	1333	3.68	1379	3.96	1423	4.25	1465	4.53	1506	4.83
2480	2000	1143	2.84	1195	3.13	1245	3.43	1292	3.73	1339	4.03	1383	4.34	1427	4.64	1469	4.95	1510	5.26
2728	2200	1154	3.1	1204	3.42	1252	3.74	1300	4.06	1345	4.39	1389	4.72	1432	5.05	1474	5.38	1515	5.72
2976	2400	1166	3.38	1215	3.72	1263	4.06	1309	4.4	1353	4.75	1397	5.1	1439	5.46	1480	5.82	1521	6.18
3224	2600	1180	3.68	1228	4.03	1274	4.39	1320	4.76	1363	5.12	1406	5.5	1448	5.87	1488	6.25	1528	6.64
3472	2800	1195	3.99	1242	4.36	1288	4.74	1332	5.12	1375	5.51	1417	5.9	1458	6.3	1498	6.7	1537	7.1
3720	3000	1213	4.32	1259	4.71	1303	5.11	1347	5.51	1389	5.92	1430	6.33	1470	6.74	1509	7.16	1548	7.58
3968	3200	1231	4.67	1276	5.09	1320	5.5	1362	5.92	1404	6.34	1444	6.77	1483	7.21	1522	7.64	1560	8.09
4216	3400	1251	5.05	1295	5.48	1338	5.91	1380	6.35	1420	6.79	1460	7.24	1498	7.69	1536	8.15	1573	8.61
4464	3600	1272	5.44	1315	5.89	1357	6.34	1398	6.8	1438	7.27	1477	7.73	1514	8.2	1552	8.68	1588	9.15
4712	3800	1293	5.86	1336	6.33	1377	6.8	1417	7.25	1456	7.76	1495	8.25	1532	8.74	1568	9.23	1604	9.72
4960	4000	1316	6.3	1358	6.79	1398	7.28	1438	7.78	1476	8.28	1513	8.78	1550	9.29	1586	9.8	1621	10.32
5208	4200	1339	6.76	1380	7.28	1420	7.79	1459	8.31	1496	8.82	1533	9.35	1569	9.87	1605	10.41	1639	10.94
5456	4400	1363	7.25	1404	7.78	1443	8.32	1481	8.86	1518	9.4	1554	9.94	1589	10.49	1624	11.03	1658	11.59
5704	4600	1387	7.76	1427	8.32	1466	8.88	1504	9.44	1540	10	1576	10.56	1611	11.12	1645	11.69	1678	12.26
5952	4800	1412	8.3	1451	8.87	1490	9.45	1527	10.04	1563	10.62	1598	11.21	1632	11.79	1666	12.38	1699	12.97
6200	5000	1438	8.87	1476	9.46	1514	10.06	1550	10.67	1586	11.27	1621	11.88	1655	12.49	1688	13.1	1720	13.71
6443	5200	1465	9.48	1502	10.08	1539	10.7	1575	11.32	1610	11.95	1644	12.58	1678	13.21	1710	13.85	1742	14.48
6696	5400	1492	10.12	1528	10.74	1564	11.37	1599	12.01	1634	12.66	1668	13.31	1701	13.97	1733	14.62	1765	15.28
6944	5600	1520	10.8	1555	11.44	1590	12.08	1625	12.74	1659	13.4	1692	14.07	1725	14.75	1757	15.42	1788	16.1
7192	5800	1548	11.52	1583	12.18	1617	12.84	1651	13.5	1684	14.18	1717	14.87	1749	15.56	1780	16.26	1811	16.96
7440	6000	1576	12.27	1611	12.95	1645	13.63	1678	14.31	1710	15	1742	15.7	1774	16.41	1805	17.12	1835	17.84
7688	6200	1605	13.06	1639	13.76	1672	14.46	1705	15.16	1737	15.86	1768	16.57	1799	17.3	1829	18.03	1859	18.77
7936	6400	1634	13.89	1668	14.61	1700	15.32	1733	16.04	1764	16.77	1795	17.49	1825	18.23	1855	18.97	1884	19.73
8184	6600	1663	14.76	1696	15.5	1729	16.23	1761	16.97	1791	17.71	1822	18.46	1851	19.21	1881	19.97	1910	20.73

CFM	OV	10		11		12		13		14		15		16		17		18	
		RPM	BHP	RPM	BHP	RPM	BHP	RPM	BHP	RPM	BHP	RPM	BHP	RPM	BHP	RPM	BHP	RPM	BHP
2232	1800	1586	5.42	1662	6.03	1735	6.66	1804	7.3	1872	7.96	1936	8.64	1999	9.32	2060	10.03	-	-
2480	2000	1589	5.9	1664	6.54	1737	7.2	1806	7.87	1873	8.55	1937	9.25	2000	9.96	2061	10.69	-	-
2728	2200	1593	6.39	1668	7.07	1740	7.77	1809	8.47	1875	9.19	1939	9.91	2001	10.65	2062	11.41	2120	12.17
2976	2400	1598	6.9	1672	7.63	1744	8.36	1812	9.1	1878	9.85	1942	10.62	2004	11.39	2064	12.17	2122	12.97
3224	2600	1605	7.41	1678	8.19	1749	8.97	1817	9.75	1882	10.55	1945	11.35	2007	12.16	2067	12.98	2124	13.8
3472	2800	1612	7.92	1685	8.75	1755	9.58	1822	10.41	1887	11.25	1950	12.1	2011	12.95	2070	13.81	2128	14.67
3720	3000	1622	8.44	1693	9.31	1762	10.19	1829	11.08	1893	11.97	1955	12.86	2016	13.76	2075	14.66	2132	15.57
3968	3200	1633	8.98	1702	9.89	1771	10.8	1836	11.73	1900	12.67	1962	13.62	2022	14.57	2080	15.52	2137	16.48
4216	3400	1645	9.54	1714	10.48	1781	11.44	1846	12.41	1909	13.39	1970	14.38	2029	15.38	2087	16.38	2143	17.39
4464	3600	1658	10.12	1727	11.1	1793	12.1	1856	13.11	1918	14.12	1975	15.15	2037	16.19	2094	17.24	2150	18.3
4712	3800	1673	10.73	1740	11.74	1805	12.78	1868	13.82	1929	14.88	1989	15.95	2046	17.02	2103	18.11	2158	19.21
4960	4000	1689	11.36	1755	12.41	1819	13.48	1881	14.56	1941	15.66	2000	16.76	2057	17.88	2113	19	2167	20.14
5208	4200	1706	12.02	1771	13.11	1834	14.21	1895	15.33	1954	16.46	2012	17.6	2069	18.76	2124	19.92	2178	21.09
5456	4400	1724	12.71	1788	13.84	1850	14.98	1910	16.13	1966	17.29	2026	18.47	2081	19.66	2136	20.86	2189	22.07
5704	4600	1743	13.42	1806	14.59	1867	15.77	1926	16.96	1984	18.16	2040	19.37	2095	20.59	2149	21.83	2201	23.08
5952	4800	1763	14.16	1825	15.37	1885	16.59	1944	17.81	2000	19.05	2056	20.3	2110	21.56	2163	22.83	2215	24.11
6200	5000	1783	14.94	1844	16.18	1904	17.44	1961	18.7	2018	19.98	2072	21.26	2126	22.56	2178	23.87	2229	25.18
6448	5200	1805	15.75	1865	17.02	1923	18.32	1980	19.62	2035	20.94	2089	22.26	2142	23.89	2194	24.93	2244	26.29
6696	5400	1826	16.59	1886	17.9	1943	19.23	1999	20.57	2054	21.92	2107	23.29	2159	24.66	2210	26.04	2260	27.43
6944	5600	1849	17.46	1907	18.82	1964	20.18	2019	21.56	2073	22.95	2126	24.35	2177	25.76	2228	27.17	2277	28.6
7192	5800	1872	18.36	1930	19.76	1986	21.17	2040	22.58	2093	24.01	2145	25.44	2196	26.89	2246	28.34	2294	29.81
7440	6000	1895	19.29	1952	20.74	2008	22.19	2061	23.64	2114	25.1	2165	26.57	2215	28.06	2264	29.55	2313	31.05
7688	6200	1918	20.26	1975	21.75	2030	23.24	2083	24.74	2135	26.24	2186	27.75	2235	29.26	2284	30.79	2331	32.33
7936	6400	1942	21.25	1998	22.79	2053	24.33	2106	25.87	2157	27.4	2207	28.96	2256	30.51	2304	32.08	2350	33.65
8184	6600	1967	22.29	2022	23.87	2076	25.45	2128	27.04	2179	28.62	2228	30.21	2277	31.8	2324	33.4	2370	35.01

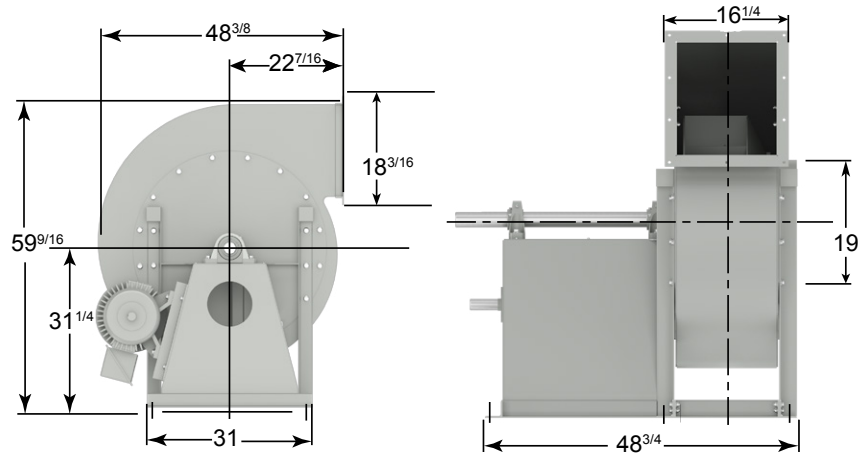
Performance certified is for Installation Type D: ducted inlet, ducted outlet. Performance ratings do not include the effects of appurtenances. Power rating (BHP) does not include transmission losses. Bold data shows fans maximum static efficiency.

TYPE AH | 17 - 61



CFM	OV	Static Pressure																					
		1		1.25		1.5		1.75		2		2.25		2.5		2.75		3		3.5		4	
		RPM	BHP	RPM	BHP	RPM	BHP	RPM	BHP	RPM	BHP	RPM	BHP	RPM	BHP	RPM	BHP	RPM	BHP	RPM	BHP	RPM	BHP
1590	970	468	0.39	516	0.48	560	0.58	602	0.68	640	0.79	-	-	-	-	-	-	-	-	-	-	-	-
1698	1035	473	0.42	519	0.52	564	0.62	605	0.73	643	0.83	679	0.94	715	1.06	-	-	-	-	-	-	-	-
1806	1101	479	0.45	525	0.56	567	0.66	608	0.77	646	0.88	682	1.00	716	1.11	750	1.23	-	-	-	-	-	-
1914	1167	484	0.48	530	0.59	572	0.70	611	0.81	649	0.93	685	1.05	719	1.17	752	1.30	783	1.42	-	-	-	-
2022	1233	490	0.52	535	0.63	577	0.75	615	0.86	653	0.99	689	1.11	723	1.24	755	1.36	786	1.49	846	1.76	-	-
2130	1299	497	0.56	541	0.67	582	0.79	621	0.92	656	1.04	692	1.17	726	1.30	758	1.43	789	1.56	847	1.83	-	-
2238	1365	504	0.60	546	0.72	588	0.84	626	0.97	661	1.09	695	1.22	729	1.36	761	1.50	792	1.64	850	1.92	905	2.21
2346	1430	511	0.64	553	0.76	593	0.89	631	1.02	667	1.16	700	1.29	732	1.42	764	1.57	795	1.71	854	2.01	908	2.31
2454	1496	518	0.68	560	0.81	598	0.94	637	1.08	672	1.22	706	1.36	737	1.50	768	1.64	798	1.79	857	2.10	911	2.40
2562	1562	525	0.73	567	0.86	605	1.00	642	1.14	677	1.28	711	1.43	742	1.57	773	1.72	802	1.87	860	2.18	914	2.50
2670	1628	533	0.78	574	0.92	612	1.06	647	1.20	683	1.35	716	1.50	748	1.65	778	1.80	807	1.96	863	2.27	917	2.60
2778	1694	541	0.82	582	0.97	619	1.12	654	1.26	688	1.41	722	1.57	753	1.73	783	1.88	812	2.04	866	2.36	920	2.70
2886	1760	550	0.88	589	1.03	627	1.18	662	1.34	694	1.49	727	1.65	758	1.81	788	1.97	817	2.13	871	2.46	924	2.81
2994	1826	559	0.93	597	1.09	634	1.25	669	1.41	701	1.56	732	1.72	764	1.89	794	2.06	823	2.23	877	2.57	927	2.91
3102	1891	567	0.99	605	1.15	641	1.32	676	1.48	708	1.64	739	1.81	769	1.97	799	2.15	828	2.32	882	2.67	932	3.02
3210	1957	576	1.05	614	1.22	648	1.38	683	1.56	715	1.72	746	1.89	775	2.06	805	2.24	833	2.42	887	2.78	938	3.15
3318	2023	585	1.11	622	1.28	656	1.46	690	1.63	723	1.81	753	1.98	782	2.16	810	2.33	839	2.52	893	2.90	943	3.27
3426	2089	594	1.17	631	1.35	665	1.53	698	1.72	730	1.90	760	2.07	789	2.26	817	2.44	844	2.62	898	3.01	948	3.39
3534	2155	603	1.24	640	1.43	673	1.61	705	1.80	737	1.99	767	2.17	796	2.36	824	2.55	850	2.73	903	3.12	954	3.52
3642	2221	613	1.31	648	1.50	682	1.69	714	1.89	744	2.07	775	2.27	803	2.46	831	2.65	857	2.84	909	3.24	959	3.65
3750	2287	622	1.38	657	1.57	691	1.78	722	1.97	752	2.18	782	2.37	811	2.57	838	2.77	864	2.96	914	3.36	964	3.78
3858	2352	632	1.45	666	1.66	700	1.87	731	2.07	760	2.27	789	2.47	818	2.68	845	2.88	871	3.08	921	3.49	970	3.92
3966	2418	642	1.53	675	1.74	708	1.95	739	2.16	769	2.37	797	2.59	825	2.79	852	3.00	879	3.21	928	3.63	975	4.05
4074	2484	652	1.61	685	1.83	717	2.04	748	2.26	777	2.47	805	2.69	832	2.90	860	3.13	886	3.34	935	3.76	981	4.19
4182	2550	662	1.70	695	1.92	726	2.14	757	2.36	786	2.58	813	2.80	840	3.03	867	3.25	893	3.47	942	3.90	988	4.34
4290	2616	672	1.79	705	2.01	735	2.24	766	2.47	794	2.69	822	2.92	848	3.15	874	3.37	900	3.60	949	4.05	995	4.50
4398	2682	682	1.88	714	2.10	745	2.34	774	2.57	803	2.80	830	3.03	856	3.27	882	3.51	907	3.73	956	4.19	1002	4.66
4506	2748	692	1.97	724	2.21	754	2.44	783	2.68	812	2.92	839	3.16	865	3.40	890	3.64	915	3.88	964	4.36	1010	4.83
4614	2813	702	2.07	734	2.31	764	2.55	792	2.79	821	3.04	848	3.29	874	3.54	898	3.77	922	4.02	971	4.51	1017	5.00
4722	2879	712	2.17	744	2.42	774	2.67	802	2.92	830	3.17	856	3.41	882	3.66	907	3.92	931	4.17	978	4.66	1024	5.17
4830	2945	723	2.28	754	2.53	784	2.79	811	3.03	839	3.30	865	3.55	891	3.81	915	4.05	939	4.31	986	4.83	1031	5.34
4938	3011	733	2.38	764	2.64	793	2.90	821	3.16	847	3.42	874	3.68	900	3.95	924	4.21	948	4.47	993	5.00	1038	5.51
5046	3077	744	2.50	774	2.76	803	3.02	831	3.30	857	3.56	883	3.83	908	4.09	933	4.36	956	4.62	1001	5.16	1046	5.70
5154	3143	755	2.63	785	2.89	813	3.15	841	3.43	867	3.70	892	3.97	917	4.24	941	4.51	965	4.79	1009	5.33	1053	5.88

TYPE AH | 19 - 61



CFM	OV	STATIC PRESSURE																	
		0.5		1		1.5		2		2.5		3		3.5		4		4.5	
		RPM	BHP	RPM	BHP	RPM	BHP	RPM	BHP	RPM	BHP	RPM	BHP	RPM	BHP	RPM	BHP	RPM	BHP
1970	1000	308	0.23	410	0.45	494	0.69	566	0.93	631	1.18	690	1.44	744	1.72	795	2	843	2.3
2364	1200	325	0.3	421	0.54	501	0.81	571	1.09	635	1.38	693	1.68	746	1.98	797	2.29	844	2.61
2758	1400	343	0.37	435	0.65	511	0.95	579	1.26	640	1.59	697	1.92	750	2.26	800	2.6	846	2.95
3152	1600	363	0.46	450	0.77	524	1.1	589	1.45	648	1.8	704	2.17	755	2.55	804	2.93	850	3.32
3546	1800	385	0.57	468	0.91	539	1.27	601	1.65	659	2.03	712	2.43	763	2.84	810	3.26	856	3.69
3940	2000	408	0.69	487	1.07	555	1.46	616	1.86	671	2.28	723	2.71	772	3.15	819	3.6	863	4.06
4334	2200	432	0.84	507	1.24	573	1.67	631	2.11	685	2.55	736	3.01	783	3.48	829	3.96	872	4.45
4728	2400	456	1	528	1.44	591	1.9	649	2.37	701	2.85	750	3.34	796	3.84	840	4.35	882	4.87
5122	2600	481	1.2	551	1.66	611	2.15	667	2.66	718	3.17	765	3.69	810	4.22	853	4.76	894	5.31
5516	2800	508	1.41	573	1.91	632	2.43	686	2.96	735	3.51	782	4.07	826	4.63	868	5.2	908	5.78
5910	3000	533	1.66	597	2.19	653	2.74	705	3.3	754	3.88	799	4.47	842	5.07	883	5.37	922	6.28
6304	3200	559	1.94	621	2.5	676	3.08	726	3.67	773	4.28	817	4.91	859	5.53	899	6.17	938	6.81
6698	3400	586	2.25	645	2.85	699	3.45	747	4.07	793	4.71	836	5.37	877	6.03	917	6.7	954	7.37
7092	3600	613	2.59	670	3.22	722	3.86	769	4.51	813	5.18	856	5.86	896	6.56	935	7.27	971	7.97
7486	3800	640	2.97	695	3.64	746	4.31	792	4.99	835	5.69	876	6.39	915	7.12	953	7.86	989	8.6
7880	4000	668	3.39	721	4.09	770	4.79	815	5.51	857	6.23	897	6.97	935	7.72	972	8.49	1008	9.27
8274	4200	696	3.85	747	4.58	794	5.32	838	6.07	879	6.82	918	7.59	955	8.36	991	9.16	1026	9.97
8668	4400	724	4.36	773	5.12	819	5.89	862	6.67	902	7.45	940	8.25	977	9.05	1012	9.87	1046	10.71
9062	4600	753	4.91	800	5.7	844	6.5	886	7.31	925	8.13	963	8.96	998	9.79	1033	10.63	1066	11.5
9456	4800	781	5.5	827	6.32	870	7.16	910	8	949	8.85	986	9.71	1021	10.58	1054	11.45	1086	12.33
9850	5000	810	6.15	854	7	896	7.86	935	8.74	973	9.62	1009	10.51	1043	11.41	1076	12.32	1108	13.23

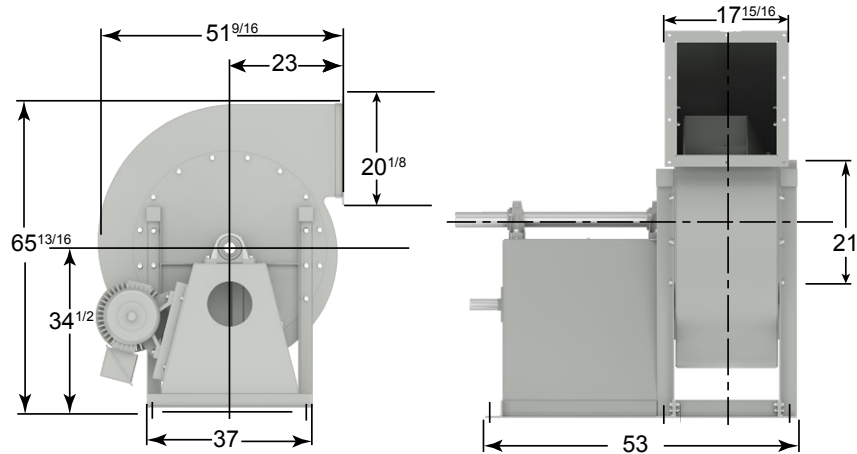
TYPE AH | 19 - 61

CFM	OV	5		5.5		6		6.5		7		7.5		8		8.5		9	
		RPM	BHP	RPM	BHP	RPM	BHP	RPM	BHP	RPM	BHP	RPM	BHP	RPM	BHP	RPM	BHP	RPM	BHP
2758	1400	891	3.31	933	3.67	974	4.04	1013	4.42	1051	4.81	1087	5.2	1122	5.61	1157	6.02	1190	6.44
3152	1600	894	3.71	936	4.1	977	4.5	1015	4.91	1053	5.32	1089	5.74	1124	6.17	1158	6.6	1191	7.04
3546	1800	899	4.12	941	4.55	980	4.99	1019	5.43	1056	5.87	1091	6.32	1126	6.77	1160	7.23	1193	7.7
3940	2000	905	4.53	946	5	985	5.48	1023	5.96	1060	6.44	1095	6.92	1130	7.41	1163	7.9	1195	8.4
4334	2200	913	4.95	953	5.45	992	5.97	1029	6.49	1065	7.01	1100	7.53	1134	8.06	1167	8.59	1199	9.12
4728	2400	923	5.39	962	5.93	999	6.47	1036	7.02	1071	7.58	1106	8.14	1139	8.71	1172	9.28	1204	9.86
5122	2600	934	5.87	972	6.43	1009	7.01	1045	7.59	1079	8.18	1113	8.77	1146	9.37	1178	9.98	1210	10.59
5516	2800	946	6.37	984	6.96	1020	7.56	1055	8.18	1089	8.79	1122	9.42	1154	10.05	1186	10.69	1217	11.33
5910	3000	960	6.9	996	7.52	1032	8.15	1066	8.79	1099	9.44	1132	10.1	1164	10.76	1195	11.43	1225	12.1
6304	3200	975	7.46	1010	8.11	1045	8.78	1079	9.45	1111	10.12	1143	10.81	1174	11.5	1205	12.2	1235	12.9
6698	3400	990	8.05	1025	8.74	1059	9.43	1092	10.13	1124	10.84	1156	11.55	1186	12.27	1216	13	1245	13.73
7092	3600	1007	8.68	1041	9.4	1074	10.12	1107	10.86	1138	11.59	1169	12.34	1199	13.09	1228	13.84	1258	14.6
7486	3800	1024	9.35	1058	10.1	1090	10.85	1122	11.61	1153	12.38	1183	13.16	1213	13.94	1242	14.72	1270	15.52
7880	4000	1042	10.05	1075	10.83	1107	11.62	1138	12.41	1168	13.21	1198	14.01	1227	14.83	1256	15.64	1283	16.47
8274	4200	1060	10.79	1093	11.61	1124	12.43	1155	13.25	1185	14.08	1214	14.91	1242	15.76	1270	16.6	1298	17.46
8668	4400	1079	11.56	1111	12.42	1142	13.28	1172	14.13	1202	14.99	1230	15.86	1258	16.73	1286	17.61	1313	18.49
9062	4600	1098	12.38	1130	13.27	1161	14.16	1190	15.06	1219	15.95	1247	16.85	1275	17.75	1302	18.66	1328	19.57
9456	4800	1118	13.24	1149	14.16	1179	15.09	1209	16.02	1237	16.95	1265	17.88	1292	18.82	1319	19.75	1345	20.7
9850	5000	1139	14.15	1169	15.1	1198	16.05	1227	17.02	1256	17.99	1283	18.96	1310	19.93	1336	20.09	1362	21.87
10244	5200	1160	15.12	1189	16.09	1218	17.07	1247	18.07	1274	19.07	1302	20.08	1328	21.08	1354	22.09	1379	23.1
10638	5400	1181	16.15	1210	17.14	1238	18.15	1266	19.17	1293	20.2	1320	21.24	1346	22.28	1372	23.33	1397	24.37
11032	5600	1203	17.24	1231	18.26	1259	19.28	1286	20.32	1313	21.38	1339	22.45	1365	23.53	1391	24.61	1415	25.69
11426	5800	1225	18.38	1253	19.43	1280	20.48	1307	21.54	1333	22.62	1359	23.72	1384	24.83	1409	25.94	1434	27.06
11820	6000	1248	19.58	1275	20.66	1302	21.74	1328	22.83	1354	23.93	1379	25.05	1404	26.18	1429	27.32	1453	28.47
12214	6200	1270	20.84	1298	21.95	1324	23.07	1350	24.18	1375	25.31	1400	26.45	1424	27.6	1448	28.77	1472	29.94
12608	6400	1293	22.17	1320	23.31	1346	24.45	1372	25.6	1396	26.75	1421	27.91	1445	29.09	1468	30.28	1492	31.48
13002	6600	1317	23.55	1343	24.72	1369	25.9	1394	27.08	1418	28.27	1442	29.45	1466	30.65	1489	31.86	1512	33.08

CFM	OV	10		11		12		13		14		15		16		17		18	
		RPM	BHP	RPM	BHP	RPM	BHP	RPM	BHP	RPM	BHP	RPM	BHP	RPM	BHP	RPM	BHP	RPM	BHP
3546	1800	1256	8.65	1316	9.62	1373	10.62	1428	11.65	1482	12.7	1533	13.78	1582	14.88	1630	16	-	-
3940	2000	1258	9.41	1318	10.43	1375	11.48	1430	12.55	1483	13.64	1534	14.76	1583	15.9	1631	17.06	-	-
4334	2200	1261	10.2	1320	11.29	1377	12.39	1432	13.51	1484	14.66	1535	15.82	1584	17	1632	18.2	1678	19.42
4728	2400	1265	11.01	1324	12.17	1380	13.34	1435	14.52	1487	15.72	1537	16.94	1586	18.17	1634	19.42	1680	20.69
5122	2600	1270	11.82	1329	13.06	1384	14.31	1438	15.56	1490	16.83	1540	18.11	1589	19.4	1636	20.7	1682	22.02
5516	2800	1277	12.63	1334	13.95	1389	15.28	1442	16.62	1494	17.96	1544	19.3	1592	20.66	1639	22.03	1685	23.41
5910	3000	1284	13.47	1340	14.85	1395	16.25	1448	17.67	1499	19.09	1548	20.52	1596	21.95	1643	23.39	1688	24.84
6304	3200	1293	14.33	1348	15.77	1402	17.24	1454	18.72	1504	20.22	1553	21.73	1601	23.25	1647	24.76	1692	26.29
6698	3400	1302	15.22	1357	16.73	1410	18.26	1461	19.8	1511	21.36	1559	22.94	1606	24.54	1652	26.14	1697	27.74
7092	3600	1313	16.15	1367	17.71	1419	19.3	1470	20.91	1519	22.54	1566	24.18	1613	25.83	1658	27.51	1702	29.19
7486	3800	1325	17.12	1378	18.74	1429	20.39	1479	22.05	1527	23.74	1574	25.44	1620	27.16	1665	28.9	1708	30.65
7880	4000	1337	18.13	1390	19.81	1440	21.51	1489	23.24	1537	24.98	1583	26.75	1628	28.53	1673	30.32	1716	32.13
8274	4200	1351	19.18	1402	20.92	1452	22.68	1500	24.46	1547	26.27	1593	28.09	1638	29.93	1681	31.78	1724	33.66
8668	4400	1365	20.27	1416	22.08	1465	23.9	1512	25.73	1559	27.59	1604	29.47	1648	31.37	1691	33.29	1733	35.22
9062	4600	1380	21.41	1430	23.28	1478	25.16	1525	27.06	1571	28.97	1615	30.91	1659	32.86	1701	34.83	1743	36.82
9456	4800	1396	22.6	1445	24.52	1492	26.47	1539	28.42	1584	30.4	1627	32.39	1670	34.4	1712	36.43	1753	38.48
9850	5000	1412	23.84	1460	25.82	1507	27.82	1553	29.84	1597	31.88	1640	33.93	1683	36	1724	38.08	1764	40.18
10244	5200	1429	25.12	1476	27.16	1522	29.22	1568	31.31	1611	33.4	1654	35.52	1696	37.64	1737	39.78	1777	41.94
10638	5400	1446	26.46	1493	28.57	1538	30.68	1583	32.82	1626	34.98	1668	37.15	1710	39.34	1750	41.54	1789	43.76
11032	5600	1464	27.85	1510	30.02	1555	32.2	1599	34.4	1641	36.61	1683	38.84	1724	41.09	1764	43.36	1803	45.63
11426	5800	1482	29.29	1528	31.53	1572	33.77	1615	36.03	1657	38.3	1698	40.59	1738	42.9	1778	45.22	1816	47.56
11820	6000	1500	30.78	1545	33.09	1589	35.4	1632	37.72	1673	40.05	1714	42.4	1754	44.76	1793	47.15	1831	49.54
12214	6200	1519	32.32	1564	34.7	1607	37.09	1649	39.47	1690	41.87	1730	44.27	1769	46.69	1808	49.13	1846	51.58
12608	6400	1538	33.91	1582	36.37	1625	38.82	1667	41.28	1708	43.74	1747	46.21	1786	48.69	1824	51.18	1861	53.69
13002	6600	1557	35.57	1601	38.08	1643	40.61	1685	43.14	1725	45.67	1764	48.2	1802	50.74	1840	53.3	1877	55.86

Performance certified is for Installation Type D: ducted inlet, ducted outlet. Performance ratings do not include the effects of appurtenances. Power rating (BHP) does not include transmission losses. Bold data shows fans maximum static efficiency.

TYPE AH | 21 - 61



CFM	OV	STATIC PRESSURE																	
		0.5		1		1.5		2		2.5		3		3.5		4		4.5	
		RPM	BHP	RPM	BHP	RPM	BHP	RPM	BHP	RPM	BHP	RPM	BHP	RPM	BHP	RPM	BHP	RPM	BHP
2410	1000	280	0.28	372	0.54	448	0.81	514	1.09	574	1.4	629	1.71	-	-	-	-	-	-
2892	1200	295	0.36	383	0.66	454	0.98	518	1.3	576	1.63	630	1.97	679	2.34	726	2.71	-	-
3374	1400	313	0.45	395	0.79	465	1.15	525	1.52	581	1.9	633	2.27	681	2.66	727	3.06	770	3.48
3856	1600	331	0.56	410	0.94	477	1.34	535	1.75	589	2.17	638	2.6	685	3.03	730	3.46	772	3.9
4338	1800	351	0.69	426	1.11	490	1.55	547	2	599	2.46	647	2.93	692	3.41	735	3.89	776	4.38
4820	2000	371	0.85	444	1.3	505	1.78	560	2.27	611	2.77	658	3.28	701	3.8	743	4.33	783	4.87
5302	2200	393	1.02	462	1.52	521	2.04	575	2.56	624	3.11	670	3.66	712	4.22	753	4.79	792	5.37
5784	2400	415	1.22	481	1.77	539	2.32	590	2.89	638	3.47	682	4.06	724	4.66	764	5.27	802	5.89
6266	2600	437	1.45	501	2.04	557	2.63	607	3.24	653	3.86	696	4.49	737	5.13	776	5.78	814	6.44
6748	2800	460	1.72	522	2.34	576	2.98	624	3.63	669	4.28	711	4.95	751	5.63	790	6.33	826	7.02
7230	3000	483	2.01	543	2.68	595	3.36	643	4.05	686	4.74	727	5.45	766	6.17	804	6.9	839	7.64
7712	3200	507	2.35	565	3.06	615	3.78	662	4.51	704	5.24	744	5.99	782	6.74	818	7.51	853	8.29
8194	3400	531	2.72	587	3.47	636	4.23	681	5	723	5.78	762	6.57	799	7.36	834	8.16	868	8.98
8676	3600	555	3.13	609	3.92	657	4.73	701	5.54	741	6.36	780	7.19	816	8.02	851	8.86	884	9.71
9158	3800	580	3.59	632	4.42	679	5.27	721	6.12	761	6.98	798	7.85	834	8.72	868	9.6	900	10.49
9640	4000	605	4.09	655	4.97	700	5.85	742	6.75	781	7.65	817	8.56	852	9.47	885	10.39	917	11.32
10122	4200	630	4.63	678	5.56	722	6.48	763	7.42	801	8.36	837	9.31	871	10.27	904	11.23	935	12.2
10604	4400	655	5.23	702	6.2	745	7.17	784	8.15	821	9.13	857	10.12	890	11.12	922	12.12	953	13.13
11086	4600	680	5.88	725	6.89	767	7.91	806	8.92	842	9.95	877	10.98	910	12.02	941	13.06	972	14.11
11568	4800	705	6.59	749	7.64	790	8.7	828	9.76	864	10.82	897	11.9	930	12.97	961	14.06	990	15.15
12050	5000	731	7.35	774	8.45	813	9.55	850	10.65	885	11.75	918	12.87	950	13.99	980	15.11	1010	16.25

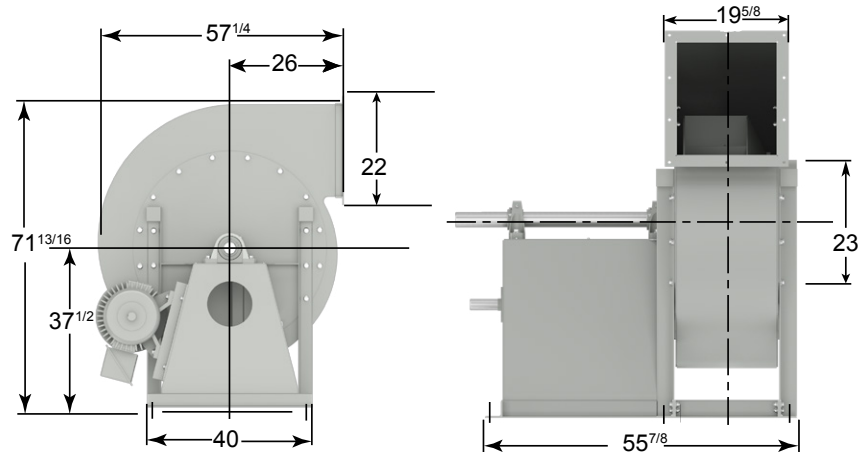
TYPE AH | 21 - 61

CFM	OV	5		5.5		6		6.5		7		7.5		8		8.5		9	
		RPM	BHP	RPM	BHP	RPM	BHP	RPM	BHP	RPM	BHP	RPM	BHP	RPM	BHP	RPM	BHP	RPM	BHP
3374	1400	811	3.91	851	4.35	-	-	-	-	-	-	-	-	-	-	-	-	-	-
3856	1600	813	4.36	852	4.83	889	5.31	925	5.8	959	6.3	-	-	-	-	-	-	-	-
4338	1800	816	4.86	854	5.35	890	5.86	926	6.38	960	6.91	993	7.45	1025	8	-	-	-	-
4820	2000	821	5.4	858	5.94	894	6.48	928	7.02	962	7.57	995	8.13	1027	8.71	1057	9.3	1088	9.9
5302	2200	829	5.95	865	6.54	899	7.13	933	7.72	966	8.31	998	8.9	1029	9.49	1059	10.1	1089	10.72
5784	2400	838	6.52	873	7.14	907	7.78	940	8.42	972	9.06	1003	9.71	1034	10.35	1063	10.99	1092	11.63
6266	2600	849	7.11	883	7.78	916	8.46	948	9.14	980	9.82	1010	10.52	1040	11.21	1069	11.9	1097	12.6
6748	2800	861	7.73	895	8.44	927	9.16	958	9.89	989	10.61	1019	11.35	1048	12.08	1076	12.83	1104	13.57
7230	3000	874	8.38	907	9.14	939	9.9	969	10.66	999	11.43	1029	12.21	1057	12.99	1085	13.77	1112	14.56
7712	3200	887	9.07	919	9.87	951	10.67	981	11.47	1011	12.28	1040	13.1	1068	13.92	1095	14.75	1121	15.58
8194	3400	901	9.8	933	10.64	964	11.47	994	12.32	1023	13.17	1051	14.03	1079	14.89	1106	15.76	1132	16.63
8676	3600	916	10.57	947	11.44	978	12.32	1007	13.21	1036	14.1	1064	15	1091	15.9	1117	16.81	1143	17.72
9158	3800	932	11.39	962	12.3	992	13.21	1021	14.14	1049	15.07	1077	16.01	1104	16.95	1130	17.89	1155	18.85
9640	4000	948	12.26	978	13.2	1007	14.15	1036	15.12	1063	16.08	1090	17.06	1117	18.04	1143	19.03	1168	20.02
10122	4200	965	13.17	995	14.16	1023	15.15	1051	16.14	1078	17.15	1105	18.16	1131	19.18	1156	20.21	1181	21.24
10604	4400	983	14.14	1012	15.16	1040	16.19	1067	17.23	1093	18.27	1120	19.23	1145	20.37	1170	21.44	1195	22.51
11086	4600	1001	15.17	1029	16.23	1057	17.29	1083	18.36	1109	19.44	1135	20.53	1160	21.62	1185	22.72	1209	23.83
11568	4800	1019	16.25	1047	17.35	1074	18.45	1100	19.56	1126	20.68	1151	21.8	1176	22.93	1200	24.07	1224	25.21
12050	5000	1038	17.38	1065	18.52	1092	19.67	1118	20.82	1143	21.97	1168	23.13	1192	24.3	1216	25.47	1239	26.65
12532	5200	1057	18.58	1084	19.76	1110	20.94	1136	22.13	1161	23.33	1185	24.52	1209	25.73	1232	26.94	1255	28.15
13014	5400	1076	19.83	1103	21.06	1129	22.28	1154	23.51	1179	24.74	1203	25.98	1226	27.22	1249	28.47	1272	29.72
13496	5600	1096	21.16	1122	22.42	1148	23.69	1173	24.96	1197	26.23	1221	27.51	1244	28.79	1266	30.07	1289	31.36
13978	5800	1116	22.54	1142	23.85	1167	25.15	1191	26.47	1215	27.78	1239	29.1	1262	30.42	1284	31.74	1306	33.07
14460	6000	1136	24	1162	25.34	1186	26.69	1210	28.04	1234	29.4	1257	30.76	1280	32.12	1302	33.48	1324	34.85
14942	6200	1157	25.53	1182	26.91	1206	28.3	1230	29.69	1253	31.09	1276	32.49	1298	33.89	1320	35.29	1342	36.7
15424	6400	1178	27.13	1202	28.56	1226	29.98	1249	31.41	1272	32.85	1295	34.29	1317	35.73	1339	37.18	1360	38.62
15906	6600	1199	28.81	1223	30.27	1246	31.74	1269	33.21	1292	34.69	1314	36.17	1336	37.65	1357	39.14	1378	40.62

CFM	OV	10		11		12		13		14		15		16		17		18	
		RPM	BHP	RPM	BHP	RPM	BHP	RPM	BHP	RPM	BHP	RPM	BHP	RPM	BHP	RPM	BHP	RPM	BHP
4820	2000	1145	11.12	-	-	-	-	-	-	-	-	-	-	-	-	-	-	-	-
5302	2200	1146	12	1201	13.31	1254	14.64	1304	16	-	-	-	-	-	-	-	-	-	-
5784	2400	1149	12.94	1203	14.29	1255	15.7	1305	17.12	1353	18.57	1400	20.04	-	-	-	-	-	-
6266	2600	1152	13.99	1206	15.39	1257	16.18	1306	18.29	1354	19.8	1401	21.34	1446	22.89	-	-	-	-
6748	2800	1158	15.07	1210	16.56	1260	18.05	1309	19.56	1356	21.1	1402	22.68	1447	24.31	1490	25.95	1533	27.61
7230	3000	1165	16.14	1216	17.75	1265	19.34	1313	20.94	1360	22.53	1405	24.15	1449	25.79	1492	27.48	1534	29.21
7712	3200	1173	17.25	1223	18.93	1272	20.63	1319	22.34	1364	24.03	1409	25.73	1452	27.43	1495	29.15	1536	30.89
8194	3400	1183	18.38	1232	20.15	1279	21.93	1326	23.73	1370	25.53	1414	27.34	1457	29.14	1499	30.93	1539	32.73
8676	3600	1194	19.55	1242	21.41	1288	23.27	1334	25.15	1378	27.04	1421	28.94	1463	30.85	1504	32.76	1544	34.65
9158	3800	1205	20.76	1253	22.7	1298	24.65	1343	26.61	1386	28.58	1428	30.57	1470	32.56	1510	34.57	1550	36.58
9640	4000	1217	22.02	1264	24.03	1309	26.06	1353	28.11	1396	30.16	1437	32.23	1478	34.31	1518	36.4	1556	38.5
10122	4200	1229	23.32	1276	25.41	1321	27.52	1364	29.65	1406	31.78	1447	33.93	1487	36.1	1526	38.27	1564	40.45
10604	4400	1242	24.66	1288	26.84	1333	29.03	1376	31.23	1417	33.45	1458	35.68	1497	37.93	1536	40.18	1573	42
11086	4600	1256	26.06	1301	28.13	1345	30.58	1388	32.87	1429	35.17	1469	37.48	1508	39.8	1546	42.14	1583	44.48
11568	4800	1270	27.52	1315	29.84	1358	32.19	1400	34.55	1441	36.93	1481	39.33	1519	41.73	1557	44.15	1594	46.57
12050	5000	1285	29.03	1329	31.43	1372	33.86	1413	36.3	1453	38.75	1493	41.22	1531	43.71	1568	46.21	1605	48.71
12532	5200	1300	30.61	1343	33.08	1386	35.58	1427	38.1	1466	40.63	1505	43.18	1543	45.74	1580	48.32	1616	50.9
13014	5400	1316	32.35	1358	34.8	1400	37.37	1440	39.96	1480	42.57	1518	45.2	1556	47.84	1592	50.49	1628	53.15
13496	5600	1332	33.96	1374	36.58	1415	39.22	1455	41.89	1494	44.57	1532	47.27	1569	49.99	1605	52.72	1640	55.46
13978	5800	1349	35.74	1390	38.43	1430	41.15	1470	43.89	1508	46.64	1546	49.42	1582	52.21	1618	55.02	1653	57.84
14460	6000	1366	37.6	1407	40.36	1446	43.15	1485	45.96	1523	48.79	1560	51.63	1596	54.5	1631	57.38	1666	60.28
14942	6200	1383	39.52	1423	42.36	1463	45.22	1501	48.1	1538	51	1575	53.92	1610	56.86	1645	59.82	1680	62.79
15424	6400	1401	41.53	1441	44.44	1479	47.38	1517	50.33	1554	53.3	1590	56.29	1625	59.3	1660	62.33	1693	65.37
15906	6600	1409	43.6	1458	46.6	1496	49.61	1534	52.63	1570	55.67	1605	58.73	1640	61.81	1674	64.91	1708	68.03

Performance certified is for Installation Type D: ducted inlet, ducted outlet. Performance ratings do not include the effects of appurtenances. Power rating (BHP) does not include transmission losses. Bold data shows fans maximum static efficiency.

TYPE AH | 23 - 61



CFM	OV	STATIC PRESSURE																	
		0.5		1		1.5		2		2.5		3		3.5		4		4.5	
		RPM	BHP	RPM	BHP	RPM	BHP	RPM	BHP	RPM	BHP	RPM	BHP	RPM	BHP	RPM	BHP	RPM	BHP
2900	1000	256	0.34	339	0.65	409	0.98	469	1.31	524	1.68	574	2.06	-	-	-	-	-	-
3480	1200	270	0.43	349	0.79	415	1.17	473	1.56	526	1.95	575	2.37	620	2.81	662	3.26	-	-
4060	1400	285	0.55	361	0.95	424	1.38	479	1.82	530	2.28	577	2.73	621	3.19	663	3.68	703	4.18
4640	1600	302	0.68	374	1.13	435	1.61	489	2.1	537	2.61	583	3.12	625	3.64	666	4.16	705	4.68
5220	1800	320	0.83	389	1.34	447	1.86	499	2.4	547	2.96	590	3.52	632	4.09	671	4.68	708	5.26
5800	2000	339	1.02	405	1.57	461	2.14	511	2.73	557	3.33	600	3.94	640	4.57	678	5.2	714	5.84
6380	2200	358	1.23	422	1.83	476	2.44	524	3.08	569	3.73	611	4.4	650	5.07	687	5.75	722	6.45
6960	2400	378	1.47	439	2.12	492	2.79	539	3.47	582	4.16	623	4.88	661	5.6	697	6.33	732	7.08
7540	2600	399	1.75	458	2.45	508	3.16	554	3.89	596	4.63	635	5.39	673	6.16	708	6.95	742	7.74
8120	2800	420	2.06	476	2.81	526	3.58	570	4.36	611	5.14	649	5.95	686	6.77	720	7.6	754	8.44
8700	3000	441	2.42	496	3.22	543	4.04	587	4.86	626	5.7	664	6.55	699	7.41	733	8.29	766	9.17
9280	3200	463	2.82	515	3.67	562	4.54	604	5.41	643	6.3	679	7.19	714	8.1	747	9.02	779	9.95
9860	3400	485	3.27	536	4.17	580	5.08	621	6.01	659	6.94	695	7.89	729	8.84	761	9.81	792	10.78
10440	3600	507	3.76	556	4.71	600	5.68	639	6.65	677	7.64	712	8.63	745	9.63	776	10.64	807	11.66
11020	3800	529	4.31	577	5.31	619	6.32	658	7.35	694	8.38	729	9.43	761	10.48	792	11.53	822	12.6
11600	4000	552	4.91	598	5.96	639	7.03	677	8.1	712	9.18	746	10.28	778	11.38	808	12.48	837	13.6
12180	4200	574	5.57	619	6.67	659	7.79	696	8.91	731	10.04	763	11.19	795	12.34	825	13.49	853	14.65
12760	4400	597	6.28	640	7.45	680	8.61	716	9.78	750	10.96	782	12.15	812	13.35	842	14.56	870	15.77
13340	4600	620	7.07	662	8.28	700	9.49	736	10.72	769	11.95	800	13.19	830	14.44	859	15.69	887	16.95
13920	4800	644	7.91	684	9.18	721	10.45	756	11.72	788	13	819	14.29	848	15.58	876	16.89	904	18.2
14500	5000	667	8.83	706	10.15	742	11.47	776	12.79	808	14.12	838	15.45	867	16.8	894	18.15	921	19.51

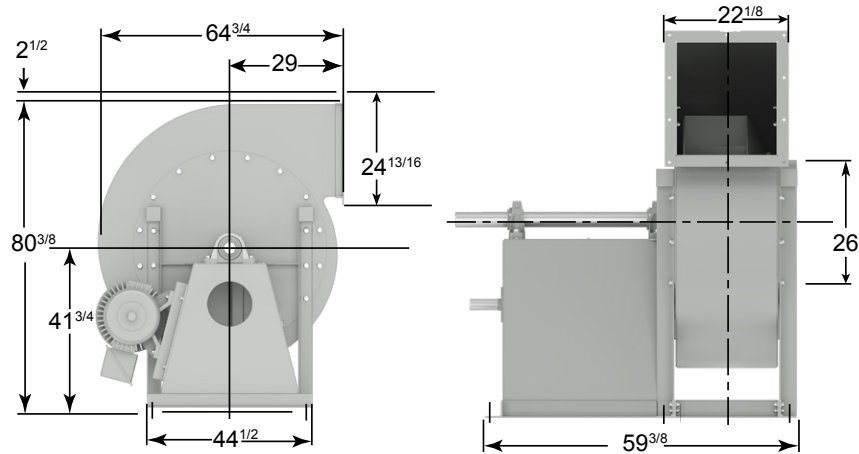
TYPE AH | 23 - 61

CFM	OV	5		5.5		6		6.5		7		7.5		8		8.5		9	
		RPM	BHP	RPM	BHP	RPM	BHP	RPM	BHP	RPM	BHP	RPM	BHP	RPM	BHP	RPM	BHP	RPM	BHP
4060	1400	740	4.7	776	5.23	-	-	-	-	-	-	-	-	-	-	-	-	-	-
4640	1600	742	5.23	777	5.8	811	6.38	844	6.97	875	7.57	-	-	-	-	-	-	-	-
5220	1800	744	5.84	779	6.43	812	7.04	845	7.66	876	8.3	906	8.95	936	9.61	-	-	-	-
5800	2000	749	6.49	783	7.14	816	7.78	847	8.43	878	9.09	908	9.77	937	10.46	965	11.17	992	11.89
6380	2200	756	7.14	789	7.85	821	8.56	852	9.27	881	9.98	911	10.68	939	11.4	967	12.13	994	12.87
6960	2400	765	7.83	797	8.58	828	9.34	858	10.11	887	10.88	915	11.66	943	12.43	970	13.2	997	13.97
7540	2600	775	8.54	806	9.34	836	10.16	865	10.98	894	11.8	922	12.63	949	13.46	975	14.3	1001	15.14
8120	2800	786	9.28	816	10.14	846	11	874	11.87	902	12.75	929	13.63	956	14.51	982	15.4	1007	16.3
8700	3000	797	10.07	827	10.97	856	11.89	885	12.81	912	13.73	939	14.66	964	15.6	990	16.54	1015	17.48
9280	3200	809	10.9	839	11.85	868	12.81	895	13.78	922	14.75	949	15.73	974	16.72	999	17.71	1023	18.71
9860	3400	822	11.77	851	12.77	880	13.78	907	14.8	933	15.82	959	16.85	984	17.88	1009	18.93	1033	19.97
10440	3600	836	12.7	864	13.74	892	14.8	919	15.36	945	16.92	971	18.01	995	19.09	1020	20.18	1043	21.28
11020	3800	850	13.68	878	14.77	905	15.87	932	16.98	957	18.1	983	19.22	1007	20.35	1031	21.49	1054	22.63
11600	4000	865	14.72	893	15.85	919	17	945	18.15	970	19.32	995	20.49	1019	21.67	1043	22.85	1066	24.04
12180	4200	881	15.82	908	17	934	18.19	959	19.39	984	20.6	1008	21.81	1032	23.04	1055	24.27	1078	25.51
12760	4400	897	16.99	923	18.21	949	19.44	973	20.69	998	21.94	1022	23.2	1045	24.47	1068	25.75	1090	27.03
13340	4600	913	18.22	939	19.49	964	20.77	989	22.05	1012	23.35	1036	24.65	1059	25.97	1081	27.29	1103	28.62
13920	4800	930	19.51	955	20.83	980	22.16	1004	23.49	1028	24.83	1050	26.18	1073	27.54	1095	28.9	1117	30.28
14500	5000	947	20.88	972	22.25	997	23.62	1020	25	1043	26.39	1066	27.78	1088	29.18	1109	30.59	1131	32.01
15080	5200	964	22.31	989	23.73	1013	25.15	1036	26.58	1059	28.01	1081	29.45	1103	30.9	1124	32.35	1145	33.81
15660	5400	982	23.82	1006	25.29	1030	26.76	1053	28.24	1076	29.72	1097	31.2	1116	32.7	1140	34.19	1160	35.7
16240	5600	1000	25.41	1024	26.92	1047	28.45	1070	29.97	1092	31.5	1114	33.03	1135	34.57	1156	36.12	1176	37.67
16820	5800	1018	27.07	1042	28.64	1065	30.21	1087	31.79	1109	33.36	1130	34.95	1151	36.53	1172	38.12	1192	39.72
17400	6000	1037	28.85	1060	30.44	1082	32.06	1105	33.68	1126	35.31	1147	36.94	1168	38.57	1188	40.21	1208	41.85
17980	6200	1056	30.66	1078	32.32	1100	33.99	1122	35.66	1143	37.34	1164	39.02	1185	40.7	1205	42.39	1224	44.07
18560	6400	1074	32.59	1097	34.29	1119	36.01	1140	37.73	1161	39.45	1182	41.18	1202	42.91	1221	44.65	1241	46.39
19140	6600	1094	34.6	1116	36.36	1137	38.12	1158	39.89	1179	41.66	1199	43.44	1219	45.22	1239	47	1258	48.79

CFM	OV	10		11		12		13		14		15		16		17		18	
		RPM	BHP	RPM	BHP	RPM	BHP	RPM	BHP	RPM	BHP	RPM	BHP	RPM	BHP	RPM	BHP	RPM	BHP
5800	2000	1045	13.35	-	-	-	-	-	-	-	-	-	-	-	-	-	-	-	-
6380	2200	1046	14.41	1096	15.98	1144	17.58	1190	19.21	-	-	-	-	-	-	-	-	-	-
6960	2400	1048	15.54	1098	17.17	1145	18.85	1191	20.56	1235	22.3	1276	24.06	-	-	-	-	-	-
7540	2600	1052	16.8	1100	18.18	1147	20.19	1192	21.96	1236	23.78	1278	25.63	1319	27.49	-	-	-	-
8120	2800	1057	18.1	1104	19.89	1150	21.68	1195	23.49	1238	25.34	1280	27.24	1320	29.29	1360	31.17	1399	33.16
8700	3000	1063	19.39	1110	21.31	1155	23.23	1198	25.14	1241	27.06	1282	29	1322	30.98	1361	33	1400	35.07
9280	3200	1071	20.71	1116	22.74	1160	24.78	1203	26.83	1245	28.86	1286	30.9	1325	32.94	1364	35	1402	37.1
9860	3400	1079	22.08	1124	24.2	1167	26.34	1210	28.5	1251	30.67	1290	32.84	1329	34.99	1367	37.15	1405	39.31
10440	3600	1086	23.48	1133	25.71	1176	27.95	1217	30.2	1257	32.47	1296	34.76	1335	37.05	1372	39.34	1409	41.62
11020	3800	1100	24.94	1143	27.26	1185	29.6	1225	31.95	1265	34.32	1303	36.71	1341	39.11	1378	41.52	1414	43.93
11600	4000	1110	26.44	1153	28.86	1195	31.3	1235	33.75	1271	36.22	1312	38.71	1349	41.2	1385	43.71	1420	46.23
12180	4200	1122	28	1164	30.52	1205	33.05	1245	35.61	1283	38.17	1320	40.75	1357	43.35	1393	45.96	1427	48.58
12760	4400	1134	29.62	1176	32.23	1216	34.86	1255	37.51	1293	40.18	1330	42.86	1366	45.55	1401	48.26	1436	50.97
13340	4600	1146	31.3	1187	34	1228	36.73	1266	39.47	1304	42.24	1340	45.01	1375	47.8	1411	50.61	1444	53.43
13920	4800	1159	33.05	1200	35.84	1239	38.66	1278	41.5	1315	44.36	1351	47.23	1385	50.12	1421	53.02	1454	55.93
14500	5000	1172	34.86	1213	37.75	1252	40.66	1289	43.59	1326	46.54	1362	49.51	1397	52.49	1431	55.49	1464	58.5
15080	5200	1186	36.76	1226	39.73	1264	42.73	1302	45.75	1338	48.8	1374	51.86	1408	54.94	1442	58.03	1475	61.14
15660	5400	1201	38.73	1240	41.79	1278	44.88	1314	47.99	1350	51.13	1385	54.28	1420	57.45	1453	60.64	1485	63.84
16240	5600	1215	40.79	1254	43.93	1291	47.11	1328	50.31	1363	53.53	1398	56.78	1431	60.04	1464	63.32	1497	66.61
16820	5800	1231	42.93	1268	46.16	1305	49.42	1341	52.71	1376	56.02	1410	59.35	1444	62.7	1476	66.07	1508	69.46
17400	6000	1246	45.15	1283	48.47	1320	51.82	1355	55.19	1390	58.59	1423	62.01	1456	65.45	1489	68.91	1520	72.39
17980	6200	1262	47.47	1299	50.88	1335	54.31	1369	57.77	1403	61.25	1437	64.76	1469	68.29	1501	71.84	1533	75.4
18560	6400	1278	49.87	1315	53.37	1350	56.9	1384	60.44	1408	64.01	1451	67.6	1482	71.22	1514	74.85	1545	78.41
19140	6600	1295	52.37	1331	55.96	1365	59.58	1399	63.21	1432	66.86	1465	70.54	1497	74.24	1528	77.96	1558	81.7

Performance certified is for Installation Type D: ducted inlet, ducted outlet. Performance ratings do not include the effects of appurtenances. Power rating (BHP) does not include transmission losses. Bold data shows fans maximum static efficiency.

TYPE AH | 26 - 61



CFM	OV	STATIC PRESSURE																	
		0.5		1		1.5		2		2.5		3		3.5		4		4.5	
		RPM	BHP	RPM	BHP	RPM	BHP	RPM	BHP	RPM	BHP	RPM	BHP	RPM	BHP	RPM	BHP	RPM	BHP
3690	1000	227	0.43	301	0.83	362	1.24	416	1.67	465	2.13	509	2.62	-	-	-	-	-	-
4428	1200	239	0.55	310	1.01	368	1.49	419	1.99	466	2.49	509	3.02	550	3.57	587	4.14	-	-
5166	1400	253	0.69	320	1.21	376	1.76	425	2.32	480	2.9	512	3.47	551	4.06	588	4.68	623	5.32
5904	1600	268	0.86	332	1.44	386	2.05	433	2.67	476	3.32	516	3.97	554	4.63	590	5.29	625	5.96
6642	1800	284	1.06	345	1.7	396	2.37	443	3.06	485	3.76	523	4.48	560	5.21	595	5.95	628	6.69
7380	2000	300	1.29	359	1.99	408	2.72	453	3.47	494	4.24	532	5.02	567	5.82	601	6.62	633	7.44
8118	2200	318	1.56	374	2.33	422	3.11	465	3.92	505	4.75	542	5.59	576	6.45	609	7.32	640	8.24
8856	2400	335	1.87	389	2.7	436	3.55	477	4.41	516	5.3	552	6.21	586	7.13	618	8.06	649	9.01
9594	2600	354	2.22	406	3.12	451	4.03	491	4.95	528	5.9	563	6.86	597	7.85	628	8.84	658	9.85
10332	2800	372	2.63	422	3.58	466	4.56	505	5.54	541	6.55	575	7.57	608	8.61	639	9.67	668	10.74
11070	3000	391	3.08	439	4.1	482	5.14	520	6.19	555	7.25	588	8.33	620	9.43	650	10.55	679	11.67
11808	3200	410	3.59	457	4.67	498	5.77	535	6.89	570	8.01	602	9.15	633	10.31	662	11.48	690	12.67
12546	3400	430	4.16	475	5.3	514	6.47	551	7.65	585	8.84	616	10.04	646	11.25	675	12.48	702	13.72
13284	3600	449	4.78	493	6	531	7.22	567	8.47	600	9.27	631	10.98	660	12.26	688	13.54	715	14.85
14022	3800	469	5.48	511	6.76	549	8.05	583	9.35	615	10.67	646	12	674	13.33	702	14.68	728	16.04
14760	4000	489	6.25	530	7.59	566	8.94	600	10.31	631	11.69	661	13.08	689	14.48	716	15.89	742	17.3
15498	4200	509	7.08	549	8.49	584	9.91	617	11.34	648	12.78	677	14.24	705	15.7	731	17.17	756	18.65
16236	4400	530	8	568	9.48	602	10.96	634	12.45	664	13.95	693	15.47	720	17	746	18.53	771	20.07
16974	4600	550	8.99	587	10.54	621	12.08	652	13.64	681	15.21	709	16.78	736	18.37	761	19.97	786	21.57
17712	4800	571	10.07	606	11.68	639	13.29	670	14.91	699	16.54	726	18.18	752	19.83	777	21.49	801	23.16
18450	5000	591	11.24	626	12.92	658	14.59	688	16.27	716	17.97	743	19.67	768	21.38	793	23.1	817	24.83

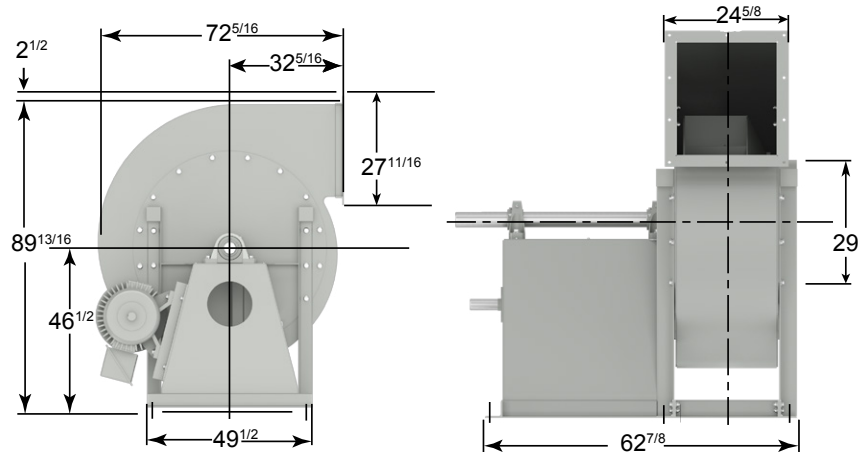
TYPE AH | 26 - 61

CFM	OV	5		5.5		6		6.5		7		7.5		8		8.5		9	
		RPM	BHP	RPM	BHP	RPM	BHP	RPM	BHP	RPM	BHP	RPM	BHP	RPM	BHP	RPM	BHP	RPM	BHP
5166	1400	656	5.98	688	6.65	-	-	-	-	-	-	-	-	-	-	-	-	-	-
5904	1600	657	6.66	689	7.38	719	8.12	748	8.87	776	9.63	-	-	-	-	-	-	-	-
6642	1800	660	7.43	691	8.18	720	8.95	749	9.75	777	10.57	803	11.39	829	12.23	-	-	-	-
7380	2000	664	8.26	694	9.08	723	9.9	751	10.73	778	11.57	805	12.43	830	13.32	855	14.22	880	15.13
8118	2200	670	9.09	699	9.99	728	10.89	755	11.8	781	12.7	807	13.6	832	14.51	857	15.44	881	16.38
8856	2400	678	9.96	706	10.92	734	11.89	760	12.87	786	13.85	811	14.84	836	15.82	860	16.8	884	17.78
9594	2600	687	10.87	714	11.89	741	12.93	767	13.97	792	15.02	817	16.07	841	17.14	864	18.2	888	19.26
10332	2800	696	11.82	724	12.91	750	14	775	15.11	800	16.22	824	17.34	847	18.47	870	19.6	893	20.74
11070	3000	707	12.82	733	13.97	759	15.13	784	16.3	808	17.47	832	18.66	855	19.85	877	21.05	899	22.25
11808	3200	717	13.87	744	15.08	769	16.3	794	17.54	818	18.78	841	20.02	863	21.28	885	22.54	907	23.81
12546	3400	729	14.98	755	16.26	780	17.54	804	18.83	827	20.13	850	21.44	873	22.76	894	24.09	916	25.42
13284	3600	741	16.16	766	17.49	791	18.83	815	20.19	838	21.55	860	22.92	882	24.3	904	25.69	925	27.08
14022	3800	754	17.41	778	18.8	802	20.2	826	21.61	849	23.03	871	24.46	893	25.9	914	27.35	935	28.81
14760	4000	767	18.73	791	20.18	815	21.63	838	23.1	860	24.58	882	26.07	903	27.57	924	29.08	945	30.6
15498	4200	781	20.14	804	21.64	828	23.15	850	24.67	872	26.21	894	27.76	915	29.32	935	30.89	955	32.46
16236	4400	795	21.62	818	23.08	841	24.75	863	26.33	884	27.92	906	29.53	926	31.14	947	32.77	966	34.4
16974	4600	810	23.18	832	24.8	855	26.43	876	28.07	897	29.92	918	31.38	938	33.05	958	34.73	978	36.42
17712	4800	824	24.83	847	26.51	869	28.2	890	29.9	911	31.6	931	33.32	951	35.05	971	36.78	990	38.53
18450	5000	840	26.57	862	28.31	883	30.06	904	31.82	925	33.58	945	35.35	964	37.14	983	38.93	1002	40.73
19188	5200	855	28.4	877	30.2	898	32.01	919	33.83	939	35.65	959	37.48	973	39.32	997	41.17	1015	43.03
19926	5400	871	30.32	892	32.19	913	34.06	934	35.94	953	37.82	973	39.71	992	41.61	1010	43.52	1029	45.43
20664	5600	886	32.34	908	34.27	928	36.2	949	38.14	968	40.06	987	42.04	1006	44	1024	45.96	1042	47.94
21402	5800	903	34.46	923	36.45	944	38.45	964	40.45	983	42.46	1002	44.47	1020	46.49	1029	48.52	1056	50.55
22140	6000	919	36.68	940	38.74	960	40.8	979	42.86	998	44.94	1017	47.01	1035	49.09	1053	51.17	1071	53.26
22878	6200	936	39.02	956	41.13	976	43.29	995	45.38	1014	47.52	1032	49.66	1050	51.8	1068	53.94	1085	56.09
23616	6400	952	41.47	972	43.65	992	45.83	1011	48.01	1029	50.21	1047	52.41	1065	54.62	1083	56.82	1100	59.03
24354	6600	969	44.04	989	46.27	1008	48.51	1027	50.76	1045	53.02	1063	55.28	1081	57.55	1098	59.82	1115	62.09

CFM	OV	10		11		12		13		14		15		16		17		18	
		RPM	BHP	RPM	BHP	RPM	BHP	RPM	BHP	RPM	BHP	RPM	BHP	RPM	BHP	RPM	BHP	RPM	BHP
7380	2000	927	16.99	-	-	-	-	-	-	-	-	-	-	-	-	-	-	-	-
8118	2200	927	18.34	972	20.34	1014	22.38	1055	24.45	-	-	-	-	-	-	-	-	-	-
8856	2400	929	19.78	973	21.85	1015	23.99	1056	26.17	1095	28.38	1131	30.62	-	-	-	-	-	-
9594	2600	932	21.38	975	23.52	1017	25.7	1057	27.96	1096	30.26	1133	32.61	1169	34.99	-	-	-	-
10332	2800	937	23.03	979	25.31	1019	27.59	1059	29.9	1097	32.25	1134	34.67	1170	37.15	1206	39.66	1240	42.2
11070	3000	942	24.68	983	27.12	1023	29.57	1062	32	1100	34.44	1136	36.91	1172	39.42	1207	42	1241	44.64
11808	3200	949	26.36	989	28.94	1029	31.53	1067	34.14	1104	36.73	1140	39.32	1175	41.92	1209	44.55	1242	47.22
12546	3400	957	28.1	996	30.8	1035	33.52	1072	36.27	1109	39.03	1144	41.79	1178	44.53	1212	47.28	1245	50.03
13284	3600	965	29.89	1004	32.72	1042	35.57	1079	38.44	1114	41.33	1149	44.24	1183	47.16	1216	50.07	1249	52.96
14022	3800	975	31.74	1013	34.69	1050	37.67	1086	40.67	1121	43.68	1155	46.72	1189	49.77	1221	52.84	1253	55.91
14760	4000	984	33.65	1022	36.73	1059	39.84	1095	42.96	1129	46.1	1163	49.26	1195	52.44	1227	55.63	1259	58.84
15498	4200	994	35.64	1032	38.84	1068	42.07	1103	45.31	1137	48.58	1171	51.87	1203	55.17	1234	58.49	1265	61.82
16236	4400	1005	37.7	1042	41.02	1078	44.37	1113	47.74	1146	51.13	1179	54.54	1211	57.97	1242	61.41	1272	64.87
16974	4600	1016	39.83	1053	43.27	1088	46.74	1122	50.24	1156	53.75	1188	57.29	1220	60.84	1250	64.41	1280	67.99
17712	4800	1027	42.06	1064	45.62	1099	49.2	1133	52.81	1166	56.45	1198	60.11	1229	63.78	1259	67.48	1289	71.19
18450	5000	1039	44.37	1075	48.04	1109	51.75	1143	55.48	1176	59.23	1207	63.01	1238	66.81	1268	70.62	1298	74.45
19188	5200	1051	46.78	1087	50.57	1121	54.38	1154	58.23	1186	62.1	1218	66	1248	69.92	1278	73.85	1307	77.81
19926	5400	1064	49.29	1099	53.91	1132	57.12	1165	61.08	1197	65.07	1228	69.08	1258	73.11	1288	77.17	1317	81.24
20664	5600	1077	51.91	1111	55.91	1144	59.95	1177	64.03	1208	68.13	1239	72.26	1269	76.11	1298	80.58	1327	84.77
21402	5800	1091	54.63	1124	58.75	1157	63.89	1189	67.08	1220	71.29	1250	75.53	1280	79.8	1309	84.09	1337	88.4
22140	6000	1105	57.46	1138	61.69	1170	65.95	1201	70.24	1232	74.57	1262	78.92	1291	83.3	1320	87.7	1348	92.13
22878	6200	1119	60.41	1151	64.75	1183	69.12	1214	73.52	1244	77.95	1274	82.43	1303	86.91	1331	91.43	1359	95.96
23616	6400	1133	63.47	1165	67.93	1197	71.41	1227	76.92	1257	81.46	1286	86.03	1314	90.63	1342	95.26	1370	99.91
24354	6600	1148	66.65	1180	71.22	1210	75.82	1240	80.44	1270	85.09	1298	89.77	1327	94.48	1354	99.22	1381	104

Performance certified is for Installation Type D: ducted inlet, ducted outlet. Performance ratings do not include the effects of appurtenances. Power rating (BHP) does not include transmission losses. Bold data shows fans maximum static efficiency.

TYPE AH | 29 - 61



CFM	OV	STATIC PRESSURE																	
		0.5		1		1.5		2		2.5		3		3.5		4		4.5	
		RPM	BHP	RPM	BHP	RPM	BHP	RPM	BHP	RPM	BHP	RPM	BHP	RPM	BHP	RPM	BHP	RPM	BHP
4620	1000	203	0.54	269	1.04	324	1.56	372	2.09	415	2.67	453	3.28	-	-	-	-	-	-
5544	1200	213	0.69	277	1.27	328	1.87	374	2.49	416	3.11	455	3.78	491	4.47	525	5.19	-	-
6468	1400	226	0.87	286	1.52	336	2.2	380	2.91	420	3.63	457	4.35	492	5.09	525	5.86	557	6.67
7392	1600	239	1.08	296	1.8	344	2.56	387	3.35	425	4.15	461	4.97	495	5.8	527	6.62	558	7.47
8316	1800	254	1.33	308	2.13	354	2.96	395	3.83	433	4.71	468	5.61	500	6.53	531	7.45	561	8.38
9240	2000	268	1.62	321	2.5	365	3.4	405	4.34	441	5.31	475	6.29	507	7.28	537	8.29	566	9.31
10164	2200	284	1.95	334	2.91	377	3.91	415	4.91	451	5.95	484	7.01	515	8.08	544	9.17	572	10.27
11088	2400	300	2.34	348	3.38	389	4.44	427	5.53	461	6.64	493	7.77	524	8.93	552	10.1	580	11.28
12012	2600	316	2.79	362	3.9	403	5.04	439	6.2	472	7.39	503	8.6	533	9.83	561	11.07	588	12.33
12936	2800	333	3.29	377	4.49	416	5.71	451	6.91	484	8.2	514	9.48	543	10.79	571	12.11	597	13.45
13860	3000	349	3.86	393	5.13	430	6.43	465	7.74	496	9.08	526	10.44	554	11.81	581	13.21	607	14.62
14784	3200	366	4.49	408	5.85	445	7.23	478	8.68	509	10.04	538	11.46	565	12.91	591	14.38	617	15.87
15708	3400	384	5.2	424	6.64	460	8.1	492	9.57	522	11.07	550	12.57	577	14.09	603	15.63	627	17.19
16632	3600	401	5.99	440	7.51	475	9.05	506	10.6	536	12.17	564	13.76	590	15.35	615	16.96	639	18.59
17556	3800	419	6.86	457	8.46	490	10.08	521	11.71	550	13.36	577	15.03	603	16.7	627	18.38	651	20.09
18480	4000	437	7.82	473	9.51	506	11.2	536	12.91	564	14.64	591	16.38	616	18.13	640	19.9	663	21.67
19404	4200	455	8.87	490	10.64	522	12.41	551	14.2	579	16.01	605	17.86	630	19.37	653	21.5	676	23.35
20328	4400	473	10.02	507	11.87	538	13.72	567	15.59	594	17.48	619	19.37	643	21.29	667	23.21	689	25.14
21252	4600	491	11.26	524	13.2	555	15.13	583	17.08	609	19.04	634	21.02	657	23.01	680	25.01	702	27.02
22176	4800	510	12.61	542	14.63	571	16.65	599	18.68	624	20.72	649	22.77	672	24.81	694	26.92	716	29.01
23100	5000	528	14.08	559	16.18	588	18.28	615	20.38	640	22.5	664	24.63	687	26.78	708	28.93	730	31.1

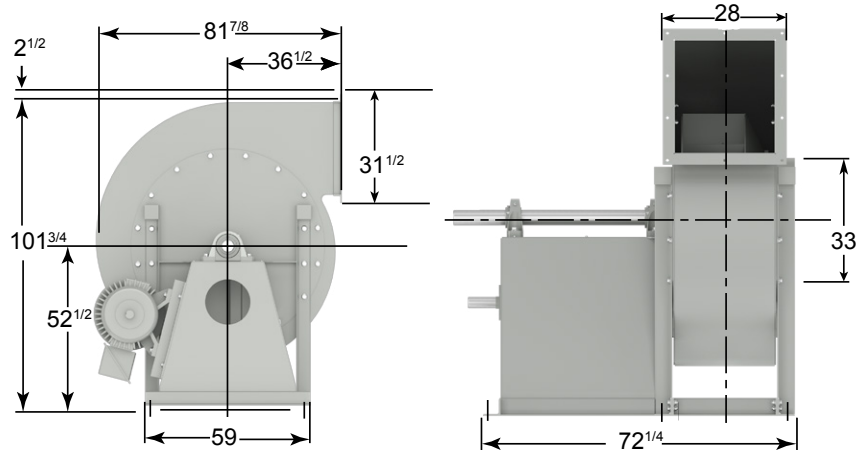
TYPE AH | 29 - 61

CFM	OV	5		5.5		6		6.5		7		7.5		8		8.5		9	
		RPM	BHP	RPM	BHP	RPM	BHP	RPM	BHP	RPM	BHP	RPM	BHP	RPM	BHP	RPM	BHP	RPM	BHP
6468	1400	584	7.49	615	8.33	-	-	-	-	-	-	-	-	-	-	-	-	-	-
7392	1600	587	8.35	615	9.25	642	10.17	668	11.11	693	12.06	-	-	-	-	-	-	-	-
8316	1800	590	9.31	617	10.25	644	11.21	669	12.21	694	13.23	718	14.27	741	15.32	-	-	-	-
9240	2000	594	10.34	620	11.37	646	12.4	671	13.43	695	14.49	719	15.57	742	16.68	764	17.81	786	18.95
10164	2200	599	11.39	625	12.51	650	13.64	674	14.77	698	15.9	721	17.03	744	18.17	766	19.33	787	20.52
11088	2400	606	12.47	631	13.68	656	14.89	679	16.12	702	17.35	725	18.58	747	19.81	768	21.04	789	22.27
12012	2600	614	13.61	638	14.89	662	16.19	685	17.49	708	18.81	730	20.13	751	21.46	772	22.8	793	24.13
12936	2800	622	14.8	647	16.16	670	17.54	693	18.92	715	20.32	736	21.72	757	23.13	778	24.55	798	25.98
13860	3000	631	16.05	655	17.49	678	18.95	701	20.41	722	21.88	743	23.37	764	24.86	784	26.36	804	27.87
14784	3200	641	17.37	665	18.89	687	20.42	709	21.96	731	23.52	751	25.08	772	26.65	791	28.23	810	29.82
15708	3400	651	18.77	674	20.36	697	21.97	718	23.58	739	25.21	760	26.86	780	28.51	799	30.16	818	31.83
16632	3600	662	20.24	685	21.91	707	23.59	728	25.28	749	26.99	769	28.81	788	30.43	808	32.17	826	33.92
17556	3800	673	21.81	696	23.54	717	25.3	738	27.06	758	28.84	778	30.64	798	32.44	817	34.25	835	36.08
18480	4000	685	23.46	707	25.23	728	27.09	749	28.93	769	30.79	788	32.66	807	34.53	826	36.42	844	38.32
19404	4200	698	25.22	719	27.1	739	28.99	760	30.9	779	32.83	798	34.77	817	36.72	836	38.68	854	40.66
20328	4400	710	27.08	731	29.03	751	30.99	771	32.97	790	34.97	809	36.98	828	39	846	41.04	864	43.08
21252	4600	723	29.03	744	31.06	764	33.1	783	35.15	802	37.22	820	39.3	839	41.39	856	43.5	874	45.62
22176	4800	737	31.1	757	33.2	776	35.32	795	37.44	814	39.58	832	41.73	850	43.89	867	46.07	885	48.26
23100	5000	750	33.28	770	35.46	789	37.65	808	39.85	826	42.06	844	44.28	862	46.51	879	48.76	896	51.01
24024	5200	764	35.56	784	37.83	803	40.09	821	42.37	839	44.65	857	46.94	874	49.25	891	51.57	907	53.89
24948	5400	778	37.97	797	40.31	816	42.66	834	45.01	852	47.37	869	49.74	886	52.11	903	54.5	919	56.9
25872	5600	792	40.5	811	42.92	830	45.34	848	47.77	865	50.21	882	52.65	899	55.1	915	57.57	931	60.04
26796	5800	807	43.15	825	45.65	843	48.15	861	50.66	878	53.18	895	55.07	912	58.23	928	60.76	944	63.3
27720	6000	821	45.94	840	48.51	857	51.09	875	53.68	892	56.28	909	58.88	925	61.48	941	64.09	957	66.71
28644	6200	836	48.87	854	51.52	872	54.17	889	56.84	906	59.51	922	62.19	938	64.87	954	67.56	970	70.25
29568	6400	851	51.94	869	54.66	886	57.39	903	60.13	920	62.88	936	65.64	952	68.4	968	71.17	983	73.94
30492	6600	866	55.15	884	57.95	901	60.76	917	63.58	934	66.4	950	69.23	966	72.07	981	74.92	996	77.76

CFM	OV	10		11		12		13		14		15		16		17		18	
		RPM	BHP	RPM	BHP	RPM	BHP	RPM	BHP	RPM	BHP	RPM	BHP	RPM	BHP	RPM	BHP	RPM	BHP
9240	2000	828	21.28	-	-	-	-	-	-	-	-	-	-	-	-	-	-	-	-
10164	2200	829	22.97	868	25.48	906	28.02	941	30.62	-	-	-	-	-	-	-	-	-	-
11088	2400	830	24.77	869	27.36	907	30.05	943	32.77	978	35.54	1012	38.35	-	-	-	-	-	-
12012	2600	833	26.78	871	29.45	908	32.19	944	35	979	37.9	1013	40.84	1045	43.82	-	-	-	-
12936	2800	837	28.82	875	31.7	911	34.56	946	37.44	980	40.39	1014	43.42	1046	46.53	1077	49.67	1108	52.86
13860	3000	842	30.91	879	33.97	915	37.03	949	40.08	983	43.13	1015	46.23	1047	49.37	1078	52.6	1109	55.92
14784	3200	848	33	884	36.24	919	39.49	953	42.76	986	46.01	1018	49.25	1050	52.5	1080	55.79	1110	59.14
15708	3400	855	35.19	890	38.57	925	41.99	958	45.42	991	48.88	1022	52.34	1053	55.77	1083	59.21	1113	62.66
16632	3600	863	37.43	897	40.98	931	44.55	964	48.14	996	51.76	1027	55.4	1057	59.06	1087	62.71	1116	66.33
17556	3800	871	39.75	905	43.45	938	47.18	971	50.93	1002	54.71	1032	58.51	1062	62.33	1091	66.17	1120	70.03
18480	4000	880	42.15	914	46	946	49.89	978	53.8	1009	57.74	1039	61.69	1068	65.67	1097	69.67	1125	73.69
19404	4200	889	44.63	922	48.64	955	52.68	986	56.75	1016	60.84	1046	64.96	1075	69.1	1103	73.25	1131	77.43
20328	4400	898	47.21	931	51.37	963	55.57	994	59.79	1024	64.04	1054	68.31	1082	72.6	1110	76.92	1137	81.25
21252	4600	908	49.89	941	54.2	972	58.54	1003	62.92	1033	67.32	1062	71.75	1090	76.2	1117	80.67	1144	85.15
22176	4800	918	52.67	950	57.16	982	61.62	1012	66.15	1041	70.7	1070	75.28	1098	79.88	1125	84.51	1152	89.15
23100	5000	929	55.57	960	60.17	991	64.81	1021	69.48	1051	74.18	1079	78.92	1107	83.67	1133	88.45	1160	93.25
24024	5200	940	58.59	971	63.33	1001	68.11	1031	72.92	1060	77.78	1088	82.66	1115	87.56	1142	92.49	1168	97.44
24948	5400	951	61.73	982	66.61	1012	71.53	1041	76.49	1070	81.49	1097	86.52	1124	91.57	1151	96.65	1177	101.7
25872	5600	963	65.01	993	70.02	1023	75.08	1052	80.19	1080	85.32	1107	90.49	1134	95.69	1160	101.9	1186	106.2
26796	5800	975	68.42	1005	73.57	1034	78.77	1062	84.01	1090	89.29	1117	94.6	1144	99.94	1169	105.3	1195	110.7
27720	6000	987	71.97	1017	77.26	1045	82.6	1073	87.97	1101	93.39	1127	98.84	1154	104.3	1179	109.8	1204	115.4
28644	6200	1000	75.66	1029	81.09	1057	86.57	1085	92.08	1112	97.63	1138	103.2	1164	108.8	1189	114.5	1214	120.2
29568	6400	1013	79.49	1041	85.07	1069	90.69	1096	96.34	1123	102	1149	107.7	1174	113.5	1199	119.3	1224	125.1
30492	6600	1026	83.47	1054	89.2	1082	94.96	1108	100.7	1135	106.6	1160	112.4	1185	118.3	1210	124.3	1234	130.2

Performance certified is for Installation Type D: ducted inlet, ducted outlet. Performance ratings do not include the effects of appurtenances. Power rating (BHP) does not include transmission losses. Bold data shows fans maximum static efficiency.

TYPE AH | 33 - 61



CFM	OV	STATIC PRESSURE																	
		0.5		1		1.5		2		2.5		3		3.5		4		4.5	
		RPM	BHP	RPM	BHP	RPM	BHP	RPM	BHP	RPM	BHP	RPM	BHP	RPM	BHP	RPM	BHP	RPM	BHP
5990	1000	178	0.71	236	1.35	284	2.02	327	2.71	365	3.47	399	4.25	-	-	-	-	-	-
7188	1200	187	0.9	243	1.64	288	2.42	329	3.23	366	4.04	400	4.9	431	5.8	458	6.73	-	-
8386	1400	198	1.13	251	1.97	295	2.85	333	3.77	369	4.7	402	5.64	432	6.6	461	7.6	489	8.64
9584	1600	210	1.4	260	2.34	303	3.32	340	4.34	374	5.38	405	6.45	435	7.52	463	8.59	490	9.68
10782	1800	223	1.72	270	2.76	311	3.84	347	4.96	380	6.11	411	7.28	439	8.46	467	9.66	493	10.87
11980	2000	236	2.1	282	3.24	321	4.41	356	5.63	388	6.88	417	8.15	445	9.44	472	10.75	497	12.07
13178	2200	249	2.53	293	3.78	331	5.05	365	6.63	396	7.71	425	9.08	452	10.48	478	11.89	502	13.32
14376	2400	263	3.04	306	4.38	342	5.76	375	7.16	405	8.61	433	10.08	460	11.57	485	13.09	509	14.62
15574	2600	278	3.61	318	5.06	354	6.54	385	8.04	415	9.58	442	11.14	468	12.74	493	14.36	516	15.99
16772	2800	292	4.26	331	5.82	366	7.4	396	9	425	10.63	452	12.29	477	13.98	501	15.7	524	17.43
17970	3000	307	5	345	6.65	378	8.34	408	10.05	436	11.77	462	13.53	486	15.31	510	17.12	533	18.96
19168	3200	322	5.83	359	7.58	391	9.37	420	11.18	447	13.01	472	14.86	496	16.74	519	18.64	542	20.57
20366	3400	337	6.75	373	8.61	404	10.5	432	12.41	459	14.35	483	16.3	507	18.27	529	20.26	551	22.28
21564	3600	352	7.77	387	9.74	417	11.73	445	13.75	471	15.78	495	17.83	518	19.9	540	21.99	561	24.1
22762	3800	368	8.9	401	10.97	431	13.07	458	15.19	483	17.32	507	19.48	529	21.64	551	23.83	571	26.04
23960	4000	384	10.14	416	12.32	445	14.52	471	16.74	495	18.98	519	21.24	541	23.51	562	25.8	582	28.1
25158	4200	400	11.5	430	13.8	459	16.09	484	18.41	508	20.75	531	23.11	553	25.49	574	27.88	594	30.28
26356	4400	416	12.99	445	15.39	473	17.79	498	20.21	521	22.66	544	25.12	565	27.59	585	30.09	605	32.59
27554	4600	432	14.6	460	17.11	487	19.62	512	22.14	535	24.69	557	27.25	577	29.83	597	32.42	617	35.03
28752	4800	448	16.35	476	18.97	502	21.58	526	24.21	548	26.86	570	29.52	590	32.2	610	34.9	629	37.6
29950	5000	464	18.25	491	20.98	516	23.69	540	26.42	562	29.17	583	31.93	603	34.71	622	37.51	641	40.32

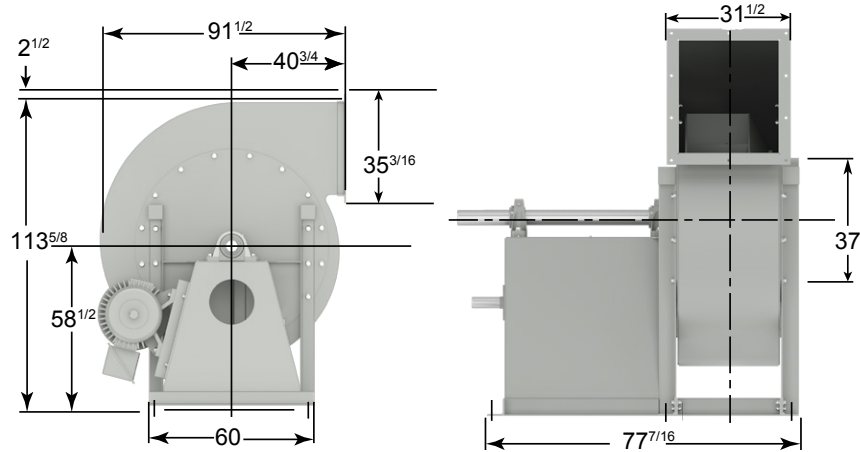
TYPE AH | 33 - 61

CFM	OV	5		5.5		6		6.5		7		7.5		8		8.5		9	
		RPM	BHP	RPM	BHP	RPM	BHP	RPM	BHP	RPM	BHP	RPM	BHP	RPM	BHP	RPM	BHP	RPM	BHP
8386	1400	515	9.71	540	10.8	-	-	-	-	-	-	-	-	-	-	-	-	-	-
9584	1600	516	10.81	541	11.99	564	13.19	587	14.4	608	15.64	-	-	-	-	-	-	-	-
10782	1800	518	12.07	542	13.29	565	14.54	588	15.83	609	17.16	630	18.5	651	19.86	-	-	-	-
11980	2000	521	13.41	545	14.74	567	16.07	589	17.42	611	18.78	631	20.18	652	21.62	671	23.09	690	24.57
13178	2200	526	14.76	549	16.22	571	17.69	592	19.15	613	20.61	633	22.08	653	23.56	673	25.06	691	26.6
14376	2400	532	16.17	554	17.73	576	19.31	597	20.89	617	22.49	637	24.09	656	25.68	675	27.27	693	28.87
15574	2600	539	17.64	561	19.31	582	20.99	602	22.68	622	24.38	641	26.1	660	27.82	678	29.06	697	31.28
16772	2800	547	19.19	568	20.95	588	22.74	608	24.53	628	26.34	647	28.16	665	29.99	683	31.83	701	33.68
17970	3000	555	20.81	576	22.68	596	24.56	615	26.46	634	28.37	653	30.3	671	32.23	689	34.17	706	36.13
19168	3200	563	22.52	584	24.49	604	26.47	623	28.47	642	30.49	660	32.51	678	34.55	695	36.6	712	38.66
20366	3400	572	24.33	592	26.39	612	28.48	631	30.58	649	32.69	667	34.82	685	36.96	702	39.11	719	41.27
21564	3600	582	26.24	601	28.4	621	30.58	639	32.78	658	34.99	675	37.22	692	39.46	709	41.71	726	43.97
22762	3800	591	28.27	611	30.52	630	32.79	648	35.09	666	37.4	683	39.72	701	42.06	717	44.41	733	46.77
23960	4000	602	30.42	621	32.76	639	35.13	657	37.51	675	39.92	692	42.34	709	44.77	725	47.22	741	49.68
25158	4200	613	32.7	631	35.13	649	37.59	667	40.06	684	42.56	701	45.07	718	47.6	734	50.15	750	52.71
26356	4400	624	35.1	642	37.63	660	40.18	677	42.75	694	45.33	711	47.94	727	50.56	743	53.2	758	55.86
27554	4600	635	37.64	653	40.27	671	42.91	688	45.57	704	48.25	721	50.95	736	53.66	752	56.39	767	59.14
28752	4800	647	40.32	665	43.05	682	45.79	699	48.54	715	51.31	731	54.1	746	56.9	762	59.72	777	62.56
29950	5000	659	43.14	676	45.97	696	48.84	710	51.66	726	54.52	741	57.4	757	60.3	772	63.21	787	66.14
31148	5200	671	46.11	688	49.04	705	51.98	721	54.93	737	57.89	752	60.86	767	63.85	782	66.85	797	69.87
32346	5400	683	49.22	700	52.26	717	55.3	733	58.35	748	61.41	763	64.48	778	67.56	793	70.66	807	73.77
33544	5600	696	52.5	712	55.64	729	58.78	744	61.94	760	65.09	775	68.26	789	71.44	804	74.63	818	77.83
34742	5800	708	55.95	725	59.18	741	62.43	756	65.68	772	68.94	786	72.21	801	75.49	815	78.77	829	82.07
35940	6000	721	59.56	737	62.9	753	66.24	758	69.6	783	72.96	798	76.33	812	79.71	826	83.09	840	86.48
37138	6200	734	63.36	750	66.79	766	70.23	781	73.69	795	77.15	810	80.63	824	84.12	838	87.59	852	91.08
38336	6400	747	67.34	763	70.87	778	74.41	793	77.96	808	81.52	822	85.1	836	88.68	850	92.26	863	95.85
39534	6600	761	71.5	776	75.13	791	78.77	806	82.42	820	86.09	834	89.76	848	93.44	862	97.12	875	100.8

CFM	OV	10		11		12		13		14		15		16		17		18	
		RPM	BHP	RPM	BHP	RPM	BHP	RPM	BHP	RPM	BHP	RPM	BHP	RPM	BHP	RPM	BHP	RPM	BHP
11980	2000	727	27.59	-	-	-	-	-	-	-	-	-	-	-	-	-	-	-	-
13178	2200	728	29.78	763	33.02	796	36.33	828	39.7	-	-	-	-	-	-	-	-	-	-
14376	2400	729	32.12	764	35.48	797	38.95	828	42.49	859	46.08	889	49.72	-	-	-	-	-	-
15574	2600	732	34.72	765	38.19	798	41.73	829	45.38	860	49.14	889	52.95	918	56.82	-	-	-	-
16772	2800	735	37.4	768	41.1	800	44.8	831	48.54	861	52.36	890	56.29	919	60.32	946	64.4	973	68.53
17970	3000	739	40.07	772	44.04	803	48.01	834	51.95	863	55.92	892	59.93	920	64.01	947	68.19	974	72.48
19168	3200	745	42.8	776	46.98	807	51.2	837	55.43	866	59.64	894	63.84	922	68.07	949	72.33	975	76.67
20366	3400	751	45.62	782	50.01	812	54.43	841	58.89	870	63.37	898	67.85	925	72.31	951	76.76	977	81.23
21564	3600	758	48.53	788	53.12	818	57.75	847	62.41	875	67.1	902	71.82	929	76.57	955	81.3	980	86
22762	3800	765	51.53	795	56.33	824	61.17	852	66.03	880	70.93	907	75.86	933	80.81	959	85.79	984	90.79
23960	4000	772	54.64	802	59.64	831	64.68	859	69.75	886	74.85	912	79.98	938	85.14	963	90.33	988	95.54
25158	4200	780	57.86	810	63.06	838	68.3	866	73.58	893	78.88	919	84.22	944	89.58	969	94.97	993	100.4
26356	4400	789	61.2	818	66.6	846	72.04	873	77.51	900	83.02	925	88.56	950	94.12	957	99.72	999	105.3
27554	4600	797	64.68	826	70.26	854	75.9	881	81.57	907	87.28	932	93.01	957	98.78	981	104.6	1005	110.4
28752	4800	806	68.29	835	74.06	862	79.89	889	85.75	915	91.66	940	97.6	964	103.6	988	109.6	1012	115.6
29950	5000	816	72.04	844	78.01	871	84.02	897	90.08	923	96.17	948	102.3	972	108.5	995	114.7	1019	120.9
31148	5200	825	75.96	853	82.1	880	88.3	906	94.55	931	100.8	956	107.2	980	113.5	1003	119.9	1026	126.3
32346	5400	835	80.03	862	86.36	889	92.74	914	99.17	939	105.6	964	112.2	988	118.7	1011	125.3	1033	131.9
33544	5600	845	84.28	872	90.78	898	97.34	924	104	948	110.6	972	117.3	996	124.1	1019	130.8	1041	137.6
34742	5800	856	88.7	882	95.38	908	102.1	933	108.9	957	115.8	981	122.6	1004	129.6	1027	136.5	1049	143.5
35940	6000	867	93.3	893	100.2	918	107.1	943	114.1	969	121.1	990	128.1	1013	135.3	1036	142.4	1058	149.6
37138	6200	878	98.08	904	105.1	928	112.2	953	119.4	976	126.6	999	133.8	1022	141.1	1044	148.4	1066	155.8
38336	6400	889	103.1	915	110.3	939	117.6	963	124.9	986	132.3	1009	139.7	1032	147.2	1053	154.7	1075	162.2
39534	6600	901	108.2	926	115.6	950	123.1	973	130.6	996	138.2	1019	145.8	1041	153.4	1063	161.1	1084	168.8

Performance certified is for Installation Type D: ducted inlet, ducted outlet. Performance ratings do not include the effects of appurtenances. Power rating (BHP) does not include transmission losses. Bold data shows fans maximum static efficiency.

TYPE AH | 37 - 61



CFM	OV	STATIC PRESSURE																	
		0.5		1		1.5		2		2.5		3		3.5		4		4.5	
		RPM	BHP	RPM	BHP	RPM	BHP	RPM	BHP	RPM	BHP	RPM	BHP	RPM	BHP	RPM	BHP	RPM	BHP
7510	1000	159	0.88	211	1.69	254	2.53	292	3.4	326	4.34	357	5.33	-	-	-	-	-	-
9012	1200	167	1.12	217	2.06	258	3.04	294	4.04	327	5.06	357	6.14	385	7.27	412	8.43	-	-
10514	1400	177	1.41	224	2.47	263	3.58	298	4.72	329	5.9	359	7.07	386	8.27	412	9.53	437	10.83
12016	1600	188	1.76	232	2.93	270	4.17	304	5.44	334	6.75	362	8.08	389	9.42	414	10.76	438	12.13
13518	1800	199	2.16	242	3.46	278	4.81	310	6.22	340	7.66	367	9.12	392	10.61	417	12.11	440	13.62
15020	2000	211	2.63	252	4.06	286	5.53	318	7.06	346	8.62	373	10.22	398	11.84	421	13.47	444	15.13
16522	2200	223	3.18	262	4.73	296	6.33	326	7.97	354	9.66	380	11.38	404	13.13	427	14.9	449	16.69
18024	2400	235	3.81	273	5.49	305	7.22	335	8.98	362	10.79	387	12.63	411	14.51	433	16.41	455	18.33
19526	2600	258	4.53	284	6.34	316	8.2	344	10.08	370	12	395	13.97	418	15.97	440	17.99	461	20.04
21028	2800	261	5.34	296	7.29	327	9.27	354	11.28	379	13.33	403	15.41	426	17.53	448	19.68	468	21.85
22530	3000	274	6.27	308	8.34	338	10.45	364	12.59	389	14.76	412	16.96	434	19.19	456	21.46	476	23.76
24032	3200	287	7.3	320	9.51	349	11.75	375	14.02	399	16.31	422	18.63	443	20.98	464	23.37	484	25.78
25534	3400	301	8.46	333	10.79	361	13.16	386	15.56	410	17.98	432	20.43	453	22.9	473	25.4	492	27.93
27036	3600	315	9.74	345	12.21	373	14.7	397	17.23	420	19.78	442	22.35	463	24.95	482	27.56	501	30.21
28538	3800	329	11.15	358	13.76	385	16.38	409	19.03	431	21.71	453	24.42	473	27.13	492	29.87	510	32.64
30040	4000	343	12.71	371	15.45	397	18.2	421	20.98	443	23.79	463	26.62	483	29.47	502	32.33	520	35.22
31542	4200	357	14.42	385	17.29	410	20.17	433	23.08	454	26.01	474	28.97	494	31.95	512	34.94	530	37.95
33044	4400	371	16.28	398	19.29	422	22.3	445	25.34	466	28.4	486	31.48	505	34.59	523	37.71	540	40.85
34546	4600	386	15.3	411	21.45	435	24.59	457	27.76	478	30.94	497	34.16	513	37.39	534	40.64	551	43.9
36048	4800	400	20.5	425	23.78	448	27.05	470	30.35	490	33.67	509	37	527	40.36	545	43.74	562	47.13
37550	5000	414	22.87	439	26.29	461	29.7	482	33.12	502	36.56	521	40.03	539	43.51	556	47.02	572	50.54

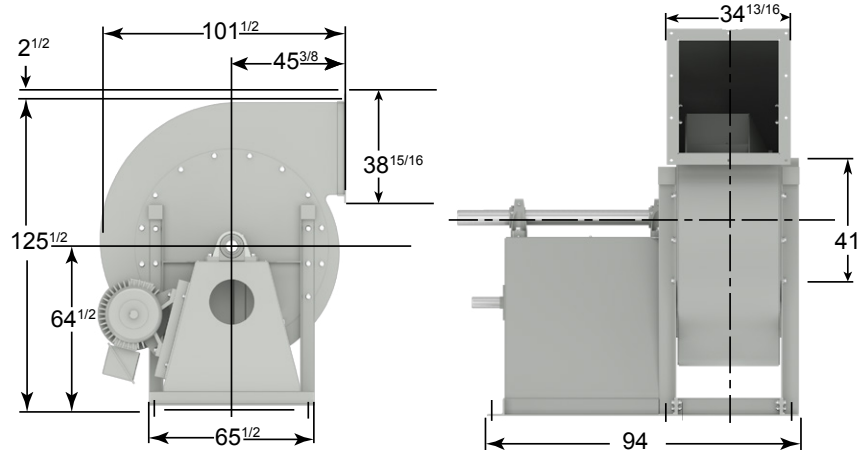
TYPE AH | 37 - 61

CFM	OV	5		5.5		6		6.5		7		7.5		8		8.5		9	
		RPM	BHP	RPM	BHP	RPM	BHP	RPM	BHP	RPM	BHP	RPM	BHP	RPM	BHP	RPM	BHP	RPM	BHP
10514	1400	460	12.17	482	13.53	-	-	-	-	-	-	-	-	-	-	-	-	-	-
12016	1600	461	13.55	483	15.03	504	16.53	524	18.05	544	19.6	-	-	-	-	-	-	-	-
13518	1800	463	15.12	484	16.65	505	18.22	525	19.87	544	21.51	563	23.19	581	24.89	-	-	-	-
15020	2000	466	16.81	487	18.48	507	20.15	526	21.83	545	23.54	564	25.3	582	27.1	600	28.94	617	30.8
16522	2200	470	18.5	490	20.33	510	22.17	529	24.01	548	25.84	566	27.67	583	29.53	601	31.42	618	33.34
18024	2400	475	20.27	495	22.23	514	24.2	533	26.19	551	28.19	569	30.2	586	32.19	603	34.18	619	36.19
19526	2600	481	22.11	501	24.2	520	26.31	538	28.43	555	30.56	573	32.71	589	34.87	606	37.05	622	39.21
21028	2800	488	24.05	507	26.26	526	28.5	543	30.75	561	33.02	577	35.3	594	37.59	610	39.9	626	42.22
22530	3000	495	26.08	514	28.43	532	30.79	550	33.17	567	35.56	583	37.97	599	40.4	615	42.84	630	45.29
24032	3200	503	28.23	521	30.69	539	33.18	556	35.69	573	38.21	589	40.75	605	43.31	621	45.87	636	48.45
25534	3400	511	30.49	529	33.03	547	35.69	564	38.32	580	40.97	596	43.64	612	46.32	627	49.02	642	51.73
27036	3600	519	32.89	537	35.6	554	38.33	571	41.08	587	43.86	603	46.65	619	49.46	634	52.28	648	55.11
28538	3800	528	35.43	546	38.26	563	41.11	579	43.98	595	46.87	610	49.79	626	52.72	641	55.66	655	58.63
30040	4000	538	38.13	555	41.07	571	44.03	587	47.02	603	50.03	618	53.06	633	56.12	648	59.19	662	62.27
31542	4200	547	40.98	564	44.03	580	47.11	596	50.22	611	53.34	626	56.5	641	59.67	656	62.86	670	66.06
33044	4400	557	44	574	47.17	589	50.36	605	53.58	620	56.82	635	60.09	649	63.38	663	66.69	677	70.01
34546	4600	567	47.18	584	50.47	599	53.79	614	57.12	629	60.48	644	63.86	658	67.26	672	70.68	658	74.13
36048	4800	578	50.54	594	53.96	609	57.39	624	60.84	638	64.31	653	67.81	667	71.32	680	74.86	694	78.42
37550	5000	589	54.07	604	57.62	619	61.18	634	64.75	648	68.34	662	71.95	676	75.58	689	79.23	703	82.9
39052	5200	599	57.79	615	61.47	630	65.15	644	68.85	658	72.56	672	76.28	685	80.03	699	83.79	712	87.58
40554	5400	610	61.7	625	65.5	640	69.32	654	73.14	668	76.97	682	80.82	695	84.68	708	88.56	721	92.46
42056	5600	621	65.81	636	69.74	651	73.68	665	77.63	679	81.59	692	85.56	705	89.54	718	93.54	731	97.56
43558	5800	633	70.12	647	74.18	662	78.25	676	82.33	689	86.42	702	90.51	715	94.62	728	98.74	740	102.9
45060	6000	644	74.66	659	78.84	672	83.03	686	87.23	700	91.45	713	95.68	726	99.91	738	104.1	750	108.4
46562	6200	656	79.41	670	83.72	684	88.03	697	92.36	711	96.7	723	101.1	736	105.4	749	109.8	761	114.2
48064	6400	668	84.4	682	88.83	695	93.26	708	97.72	721	102.2	734	106.7	747	111.2	759	115.6	771	120.1
49566	6600	680	89.62	693	94.17	707	98.73	720	103.3	733	107.9	745	112.5	757	117.1	770	121.7	781	126.4

CFM	OV	10		11		12		13		14		15		16		17		18	
		RPM	BHP	RPM	BHP	RPM	BHP	RPM	BHP	RPM	BHP	RPM	BHP	RPM	BHP	RPM	BHP	RPM	BHP
15020	2000	649	34.58	-	-	-	-	-	-	-	-	-	-	-	-	-	-	-	-
16522	2200	650	37.32	681	41.39	711	45.54	740	49.76	-	-	-	-	-	-	-	-	-	-
18024	2400	651	40.26	682	44.47	712	48.83	740	53.26	767	57.76	794	62.33	-	-	-	-	-	-
19526	2600	653	43.52	684	47.86	713	52.3	741	56.88	768	61.59	794	66.37	820	71.21	-	-	-	-
21028	2800	657	46.88	686	51.51	715	56.15	742	60.84	769	65.63	795	70.55	820	75.6	845	80.72	869	85.89
22530	3000	660	50.22	689	55.2	717	60.17	745	65.12	771	70.09	797	75.12	822	80.23	846	85.47	870	90.85
24032	3200	665	53.65	694	58.89	721	64.17	748	69.48	774	74.76	799	80.02	823	85.31	847	90.66	871	96.1
25534	3400	671	57.18	698	62.68	725	68.23	752	73.81	777	79.43	802	85.05	826	90.63	850	96.21	873	101.8
27036	3600	677	60.83	704	66.59	730	72.39	756	78.23	781	84.11	806	90.03	829	95.97	853	101.9	875	107.8
28538	3800	683	64.59	710	70.61	736	76.67	761	82.77	786	88.9	810	95.08	833	101.3	856	107.5	879	113.8
30040	4000	690	68.49	717	74.76	742	81.07	767	87.43	791	93.82	815	100.3	838	106.7	860	113.2	882	119.7
31542	4200	697	72.53	723	79.04	749	85.61	773	92.22	797	98.87	820	105.6	843	112.3	865	119	887	125.8
33044	4400	704	76.72	730	83.48	756	90.29	780	97.15	804	104.1	827	111	849	118	871	125	892	132
34546	4600	712	81.07	738	88.07	763	95.13	787	102.2	810	109.4	833	116.6	855	123.8	876	131.1	898	138.4
36048	4800	720	85.59	746	92.83	770	100.1	794	107.5	817	114.9	839	122.3	861	129.8	883	137.3	904	144.9
37550	5000	728	90.3	753	97.78	778	105.3	801	112.9	824	120.5	846	128.2	868	136	889	143.7	910	151.9
39052	5200	737	95.2	762	102.9	786	110.7	809	118.5	831	126.4	853	134.3	875	142.3	896	150.3	916	158.3
40554	5400	746	100.3	770	108.2	794	116.2	817	124.3	839	132.4	861	140.6	882	148.8	903	157.1	923	165.3
42056	5600	755	105.6	779	113.8	802	122	825	130.3	849	138.7	868	147.1	889	155.5	910	164	930	172.5
43558	5800	765	111.2	788	119.6	811	126	833	136.5	855	145.1	876	153.7	897	162.4	917	171.1	937	179.9
45060	6000	774	116.9	797	125.6	820	134.2	842	143	863	151.8	884	160.6	905	169.5	925	178.5	945	187.5
46562	6200	784	122.9	807	131.8	829	140.7	851	149.6	872	158.7	893	167.7	913	176.9	933	186.1	952	195.3
48064	6400	794	129.2	817	138.2	839	147.4	860	156.5	881	165.8	901	175.1	921	184.5	941	193.9	960	203.3
49566	6600	805	135.6	827	144.9	848	154.3	870	163.7	890	173.2	910	182.7	930	192.3	949	201.9	968	211.6

Performance certified is for Installation Type D: ducted inlet, ducted outlet. Performance ratings do not include the effects of appurtenances. Power rating (BHP) does not include transmission losses. Bold data shows fans maximum static efficiency.

TYPE AH | 41 - 61



CFM	OV	STATIC PRESSURE																	
		0.5		1		1.5		2		2.5		3		3.5		4		4.5	
		RPM	BHP	RPM	BHP	RPM	BHP	RPM	BHP	RPM	BHP	RPM	BHP	RPM	BHP	RPM	BHP	RPM	BHP
9200	1000	144	1.08	191	2.07	229	3.1	264	4.17	294	5.32	322	6.53	-	-	-	-	-	-
11040	1200	151	1.38	196	2.52	233	3.72	265	4.95	295	6.2	323	7.52	348	8.91	372	10.33	-	-
12880	1400	160	1.73	203	3.02	238	4.38	269	5.79	298	7.22	324	8.66	349	10.13	372	11.67	395	13.27
14720	1600	170	2.15	210	3.59	244	5.1	274	6.67	302	8.27	327	9.9	351	11.54	374	13.19	396	14.86
16560	1800	180	2.64	218	4.24	251	5.9	280	7.62	307	9.38	331	11.17	355	12.99	377	14.84	398	16.68
18400	2000	190	3.22	227	4.97	259	6.78	287	8.65	313	10.56	337	12.52	359	14.5	381	16.51	401	18.54
20240	2200	201	3.89	237	5.8	267	7.75	294	9.77	320	11.84	343	13.95	365	16.09	386	18.26	405	20.45
22080	2400	212	4.66	247	6.73	276	8.84	302	11	327	13.21	350	15.47	371	17.77	391	20.1	411	22.45
23920	2600	224	5.54	257	7.77	285	10.04	311	12.35	335	14.7	357	17.11	378	19.56	398	22.04	417	24.55
25760	2800	236	6.55	267	8.93	295	11.36	320	13.82	343	16.32	364	18.87	385	21.47	404	24.1	423	26.77
27600	3000	248	7.68	278	10.22	305	12.8	329	15.43	352	18.08	370	20.77	393	23.51	412	26.29	430	29.11
29440	3200	260	8.94	289	11.65	315	14.39	339	17.17	361	19.98	381	22.82	401	25.7	419	28.62	437	31.58
31280	3400	272	10.36	301	13.22	326	16.12	349	19.06	370	22.03	390	25.02	409	28.05	427	31.11	445	34.21
33120	3600	284	11.93	312	14.95	337	18.01	359	21.11	380	24.23	399	27.38	418	30.56	436	33.77	453	37.01
34960	3800	297	13.66	324	16.85	348	20.07	369	23.32	390	26.6	409	29.91	427	33.24	445	36.6	461	39.98
36800	4000	310	15.57	335	18.92	359	22.3	380	25.7	400	29.14	419	32.61	437	36.1	454	39.61	470	43.14
38640	4200	322	17.66	347	21.18	370	24.71	391	28.27	410	31.87	429	35.49	446	29.14	463	42.8	479	46.49
40480	4400	335	19.94	359	23.62	382	27.32	402	31.04	421	34.79	439	38.56	456	42.37	472	46.2	488	50.04
42320	4600	348	22.42	372	26.27	393	30.12	413	34	432	37.91	449	41.84	466	45.8	482	49.78	498	53.78
44160	4800	361	25.11	384	29.13	405	33.14	424	37.18	442	41.24	460	45.33	476	49.44	492	53.58	507	57.74
46000	5000	374	28.02	396	32.21	417	26.38	436	40.57	454	44.79	470	49.03	487	53.3	502	57.59	517	61.91

TYPE AH | 41 - 61

CFM	OV	5		5.5		6		6.5		7		7.5		8		8.5		9	
		RPM	BHP	RPM	BHP	RPM	BHP	RPM	BHP	RPM	BHP	RPM	BHP	RPM	BHP	RPM	BHP	RPM	BHP
12880	1400	416	14.91	436	16.58	-	-	-	-	-	-	-	-	-	-	-	-	-	-
14720	1600	416	16.6	436	18.41	455	20.25	474	22.11	491	24.02	-	-	-	-	-	-	-	-
16560	1800	418	18.53	437	20.4	456	22.32	474	24.31	492	26.34	509	28.41	525	30.5	-	-	-	-
18400	2000	421	20.59	440	22.64	458	24.63	476	26.74	493	28.84	510	30.99	526	33.2	542	35.45	557	37.73
20240	2200	425	22.67	443	24.9	461	27.16	478	29.41	495	31.65	511	33.9	527	36.17	543	38.48	558	40.84
22080	2400	429	24.83	447	27.23	465	29.64	481	32.08	498	34.53	514	36.99	529	39.43	545	41.87	560	44.33
23920	2600	435	27.09	452	29.65	469	32.22	486	34.82	502	37.44	517	40.07	533	42.72	548	45.38	562	48.03
25760	2800	441	29.46	458	32.17	475	34.91	491	37.67	507	40.44	522	43.24	537	46.05	551	48.87	565	51.71
27600	3000	448	31.95	464	34.82	481	37.72	497	40.63	512	43.57	527	46.52	541	49.49	556	52.47	570	55.47
29440	3200	454	34.58	471	37.6	487	40.65	503	43.72	518	46.81	533	49.92	547	53.05	561	56.19	574	59.35
31280	3400	462	37.35	478	40.53	494	43.72	509	46.95	524	50.19	539	53.46	553	56.74	566	60.05	580	63.37
33120	3600	469	40.29	485	43.61	501	46.95	516	50.03	531	53.72	545	57.14	559	60.58	572	64.04	586	67.52
34960	3800	477	43.41	493	46.86	508	50.35	523	53.87	538	57.42	552	60.99	565	64.58	579	68.19	592	71.82
36800	4000	486	46.71	501	50.3	516	53.94	531	57.6	545	61.29	559	65	572	68.74	585	72.5	598	76.28
38640	4200	494	50.2	509	53.94	524	57.71	538	61.51	552	65.35	566	69.21	579	73.09	592	77	605	80.93
40480	4400	503	53.9	518	57.78	533	61.69	547	65.64	560	69.61	574	73.61	587	77.64	599	81.69	612	85.77
42320	4600	513	57.8	527	61.83	541	65.89	555	69.97	568	74.09	581	78.22	594	82.39	607	86.59	619	90.81
44160	4800	522	61.91	536	66.1	550	70.3	564	74.53	577	78.79	590	83.06	602	87.37	615	91.7	627	96.06
46000	5000	532	66.24	546	70.58	559	74.94	573	79.32	586	83.82	598	88.14	611	92.58	623	97.05	635	101.6
47840	5200	541	70.79	555	75.3	569	79.81	582	84.34	595	88.88	607	93.45	619	98.04	631	102.6	643	107.3
49680	5400	551	75.58	565	80.34	578	84.91	591	89.59	604	94.29	616	99	628	103.7	640	108.5	651	113.3
51520	5600	561	80.61	575	85.43	588	90.26	601	95.1	613	99.95	625	104.8	637	109.7	649	114.6	660	119.5
53360	5800	572	85.9	585	90.87	598	95.85	610	100.9	623	105.9	635	110.9	646	115.9	658	121	669	126
55200	6000	583	91.46	595	96.57	608	101.7	620	106.9	632	112	644	117.2	656	122.4	667	127.6	678	132.8
57040	6200	593	97.28	605	102.6	618	107.8	630	113.1	642	118.5	654	123.8	665	129.1	676	134.5	687	139.8
58880	6400	603	103.4	616	108.8	628	114.2	640	119.7	652	125.2	663	130.7	675	136.2	686	141.7	697	147.2
60720	6600	614	109.8	626	115.4	638	121	650	126.6	662	132.2	673	137.8	684	143.5	695	149.1	706	154.8

CFM	OV	10		11		12		13		14		15		16		17		18	
		RPM	BHP	RPM	BHP	RPM	BHP	RPM	65.24	RPM	BHP	RPM	BHP	RPM	BHP	RPM	BHP	RPM	BHP
18400	2000	587	42.36	-	-	-	-	-	-	-	-	-	-	-	-	-	-	-	-
20240	2200	587	45.72	615	50.71	642	55.79	668	60.96	-	-	-	-	-	-	-	-	-	-
22080	2400	588	49.32	616	54.47	643	59.81	669	65.24	693	70.75	717	76.35	-	-	-	-	-	-
23920	2600	590	53.31	618	58.63	644	64.07	669	69.68	694	75.45	718	81.31	741	87.24	-	-	-	-
25760	2800	593	57.43	620	63.1	646	68.79	671	74	695	80.4	718	86.43	741	92.61	764	98.88	785	105.2
27600	3000	597	61.52	623	67.62	648	73.71	673	79.77	697	85.86	720	92.02	742	98.29	764	104.7	786	111.3
29440	3200	501	65.72	627	72.14	651	78.61	676	85.12	699	91.58	722	98.03	744	104.5	766	111.1	787	117.7
31280	3400	606	70.05	631	76.79	655	83.58	679	90.42	702	97.3	724	104.2	746	111	768	117.9	789	124.7
33120	3600	611	74.51	636	81.57	660	88.67	683	95.83	706	103	728	110.3	749	117.6	770	124.8	791	132
34960	3800	617	79.13	642	86.49	665	93.92	688	101.4	710	108.9	732	116.5	753	124.1	774	131.7	794	139.4
36800	4000	623	83.9	648	91.58	671	99.31	693	107.1	715	114.9	736	122.8	757	130.7	777	138.7	797	146.7
38640	4200	630	88.84	654	96.83	677	104.9	699	113	720	121.1	741	129.3	762	137.5	782	145.8	801	154.1
40480	4400	636	93.98	660	102.3	683	110.6	705	119	726	127.5	747	136	767	144.5	787	153.1	806	161.7
42320	4600	643	99.31	667	107.9	689	116.5	711	125.2	732	134	753	142.8	772	151.7	792	160.6	811	169.5
44160	4800	651	104.9	674	113.7	696	122.7	717	131.7	738	140.7	758	149.9	778	159	798	168.2	816	177.5
46000	5000	658	110.6	681	119.8	703	129	724	138.3	745	147.7	765	157.1	784	166.6	803	176.1	822	185.6
47840	5200	666	116.6	688	126.1	710	135.6	731	145.2	751	154.8	771	164.5	790	174.3	809	184.1	828	194
49680	5400	674	122.9	696	132.6	717	142.4	738	152.3	758	162.2	778	172.2	797	182.3	816	192.4	834	202.5
51520	5600	682	129.4	704	139.4	725	149.5	745	159.6	765	169.8	785	180.1	804	190.5	822	200.9	840	211.3
53360	5800	691	136.2	712	146.5	733	156.8	753	167.2	773	177.7	792	188.3	811	199	829	209.6	847	220.4
55200	6000	700	143.3	721	153.8	741	164.4	761	175.1	780	185.9	799	196.8	818	207.7	836	218.7	853	229.7
57040	6200	709	150.6	729	161.4	749	172.3	769	183.3	788	194.3	807	205.5	825	216.7	843	227.9	860	239.2
58880	6400	718	158.2	738	169.3	758	180.5	777	191.8	796	203.1	814	214.5	832	226	850	237.5	868	249.1
60720	6600	727	166.2	747	177.6	767	189	786	200.6	804	212.1	822	223.8	840	235.5	858	247.4	875	259.2

Performance certified is for Installation Type D: ducted inlet, ducted outlet. Performance ratings do not include the effects of appurtenances. Power rating (BHP) does not include transmission losses. Bold data shows fans maximum static efficiency.

PENNBARRY PRODUCT SOLUTIONS



Commercial

- Roof & wall exhaust centrifugal fans
- Ceiling, wall, & inline centrifugal fans
- Roof supply centrifugal fans
- Square & round centrifugal fans
- Wall mounted axial fans
- Hooded roof axial fans
- Upblast roof axial fans
- Gravity ventilators
- Roof curbs



Industrial

- Freestanding centrifugal fans
- Industrial & material handling fans
- Tubular centrifugal inline fans
- Mixed flow centrifugal fans
- Plug & plenum fans
- Wall mounted propeller fans
- Tube axial fans
- Vane axial fans
- Bifurcator fans
- Lab exhaust



Kitchen ventilation

- Make-up air units
- Exhaust fans



Energy recovery

- Outdoor units
- Indoor units

PennBarry is proud to be your preferred manufacturer of commercial and industrial fans and blowers. Learn how PennBarry can assist you in your next application by contacting your PennBarry Representative or visiting us on the web at www.pennbarry.com

PennBarry | www.pennbarry.com | pennbarrysales@pennbarry.com | Tel 972 212 4700 | Fax 972 212 4702

PennBarry reserves the right to make changes at any time, without notice, to models, construction, specifications, options and availability. This document illustrates the appearance of PennBarry products at the time of publication. View the latest updates on the PennBarry website.

© 2018 PennBarry. All rights reserved. INDUSTRACON NOVEMBER 2018.



PENNBARRY™