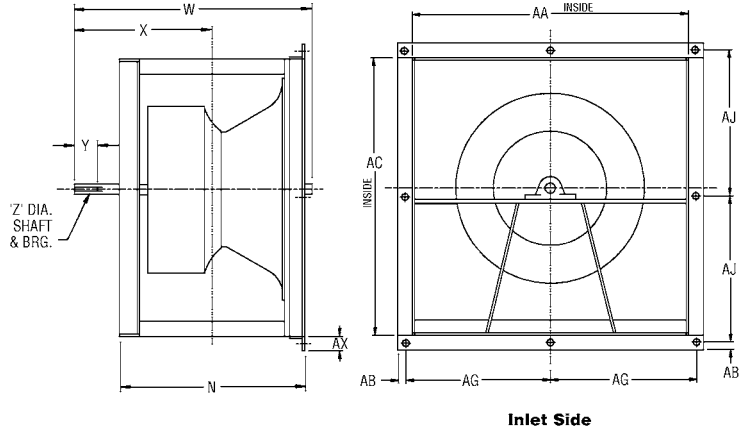
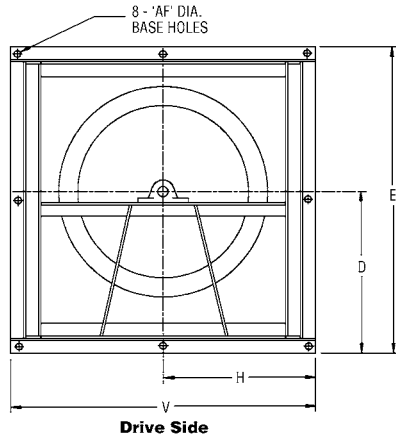


ESP Vertical Plenum AF

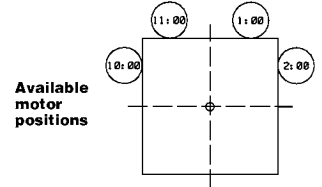
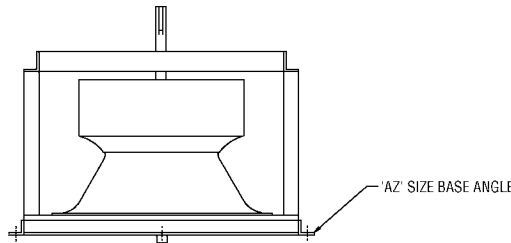
Standard & Piggyback

Arrangement 3, SWSI, Class I & II



Notes:

1. CW & CCW rotation available. Rotation and motor position are determined from side opposite inlet.
2. Max. motor applies only to piggyback mounts.
3. Refers to all frame angles unless otherwise specified.
4. Dimensions should not be used for construction. Certified drawings are available upon request.



Dimensional Data

Size	D	E	H	V	N	Class I		Class II		Y	'Z' - Class I		'Z' - Class II		AA	AB	AC	AF	AG	AJ	AX	AZ	(3.) Angle	(2.) Max. Mtr.
						W	X	W	X		Shaft	Keyway	Shaft	Keyway										
						182	17.50	34.00	16.00		32.00	19.13	26.00	15.63										
200	19.00	37.00	17.50	35.00	20.75	27.63	16.50	28.25	16.81	3.50	1.188	0.25 x 0.13	1.688	0.38 x 0.19	29.00	1.38	31.00	0.56	16.13	17.13	3.00	2.00 x 3.00	1.50 x 2.00	254T
222	21.00	41.25	19.25	38.50	22.25	29.63	17.75	30.25	18.06	4.00	1.188	0.25 x 0.13	1.688	0.38 x 0.19	32.50	1.38	35.25	0.56	17.88	19.25	3.00	2.00 x 3.00	2.00 x 2.00	254T
245	22.50	43.75	20.25	40.50	24.25	32.25	19.06	32.25	19.06	4.00	1.438	0.38 x 0.19	1.688	0.38 x 0.19	34.50	1.38	37.75	0.56	18.88	20.50	3.00	2.00 x 3.00	2.00 x 2.00	256T
270	24.50	47.25	21.75	43.50	26.25	34.50	20.06	34.50	20.06	4.00	1.688	0.38 x 0.19	1.688	0.38 x 0.19	37.50	1.38	41.25	0.56	20.38	22.25	3.00	2.00 x 3.00	2.00 x 2.00	256T
300	27.50	52.00	24.50	49.00	29.44	36.75	21.19	37.13	21.44	4.00	1.688	0.38 x 0.19	1.938	0.50 x 0.25	42.00	1.63	45.00	0.56	22.88	24.38	3.50	2.50 x 3.50	2.50 x 2.50	284T
330	30.00	56.50	26.50	53.00	32.00	39.75	23.00	40.75	23.50	4.00	1.688	0.38 x 0.19	2.188	0.50 x 0.25	46.00	1.63	49.50	0.56	24.88	26.63	3.50	2.50 x 3.50	2.50 x 2.50	286T
365	32.50	60.50	28.00	56.00	34.50	43.25	25.25	44.25	25.75	5.00	1.688	0.38 x 0.19	2.188	0.50 x 0.25	49.00	1.63	53.50	0.56	26.38	28.63	3.50	2.50 x 3.50	2.50 x 2.50	324T
402	36.00	68.00	31.00	62.00	38.69	47.50	27.38	48.13	27.88	5.00	2.188	0.50 x 0.25	2.438	0.63 x 0.31	54.00	1.88	60.00	0.56	29.13	32.13	4.00	3.00 x 4.00	3.00 x 3.00	326T
445	37.75	72.00	33.25	66.50	41.88	51.13	29.50	51.75	30.00	5.50	2.188	0.50 x 0.25	2.438	0.63 x 0.31	58.50	1.88	64.00	0.81	31.38	34.13	4.00	3.00 x 4.00	3.00 x 3.00	326T
490	41.50	78.00	35.50	71.00	45.63	55.38	31.38	56.38	32.00	5.50	2.188	0.50 x 0.25	2.938	0.75 x 0.38	63.00	1.88	70.00	0.81	33.63	37.13	4.00	3.00 x 4.00	3.00 x 3.00	326T
542	44.50	83.00	38.50	77.00	50.75	62.25	35.75	64.00	36.88	6.00	2.688	0.63 x 0.31	3.438	0.88 x 0.44	69.00	1.88	75.00	0.81	36.63	39.63	4.00	3.00 x 4.00	3.00 x 4.00	326T

Dimensions in inches.

<p>PENNBARRY™</p> <p>1401 North Plano Road, Richardson, TX 75081 Ph: 972.234.3202 Fax: 972.497.0468 www.PennBarry.com</p>	<h2 style="margin: 0;">Submittal Sheet</h2> <h3 style="margin: 0;">ESP Vertical Plenum AF</h3> <h4 style="margin: 0;">Standard & Piggyback</h4> <h4 style="margin: 0;">Arrangement 3, SWSI, Class I & II</h4>
--	---

This drawing illustrates our understanding of order requirements. When approved, it represents details for fabrication, as such, PennBarry will not be responsible for revisions in the field or other changes after release for fabrication. Published and protected by PennBarry, Richardson, TX. All rights reserved. May not be reproduced partially or in full without permission from the publisher. No rights conveyed to manufacture partially or in full, use or sell either the method of construction represented or any invention in any way related thereto.