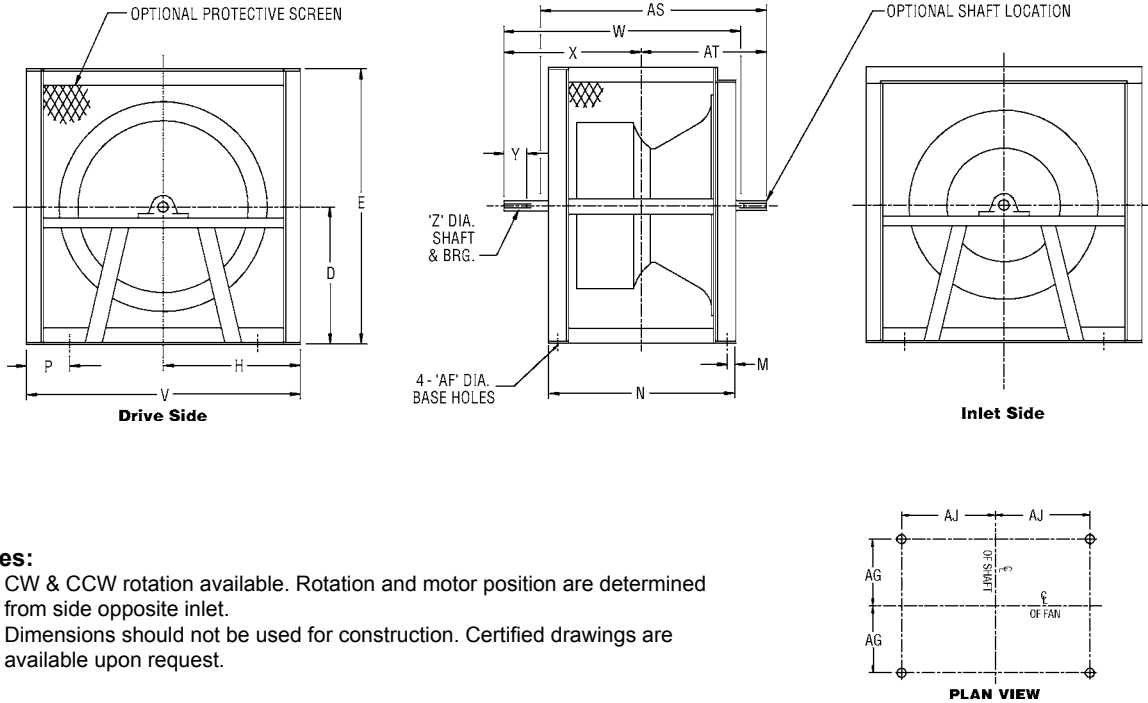


ESP Horizontal Plenum AF Arrangement 3, SWSI, Class III



Notes:

1. CW & CCW rotation available. Rotation and motor position are determined from side opposite inlet.
2. Dimensions should not be used for construction. Certified drawings are available upon request.

Dimensional Data

Size	D	E	H	V	N	W	X	Y	Z		AS	AT	P	M	AF	AG	AJ	Angle
									Shaft	Keyway								
542	40.50	75.00	34.50	69.00	52.88	69.00	40.00	9.00	3.438	0.88 x 0.44	69.25	40.50	7.38	2.38	0.81	24.06	27.13	5.00 x 3.50
600	44.50	82.00	37.50	75.00	57.50	74.63	43.13	9.50	3.938	1.00 x 0.50	74.63	43.38	7.38	2.38	0.81	26.38	30.13	5.00 x 3.50
660	49.00	90.00	41.00	82.00	64.63	80.25	46.13	10.00	3.938	1.00 x 0.50	80.25	46.50	8.38	2.88	0.81	29.44	32.63	6.00 x 4.00
730	46.00	92.00	46.00	92.00	70.13	87.25	49.88	10.50	4.438	1.00 x 0.50	86.75	49.63	9.38	2.88	0.81	32.16	36.63	6.00 x 4.00
807	48.50	97.00	48.50	97.00	76.13	93.25	53.00	10.50	4.938	1.25 x 0.63	92.63	52.63	8.13	2.88	0.81	35.19	40.38	6.00 x 4.00
890	54.00	108.00	54.00	108.00	82.38	100.00	56.63	11.00	4.938	1.25 x 0.63	99.38	56.25	8.13	2.88	0.81	38.31	45.88	6.00 x 4.00

Dimensions in inches.



PENNBARRY™

1401 North Plano Road, Richardson, TX 75081
Ph: 972.234.3202 Fax: 972.497.0468
www.PennBarry.com

Submittal Sheet ESP Horizontal Plenum AF Arrangement 3, SWSI, Class III