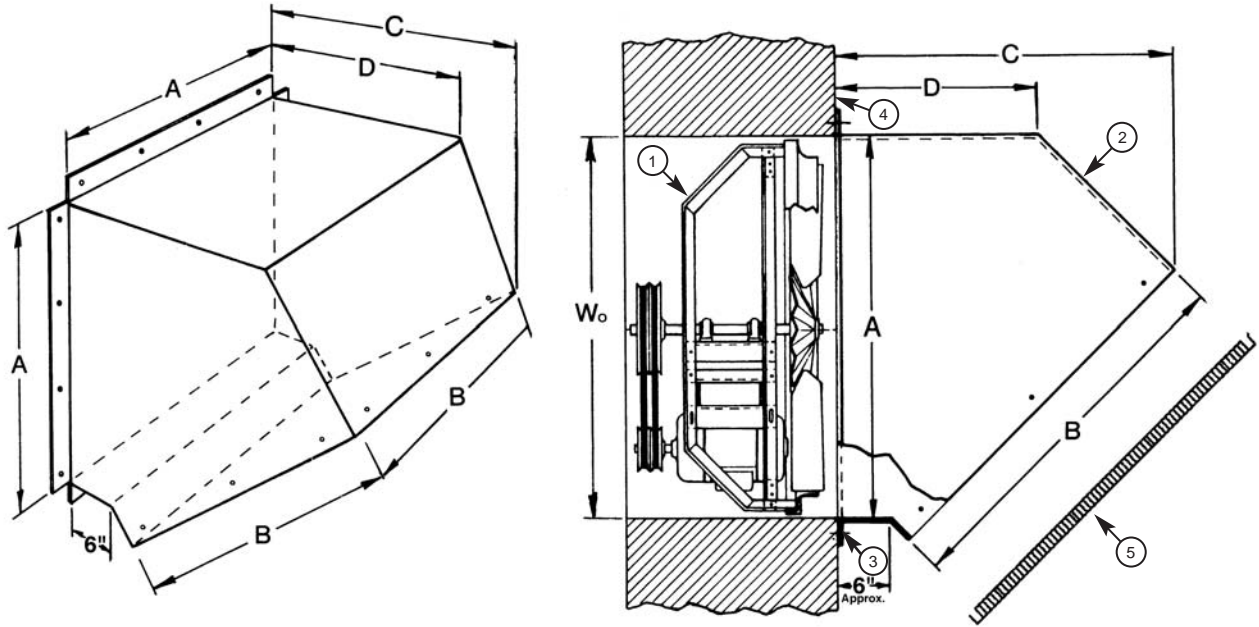


# Breezeway Weathershield with Front Guard Models: P/BC/BCH



### Legend

- |                                      |                      |
|--------------------------------------|----------------------|
| 1. Breezeway Fan (P, BC, BLL or BCH) | 4. Wall (By Others)  |
| 2. Weathershield                     | 5. Guard (Removable) |
| 3. Mounting Flange                   |                      |

### Dimensional Data

	Size												
	10	12	16	18	20	24*	24	30	36	42	48	54	60
<b>W<sub>0</sub></b>	15 3/4	17 3/4	23 1/2	25	27 1/2	33 1/4	28 3/4	34 3/4	40 3/4	46 3/4	55	61	67
<b>A</b>	15 1/4	17 1/4	23	24 1/2	27	32 3/4	28 1/4	34 1/4	40 1/4	46 1/4	54 1/4	60 1/4	66 1/4
<b>B</b>	15 1/4	17 1/4	23	24 1/2	27	32 3/4	28 1/4	34 1/4	40 1/4	46 1/4	54 1/4	60 1/4	66 1/4
<b>C</b>	18 3/8	19 11/16	23 3/4	24 13/16	26 9/16	30 1/2	27 3/8	31 3/4	36 5/8	41	45 3/4	49 5/8	54 5/8
<b>D</b>	12 3/8	13 1/8	15 1/2	16 1/8	17 1/4	19 1/2	17 5/8	20 1/4	23 3/8	25 7/8	28 3/8	31	34 1/4

\*Type P only

All dimensions in inches.

**Material:** Galvanized

<p style="font-weight: bold; margin: 0;">PENN BARRY™</p> <p style="font-size: small; margin: 0;">1401 North Plano Road, Richardson, TX 75081 Ph: 972.234.3202 Fax: 972.497.0468 www.PennBarry.com</p>	<h2 style="margin: 0;">Submittal Sheet</h2> <h3 style="margin: 0;">Breezeway - P/BC/BCH</h3> <h3 style="margin: 0;">Weathershield</h3>
---	--

This drawing illustrates our understanding of order requirements. When approved, it represents details for fabrication, as such, PennBarry will not be responsible for revisions in the field or other changes after release for fabrication. Published and protected by PennBarry, Richardson, TX. All rights reserved. May not be reproduced partially or in full without permission from the publisher. No rights conveyed to manufacture partially or in full, use or sell either the method of construction represented or any invention in any way related thereto.