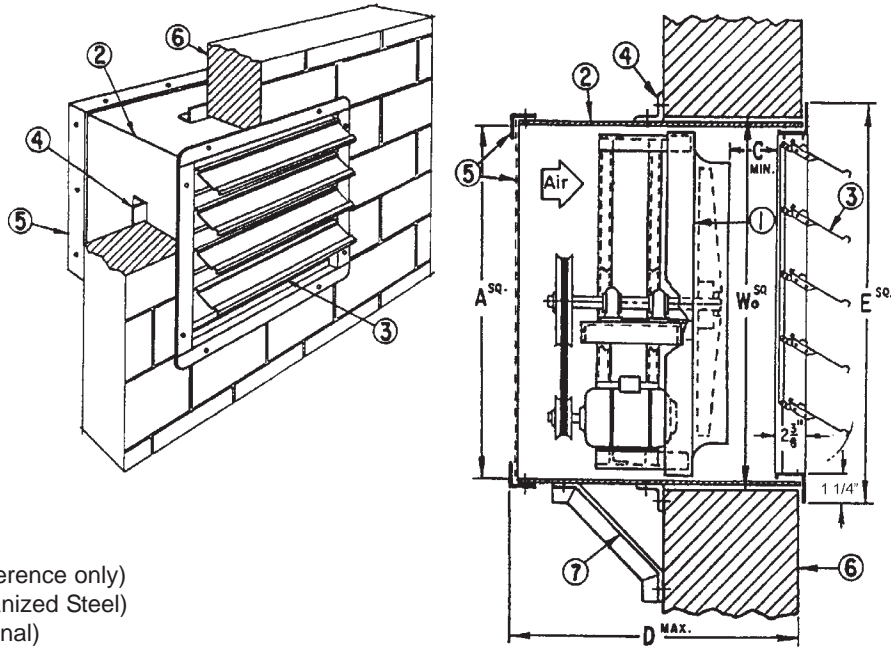


Breezeway Wall Sleeve with Rear Guard (Shown with Wall Shutter) Models: P/BC/BCH



Legend

1. Fan (shown for reference only)
2. Wall Sleeve (Galvanized Steel)
3. Wall Shutter (Optional)
4. Movable Perimeter Angle Frame
5. Removable Rear Guard
6. Wall (By Others)
7. Angle Support (By Others)

Notes:

1. Wall shutter shipped separately when required.
2. Guards should be installed when fans are located within seven feet of floor and/or working level, or within reach of personnel. (Review OSHA codes).


Dimensional Data

	Size												
	10	12	16	18	20	24*	24	30	36	42	48	54	60
W^{sq.}	15 3/4	17 3/4	23 1/2	25	27 1/2	33	28 3/4	34 3/4	40 3/4	46 3/4	55	61	67
A^{sq.}	15 1/4	17 1/4	23	24 1/2	27	32 1/2	28 1/4	34 1/4	40 1/4	46 1/4	54 1/4	60 1/4	66 1/4
C^{MIN.}	4	4	4	4	5	5	6	6	6	6	7	7 1/2	7 1/2
D^{MAX.}	18 3/4	18 3/4	22 3/4	23	24 3/4	30 3/4	30 3/4	35	38	44	47 1/2	48	48
E	17 1/4	19 1/2	25 1/4	26 3/4	29 1/4	34 3/4	30 1/2	36 1/2	42 1/2	48 1/2	56 1/2	62 1/2	68 1/2

*Type P only

All dimensions in inches.

Material: Galvanized Steel



PENN BARRY™

1401 North Plano Road, Richardson, TX 75081
Ph: 972.234.3202 Fax: 972.497.0468
www.PennBarry.com

Submittal Sheet

Breezeway - Models P/BC/BCH

Wall Sleeve with Shutter and Rear Guard

Sizes 10 through 60

This drawing illustrates our understanding of order requirements. When approved, it represents details for fabrication, as such, PennBarry will not be responsible for revisions in the field or other changes after release for fabrication. Published and protected by PennBarry, Richardson, TX. All rights reserved. May not be reproduced partially or in full without permission from the publisher. No rights conveyed to manufacture partially or in full, use or sell either the method of construction represented or any invention in any way related thereto.